



US00D978059S

(12) **United States Design Patent** (10) **Patent No.:** **US D978,059 S**
Huang (45) **Date of Patent:** **** Feb. 14, 2023**

(54) **BICYCLE CARRIER**
(71) Applicant: **YOTTA INNOVATION CO., LTD.**,
Apia (WS)
(72) Inventor: **Stella Huang**, Taipei (TW)
(73) Assignee: **YOTTA INNOVATION CO., LTD.**,
Apia (WS)
(**) Term: **15 Years**
(21) Appl. No.: **29/761,738**
(22) Filed: **Dec. 11, 2020**
(51) **LOC (14) Cl.** **12-16**
(52) **U.S. Cl.**
USPC **D12/408**
(58) **Field of Classification Search**
USPC D12/111, 406, 407, 408, 412, 414
CPC B60R 9/06; B60R 9/10; B60R 11/00
See application file for complete search history.

D720,259 S * 12/2014 Hutto D12/111
D725,792 S * 3/2015 Cullen D25/38.1
D727,831 S * 4/2015 Eriksson D12/407
9,102,280 B1 * 8/2015 Crawford B60R 9/10
D885,584 S * 5/2020 Lopez D24/188
D900,223 S * 10/2020 Meyer D21/302
D908,457 S * 1/2021 Meyers D8/315
11,472,502 B1 * 10/2022 Huang B62H 3/06

OTHER PUBLICATIONS

Fressia Eames. "Yakima Ridgeback Bike Rack Review." Tool Review., Dec. 16, 2019 [online], [retrieved on Oct. 19, 2022]. Retrieved from the Internet <URL: <https://www.twowheelingtots.com/yakima-ridgeback-review/>>.*

(Continued)

Primary Examiner — Darlington Ly
(74) *Attorney, Agent, or Firm* — Muncy, Geissler, Olds & Lowe, P.C.

(57) **CLAIM**

I claim the ornamental design for a bicycle carrier, as shown and described.

(56) **References Cited**

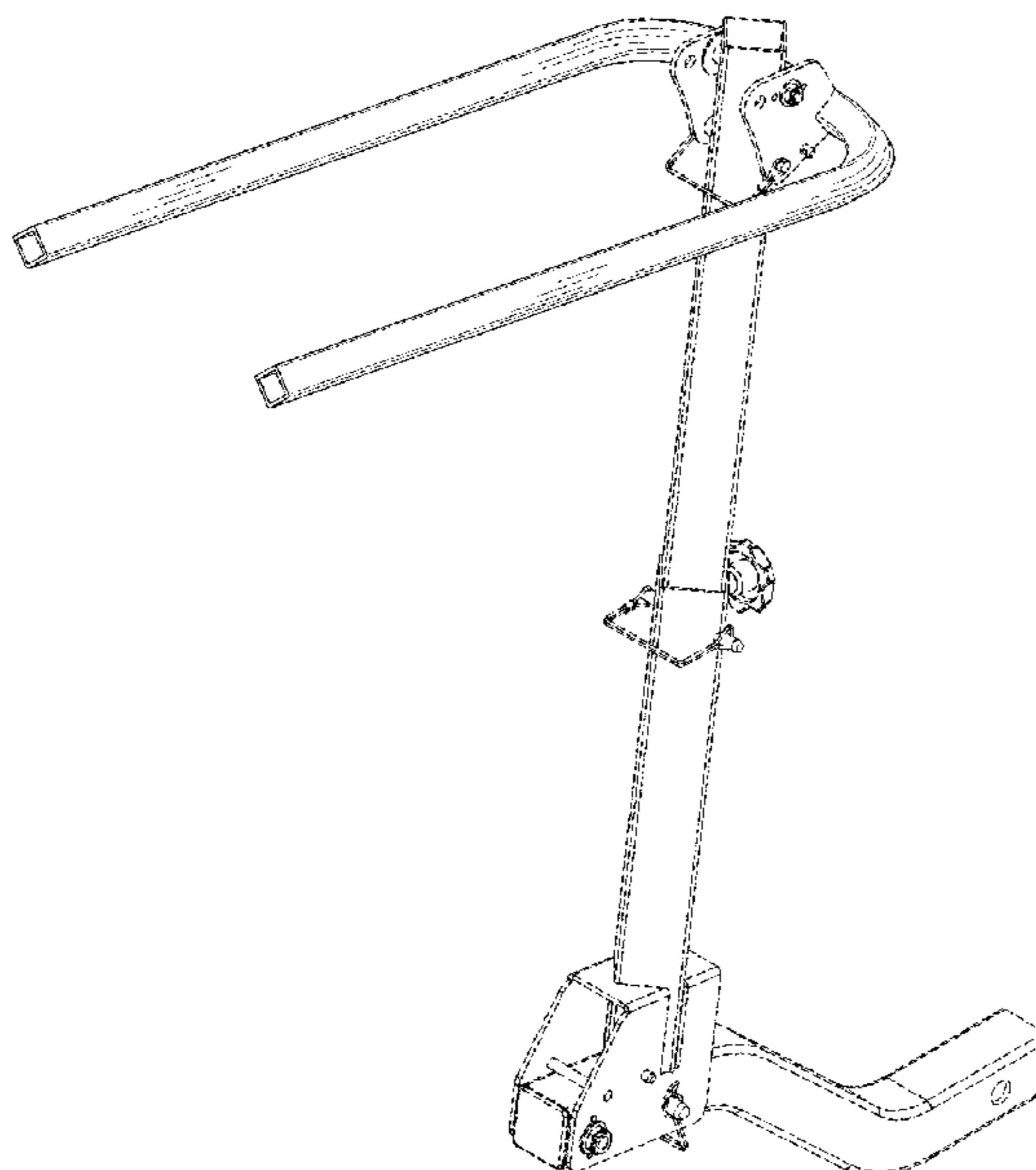
U.S. PATENT DOCUMENTS

D294,564 S * 3/1988 Stoecker D12/408
D336,879 S * 6/1993 Chen D12/407
D608,723 S * 1/2010 Flaherty D12/408
D614,562 S * 4/2010 Flaherty D12/408
D614,563 S * 4/2010 Flaherty D12/408
D614,564 S * 4/2010 Flaherty D12/408
D625,247 S * 10/2010 Flaherty D12/408
D632,635 S * 2/2011 Farber D12/408
D632,637 S * 2/2011 Farber D12/408
D632,638 S * 2/2011 Farber D12/408
D633,854 S * 3/2011 Farber D12/408
D634,259 S * 3/2011 Farber D12/408
D634,260 S * 3/2011 Farber D12/408
D654,157 S * 2/2012 Gilbert D23/304
D666,036 S * 8/2012 Blakley D6/519
D680,782 S * 4/2013 Longo D23/304
D706,209 S * 6/2014 Flaherty D12/407

DESCRIPTION

FIG. 1 is a top, front, right perspective view of a bicycle carrier showing my new design;
FIG. 2 is a front elevational view thereof;
FIG. 3 is a rear elevational view thereof;
FIG. 4 is a left side view thereof;
FIG. 5 is a right side view thereof;
FIG. 6 is a top plan view thereof;
FIG. 7 is a bottom plan view thereof; and,
FIG. 8 is a top, front, right perspective view showing the bicycle carrier in use.
The broken lines in the drawings illustrate portions of the bicycle carrier which form no part of the claimed design.

1 Claim, 8 Drawing Sheets



(56)

References Cited

OTHER PUBLICATIONS

“Download Yakima RidgeBack 2 Installation Instructions Manual.” Yakima., Oct. 16, 2017 [online], [retrieved on Oct. 19, 2022]. Retrieved from the Internet <URL: <https://www.manualslib.com/download/1283468/Yakima-Ridgeback-2.html>>.*

Larry Moore. “10 The Best Bicycle Carrier Reviews & Buyers Guide for 2022 | Tool Review.” Tool Review., Oct. 19, 2022 [online], [retrieved on Oct. 19, 2022]. Retrieved from the Internet <URL: <https://toolreview.org/best-bicycle-carrier/>>.*

* cited by examiner

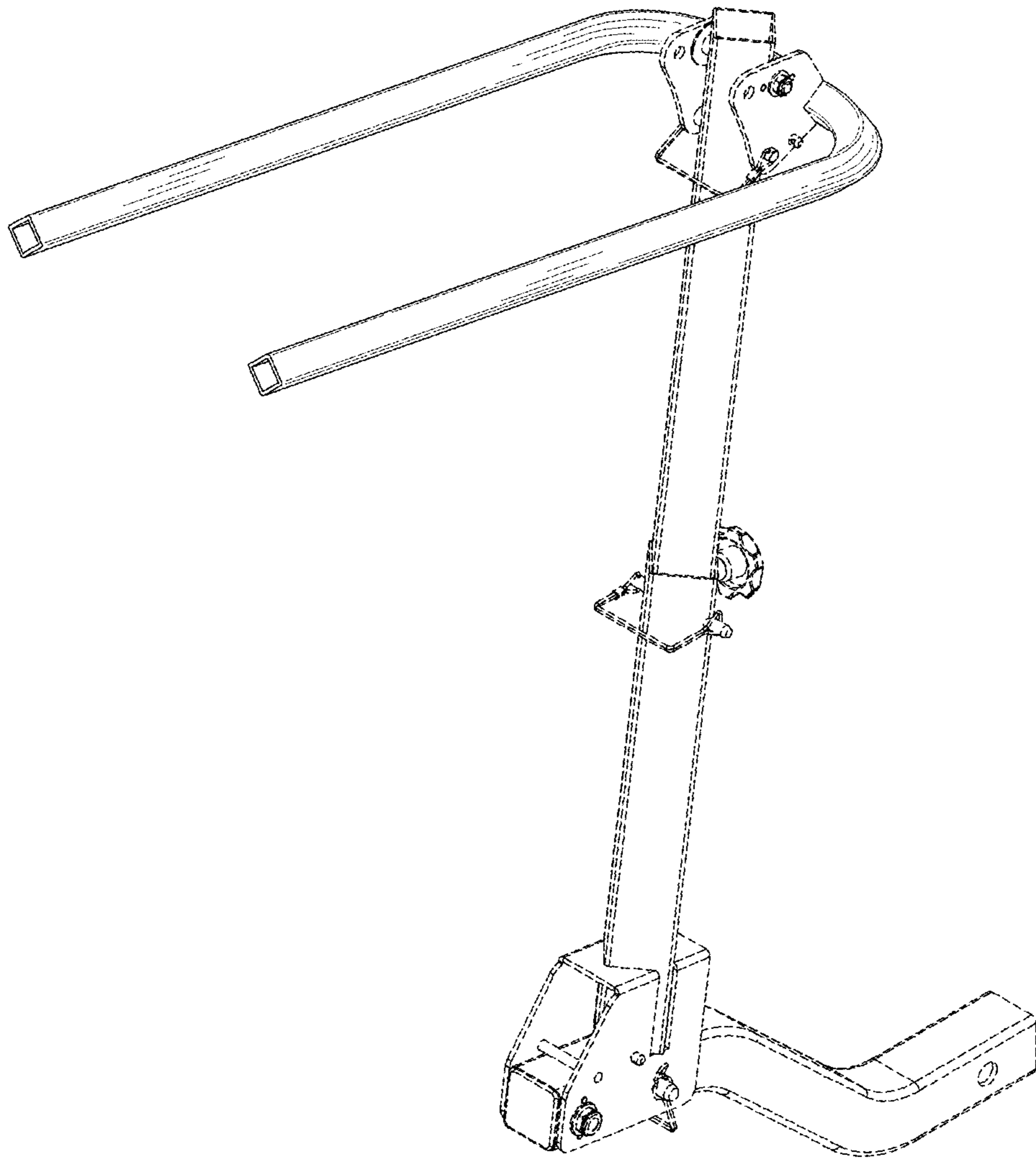


FIG. 1

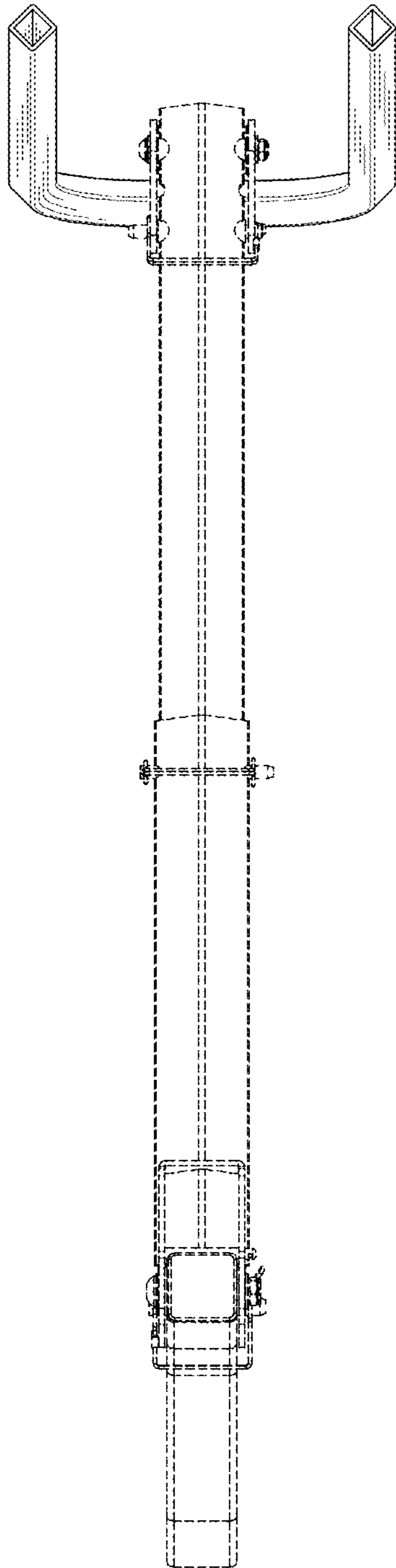


FIG. 2

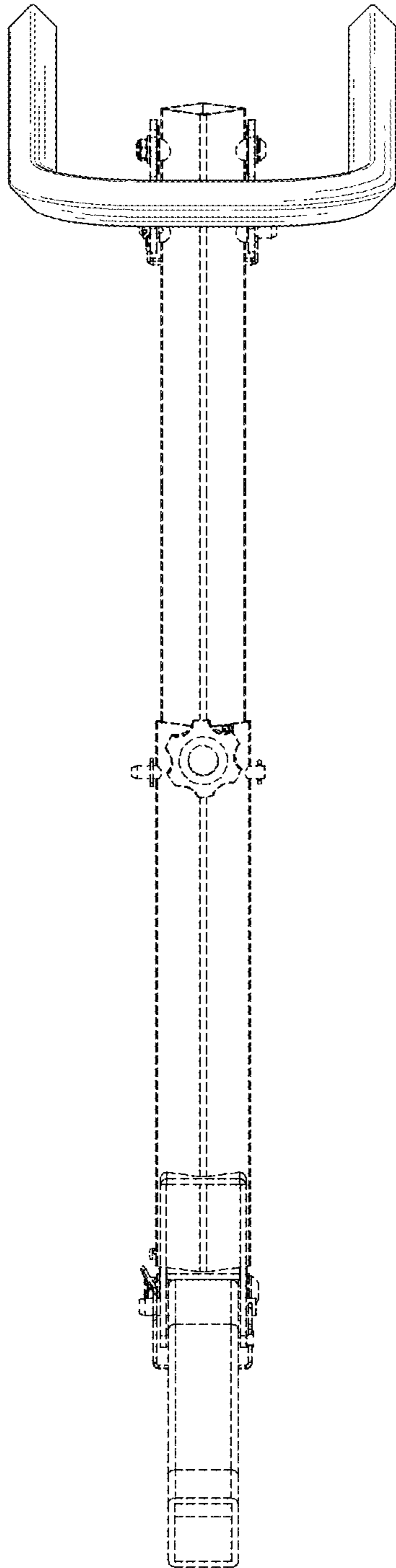


FIG. 3

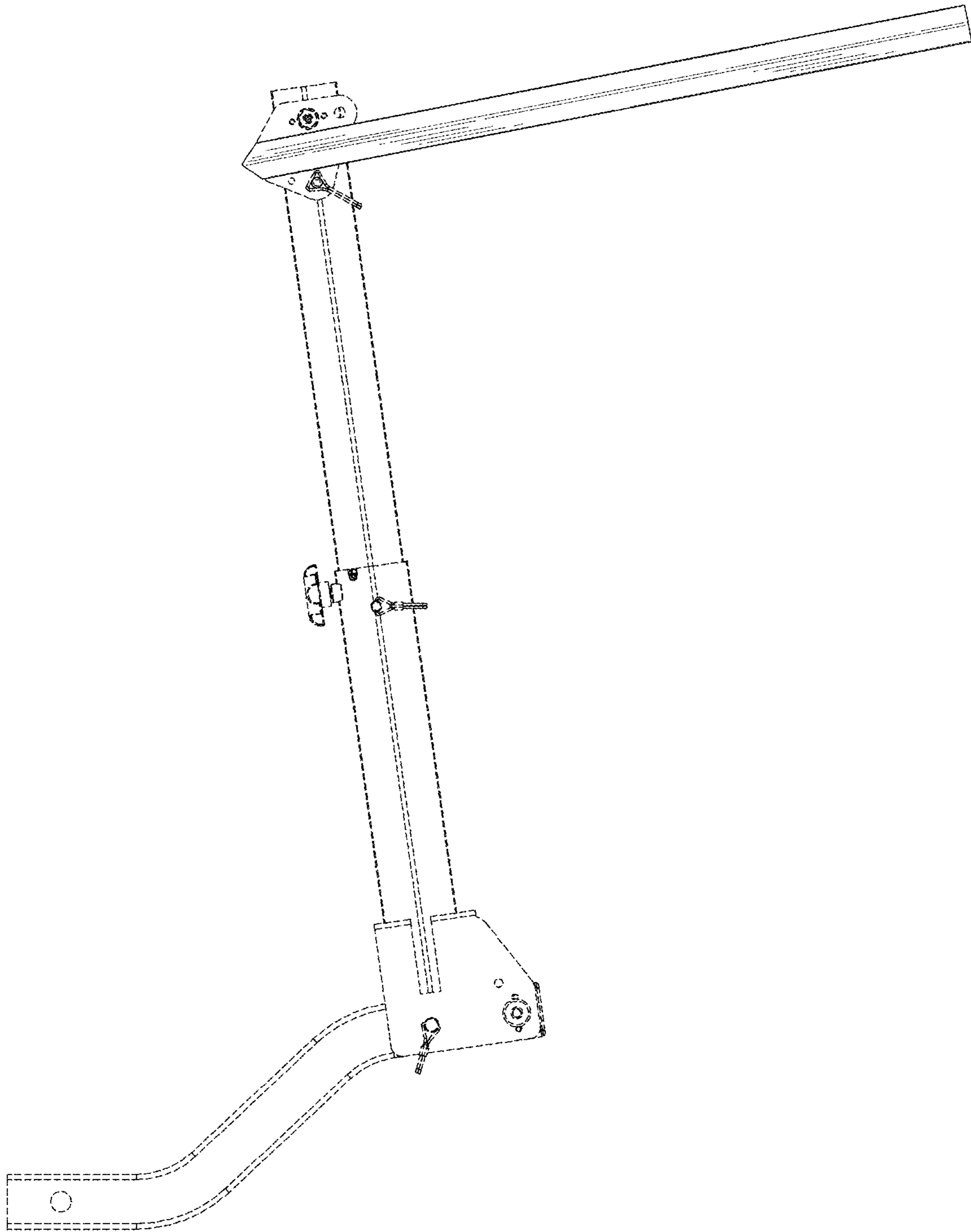


FIG. 4

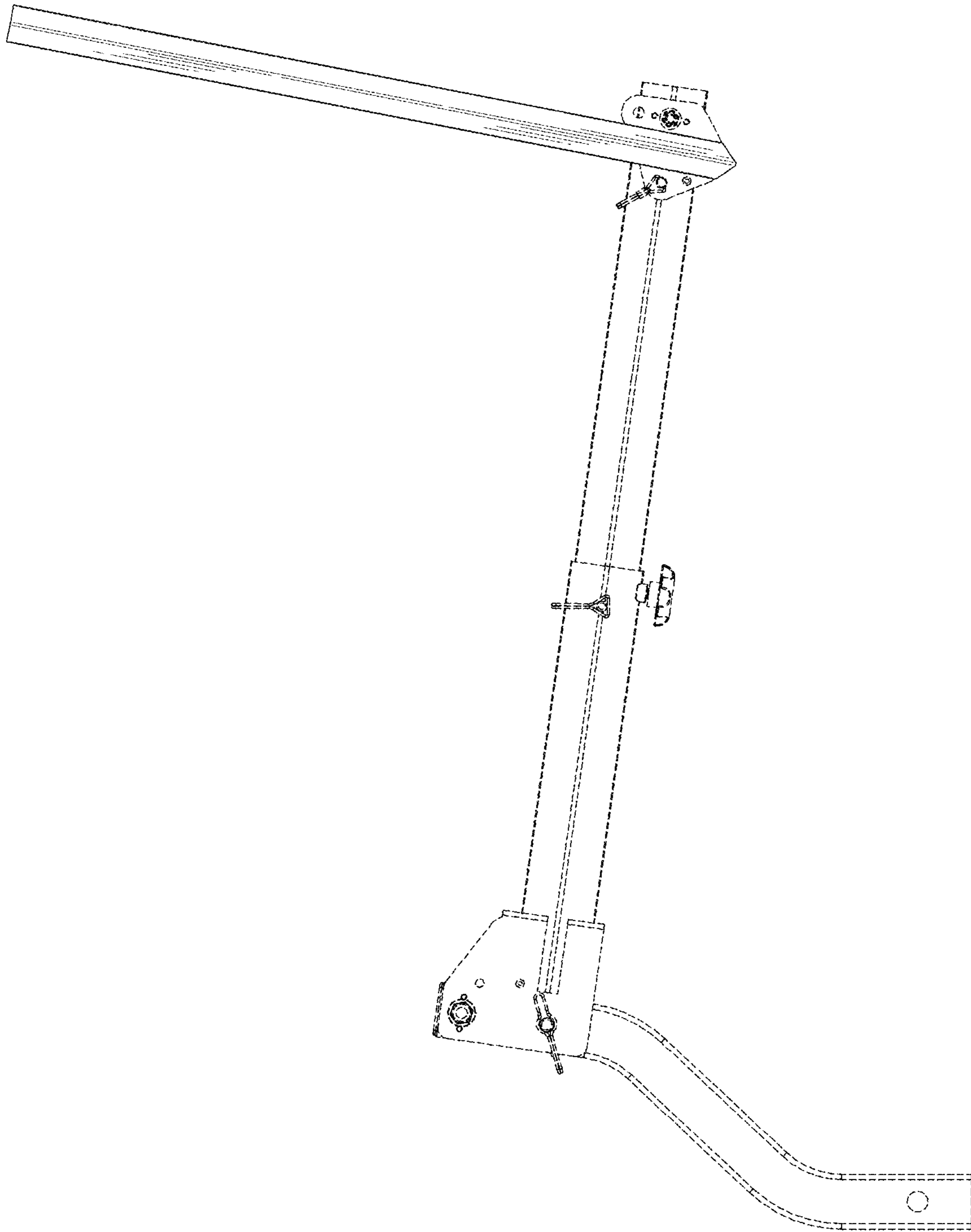


FIG. 5

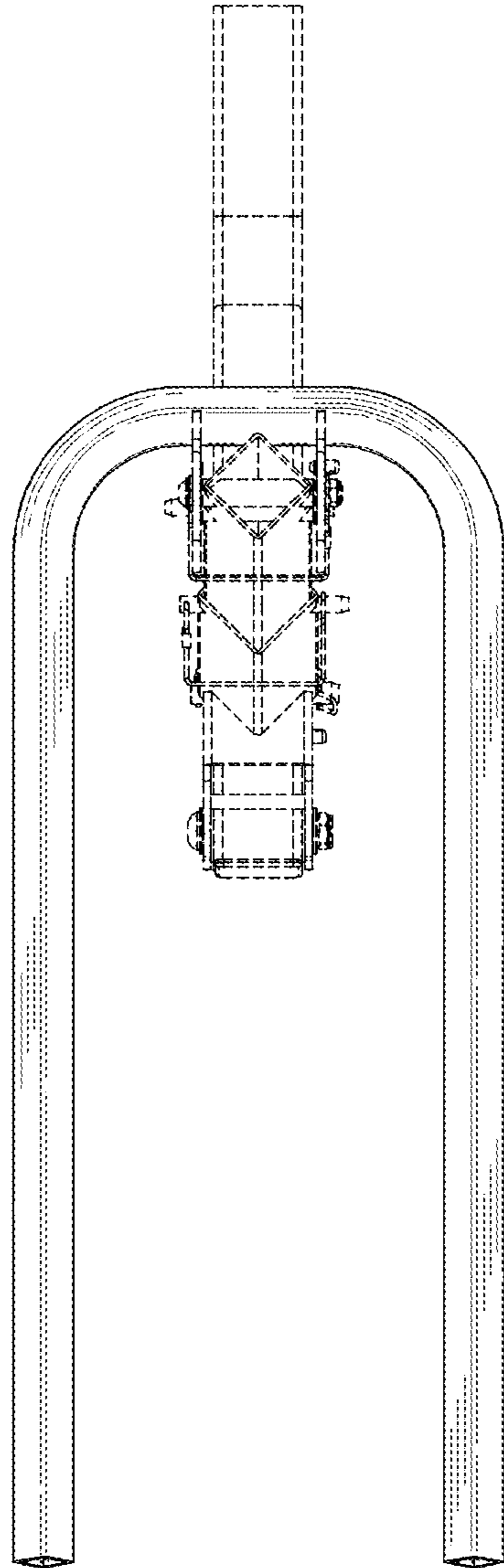


FIG. 6

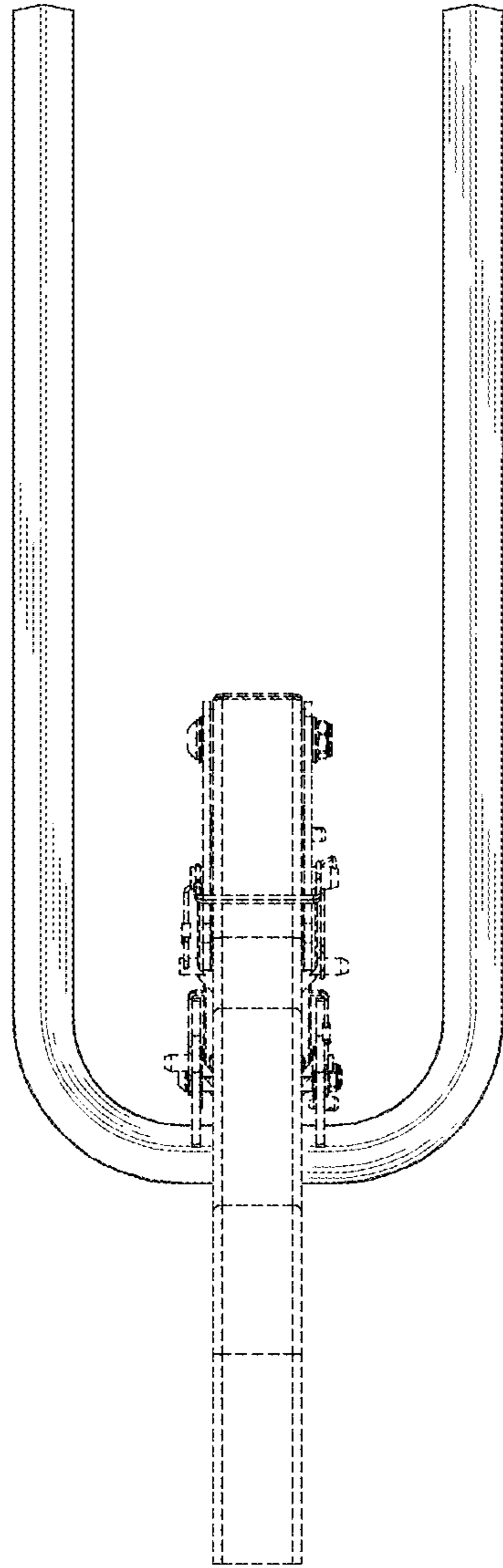


FIG. 7

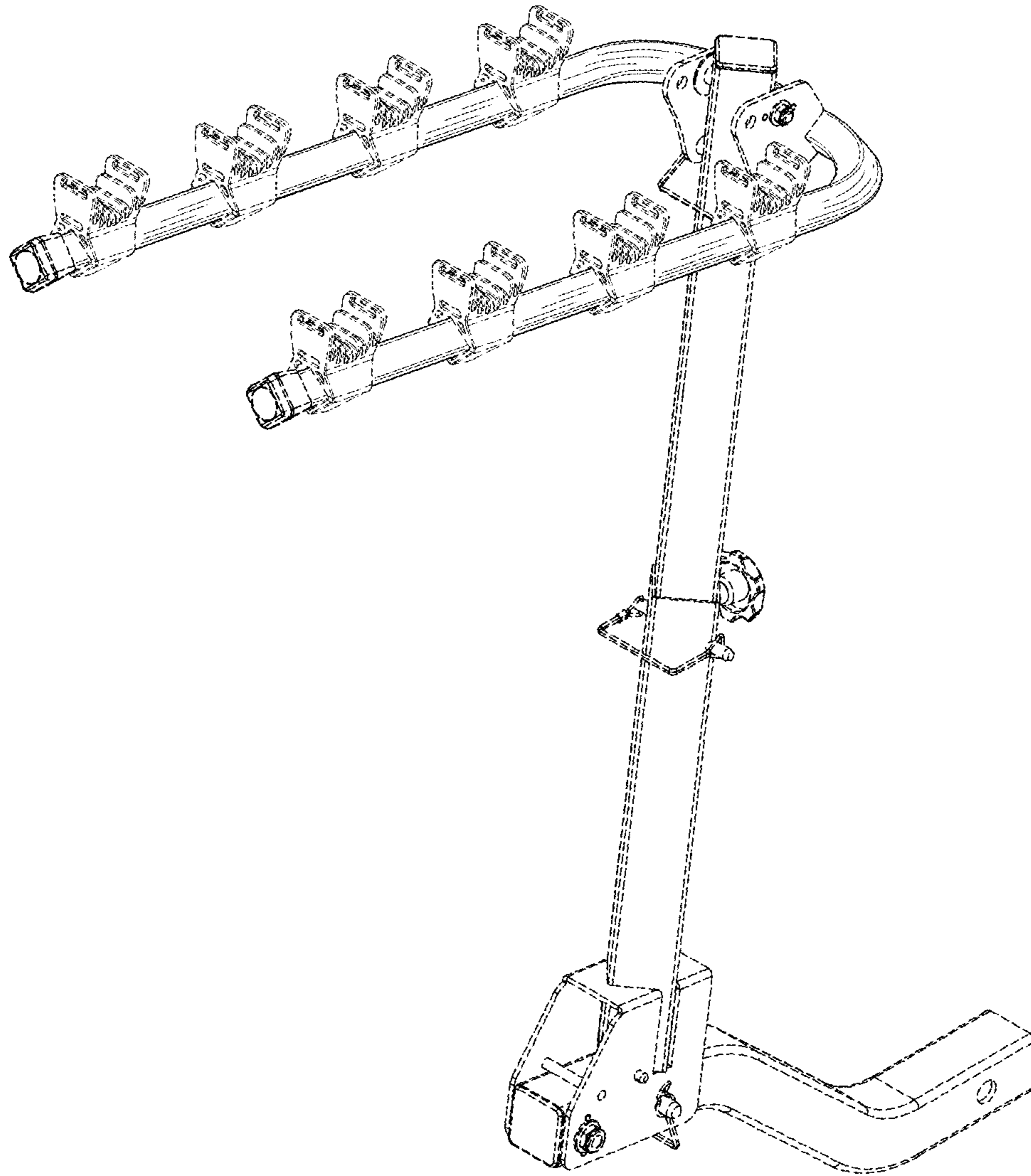


FIG. 8