



US00D978052S

(12) **United States Design Patent**
Liu et al.

(10) **Patent No.:** **US D978,052 S**
(45) **Date of Patent:** **** Feb. 14, 2023**

(54) **VEHICLE WHEEL**

(71) Applicant: **CITIC Dicastal Co., Ltd.**,
Qinhuangdao (CN)

(72) Inventors: **Zhichong Liu**, Qinhuangdao (CN);
Shiwen Xu, Qinhuangdao (CN);
Zhihua Zhu, Qinhuangdao (CN); **Zuo Xu**,
Qinhuangdao (CN)

(73) Assignee: **CITIC Dicastal Co., Ltd.**,
Qinhuangdao (CN)

(**) Term: **15 Years**

(21) Appl. No.: **29/781,696**

(22) Filed: **Apr. 30, 2021**

(51) **LOC (14) Cl.** **12-16**

(52) **U.S. Cl.**
USPC **D12/209**

(58) **Field of Classification Search**
USPC D12/204-213; D21/563
CPC B60B 7/00; B60B 7/02; B60B 7/04; B60B
7/01; B60B 7/06; B60B 3/02; B60B 3/04;
B60B 3/06; B60B 3/10; B60B 1/00;
B60B 1/08; B60B 1/10; B60B 1/12

See application file for complete search history.

(56) **References Cited**

U.S. PATENT DOCUMENTS

D504,647 S * 5/2005 Leclercq D12/209
D532,357 S * 11/2006 Pfeiffer D12/211

D609,623 S *	2/2010	Gallert	D12/209
D614,108 S *	4/2010	Varga	D12/211
D618,149 S *	6/2010	Antoniadis	D12/209
D620,419 S *	7/2010	Lamm	D12/209
D657,727 S *	4/2012	Fetherston	D12/209
D660,766 S *	5/2012	Gotschke	D12/209
D673,103 S *	12/2012	Song	D12/211
D689,807 S *	9/2013	Frenzel	D12/209
D697,014 S *	1/2014	Stolz	D12/211
D724,513 S *	3/2015	Wolff	D12/209
D727,828 S *	4/2015	Amezketta	D12/211
D730,262 S *	5/2015	Wagener	D12/211
D741,773 S *	10/2015	Juergens	D12/211
D763,161 S *	8/2016	Morgenstern	D12/211
D790,420 S *	6/2017	Peat	D12/209
D803,128 S *	11/2017	Svensson	D12/209
D852,708 S *	7/2019	Lucas	D12/211
D858,402 S *	9/2019	Betancourt	D12/209
D906,924 S *	1/2021	Liu	D12/209

* cited by examiner

Primary Examiner — Calvin E Vansant

(74) *Attorney, Agent, or Firm* — IPro, PLLC

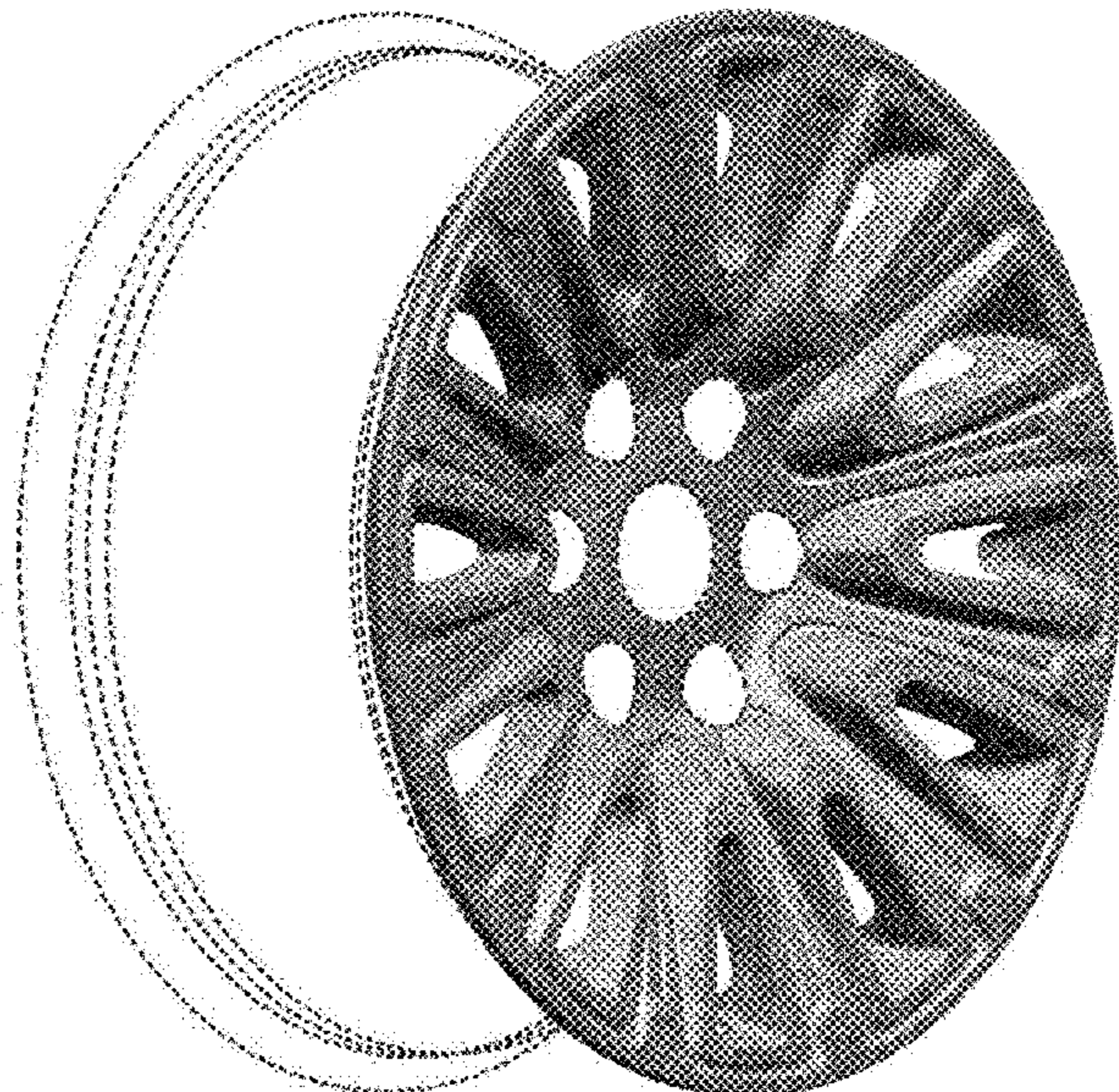
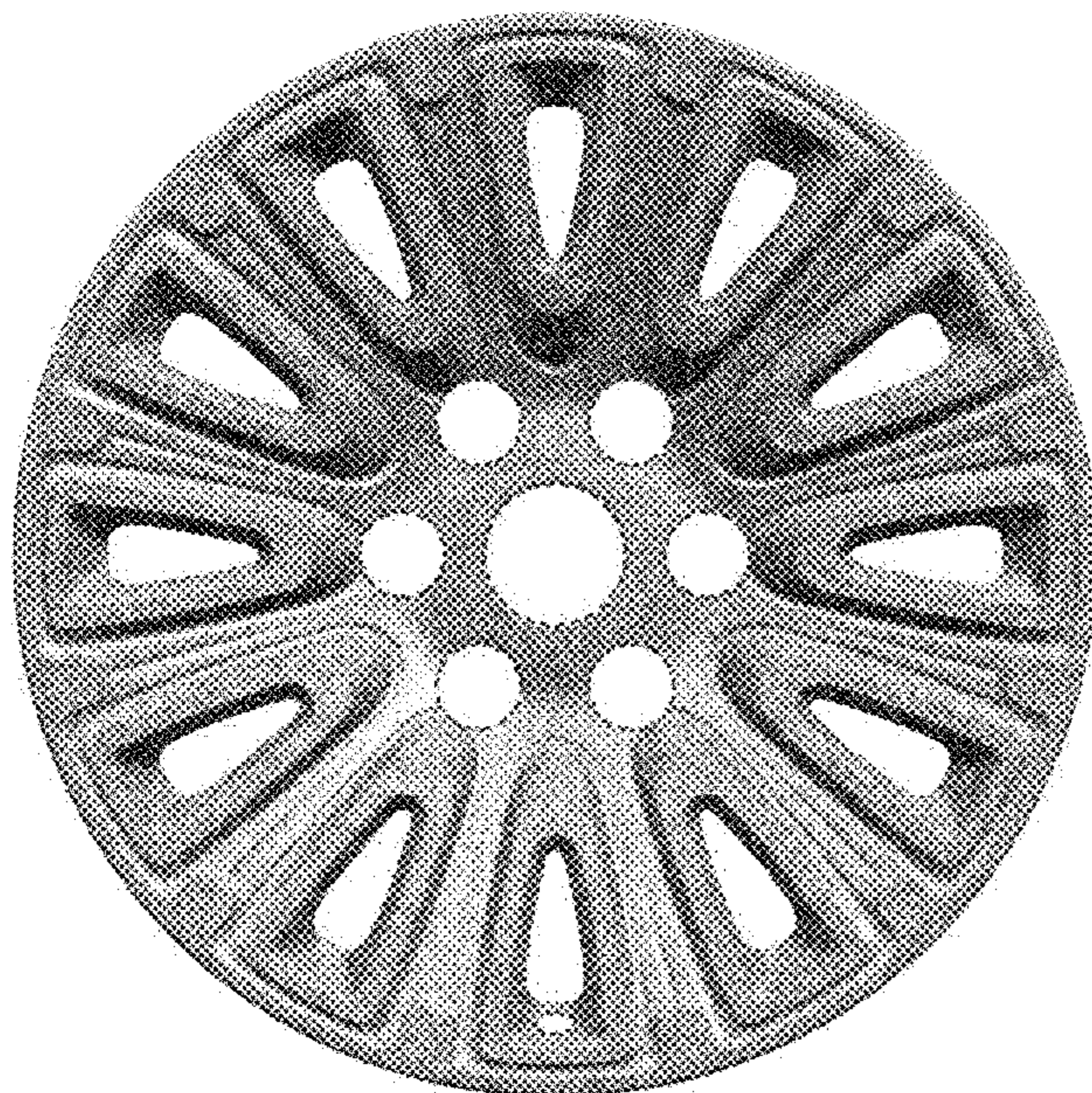
(57) **CLAIM**

The ornamental design for a vehicle wheel, as shown and described.

DESCRIPTION

FIG. 1 is a front view of a vehicle wheel.
FIG. 2 is a perspective view of the vehicle wheel; and,
FIG. 3 is a left side view of the vehicle wheel.
In the drawings the broken lines depict portions of the wheel that form no part of the claimed design.

1 Claim, 3 Drawing Sheets



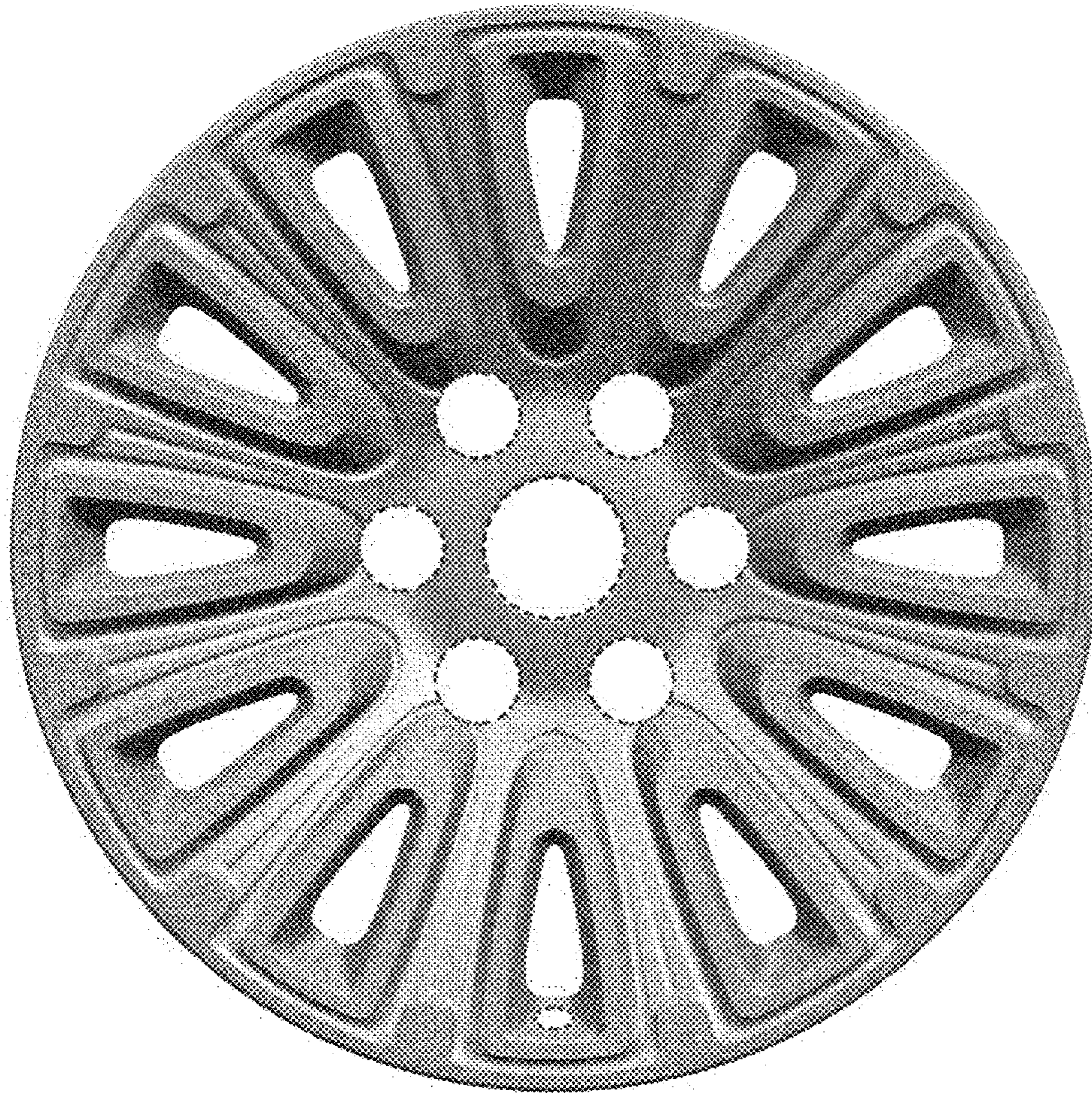


FIG. 1

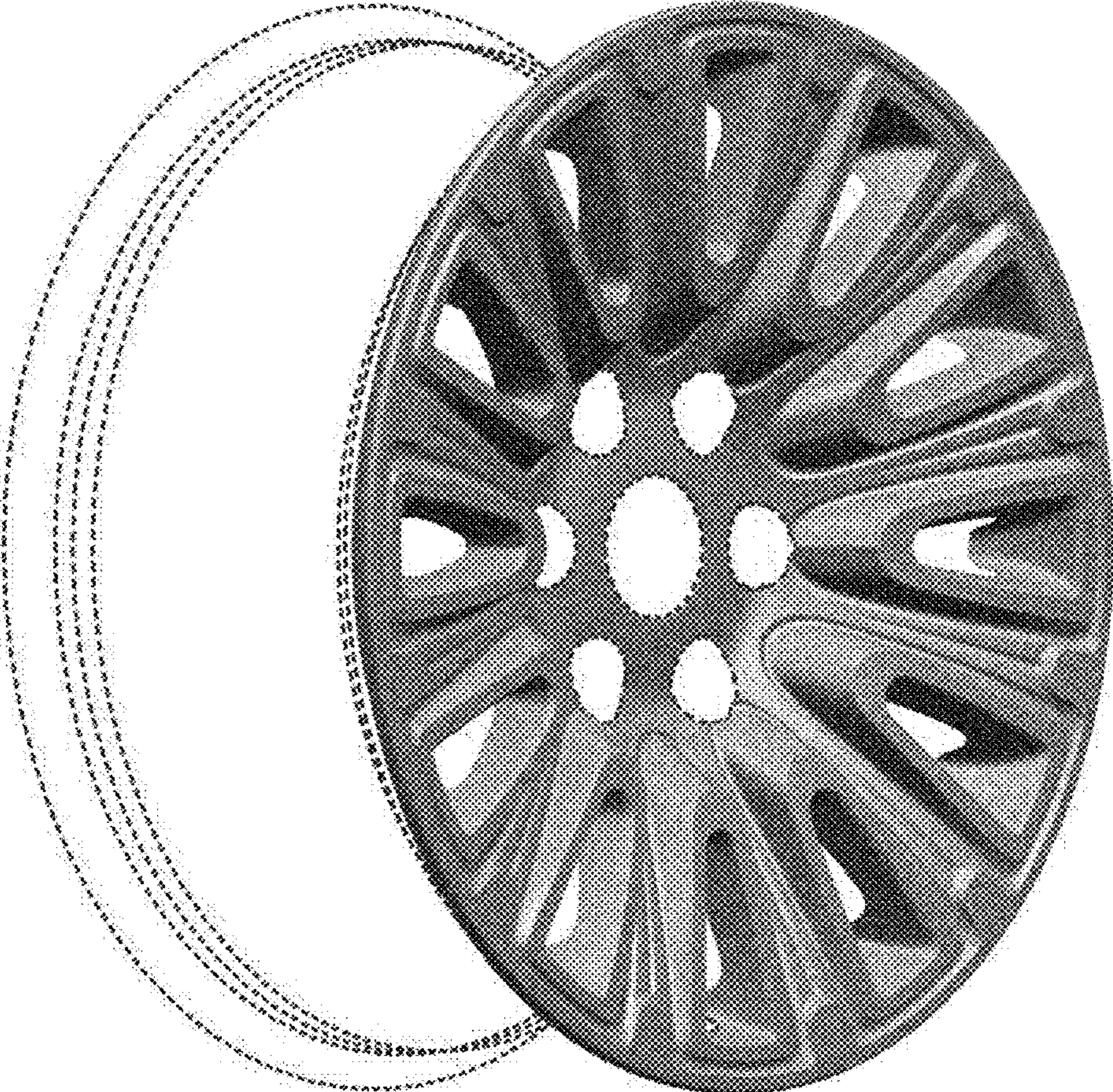


FIG. 2

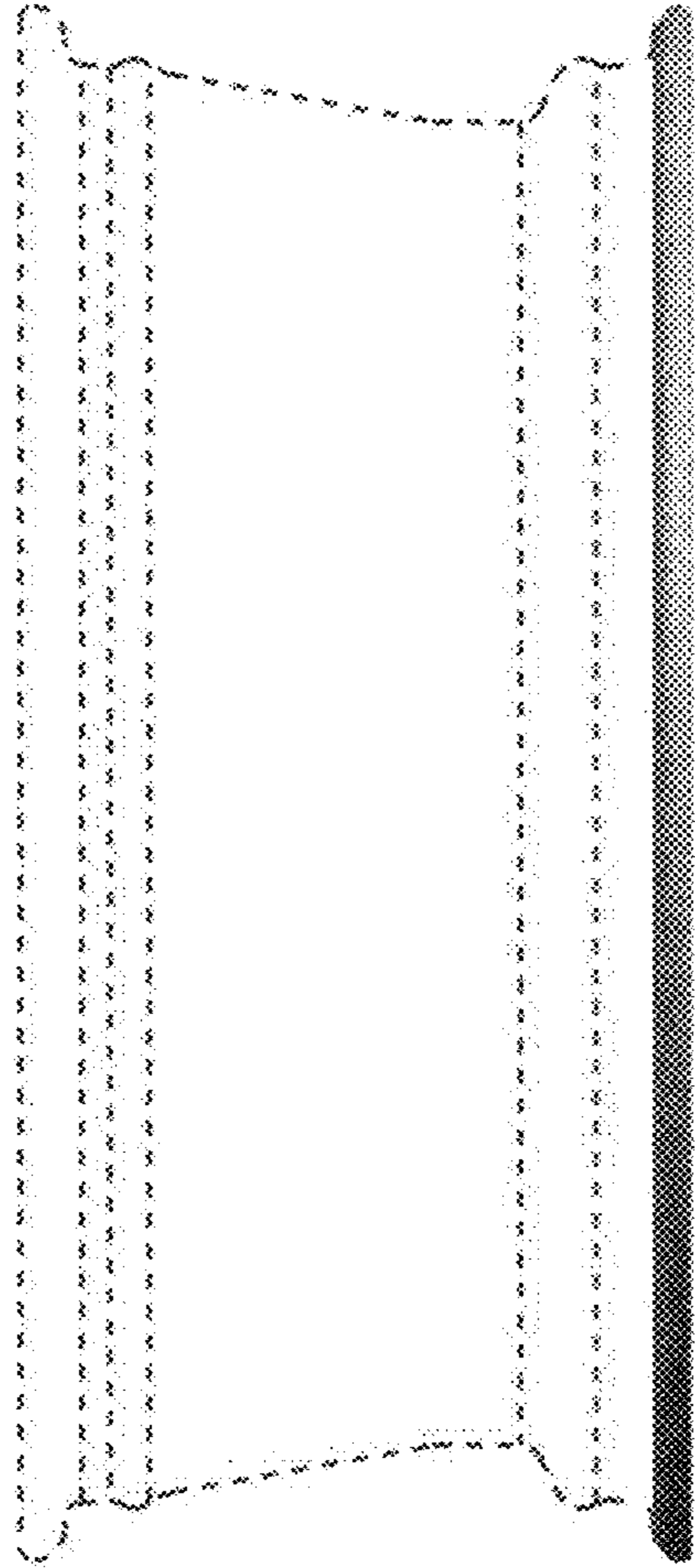


FIG. 3