



US00D978051S

(12) **United States Design Patent**  
**Liu et al.**

(10) **Patent No.:** **US D978,051 S**

(45) **Date of Patent:** **\*\* Feb. 14, 2023**

(54) **VEHICLE WHEEL**

(71) Applicant: **CITIC Dicastal Co., Ltd.**,  
Qinhuangdao (CN)

(72) Inventors: **Zhichong Liu**, Qinhuangdao (CN);  
**Shiwen Xu**, Qinhuangdao (CN);  
**Zhihua Zhu**, Qinhuangdao (CN); **Zuo Xu**, Qinhuangdao (CN)

(73) Assignee: **CITIC Dicastal Co., Ltd.**,  
Qinhuangdao (CN)

(\*\*) Term: **15 Years**

(21) Appl. No.: **29/781,691**

(22) Filed: **Apr. 30, 2021**

(51) **LOC (14) Cl.** ..... **12-16**

(52) **U.S. Cl.**  
USPC ..... **D12/209; D12/211**

(58) **Field of Classification Search**  
USPC ..... D12/204–213; D21/563  
CPC .... B60B 7/00; B60B 7/02; B60B 7/04; B60B  
7/01; B60B 7/06; B60B 3/02; B60B 3/04;  
B60B 3/06; B60B 3/10; B60B 1/00;  
B60B 1/08; B60B 1/10; B60B 1/12

See application file for complete search history.

(56) **References Cited**

**U.S. PATENT DOCUMENTS**

D454,826 S \* 3/2002 Kaucher ..... D12/211  
D471,504 S \* 3/2003 Laengerer ..... D12/211

D546,748 S \* 7/2007 Young ..... D12/211  
D553,550 S \* 10/2007 Tirado ..... D12/211  
D555,565 S \* 11/2007 Noonan ..... D12/209  
D569,323 S \* 5/2008 Laengerer ..... D12/211  
D618,156 S \* 6/2010 Zhao ..... D12/211  
D718,696 S \* 12/2014 Gotschke ..... D12/209  
D773,369 S \* 12/2016 Rueckheim ..... D12/211  
D788,679 S \* 6/2017 Yang ..... D12/211  
D837,128 S \* 1/2019 Liu ..... D12/209  
D853,308 S \* 7/2019 Valencia Pollex ..... D12/211  
D859,275 S \* 9/2019 Valencia Pollex ..... D12/211  
D877,022 S \* 3/2020 Hahn ..... D12/209  
D904,273 S \* 12/2020 Hübner ..... D12/209

\* cited by examiner

*Primary Examiner* — Calvin E Vansant

(74) *Attorney, Agent, or Firm* — IPro, PLLC

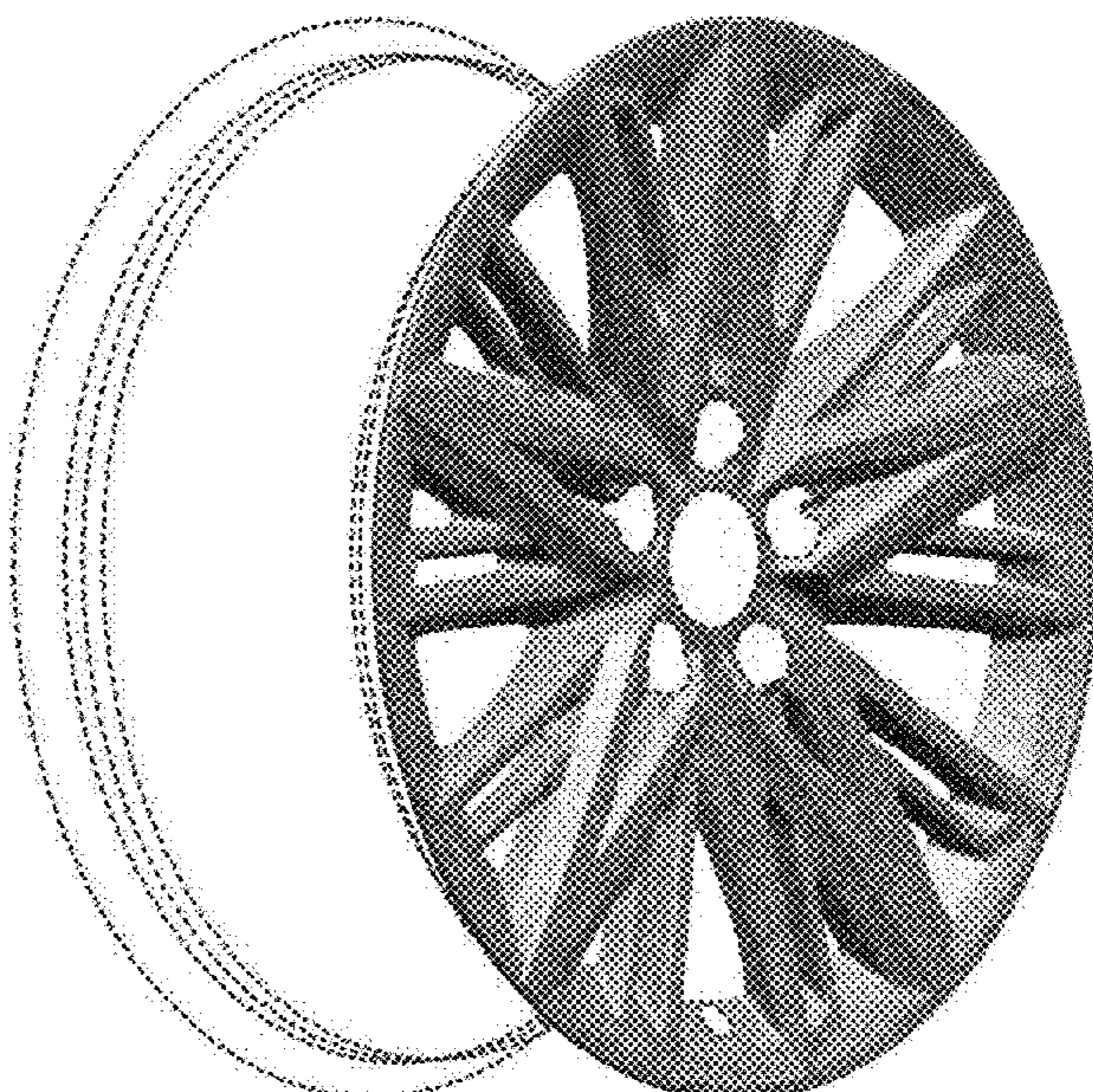
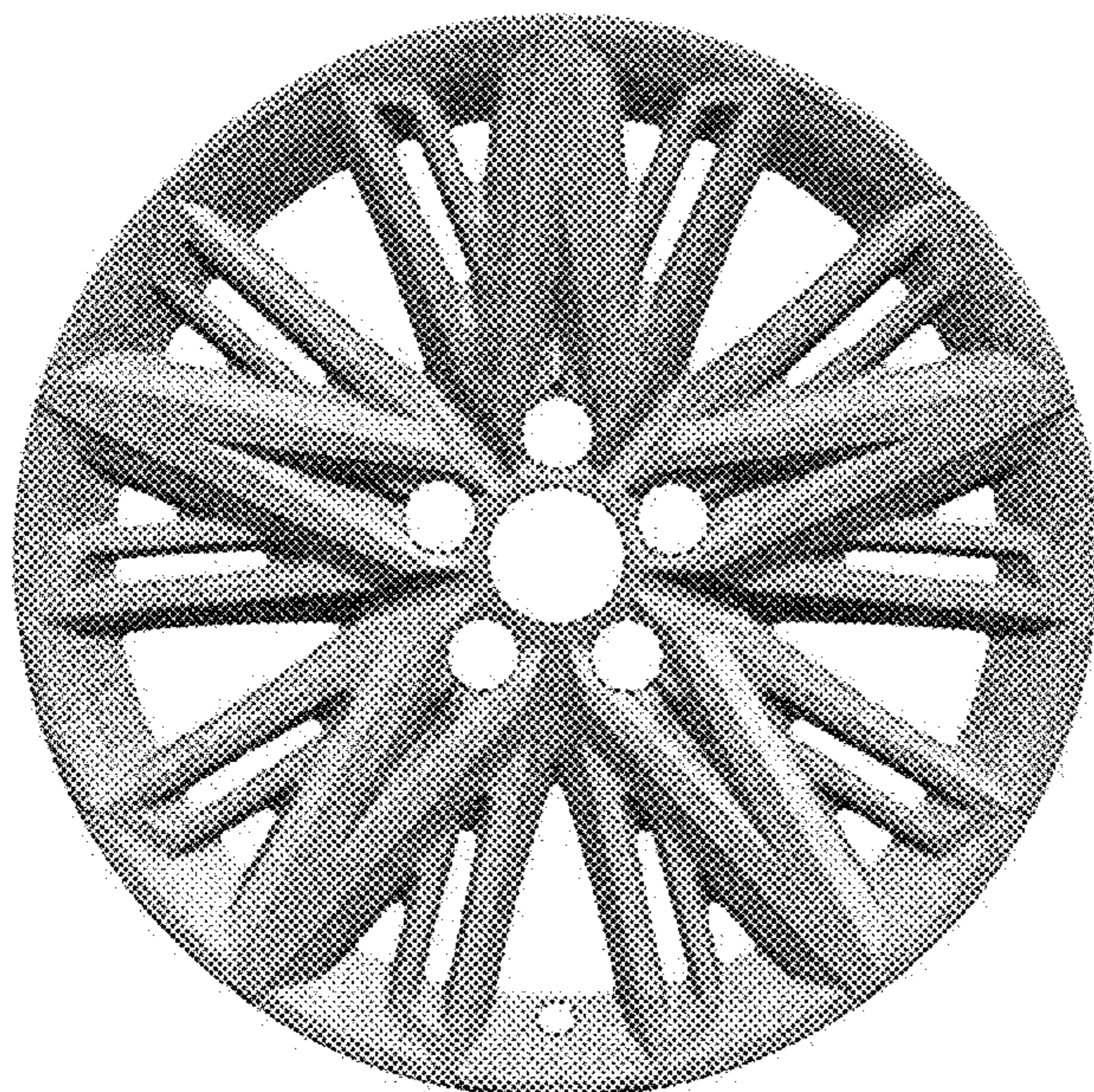
(57) **CLAIM**

The ornamental design for a vehicle wheel, as shown and described.

**DESCRIPTION**

FIG. 1 is a front view of a vehicle wheel.  
FIG. 2 is a perspective view of the vehicle wheel; and,  
FIG. 3 is a left side view of the vehicle wheel.  
In the drawings the broken lines depict portions of the wheel that form no part of the claimed design.

**1 Claim, 3 Drawing Sheets**





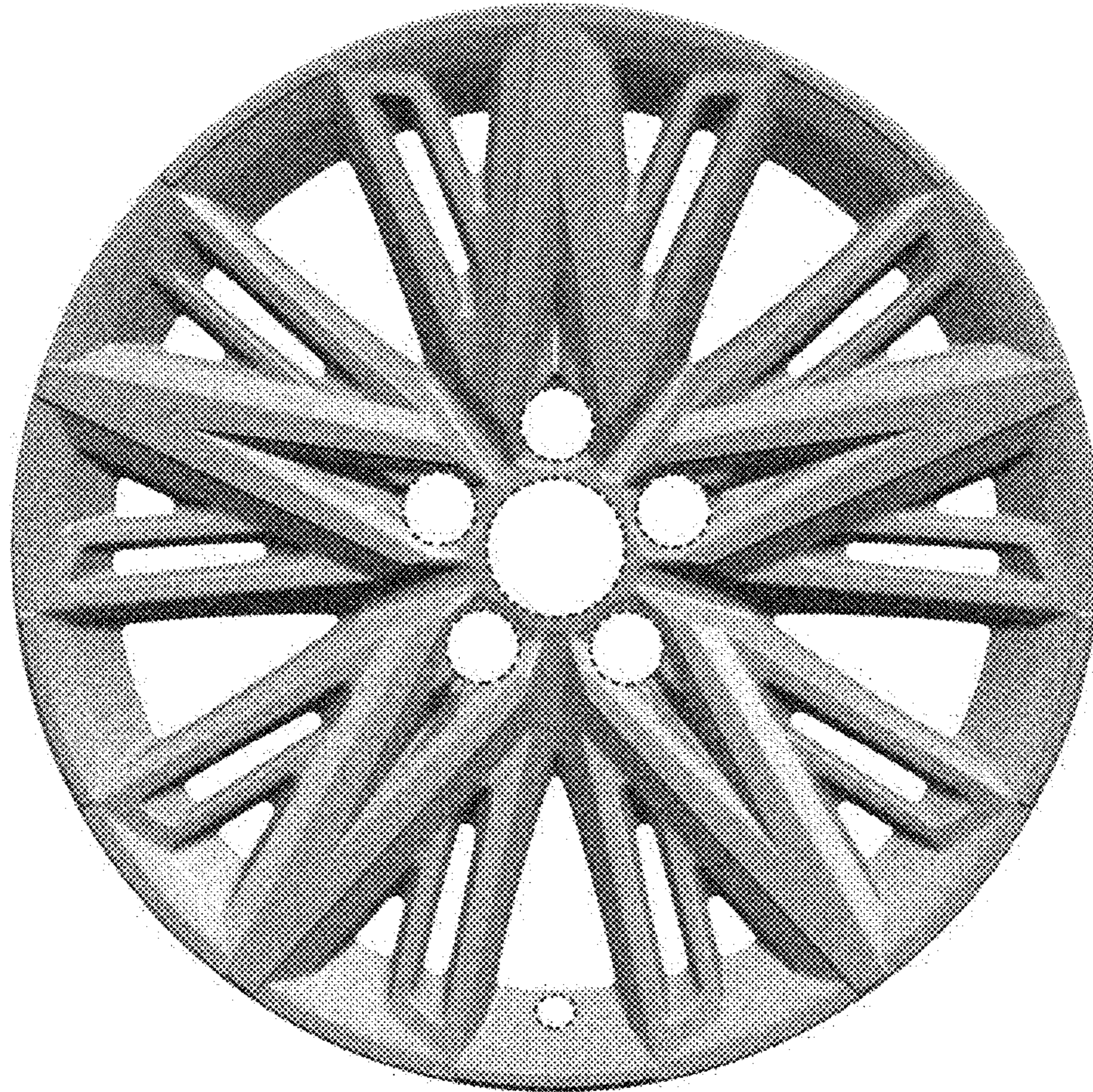


FIG. 1



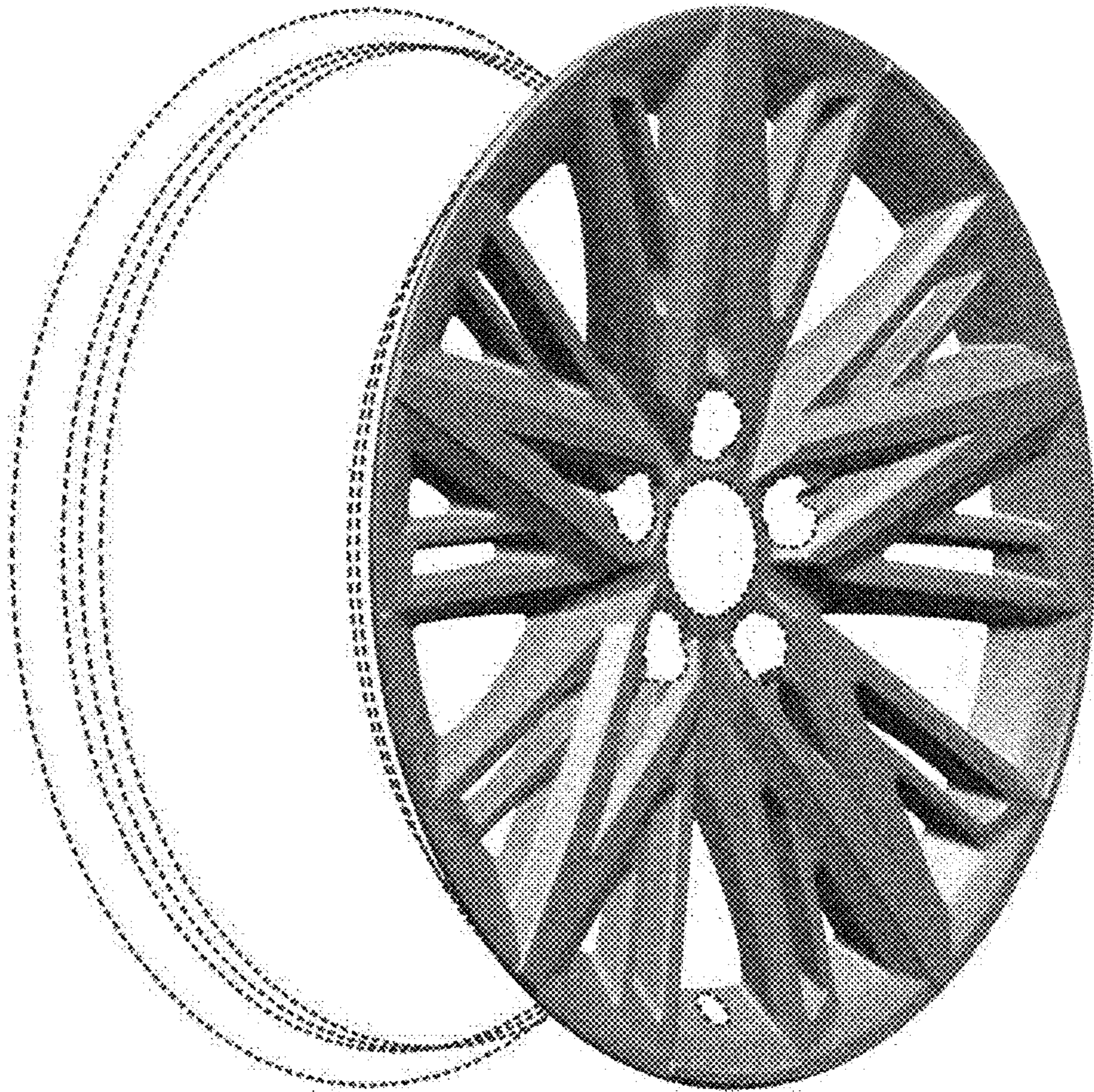


FIG. 2



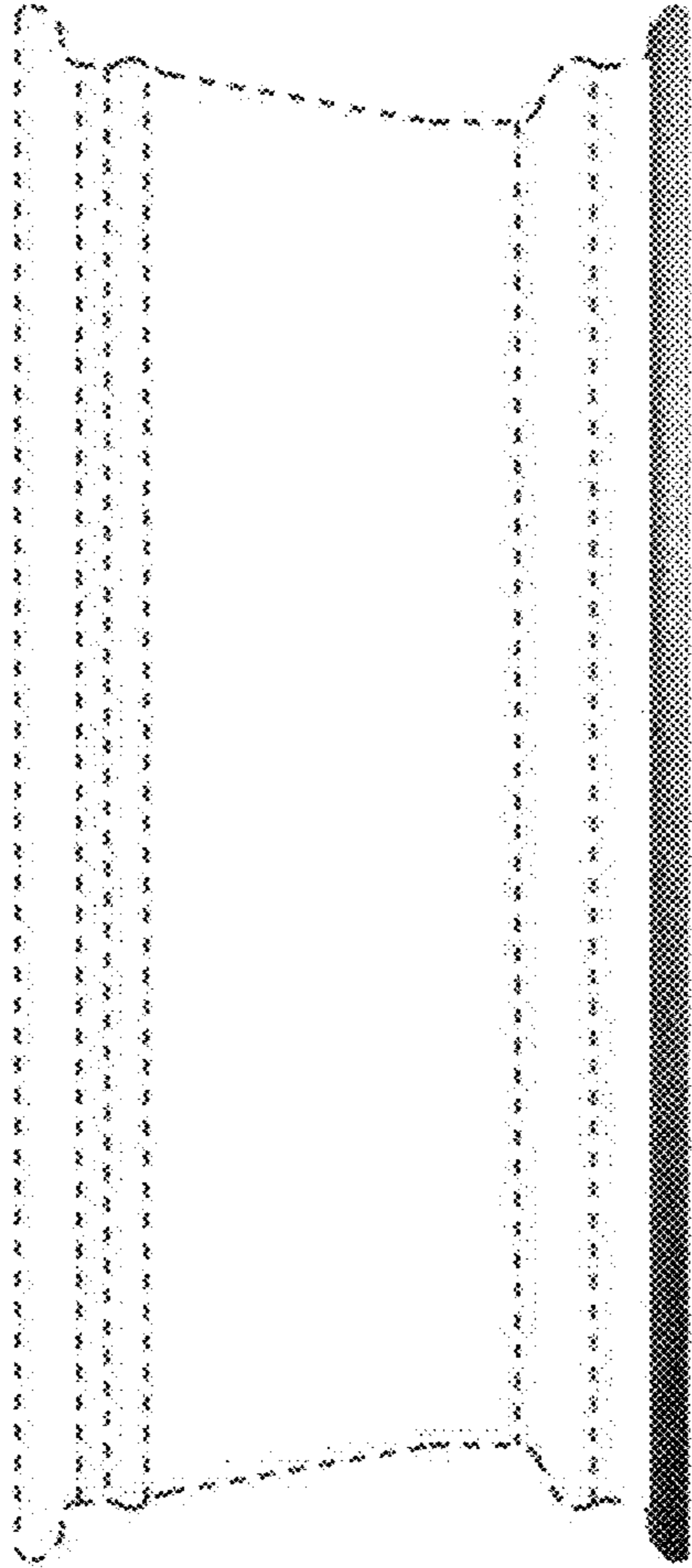


FIG. 3