



US00D978050S

(12) **United States Design Patent**
Liu et al.

(10) **Patent No.:** **US D978,050 S**

(45) **Date of Patent:** **** Feb. 14, 2023**

(54) **VEHICLE WHEEL**

(71) Applicant: **CITIC Dicastal Co., Ltd.**,
Qinhuangdao (CN)

(72) Inventors: **Zhichong Liu**, Qinhuangdao (CN);
Shiwen Xu, Qinhuangdao (CN);
Zhihua Zhu, Qinhuangdao (CN); **Zuo Xu**, Qinhuangdao (CN)

(73) Assignee: **CITIC Dicastal Co., Ltd.**,
Qinhuangdao (CN)

(**) Term: **15 Years**

(21) Appl. No.: **29/781,682**

(22) Filed: **Apr. 30, 2021**

(51) **LOC (14) Cl.** **12-16**

(52) **U.S. Cl.**
USPC **D12/209**

(58) **Field of Classification Search**
USPC D12/204-213; D21/563
CPC B60B 7/00; B60B 7/02; B60B 7/04; B60B 7/01;
B60B 7/06; B60B 3/02; B60B 3/04;
B60B 3/06; B60B 3/10; B60B 1/00;
B60B 1/08; B60B 1/10; B60B 1/12
See application file for complete search history.

(56) **References Cited**

U.S. PATENT DOCUMENTS

D642,106	S	*	7/2011	Antoniadis	D12/209
D661,238	S	*	6/2012	Chan	D12/209
D830,275	S	*	10/2018	Aslam	D12/213
D864,079	S	*	10/2019	Rueckheim	D12/211
D877,016	S	*	3/2020	Jackson	D12/209
D878,993	S	*	3/2020	Liu	D12/209
D894,082	S	*	8/2020	Liu	D12/209
D906,922	S	*	1/2021	Liu	D12/209
D908,065	S	*	1/2021	Mukti	D12/209
D921,553	S	*	6/2021	Williams	D12/209

* cited by examiner

Primary Examiner — Calvin E Vansant

(74) *Attorney, Agent, or Firm* — IPro, PLLC

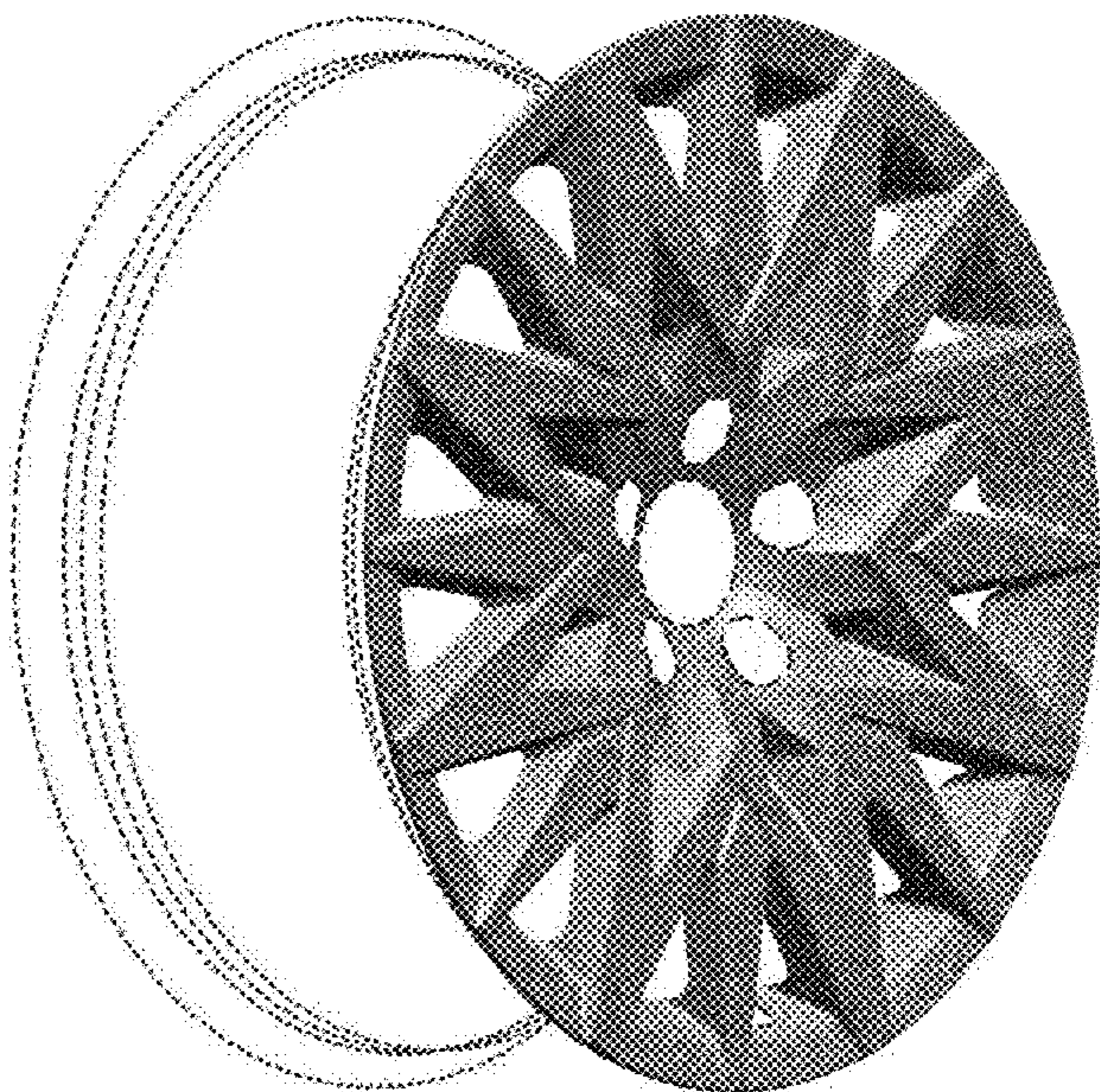
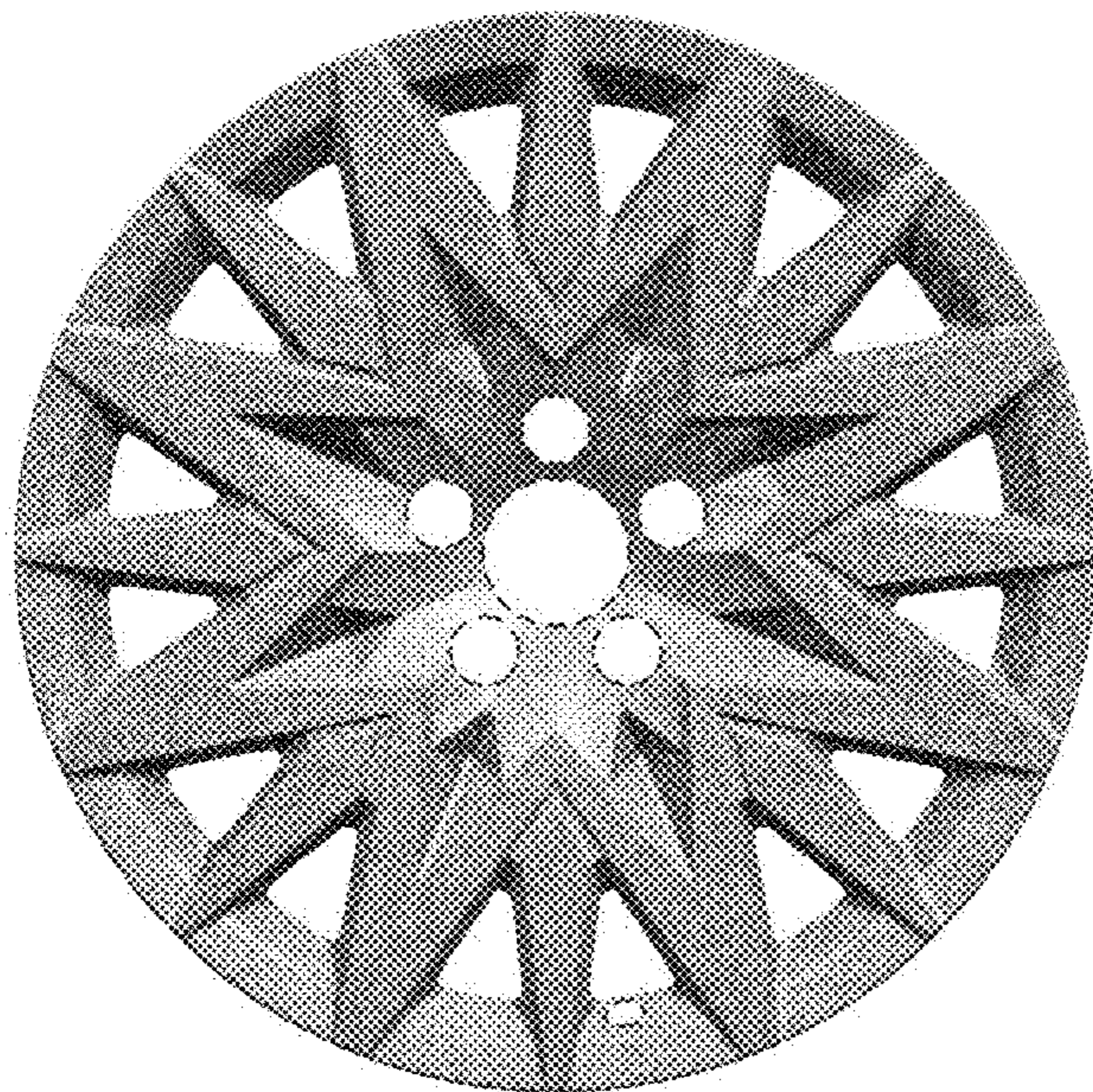
(57) **CLAIM**

The ornamental design for a vehicle wheel, as shown and described.

DESCRIPTION

FIG. 1 is a front view of a vehicle wheel.
FIG. 2 is a perspective view of the vehicle wheel; and,
FIG. 3 is a left side view of the vehicle wheel.
In the drawings the broken lines depict portions of the wheel that form no part of the claimed design.

1 Claim, 3 Drawing Sheets



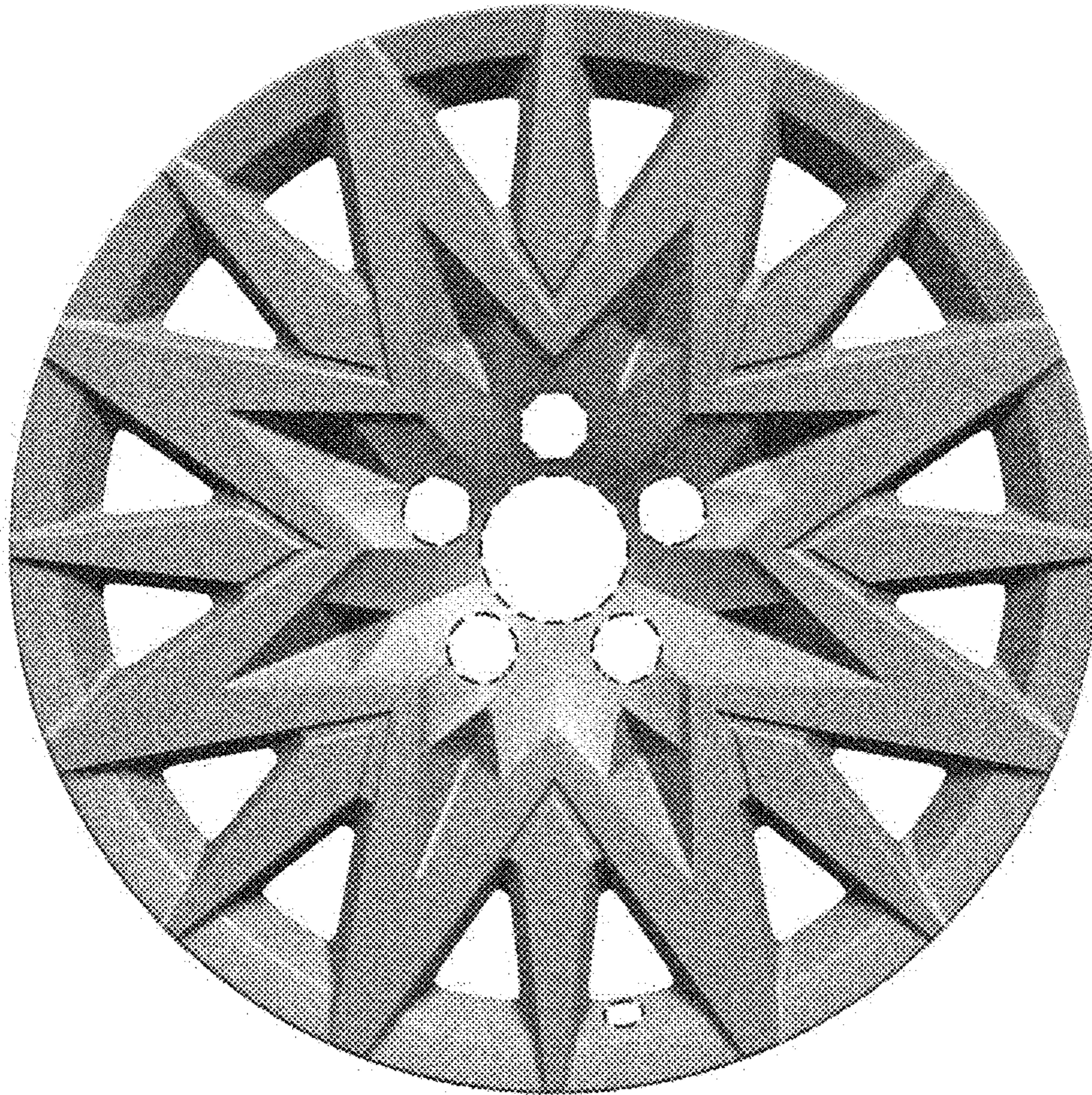


FIG. 1

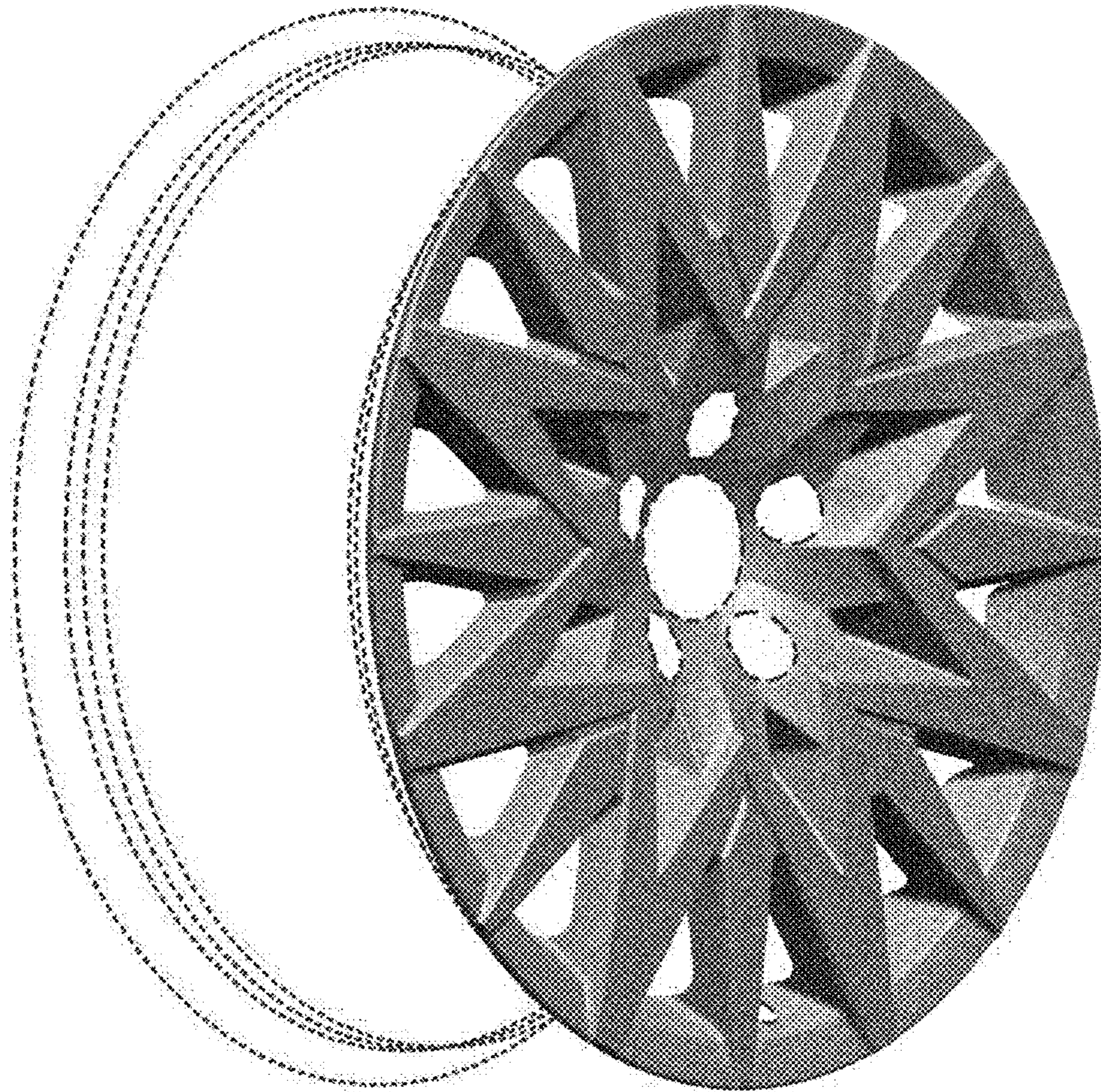


FIG. 2

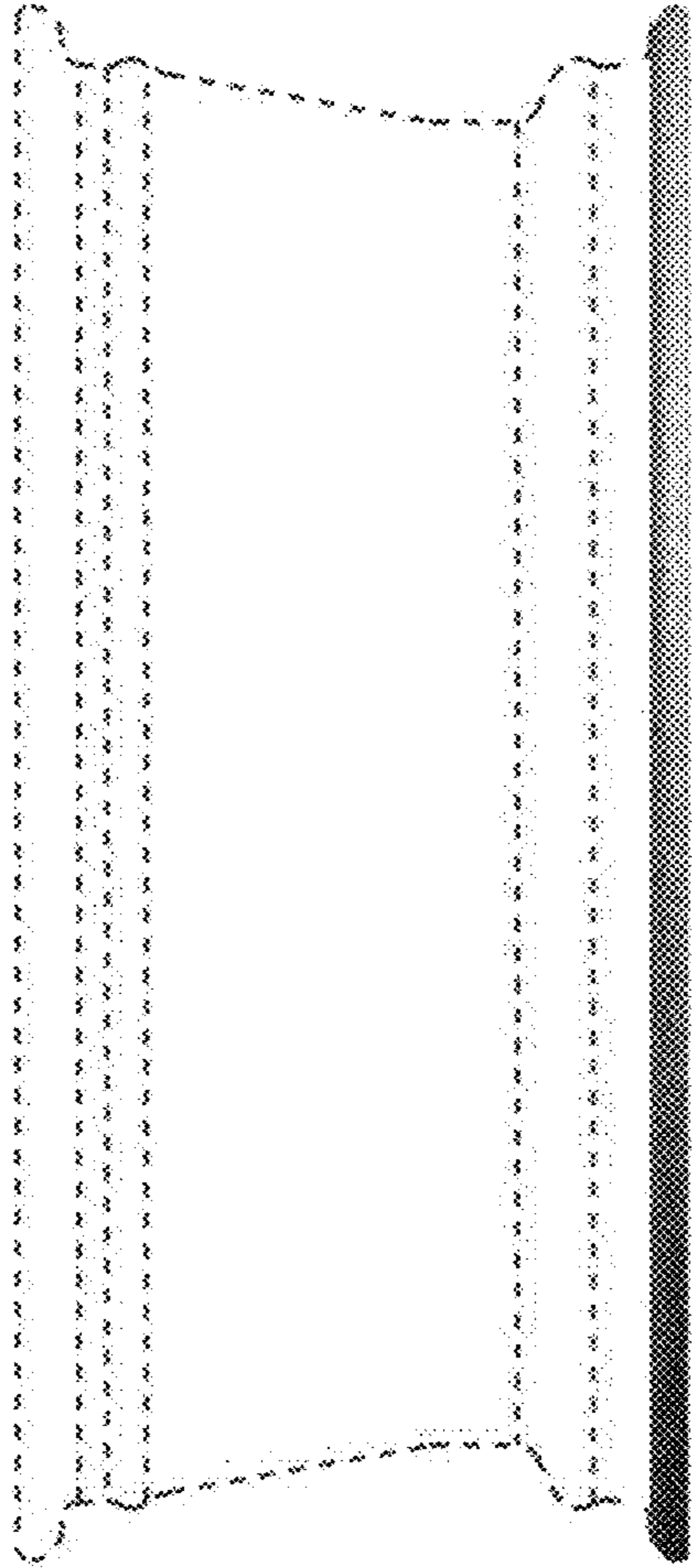


FIG. 3