



US00D978049S

(12) **United States Design Patent**
Liu et al.

(10) **Patent No.:** **US D978,049 S**
(45) **Date of Patent:** **** Feb. 14, 2023**

(54) **VEHICLE WHEEL**

(71) Applicant: **CITIC Dicastal Co., Ltd.**,
Qinhuangdao (CN)

(72) Inventors: **Zhichong Liu**, Qinhuangdao (CN);
Shiwen Xu, Qinhuangdao (CN);
Zhihua Zhu, Qinhuangdao (CN); **Zuo Xu**,
Qinhuangdao (CN)

(73) Assignee: **CITIC Dicastal Co., Ltd.**,
Qinhuangdao (CN)

(**) Term: **15 Years**

(21) Appl. No.: **29/781,679**

(22) Filed: **Apr. 30, 2021**

(51) **LOC (14) Cl.** **12-16**

(52) **U.S. Cl.**
USPC **D12/209**

(58) **Field of Classification Search**
USPC D12/204-213; D21/563
CPC B60B 7/00; B60B 7/02; B60B 7/04; B60B
7/01; B60B 7/06; B60B 3/02; B60B 3/04;
B60B 3/06; B60B 3/10; B60B 1/00;
B60B 1/08; B60B 1/10; B60B 1/12
See application file for complete search history.

(56) **References Cited**

U.S. PATENT DOCUMENTS

D454,826 S * 3/2002 Kaucher D12/211
D572,186 S * 7/2008 Viandante D12/211

D618,605 S * 6/2010 Zhao D12/209
D655,234 S * 3/2012 Zhao D12/211
D733,632 S * 7/2015 Juergens D12/211
D751,488 S * 3/2016 Zhao D12/211
D802,510 S * 11/2017 Groth D12/209
D828,264 S * 9/2018 Owens D12/209
D830,267 S * 10/2018 Chung D12/209
D842,206 S * 3/2019 Rueckheim D12/209
D866,438 S * 11/2019 Egan D12/209
D867,255 S * 11/2019 Tian D12/209
D872,671 S * 1/2020 Patel D12/209
D877,022 S * 3/2020 Hahn D12/209
D878,993 S * 3/2020 Liu D12/209
D883,887 S * 5/2020 Liu D12/209
D899,338 S * 10/2020 Khachatryan D12/209
D909,271 S * 2/2021 Hübner D12/209
D917,364 S * 4/2021 Lim D12/209

* cited by examiner

Primary Examiner — Calvin E Vansant

(74) *Attorney, Agent, or Firm* — IPro, PLLC

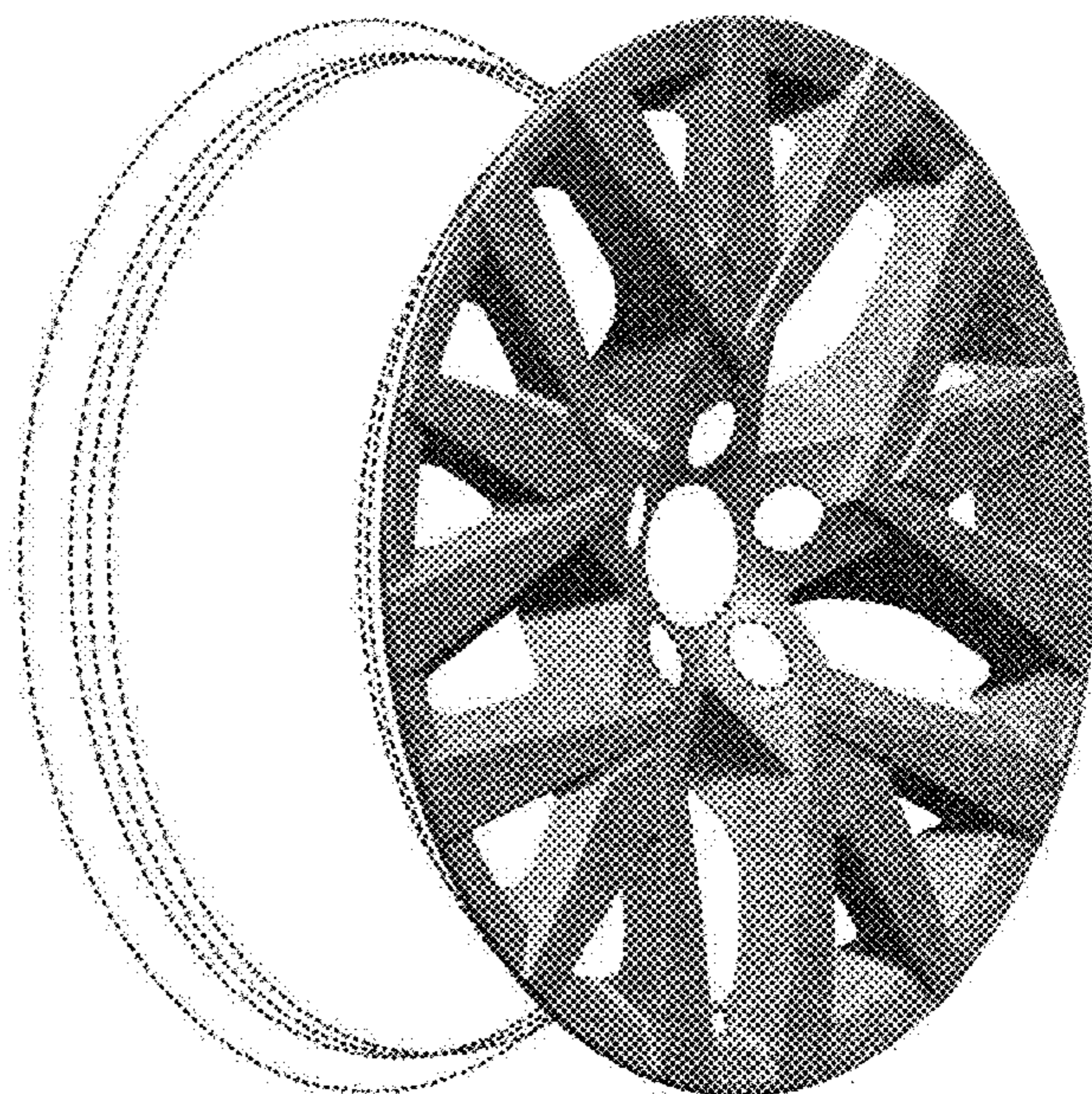
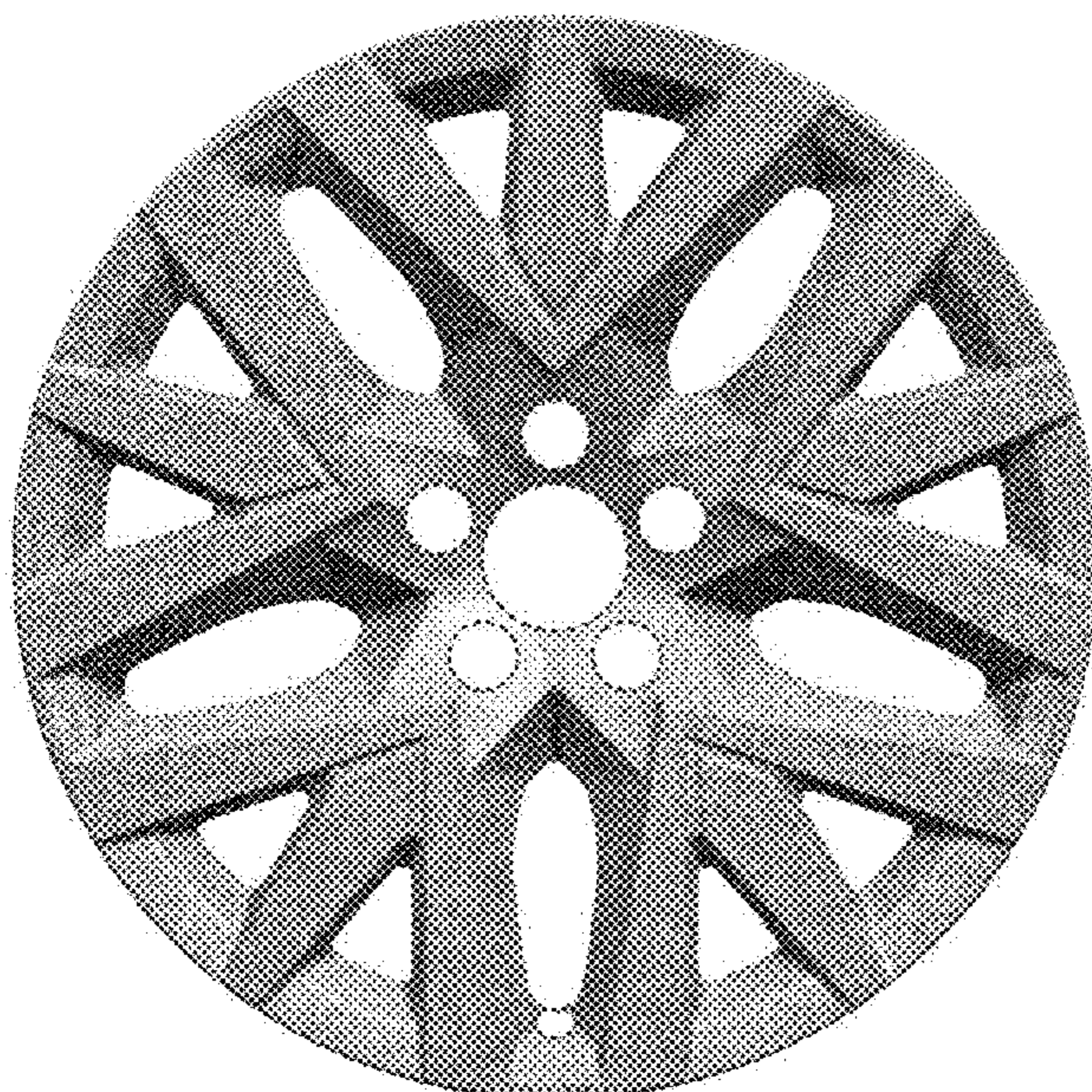
(57) **CLAIM**

The ornamental design for a vehicle wheel, as shown and described.

DESCRIPTION

FIG. 1 is a front view of a vehicle wheel.
FIG. 2 is a perspective view of the vehicle wheel; and,
FIG. 3 is a left side view of the vehicle wheel.
In the drawings the broken lines depict portions of the wheel that form no part of the claimed design.

1 Claim, 3 Drawing Sheets



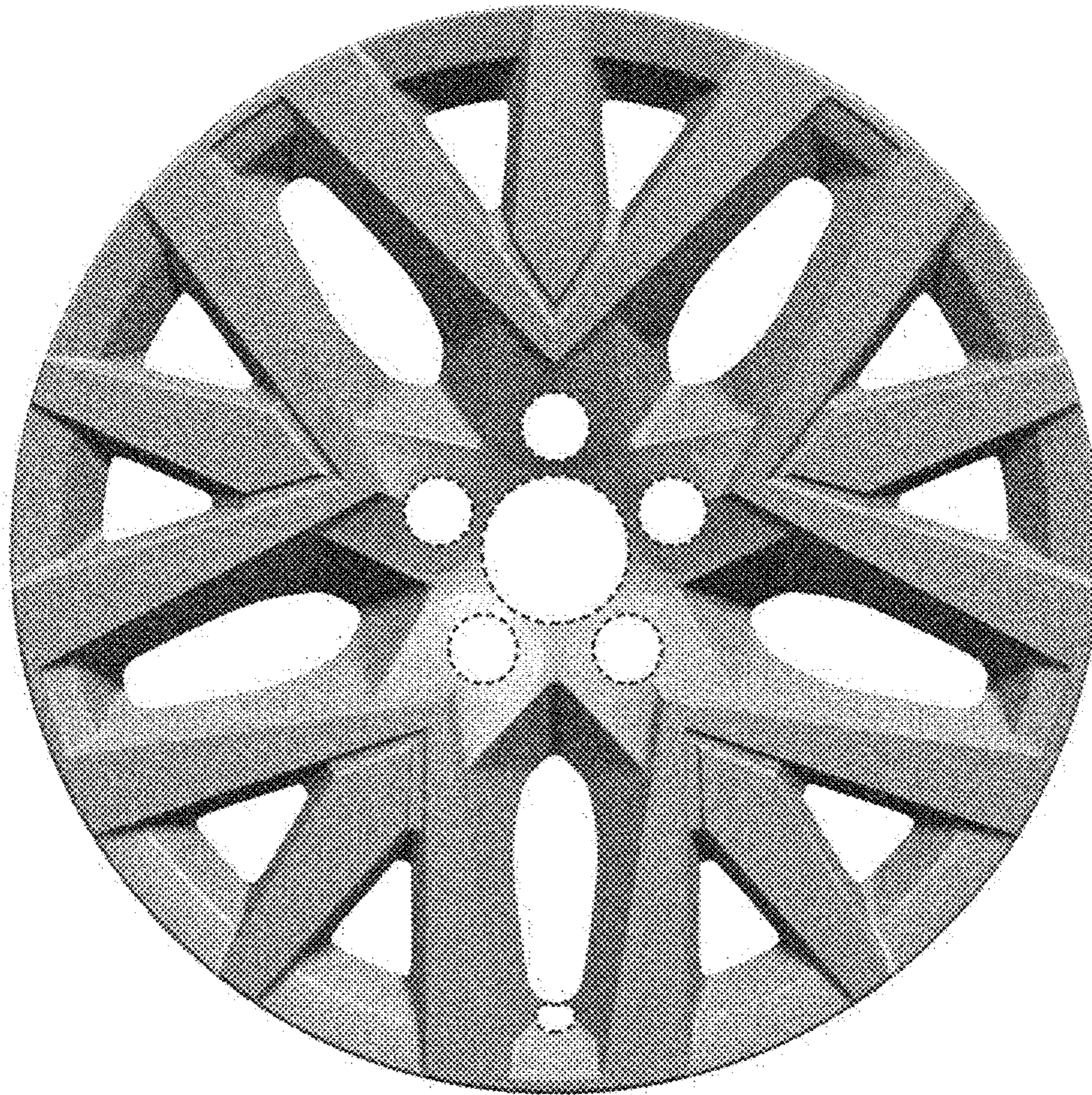


FIG. 1

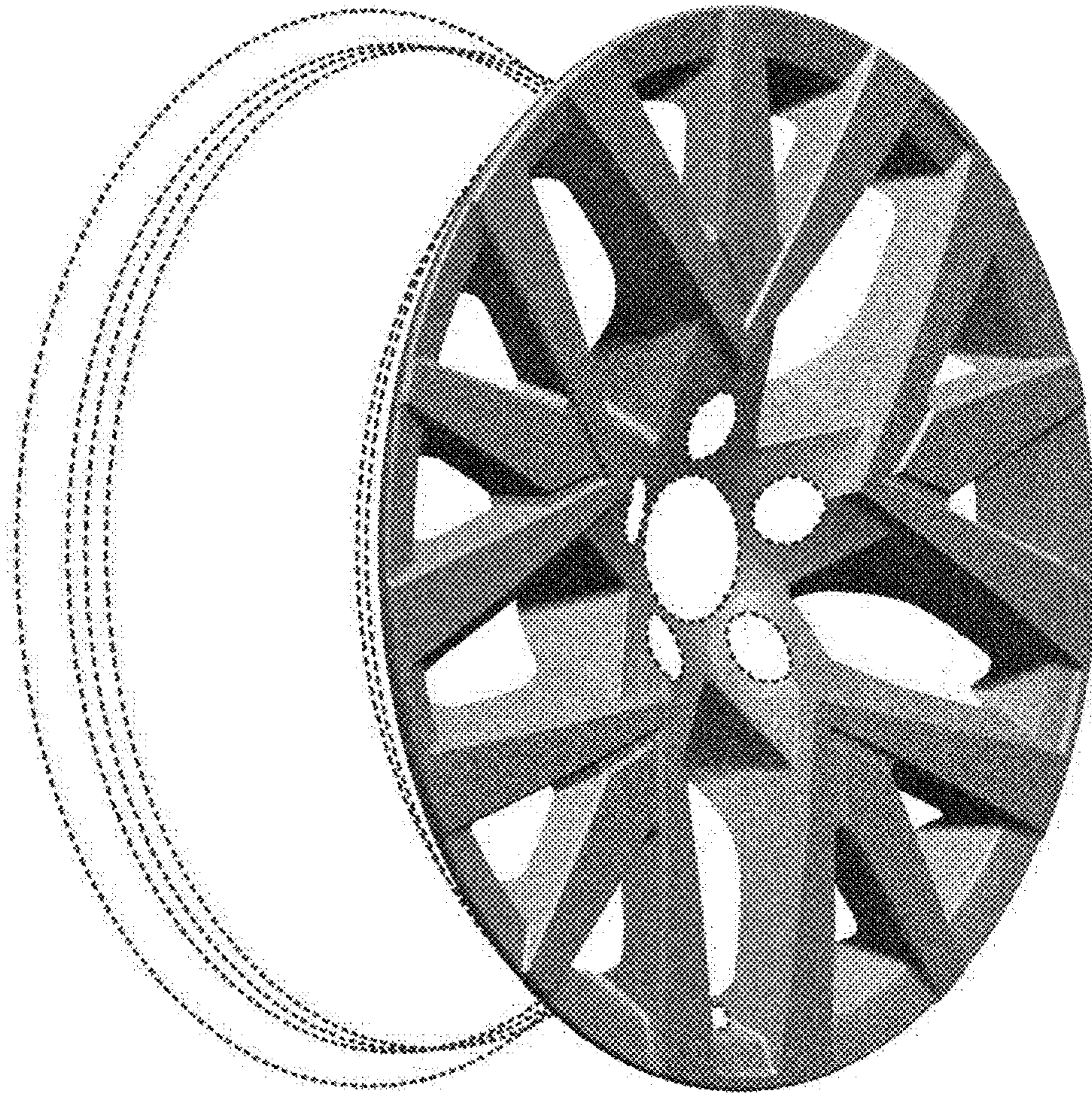


FIG. 2

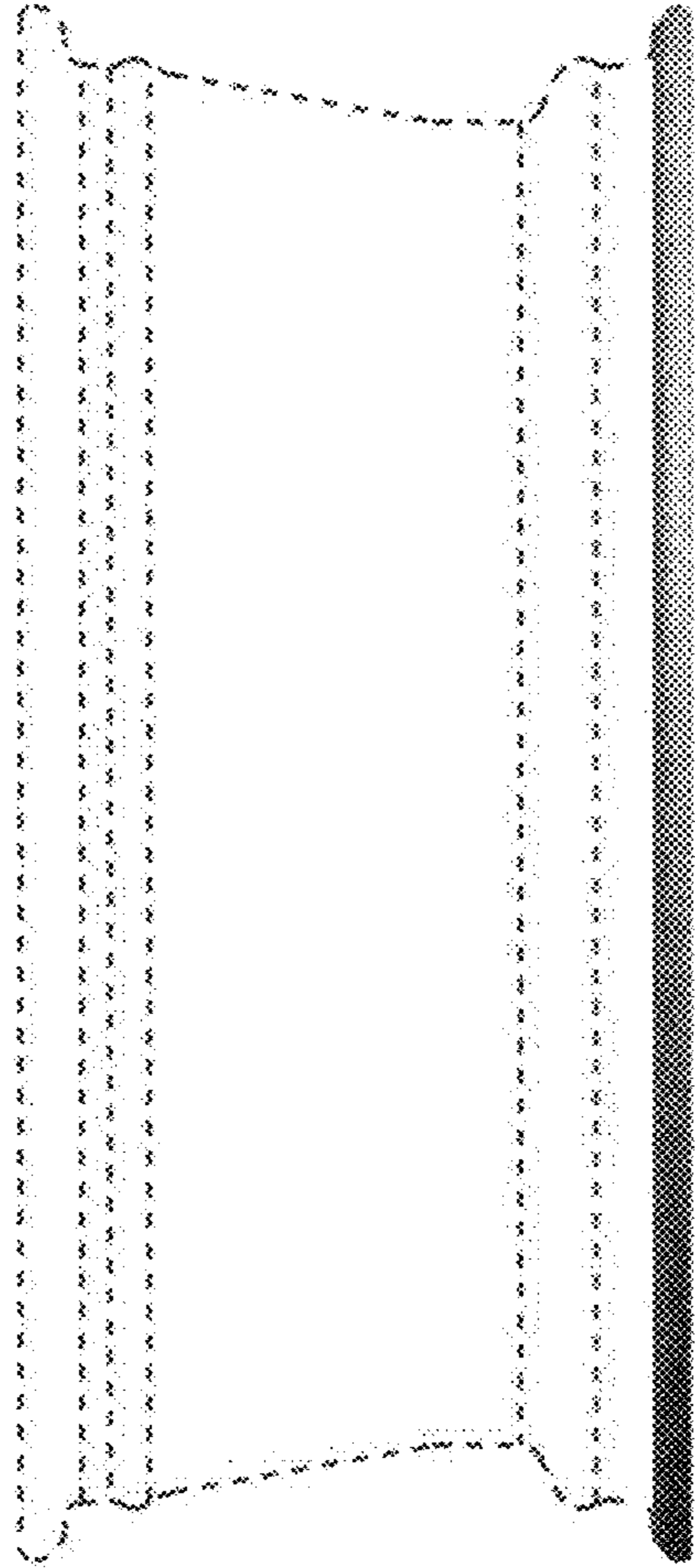


FIG. 3