



US00D978048S

(12) **United States Design Patent**  
**Parkinson**

(10) **Patent No.:** **US D978,048 S**

(45) **Date of Patent:** **\*\* Feb. 14, 2023**

(54) **VEHICLE WHEEL**

(71) Applicant: **GM GLOBAL TECHNOLOGY OPERATIONS LLC**, Detroit, MI (US)

(72) Inventor: **Zachary K Parkinson**, Bloomfield Hills, MI (US)

(73) Assignee: **GM Global Technology Operations LLC**, Detroit, MI (US)

(\*\*) Term: **15 Years**

(21) Appl. No.: **29/775,613**

(22) Filed: **Mar. 24, 2021**

(51) **LOC (14) Cl.** ..... **12-16**

(52) **U.S. Cl.**  
USPC ..... **D12/209**

(58) **Field of Classification Search**  
USPC ..... D12/204–213; D21/533, 548–550, 563  
CPC .... B60B 7/00; B60B 7/02; B60B 7/04; B60B 7/01; B60B 7/06; B60B 3/02; B60B 3/04; B60B 3/06; B60B 3/10; B60B 1/00; B60B 1/08; B60B 1/10; B60B 1/12  
See application file for complete search history.

D275,192 S	8/1984	Schinella
D275,193 S	8/1984	Schinella
D277,661 S	2/1985	Cafaro et al.
D281,491 S	11/1985	Schinella
D282,159 S	1/1986	Schell et al.
D285,675 S	9/1986	Chandler
D285,676 S	9/1986	Clark
D285,677 S	9/1986	Menking
D285,786 S	9/1986	Munson
D291,879 S	9/1987	Boyle et al.
D292,389 S	10/1987	Boyle et al.
D292,390 S	10/1987	Ruzzin
D292,568 S	11/1987	Cafaro et al.
D292,569 S	11/1987	Cafaro et al.
D292,572 S	11/1987	Schell et al.
D292,574 S	11/1987	Cafaro et al.
D292,906 S	11/1987	Menking et al.
D292,907 S	11/1987	Cafaro et al.
D294,342 S	2/1988	Chapman
D298,528 S	11/1988	Burke et al.
D300,422 S	3/1989	Schinella
D301,865 S	6/1989	McIntosh
D301,866 S	6/1989	Chapman et al.
D302,004 S	7/1989	Chapman et al.
D310,811 S	9/1990	North et al.
D310,989 S	10/1990	North et al.
D310,990 S	10/1990	Chandler
D316,844 S	5/1991	Peloquin et al.
D323,806 S	2/1992	Stewart
D336,742 S	6/1993	Stewart

(Continued)

*Primary Examiner* — Calvin E Vansant

(56) **References Cited**

**U.S. PATENT DOCUMENTS**

D258,503 S	3/1981	Semple
D258,504 S	3/1981	Schinella
D258,732 S	3/1981	Schinella
D259,484 S	6/1981	Welburn
D267,402 S	12/1982	Schinella
D267,562 S	1/1983	Palmer et al.
D267,564 S	1/1983	Wright
D268,105 S	3/1983	Schinella
D271,012 S	10/1983	Palmer et al.
D272,897 S	3/1984	Chapman
D273,781 S	5/1984	Chapman

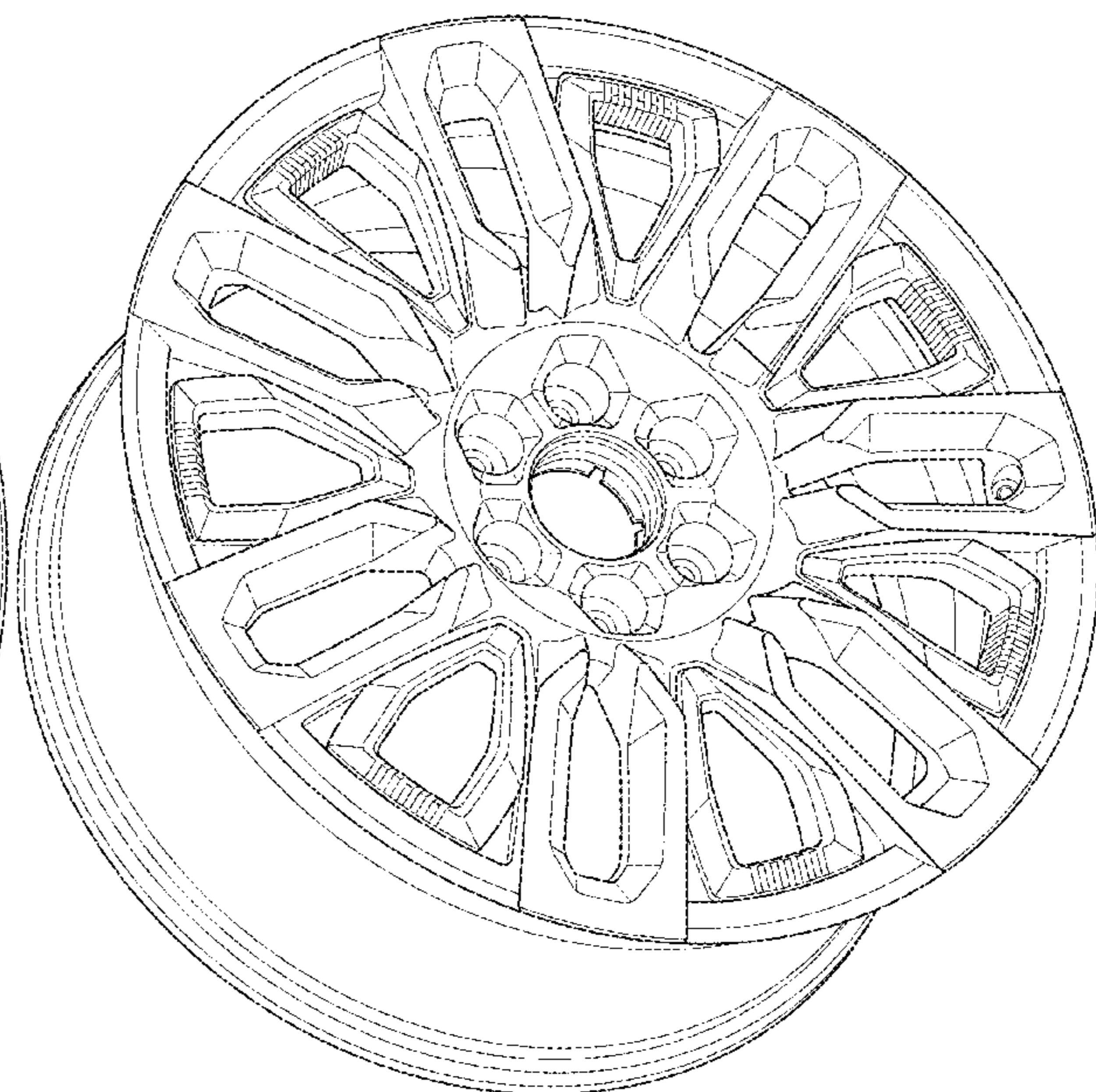
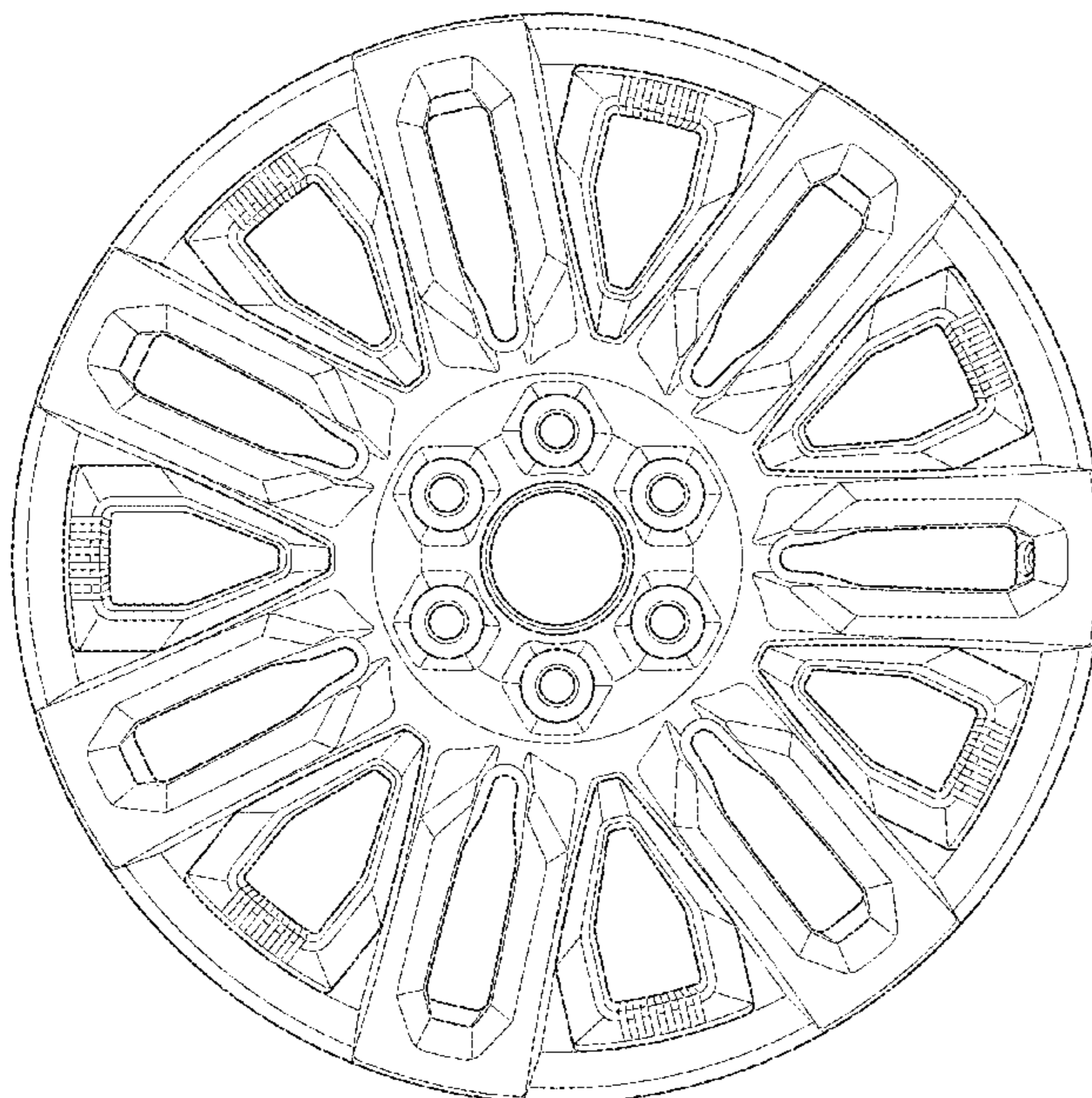
(57) **CLAIM**

The ornamental design for a vehicle wheel, as shown and described.

**DESCRIPTION**

FIG. 1 is a front elevational view of the vehicle wheel showing my new design; and, FIG. 2 is a front and left side perspective view thereof.

**1 Claim, 2 Drawing Sheets**



(56)

## References Cited

## U.S. PATENT DOCUMENTS

D345,127	S	3/1994	Stenglein et al.	
D516,990	S *	3/2006	Schweizer .....	D12/211
D571,704	S *	6/2008	Kahn .....	D12/211
D594,802	S	6/2009	Gustafsson	
D613,661	S	4/2010	Lee et al.	
D643,794	S *	8/2011	Elmitt .....	D12/211
D648,254	S	11/2011	Barry	
D655,658	S	3/2012	Noone et al.	
D656,877	S	4/2012	Ikeda et al.	
D664,081	S	7/2012	Muller	
D670,634	S	11/2012	Lee	
D684,516	S	6/2013	Bennion	
D689,807	S *	9/2013	Frenzel .....	D12/209
D700,565	S	3/2014	Gonzalez	
D705,152	S *	5/2014	Nakamura .....	D12/209
D707,170	S *	6/2014	Wheel .....	D12/211
D731,390	S *	6/2015	Kobayashi .....	D12/211
D735,102	S	7/2015	Swanseger	
D735,630	S	8/2015	Swanseger	
D775,049	S	12/2016	Scheer et al.	
D780,084	S	2/2017	Scheer et al.	
D792,830	S *	7/2017	Groth .....	D12/211
D836,526	S	12/2018	Skelley	
D840,316	S *	2/2019	Battams .....	D12/209
D840,903	S *	2/2019	Schittko .....	D12/211
D842,205	S *	3/2019	Kraljevic .....	D12/209
D854,483	S *	7/2019	Guth .....	D12/211
D885,286	S *	5/2020	Lee .....	D12/209
D886,703	S *	6/2020	Williams .....	D12/209
D888,641	S *	6/2020	Scott .....	D12/209
D892,016	S *	8/2020	Kippes .....	D12/209
D899,993	S *	10/2020	Davidson .....	D12/209
D899,997	S *	10/2020	Glover .....	D12/209
D906,927	S *	1/2021	Ma .....	D12/209

\* cited by examiner



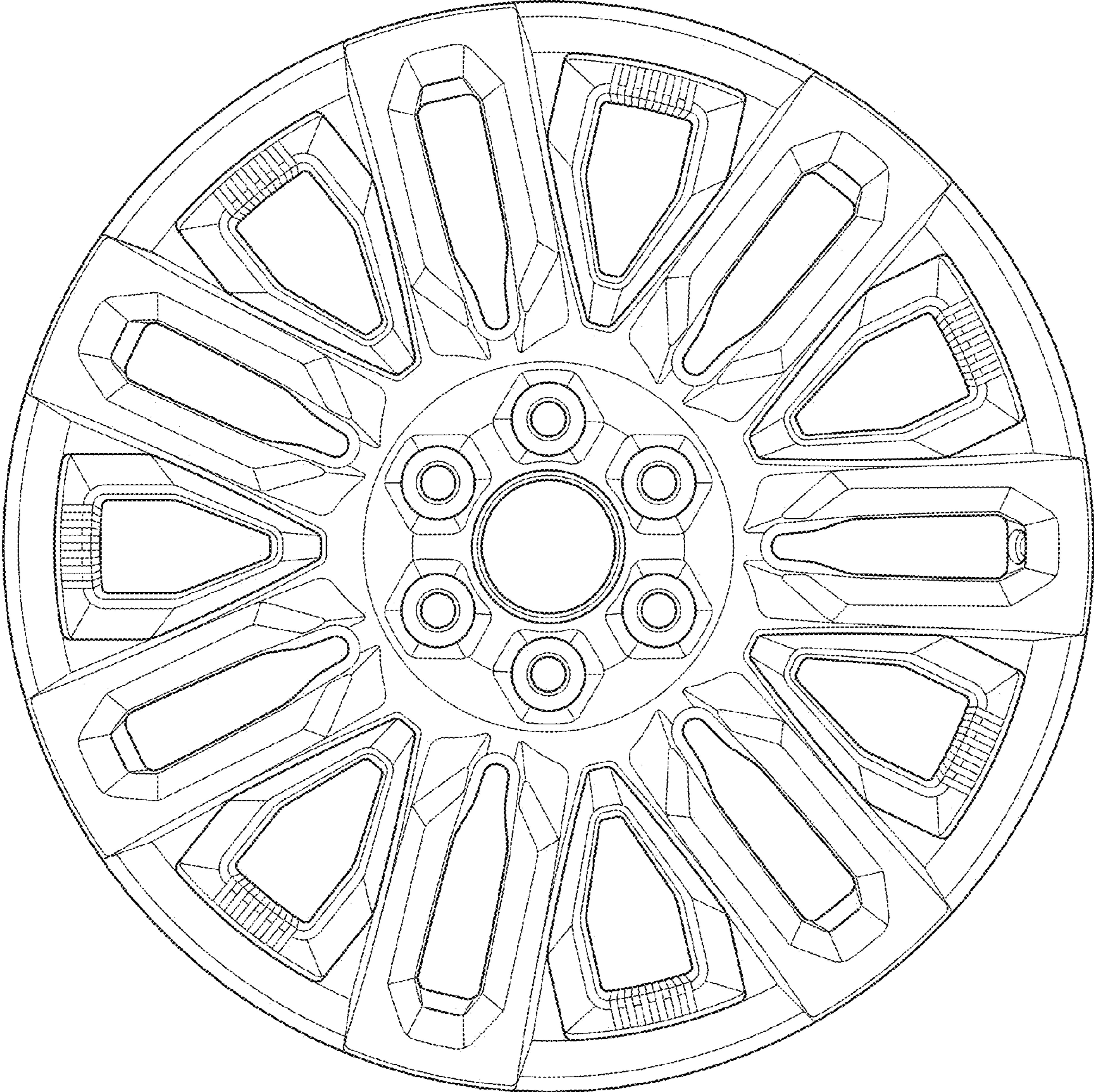


FIG. 1

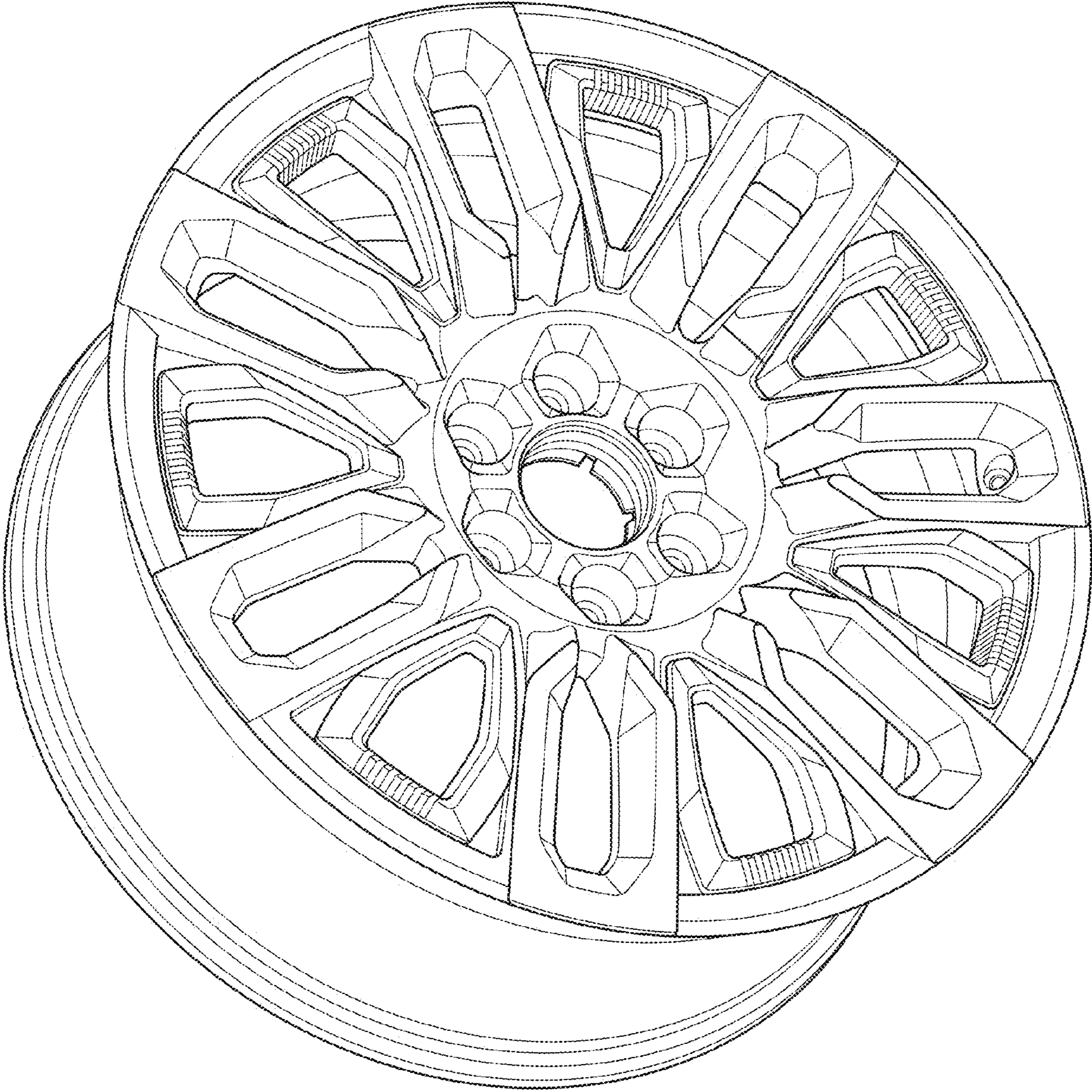


FIG. 2