



US00D978045S

(12) **United States Design Patent** (10) **Patent No.:** **US D978,045 S**  
**Yang** (45) **Date of Patent:** **\*\* Feb. 14, 2023**

(54) **VEHICLE MAT**

2018/0229637 A1\* 8/2018 Parra Becerra ..... B60N 3/048  
2019/0126801 A1\* 5/2019 De Jesus ..... B60N 3/044  
2020/0156524 A1\* 5/2020 Castillo Grana ..... B60N 3/042

(71) Applicant: **FORMOSA SAINT JOSE CORPORATION**, Taipei (TW)

**OTHER PUBLICATIONS**

(72) Inventor: **Ming-Shun Yang**, Taipei (TW)

3D MAXpider Floor Mats, Jan. 5, 2022, Amazon [online],[Site Visit Nov. 14, 2022],URL:Amazon.com: 3D MAXpider Custom Fit KAGU Floor Mat (Black for 2018-2022 Chevrolet Equinox—1st Row 2nd Row : Automotive(Aug. 16, 2017) (Year: 2017).\*  
OEDRO Floor Mats, Jan. 5, 2022, Amazon [online],[Site Visit Nov. 14, 2022],URL:Amazon.com: OEDRO Floor Mats Fits for Tesla Model 3 2020-2023, Custom Fit All-Weather Car Floor Liners, Included Front & Rear Row Liner: Everything Else(Dec. 14, 2022) (Year: 2022).\*

(73) Assignee: **FORMOSA SAINT JOSE CORP.**, Taipei (TW)

(\*\*) Term: **15 Years**

(21) Appl. No.: **29/795,559**

(22) Filed: **Jun. 18, 2021**

(51) **LOC (14) Cl.** ..... **12-16**

\* cited by examiner

(52) **U.S. Cl.**  
USPC ..... **D12/203**

*Primary Examiner* — Calvin E Vansant

(58) **Field of Classification Search**  
USPC ..... D12/203, 221; D6/582, 583, 586, 592, D6/594

*Assistant Examiner* — Giang Hoang Tran

CPC ..... B60N 3/044; B60N 3/04; B60R 13/01  
See application file for complete search history.

(74) *Attorney, Agent, or Firm* — Ian B. Oglesby

(57) **CLAIM**

(56) **References Cited**

The ornamental design for a vehicle mat, as shown and described.

**DESCRIPTION**

**U.S. PATENT DOCUMENTS**

3,337,258	A *	8/1967	Steinberg	.....	B60N 3/04 296/97.23
D432,477	S *	10/2000	Gorodetsky	.....	D12/203
D450,025	S *	11/2001	Lu	.....	D12/203
D721,025	S *	1/2015	Lu	.....	D12/203
D775,043	S *	12/2016	Lu	.....	D12/203
D833,358	S *	11/2018	Lu	.....	D12/203
D898,648	S *	10/2020	Milhoan	.....	D12/203
D927,381	S *	8/2021	Yang	.....	D12/203
D937,169	S *	11/2021	Chang	.....	D12/203
D956,652	S *	7/2022	Li	.....	D12/203

FIG. 1 is a perspective view of a vehicle mat showing my new design;

FIG. 2 is a front elevational view thereof;

FIG. 3 is a rear elevational view thereof;

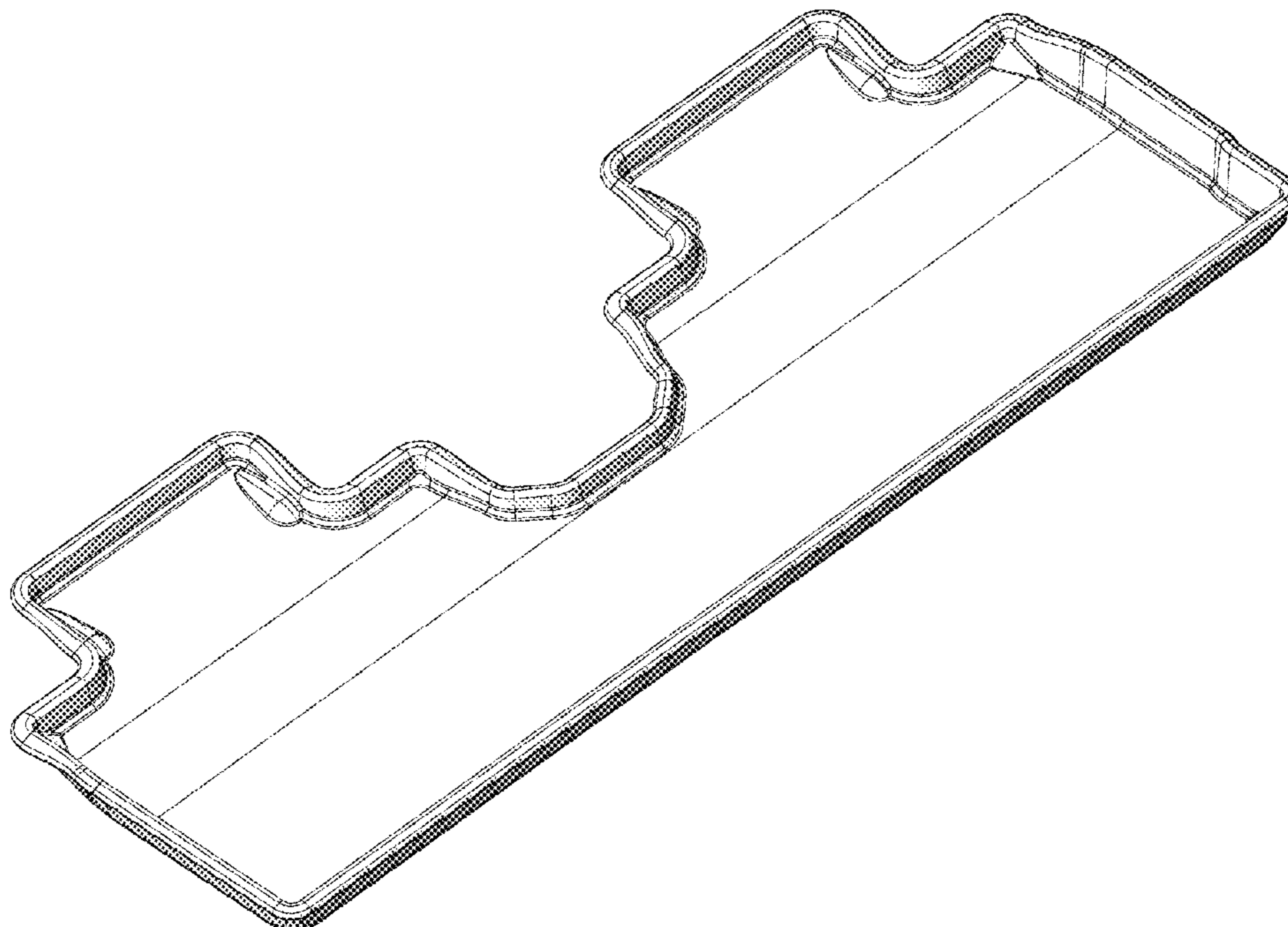
FIG. 4 is a left elevational view thereof;

FIG. 5 is a right elevational view thereof;

FIG. 6 is a top plan view thereof; and,

FIG. 7 is a bottom plan view thereof.

**1 Claim, 6 Drawing Sheets**



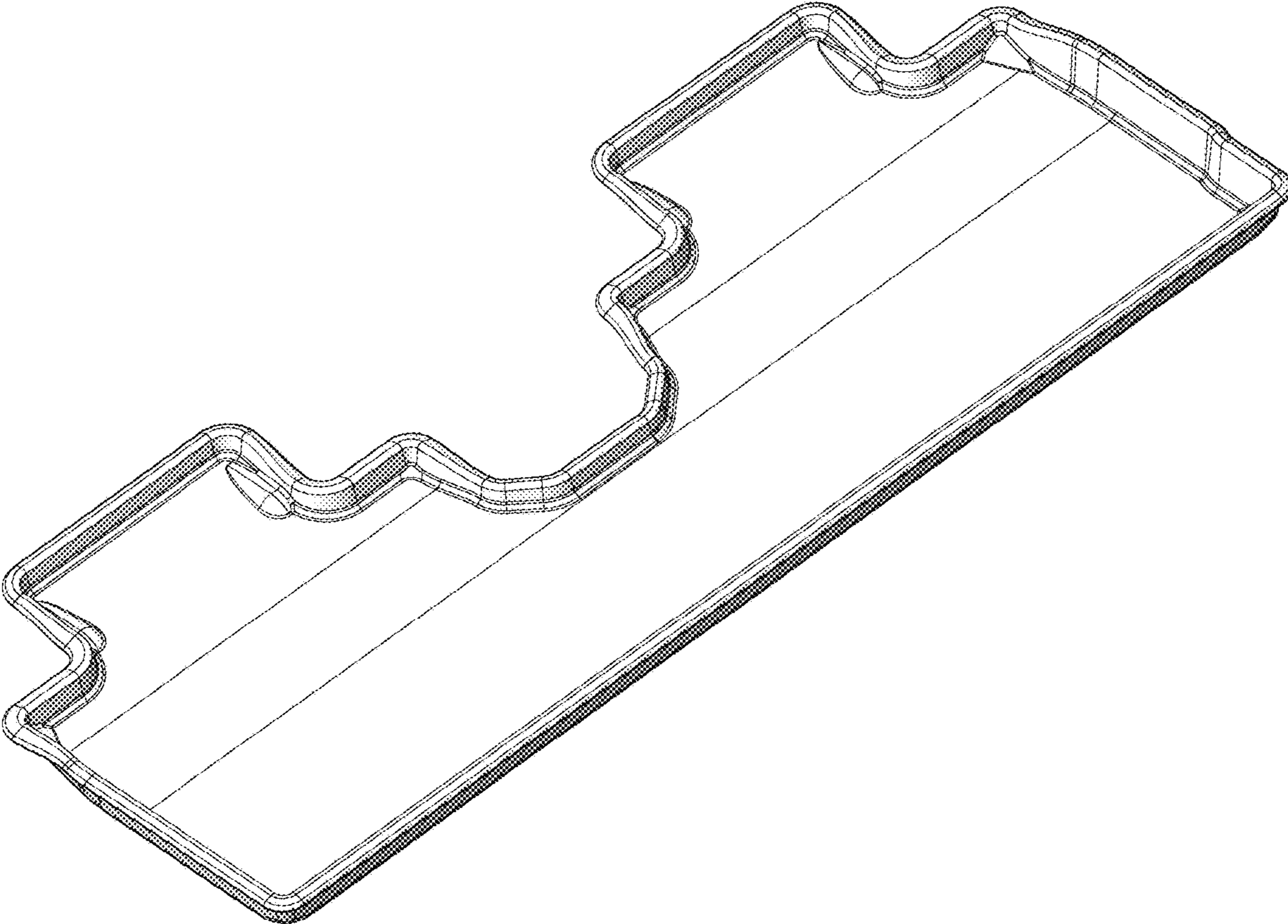


FIG. 1

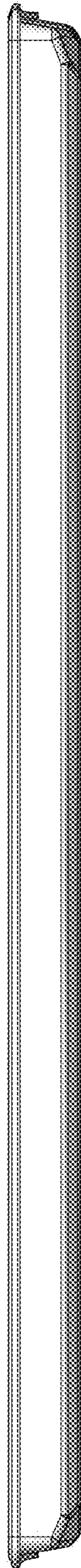


FIG. 2

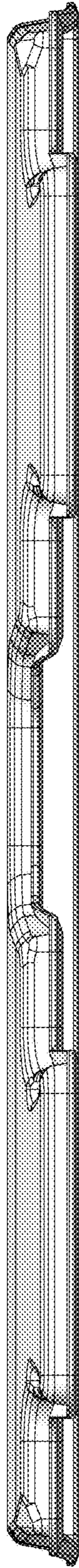


FIG. 3

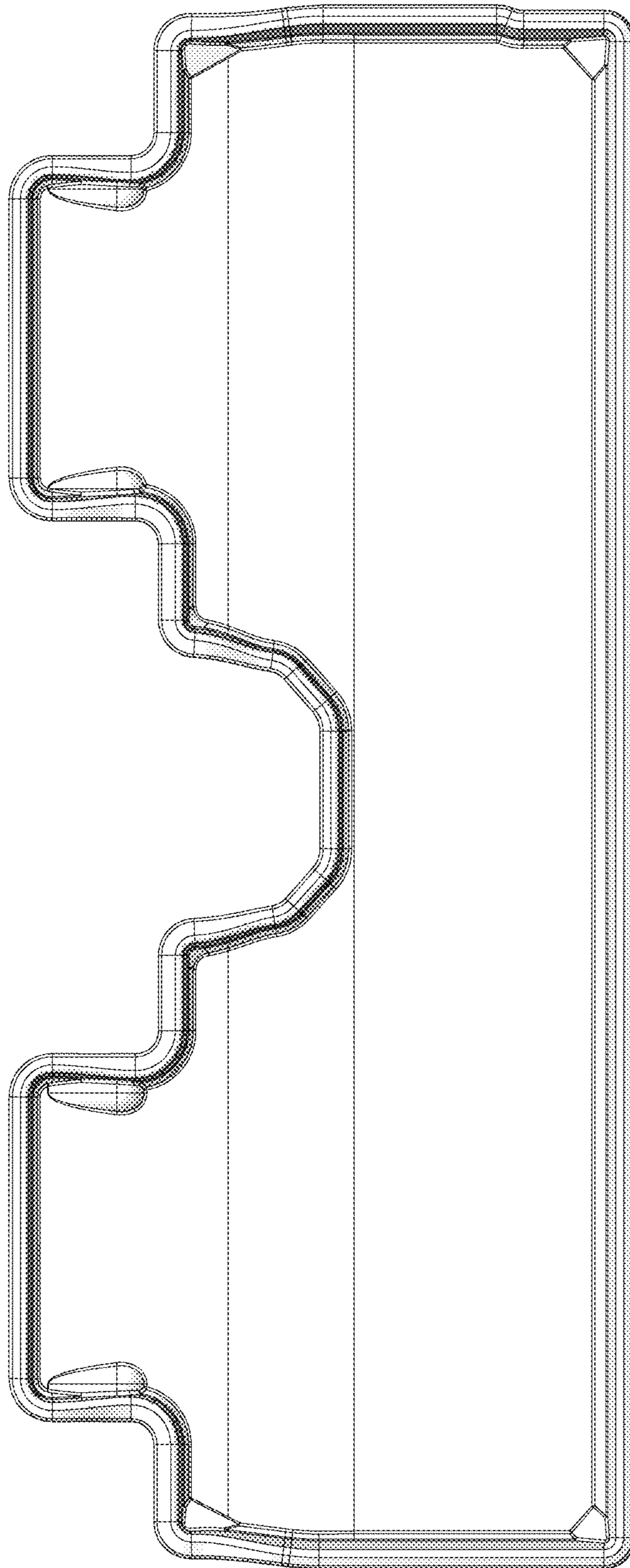


FIG. 4

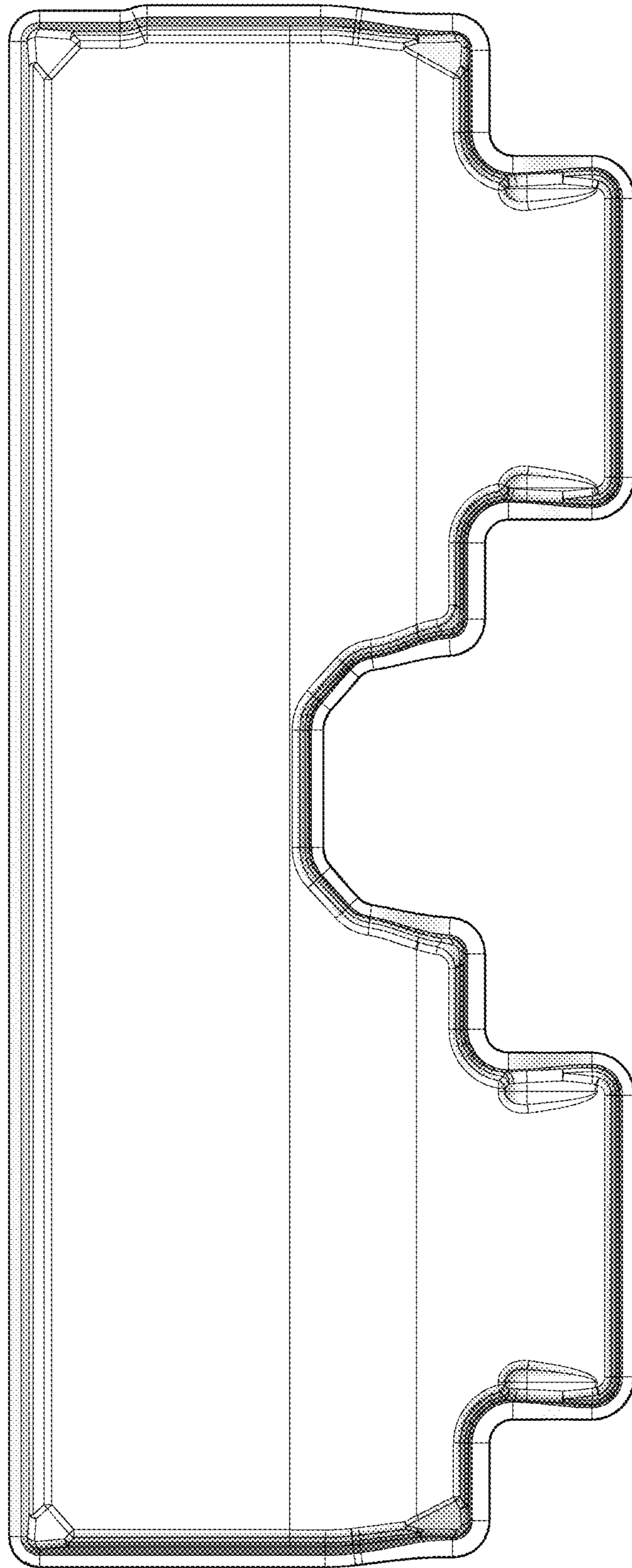


FIG. 5

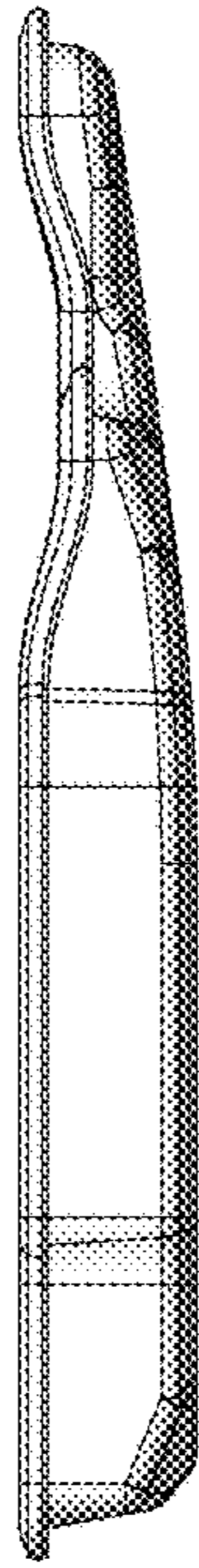


FIG. 6

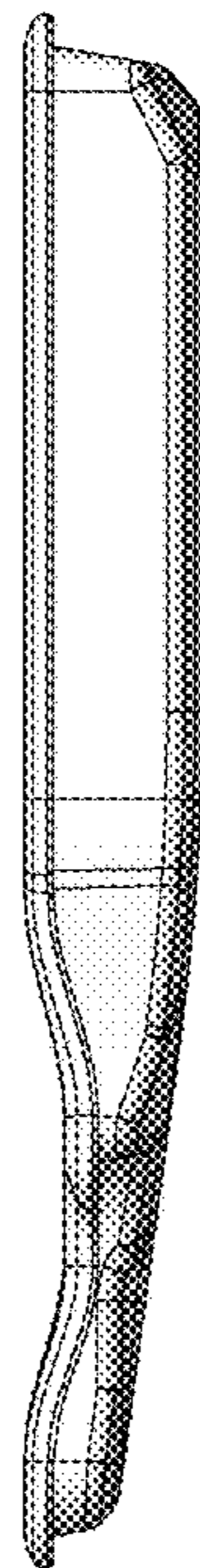


FIG. 7