



US00D978043S

(12) **United States Design Patent**
Kim et al.

(10) **Patent No.:** **US D978,043 S**

(45) **Date of Patent:** **** Feb. 14, 2023**

(54) **SIDE PEG BOARDS**

(71) Applicant: **Canoo Technologies Inc.**, Torrance, CA (US)

(72) Inventors: **Richard Kim**, Los Angeles, CA (US); **Jackson E. Luttig**, Rancho Palos Verdes, CA (US); **Iliya Bridan**, Torrance, CA (US); **Mark Smith**, Torrance, CA (US); **Brian E. Spencer**, Lakewood, CA (US); **Mike de Jung**, Torrance, CA (US)

(73) Assignee: **Canoo Technologies Inc.**, Torrance, CA (US)

(**) Term: **15 Years**

(21) Appl. No.: **29/788,534**

(22) Filed: **Jun. 17, 2021**

(51) **LOC (14) Cl.** **12-16**

(52) **U.S. Cl.**
USPC **D12/196**

(58) **Field of Classification Search**
USPC D12/86, 90, 92, 163, 169, 196
CPC B62D 25/16; B62D 25/18; B62D 25/161; B62D 25/168; B62D 25/182; B62D 25/163; B60R 19/00; B60R 19/02; B60Y 2200/141; B60Y 2200/142; B60Y 2200/1422

See application file for complete search history.

(56) **References Cited**

U.S. PATENT DOCUMENTS

D708,103 S * 7/2014 Watkins D12/196
D758,271 S * 6/2016 McMahan D12/196
D762,916 S * 8/2016 Messale D26/139
D788,668 S * 6/2017 Frascella D12/196

D853,293 S * 7/2019 Héroux D12/196
D866,426 S * 11/2019 Héroux D12/196
D890,665 S * 7/2020 Feng D12/196
D890,666 S * 7/2020 Feng D12/196
D906,207 S * 12/2020 Merezchnikova D12/192
D913,171 S * 3/2021 Wiltshire D12/181
D922,284 S * 6/2021 Feng D12/196
D928,051 S * 8/2021 Anscheidt D12/190
D960,071 S * 8/2022 Nichols D12/345

OTHER PUBLICATIONS

Vehicle Panels (Design—© Questel) orbit.com. [Online PDF compilation of references] 36 pgs. Print Dates Range May 16, 2022–Nov. 10, 2021 [Retrieved Sep. 16, 2022].*
Padeanu, Adrian. Canoo Electric Pickup Revealed With Pull-Out Bed And Side Storage. Mar. 11, 2021. Motor 1. <https://www.motor1.com/news/493673/canoo-electric-pickup-truck-reveal/>.*

(Continued)

Primary Examiner — George D. Kirschbaum

Assistant Examiner — Suzanne E Tisdell

(57) **CLAIM**

The ornamental design for side peg boards, as shown and described.

DESCRIPTION

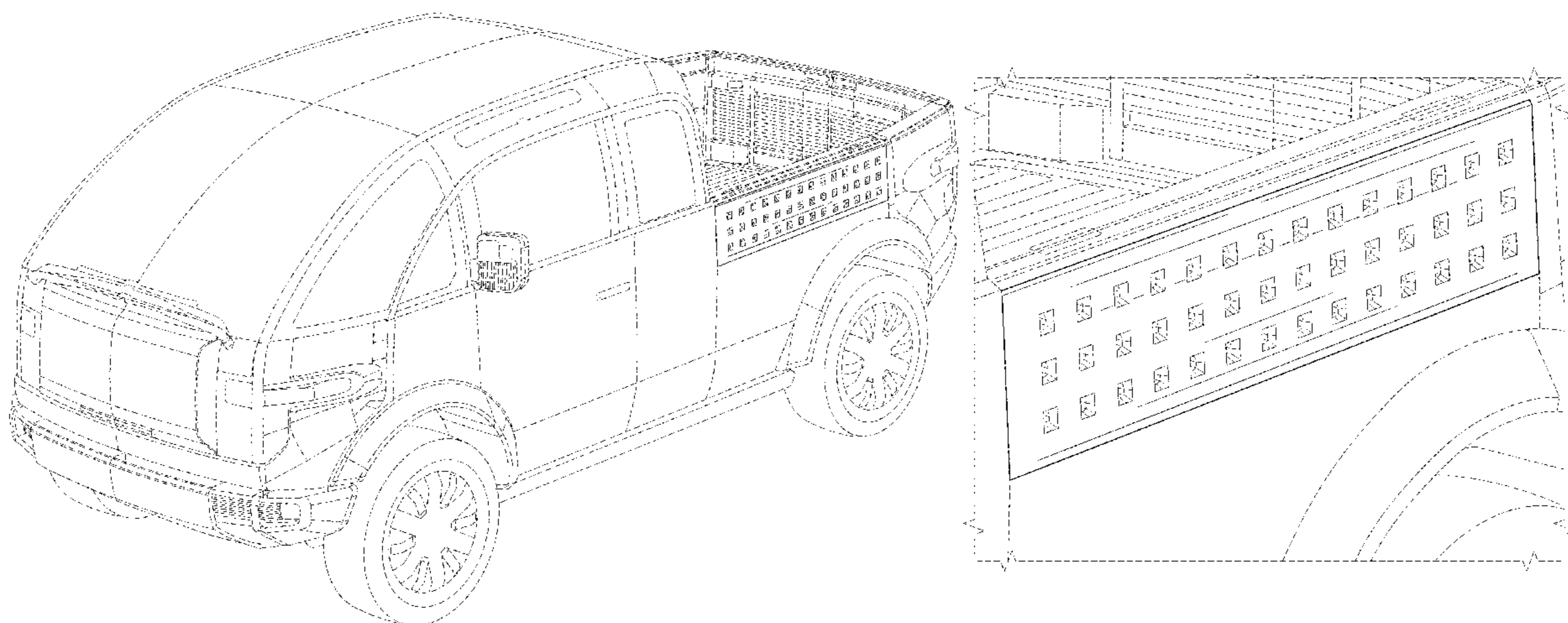
FIG. 1 is a front perspective view of a side peg board on a vehicle, mounted on a side panel of the vehicle's open cargo bed, flush with a surface of the side panel and a top rail of the side panel;

FIG. 2 is an enlarged view of the portion of FIG. 1 depicting the side peg board;

FIG. 3 is a front orthogonal view of the side peg board; and, FIG. 4 is a top orthogonal view of the side peg board.

The broken lines present in the drawings are included for the purpose of illustrating portions of the article which form no part of the claimed design.

1 Claim, 4 Drawing Sheets



(56)

References Cited

OTHER PUBLICATIONS

Valdes-Dapena, Peter. Canoo unveils what might be the world's cutest electric pickup. Mar. 12, 2021. CNN Business. <https://www.cnn.com/2021/03/11/cars/canoo-electric-pickup-truck/index.html>.*

Sabina Aouf, Rima. Canoo's electric and extendable Pickup truck includes pop-out workspaces. Nov. 9, 2021. Dezeen. <https://www.dezeen.com/2021/11/09/canoo-electric-extendable-pickup-truck-design/>.*

* cited by examiner

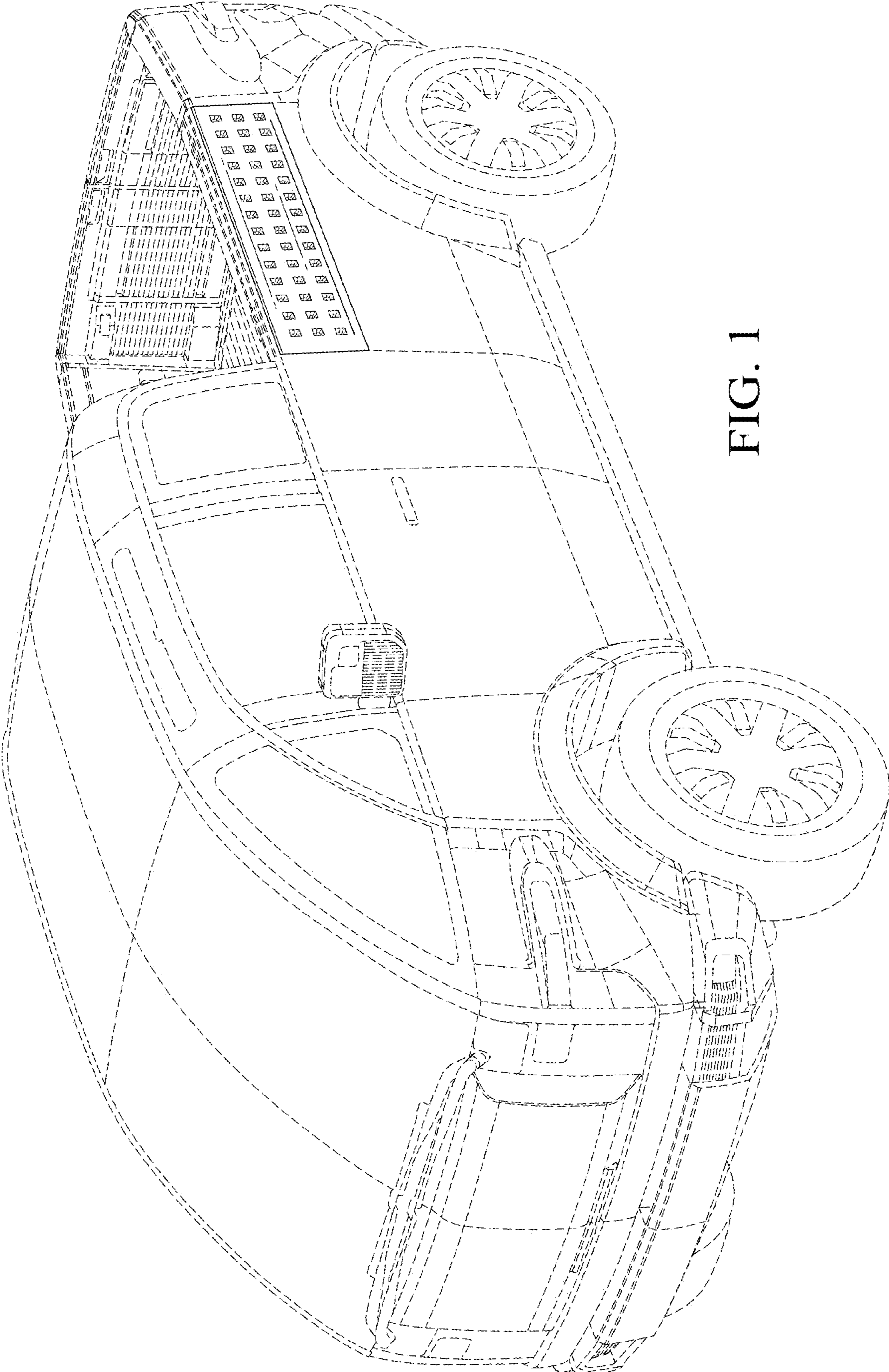


FIG. 1

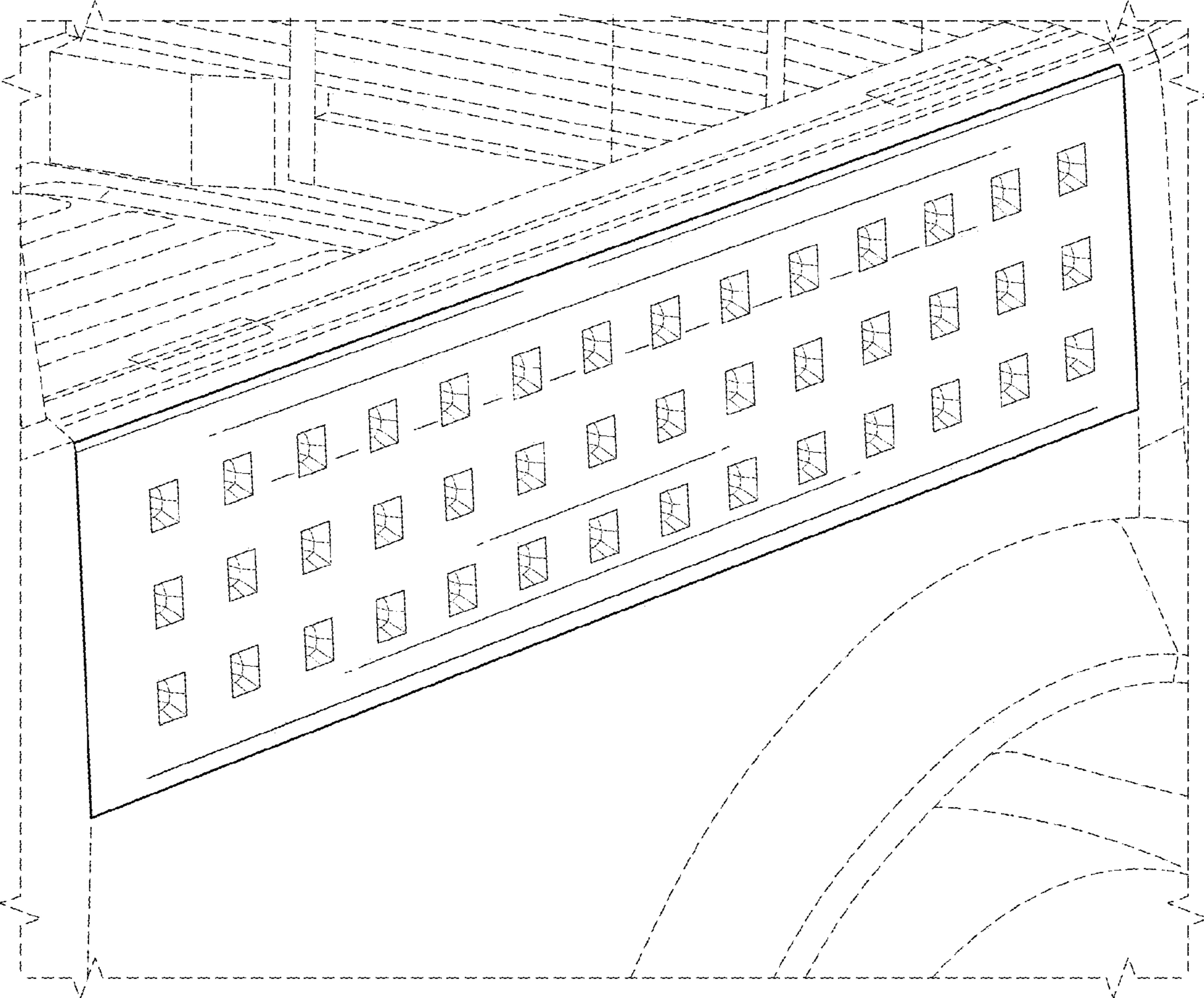


FIG. 2

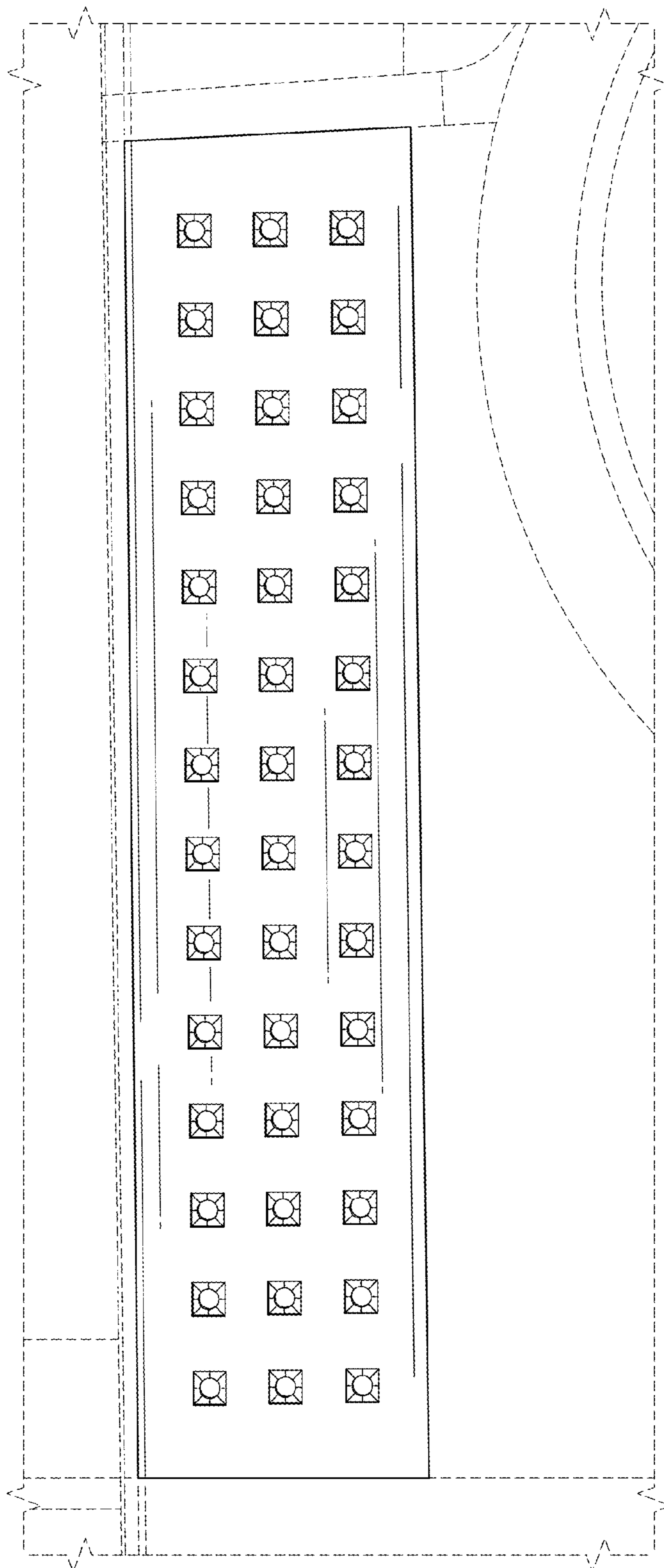


FIG. 3

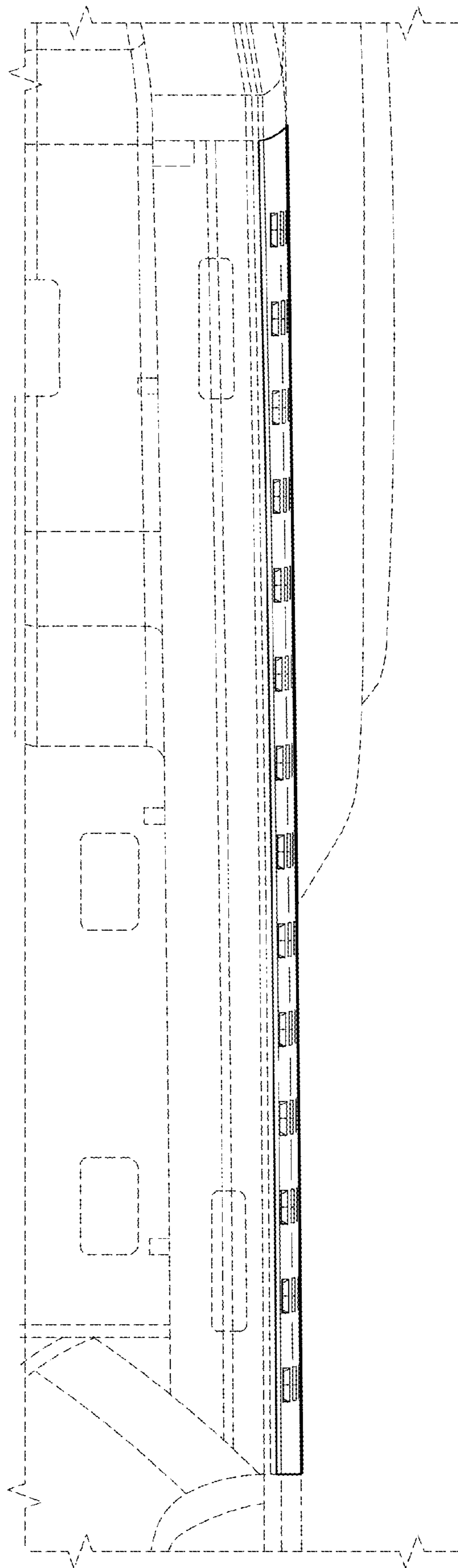


FIG. 4