



US00D978042S

(12) **United States Design Patent** (10) **Patent No.:** **US D978,042 S**
Frascella et al. (45) **Date of Patent:** **** Feb. 14, 2023**

(54) **VEHICLE DOOR**
(71) Applicant: **Jaguar Land Rover Limited**, Whitley Coventry (GB)
(72) Inventors: **Massimo Frascella**, Whitley Coventry (GB); **Constantino Segui Gilabert**, Whitley Coventry (GB); **Paul Hanstock**, Whitley Coventry (GB)

D930,545 S * 9/2021 Lee D12/196
D940,622 S * 1/2022 Kim B60J 5/00
D12/196
D945,339 S * 3/2022 Lim D12/196
D945,340 S * 3/2022 Lim D12/196
D945,941 S * 3/2022 Kim D12/196
D951,164 S * 5/2022 Oh B62D 25/02
D12/196
D951,839 S * 5/2022 Cho B62D 25/02
D12/196

(73) Assignee: **Jaguar Land Rover Limited**, Whitley Coventry (GB)

(**) Term: **15 Years**

(21) Appl. No.: **29/786,791**

(22) Filed: **Jun. 2, 2021**

(30) **Foreign Application Priority Data**

Mar. 12, 2020 (EM) 008307979

(51) **LOC (14) Cl.** **12-16**

(52) **U.S. Cl.**
USPC **D12/196**

(58) **Field of Classification Search**
USPC D12/90, 91, 92, 184, 196
CPC B62D 24/00; B62D 24/02; B62D 25/02;
B62D 25/08; B62D 25/18; B62D 35/00;
B60J 5/04; B60R 19/02; B60R 19/04
See application file for complete search history.

(56) **References Cited**

U.S. PATENT DOCUMENTS

D892,695 S * 8/2020 Oh D12/196
D915,972 S * 4/2021 Kim D12/196
D915,973 S * 4/2021 Kim D12/196
D930,542 S * 9/2021 Kim D12/196
D930,543 S * 9/2021 Kim D12/196
D930,544 S * 9/2021 Lee D12/196

OTHER PUBLICATIONS

Vehicle Doors. (Design—© Questel) orbit.com. [Online PDF compilation of references] 50 pgs. Print Dates Range Aug. 28, 2020-Jun. 13, 2019 [Retrieved Aug. 27, 2020].*

(Continued)

Primary Examiner — George D. Kirschbaum

Assistant Examiner — Suzanne E Tisdell

(74) *Attorney, Agent, or Firm* — Wood Herron & Evans LLP

(57) **CLAIM**

The ornamental design for a vehicle door, as shown and described.

DESCRIPTION

FIG. 1 is a front view of a vehicle door according to the present invention.

FIG. 2 is a rear view thereof.

FIG. 3 is a front right perspective view thereof.

FIG. 4 is a rear left perspective view thereof.

FIG. 5 is right side view thereof.

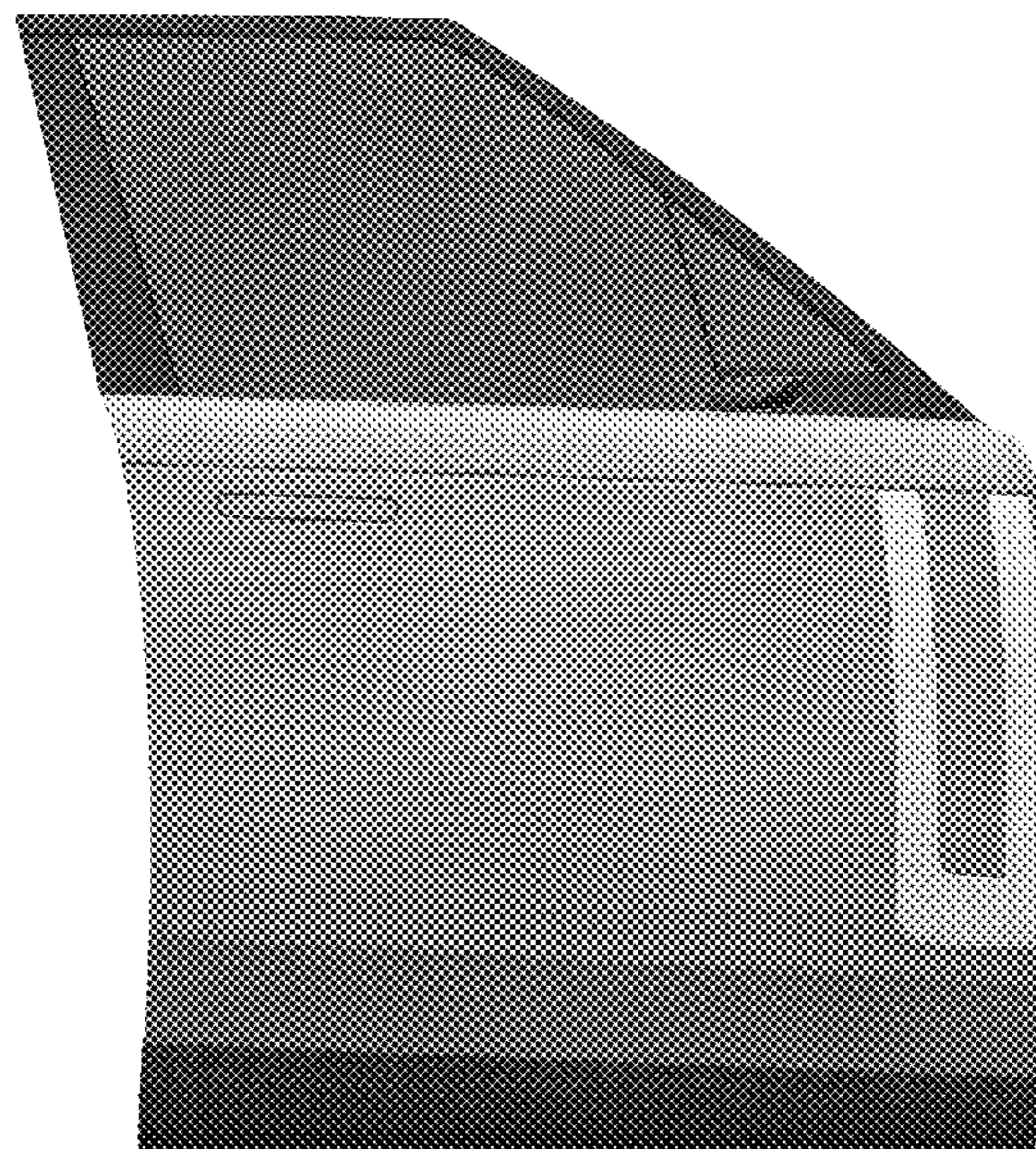
FIG. 6 is a left side view thereof.

FIG. 7 is a top view thereof; and,

FIG. 8 is a bottom view thereof.

The inventors contemplate a mirror image door on the opposite side of the vehicle.

1 Claim, 7 Drawing Sheets



(56)

References Cited

OTHER PUBLICATIONS

Cole, Craig. 2022 Land Rover Range Rover is sleeker than ever yet even more capable. Oct. 28, 2021. CNET. <https://www.cnet.com/roadshow/news/2022-range-rover/>.*

Szymkowski, Sean. Updated Land Rover Range Rover Sentinel adds power to armored SUV. Mar. 6, 2019. Motor Authority. https://www.motorauthority.com/news/1121912_updated-land-rover-range-rover-sentinel-adds-power-to-armored-suv.*

Dorian, Drew. 2023 Land Rover Range Rover Review, Pricing, and Specs. 2022. Car and Driver. <https://www.caranddriver.com/land-rover/range-rover>.*

* cited by examiner



FIG. 1



FIG. 2



FIG. 3

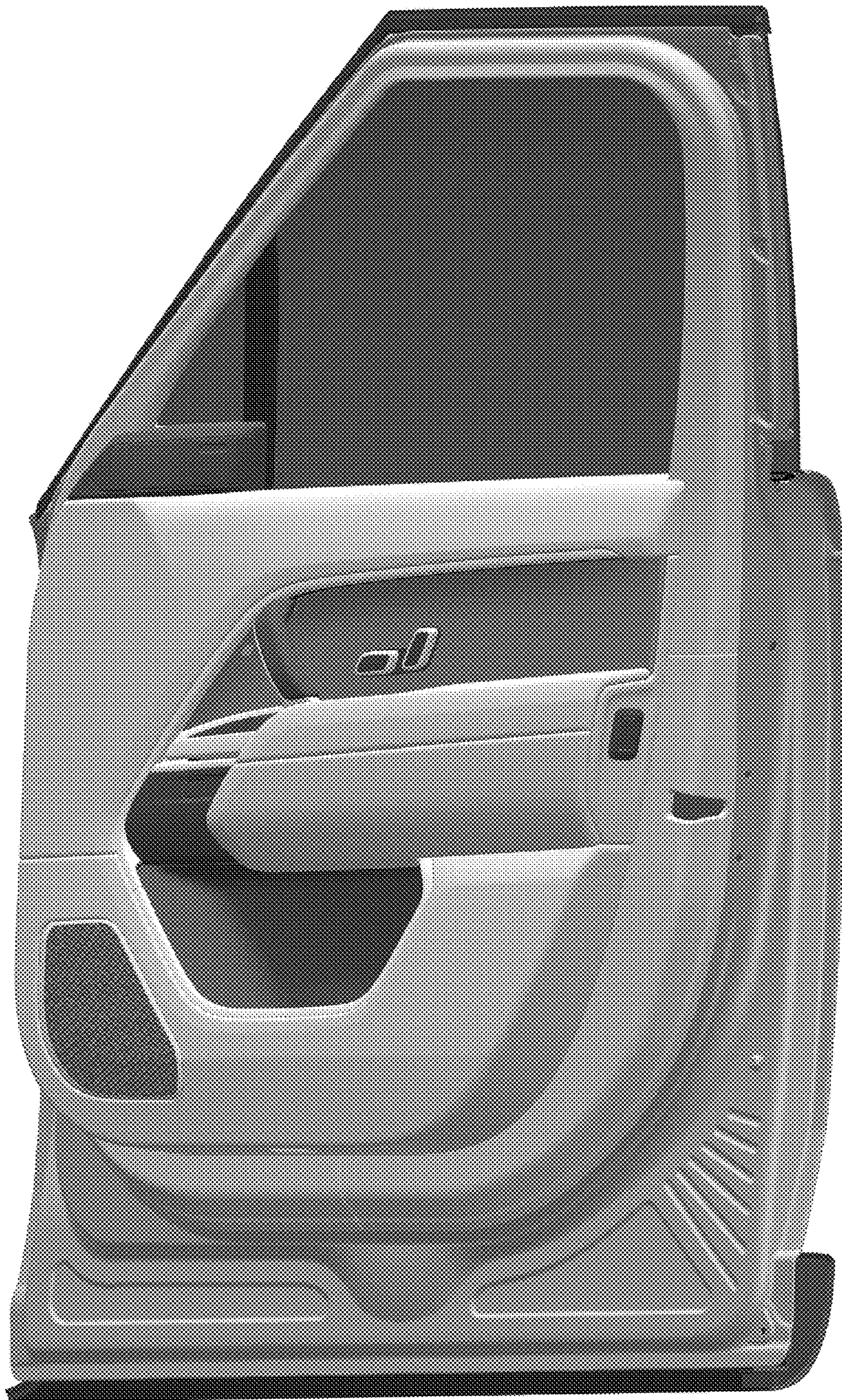


FIG. 4

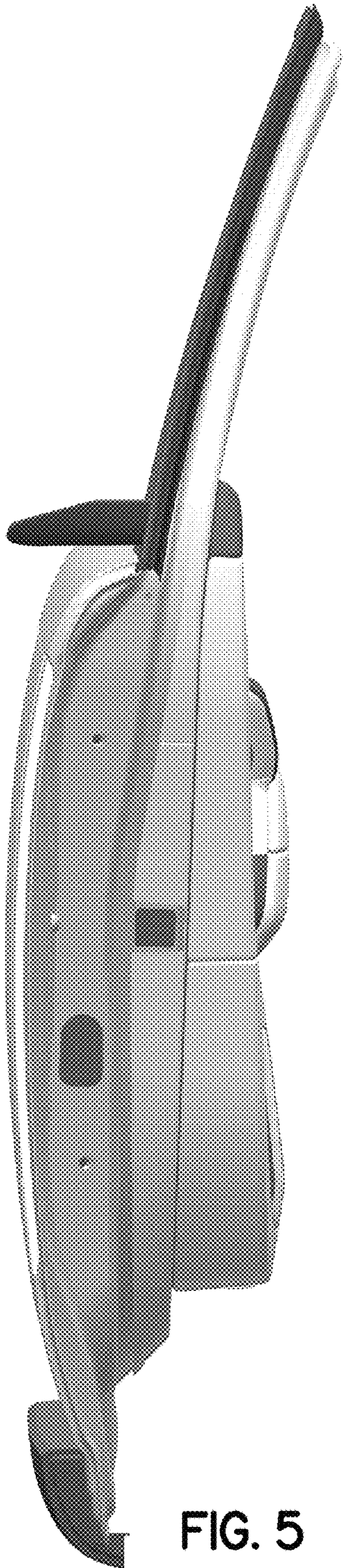


FIG. 5

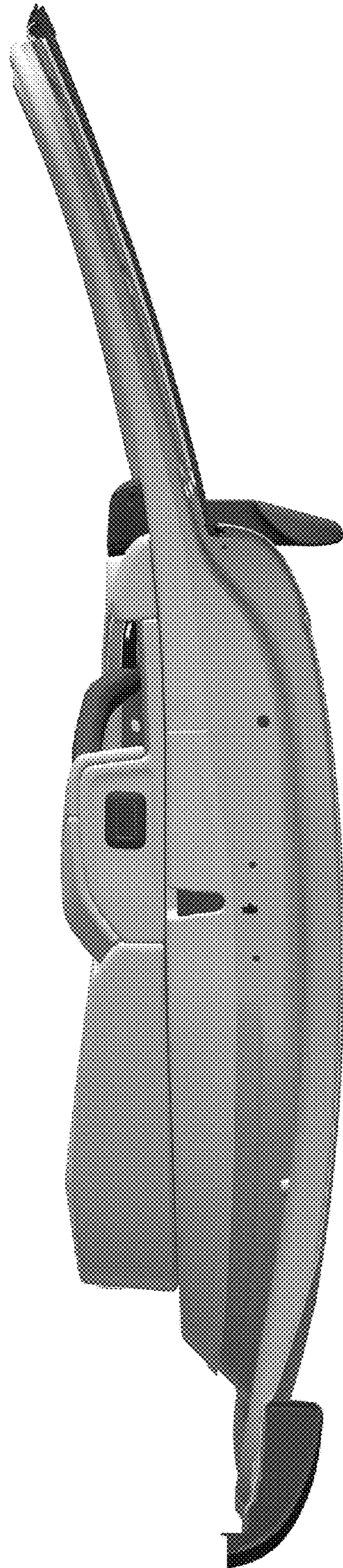


FIG. 6

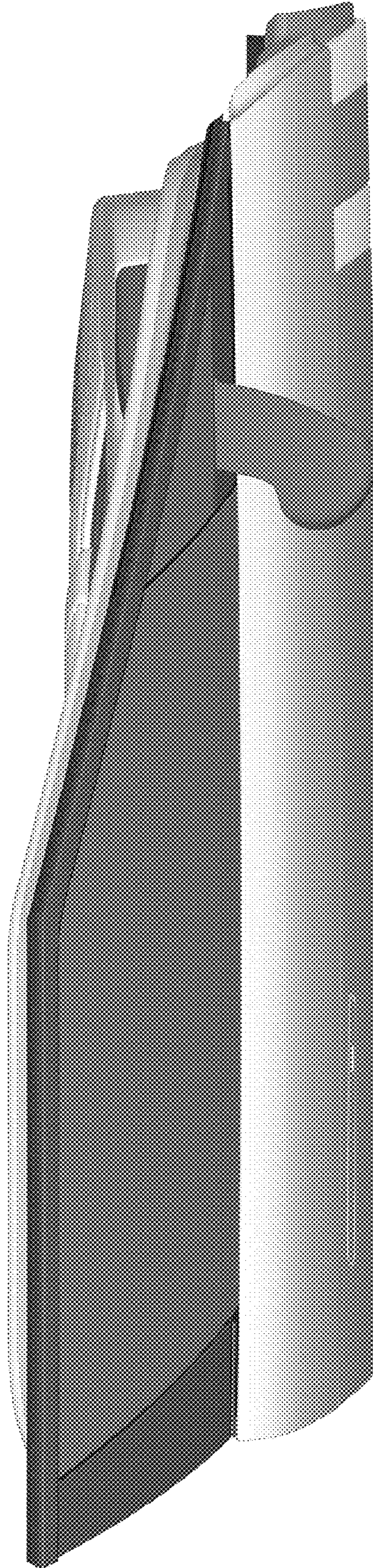


FIG. 7

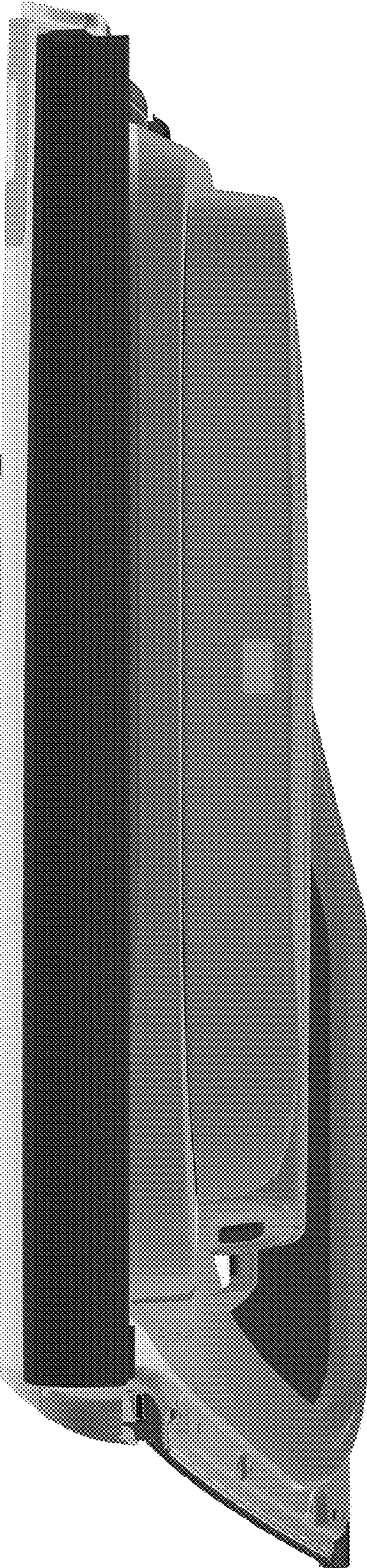


FIG. 8

UNITED STATES PATENT AND TRADEMARK OFFICE
CERTIFICATE OF CORRECTION

PATENT NO. : D978,042 S
APPLICATION NO. : 29/786791
DATED : February 14, 2023
INVENTOR(S) : Massimo Frascella et al.

Page 1 of 1

It is certified that error appears in the above-identified patent and that said Letters Patent is hereby corrected as shown below:

On the Title Page

Item (30), should read:

--(30) Foreign Application Priority Data

December 3, 2020 (EM).....008307979.--

Signed and Sealed this
Fourth Day of July, 2023



Katherine Kelly Vidal
Director of the United States Patent and Trademark Office