



US00D978039S

(12) **United States Design Patent**
Manzoni

(10) **Patent No.:** **US D978,039 S**
(45) **Date of Patent:** **** Feb. 14, 2023**

- (54) **DASHBOARD FOR VEHICLES**
- (71) Applicant: **Ferrari S.p.A.**, Modena (IT)
- (72) Inventor: **Flavio Manzoni**, Maranello (IT)
- (73) Assignee: **FERRARI S.p.A.**, Modena (IT)
- (**) Term: **15 Years**
- (21) Appl. No.: **29/784,812**
- (22) Filed: **May 21, 2021**

Related U.S. Application Data

- (62) Division of application No. 35/509,090, filed on Oct. 14, 2019 (U.S. filing date under 35 U.S.C. 384), and having an international filing date of Oct. 14, 2019, now Pat. No. Des. 938,878.

(30) **Foreign Application Priority Data**

Apr. 15, 2019 (EM) 006377685

- (51) **LOC (14) Cl.** **12-11**
- (52) **U.S. Cl.**
USPC **D12/192**

(58) **Field of Classification Search**

USPC D12/110, 114, 192, 415; D10/46, 98,
D10/102-103, 122-127; D15/17, 28
CPC B60K 35/00; B60K 37/04; B60K 37/06;
B60R 11/0235; B60R 11/0252
See application file for complete search history.

(56) **References Cited**

U.S. PATENT DOCUMENTS

- D697,461 S * 1/2014 Norman D12/192
- D697,462 S * 1/2014 Yamazaki D12/192
- D704,609 S * 5/2014 Nakauchi D12/192

- D726,611 S * 4/2015 Higashimori D12/192
- D727,817 S * 4/2015 Schroeder D12/192
- D730,805 S * 6/2015 Tran D12/345
- D756,279 S * 5/2016 Shouno D12/192
- D761,709 S * 7/2016 Shimizu D12/192
- D770,348 S * 11/2016 Shimizu D12/192
- D817,832 S * 5/2018 Maezono D12/192
- D828,260 S * 9/2018 Takagi D12/192
- D837,117 S * 1/2019 Manzoni D12/192
- D844,516 S * 4/2019 Yu D12/192
- D847,055 S * 4/2019 De Vienne D12/192
- D853,919 S * 7/2019 Hazumi D12/415
- D893,373 S * 8/2020 Selipanov D12/192
- 2016/0129871 A1 * 5/2016 Knauf B60R 13/0256
280/730.1
- 2018/0032138 A1 * 2/2018 Yasuoka G06F 3/016
- 2018/0079284 A1 * 3/2018 Choi B60J 3/04

* cited by examiner

Primary Examiner — Darlington Ly

(74) *Attorney, Agent, or Firm* — Cowan, Liebowitz & Latman, P.C.; Anastasia Zhadina

(57) **CLAIM**

The ornamental design for a dashboard for vehicles, as shown and described.

DESCRIPTION

FIG. 1 is a front perspective view of the dashboard for vehicles showing my design;
 FIG. 2 is a front view thereof;
 FIG. 3 is an enlarged front perspective view thereof;
 FIG. 4 is an enlarged front view thereof;
 FIG. 5 is a top view thereof;
 FIG. 6 is a portion of the front view shown in FIG. 4; and,
 FIG. 7 is another portion of the front view shown in FIG. 4.
 Portions of the dashboard for vehicles shown in broken lines form no part of the claimed design.

1 Claim, 7 Drawing Sheets

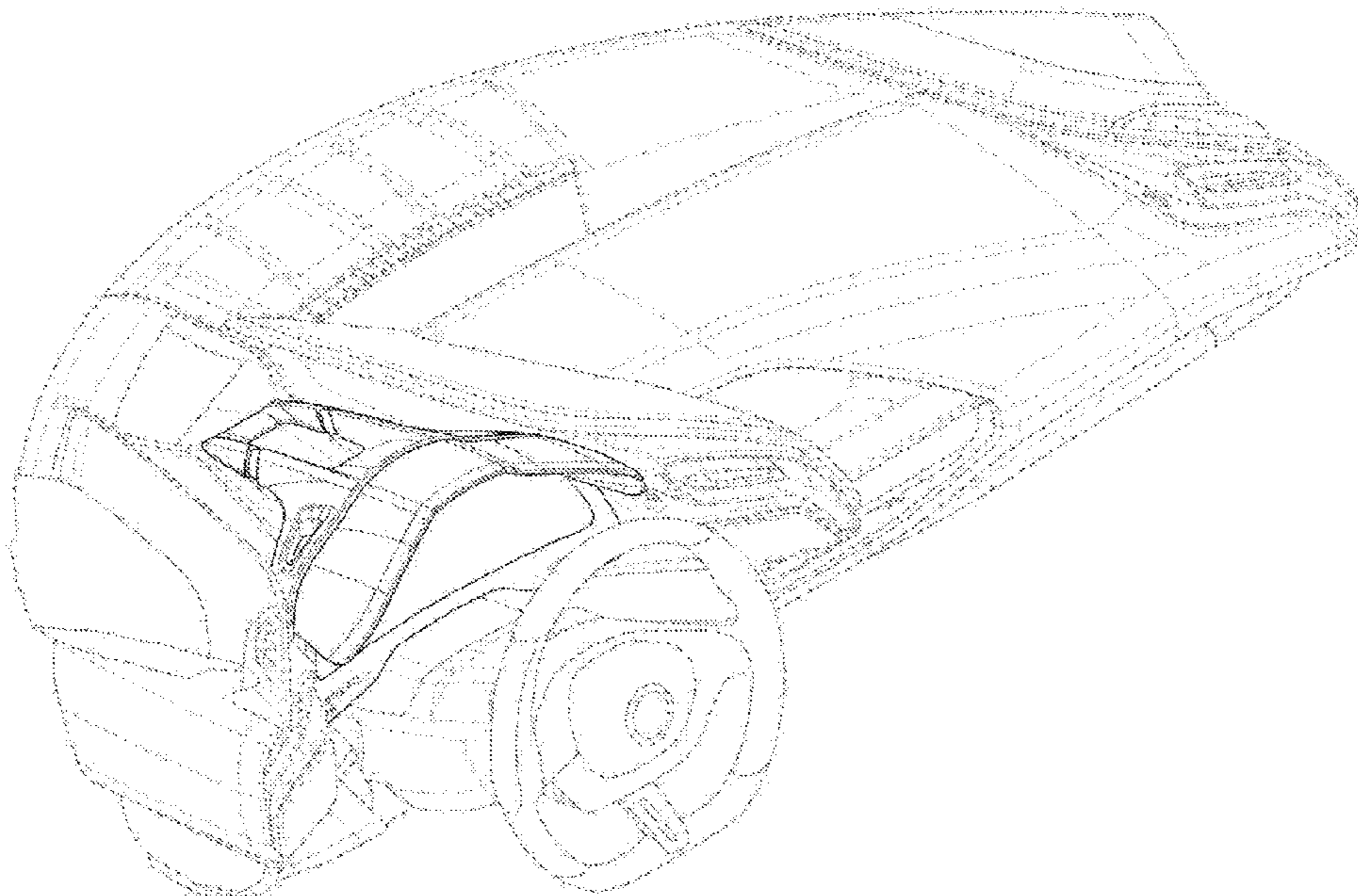


FIG. 1

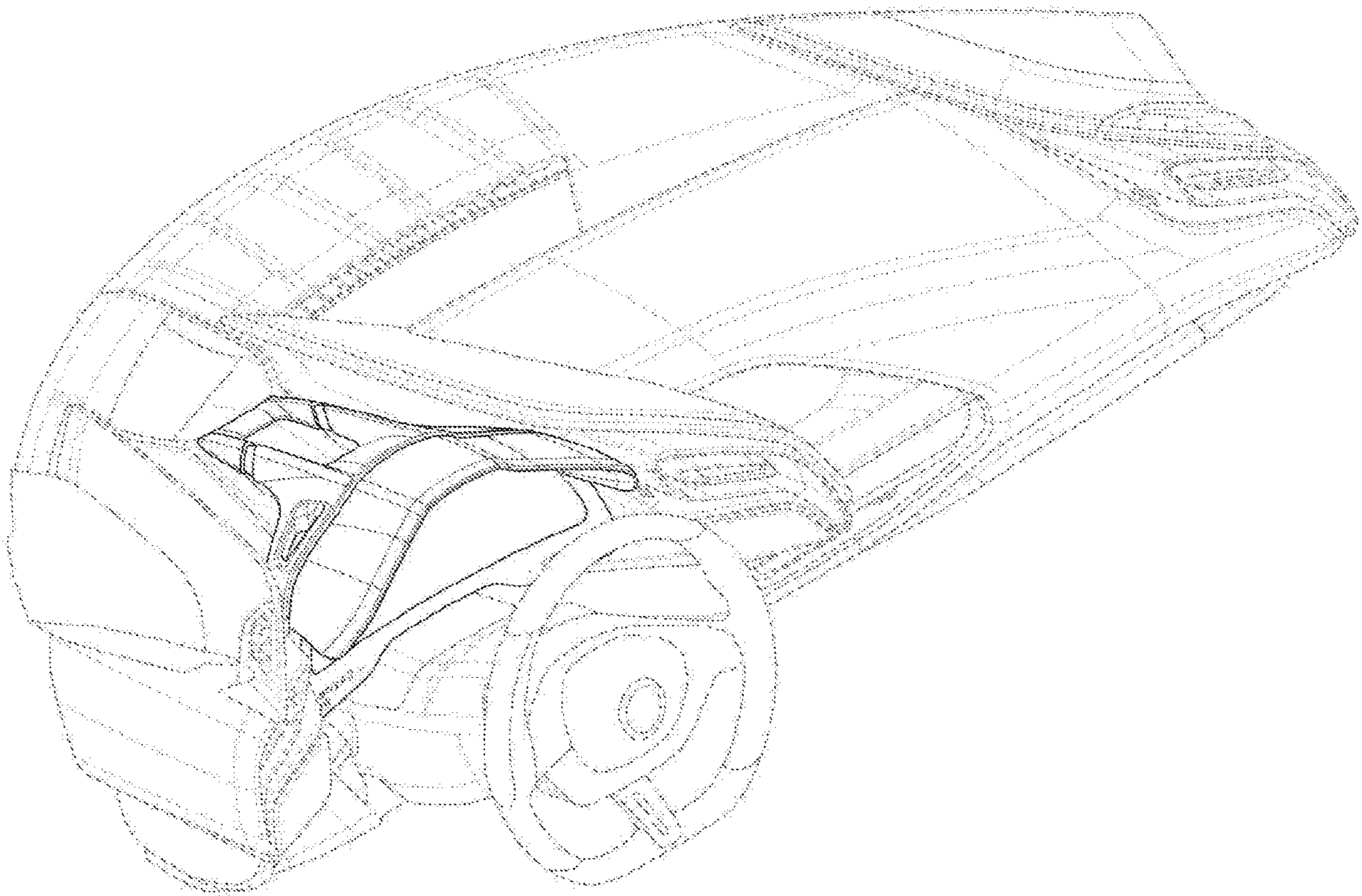


FIG. 2

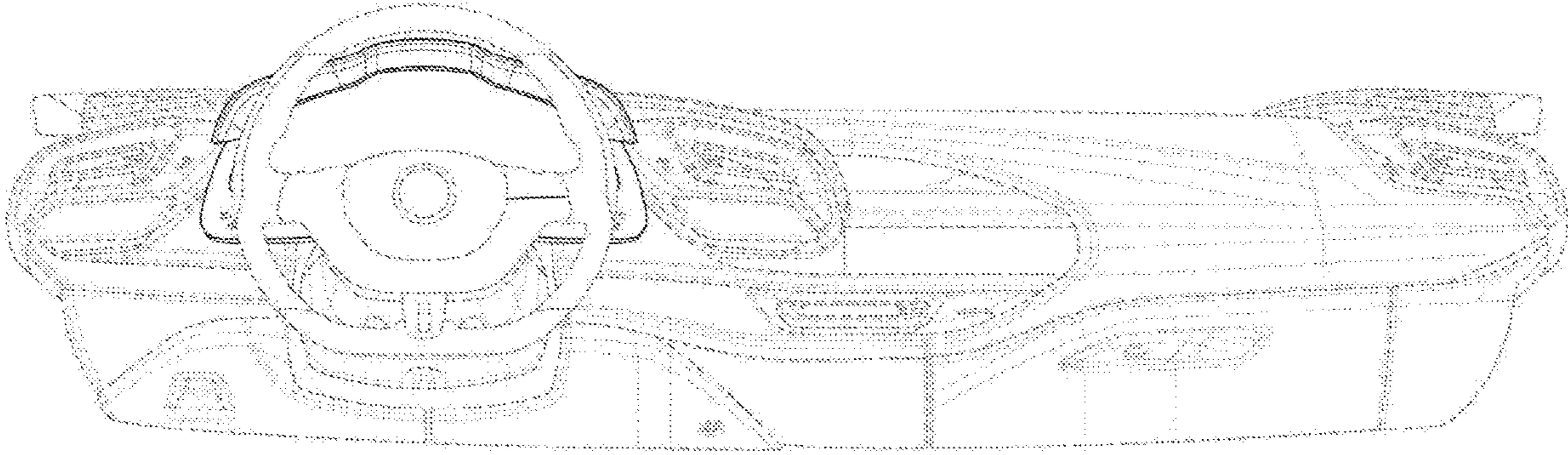


FIG. 3

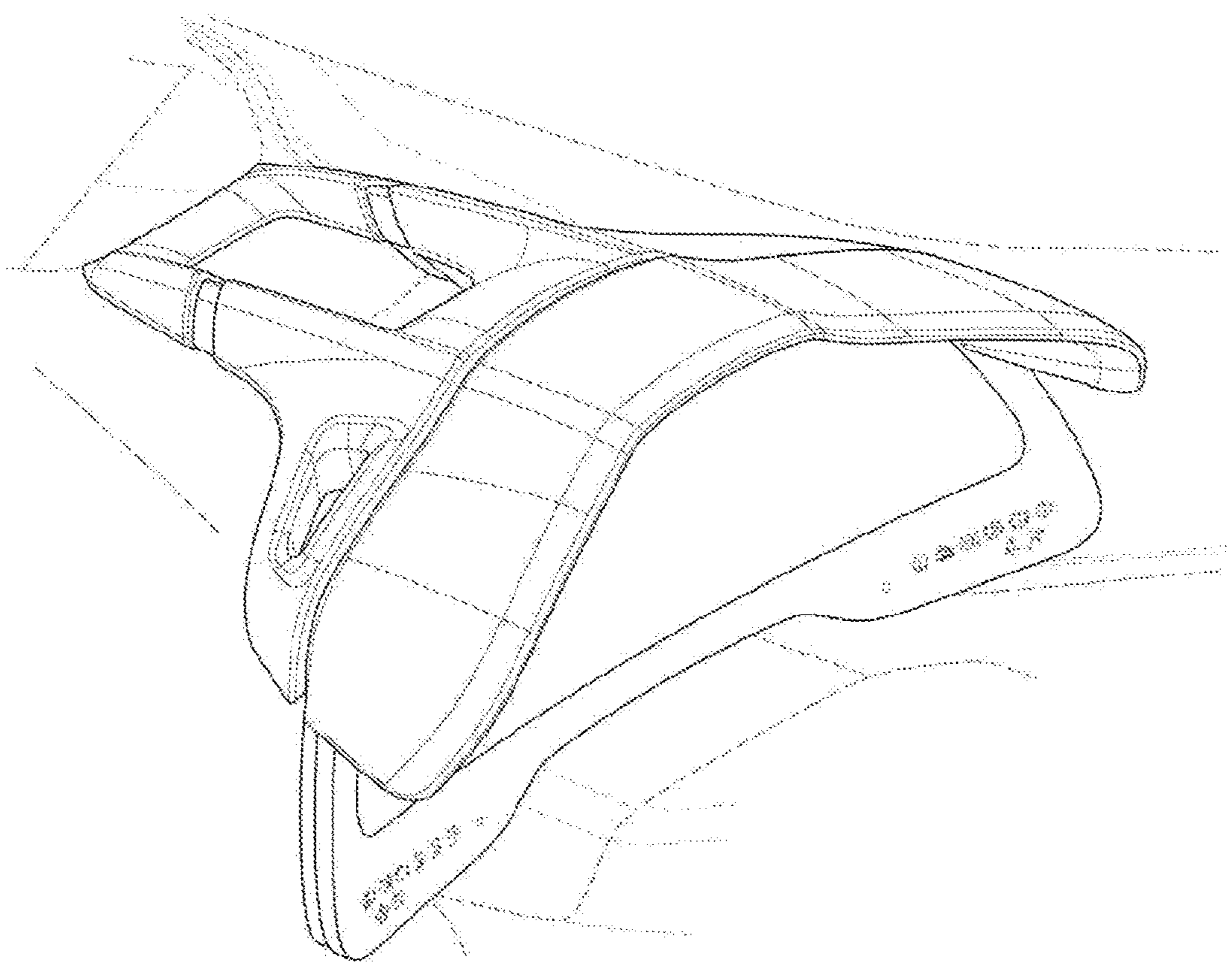


FIG. 4

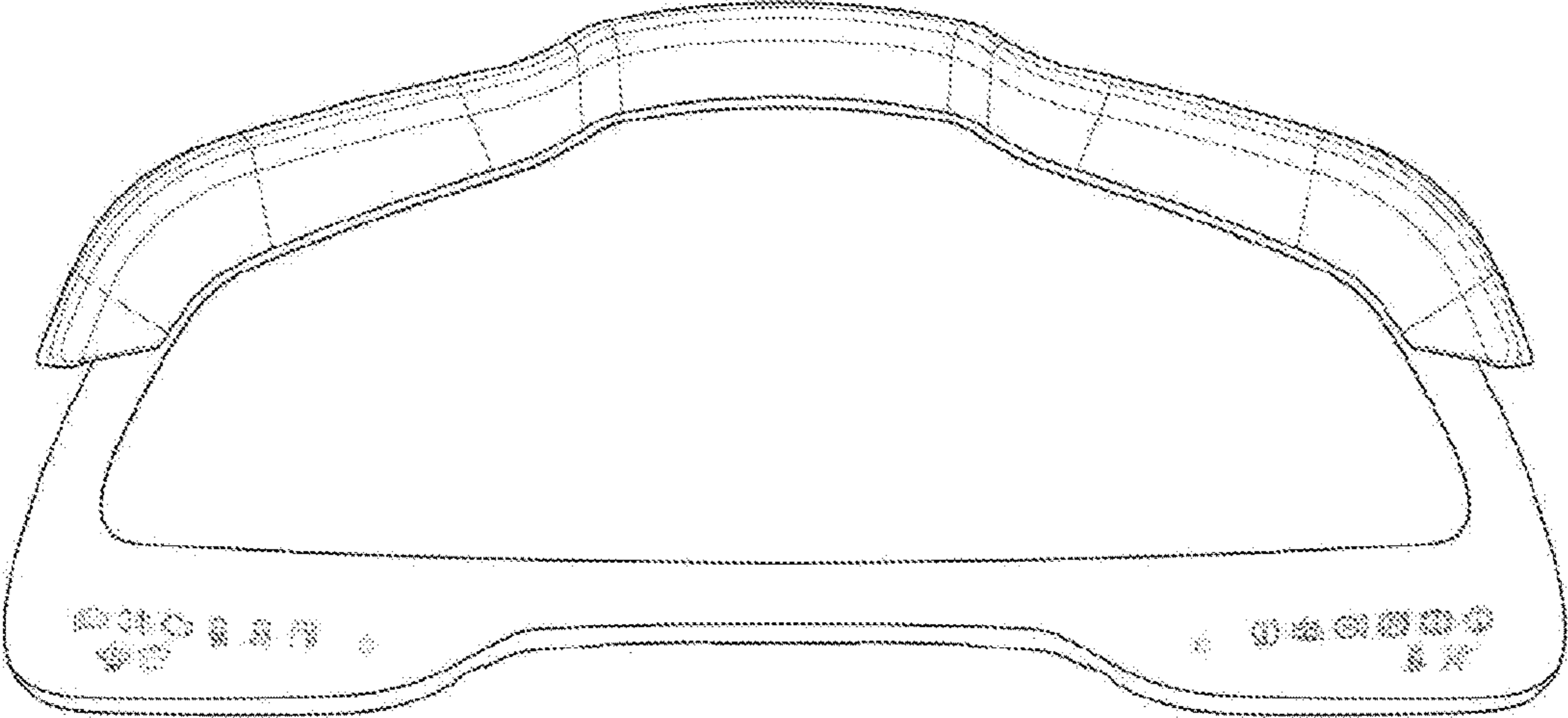


FIG. 5

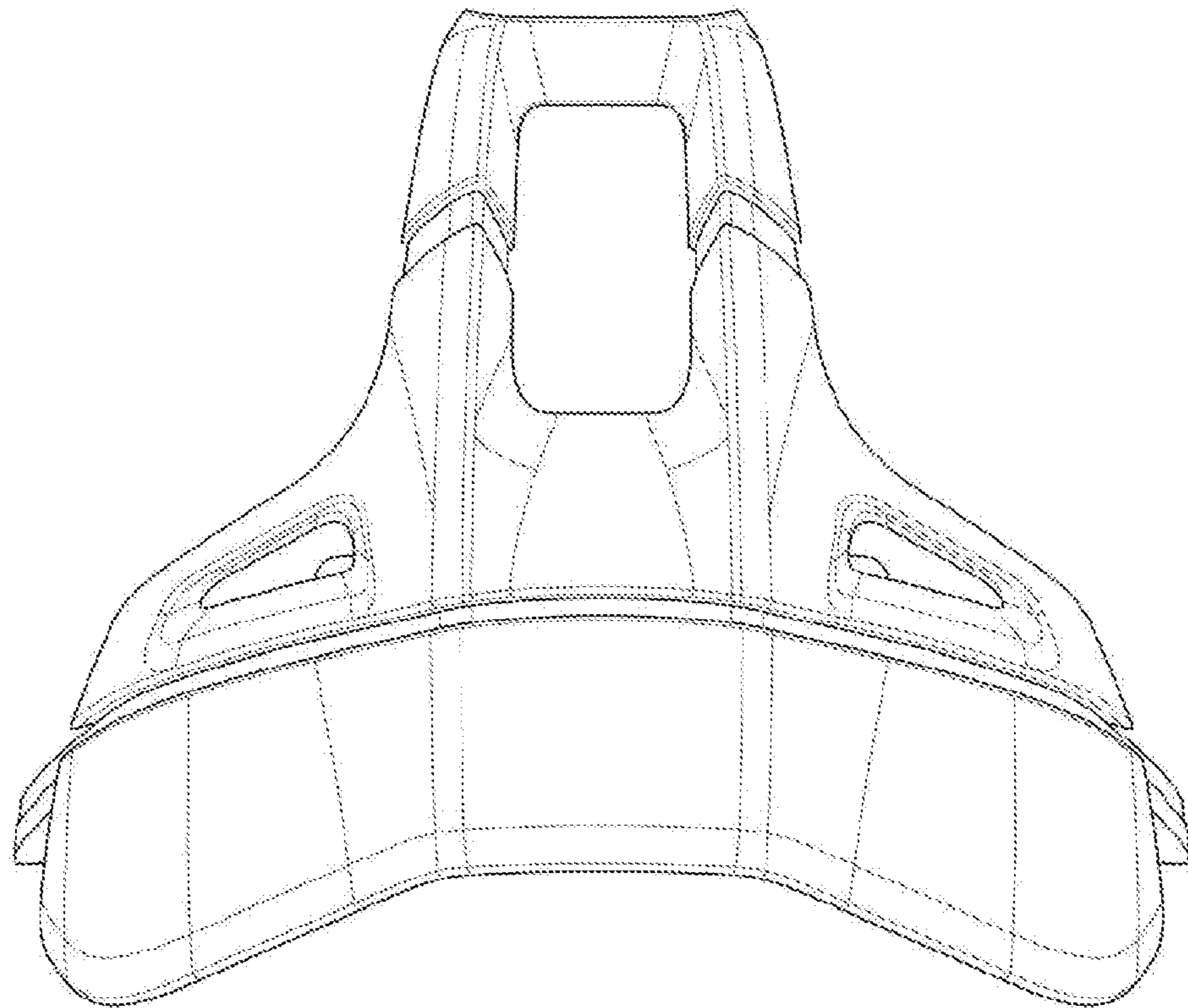


FIG. 6

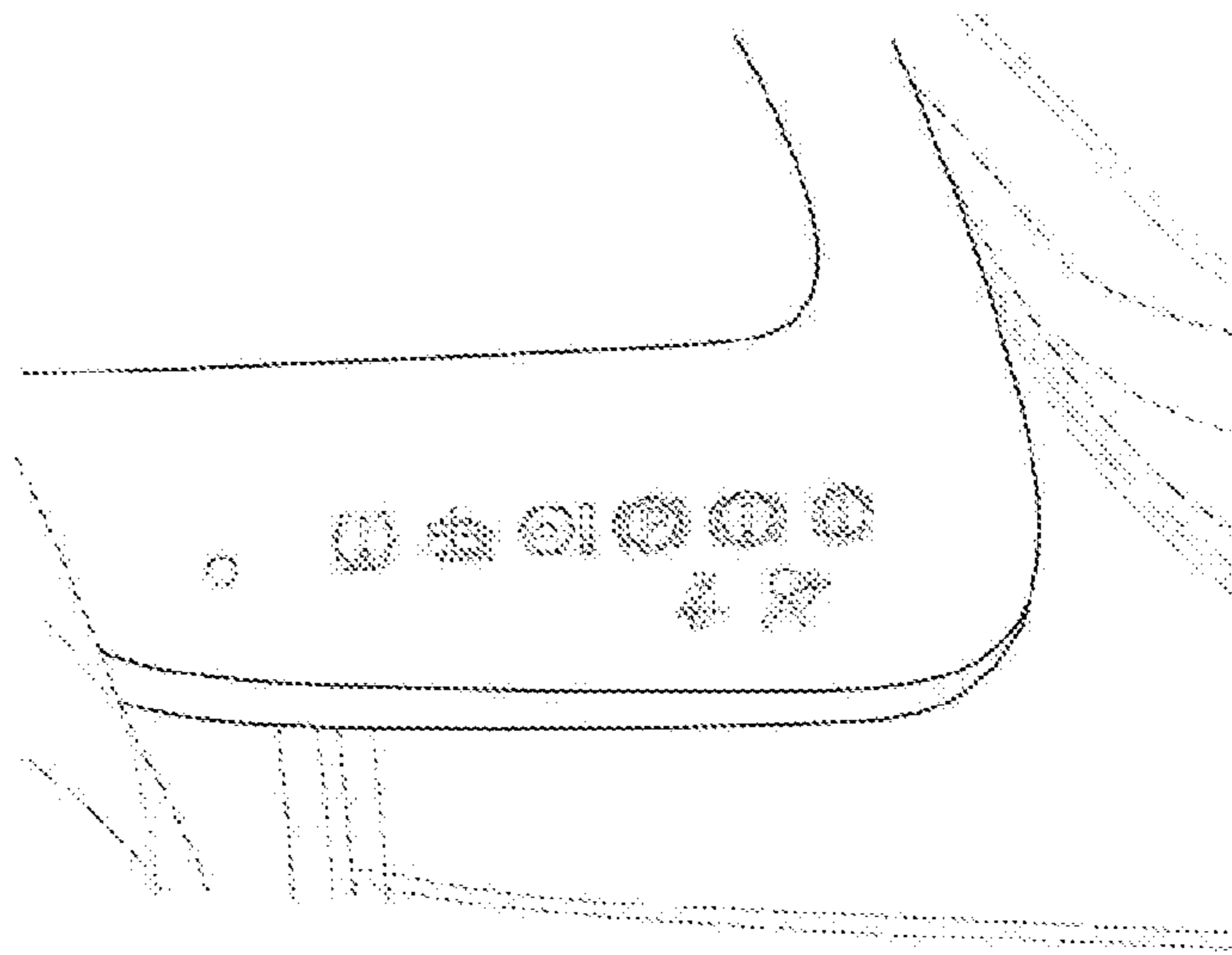


FIG. 7

