



US00D978035S

(12) **United States Design Patent** (10) **Patent No.:** **US D978,035 S**
Kim et al. (45) **Date of Patent:** **** Feb. 14, 2023**

(54) **FRONT BUMPER**

- (71) Applicant: **Canoo Technologies Inc.**, Torrance, CA (US)
- (72) Inventors: **Richard Kim**, Los Angeles, CA (US); **Jackson E. Luttig**, Rancho Palos Verdes, CA (US); **Iliya Bridan**, Torrance, CA (US); **Mark Smith**, Torrance, CA (US); **Brian E. Spencer**, Lakewood, CA (US); **Mike de Jung**, Torrance, CA (US)
- (73) Assignee: **Canoo Technologies Inc.**, Torrance, CA (US)

(**) Term: **15 Years**

(21) Appl. No.: **29/788,532**

(22) Filed: **Jun. 17, 2021**

(51) **LOC (14) Cl.** **12-16**

(52) **U.S. Cl.**
USPC **D12/169**

(58) **Field of Classification Search**
USPC D12/86, 90, 92, 163, 169, 196
CPC B60R 2019/25; B62D 25/084
See application file for complete search history.

(56) **References Cited**

U.S. PATENT DOCUMENTS

D951,369 S *	5/2022	Sprowl	D21/561
D955,304 S *	6/2022	Gunnarson	D12/169
D955,933 S *	6/2022	Jevremovic	D12/169
D955,935 S *	6/2022	De Leon	D12/169
D955,936 S *	6/2022	Chen	D12/169
D955,939 S *	6/2022	Buller	D12/169
D955,941 S *	6/2022	Buller	D12/169
D956,636 S *	7/2022	Bucher	D12/169
D958,021 S *	7/2022	Pena	D12/169
D958,022 S *	7/2022	Kim	D12/169
D960,254 S *	8/2022	Ewing	D21/561
D960,779 S *	8/2022	De Leon	D12/169
D960,783 S *	8/2022	Gunnarson	D12/169

OTHER PUBLICATIONS

Bumpers (Design—© Questel) orbit.com. [Online PDF compilation of references] 36 pgs. Print Dates Range May 18, 2022-Sep. 10, 2021 [Retrieved Sep. 16, 2022].*

Padeanu, Adrian. Canoo Electric Pickup Revealed With Pull-Out Bed And Side Storage. Mar. 11, 2021. Motor 1. <https://www.motor1.com/news/493673/canoo-electric-pickup-truck-reveal/>.*

Valdes-Dapena, Peter. Canoo unveils what might be the world's cutest electric pickup. Mar. 12, 2021. CNN Business. <https://www.cnn.com/2021/03/11/cars/canoo-electric-pickup-truck/index.html>.*

Sabina Aouf, Rima. Canoo's electric and extendable Pickup truck includes pop-out workspaces. Nov. 9, 2021. Dezeen. <https://www.dezeen.com/2021/11/09/canoo-electric-extendable-pickup-truck-design/>.*

* cited by examiner

Primary Examiner — George D. Kirschbaum
Assistant Examiner — Suzanne E Tisdell

(57) **CLAIM**

The ornamental design for a front bumper, as shown and described.

DESCRIPTION

FIG. 1 is a front perspective view of a front bumper on a vehicle;

FIG. 2 is an enlarged view of the portion of FIG. 1 depicting the front bumper

FIG. 3 is a front orthogonal view of the front bumper;

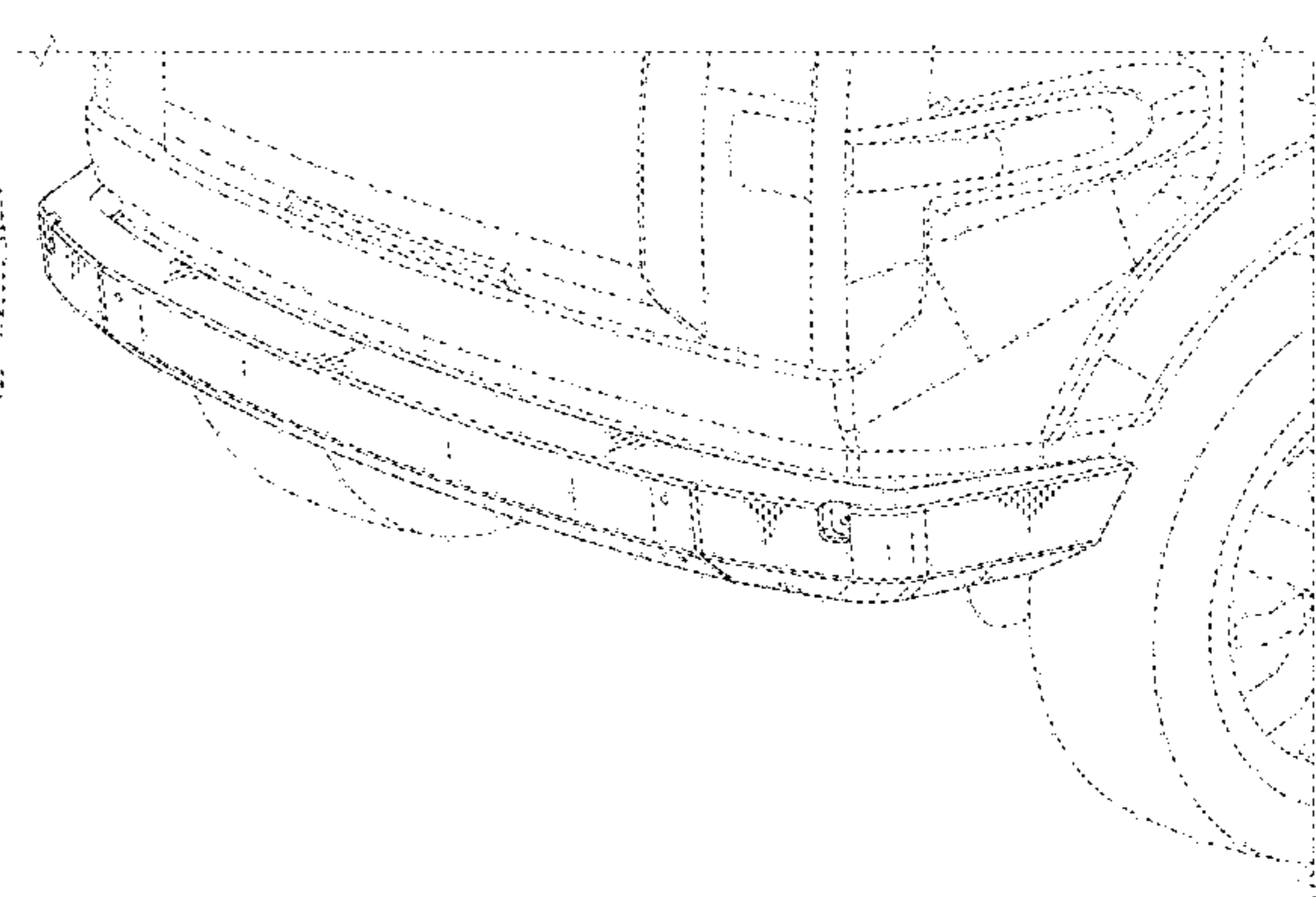
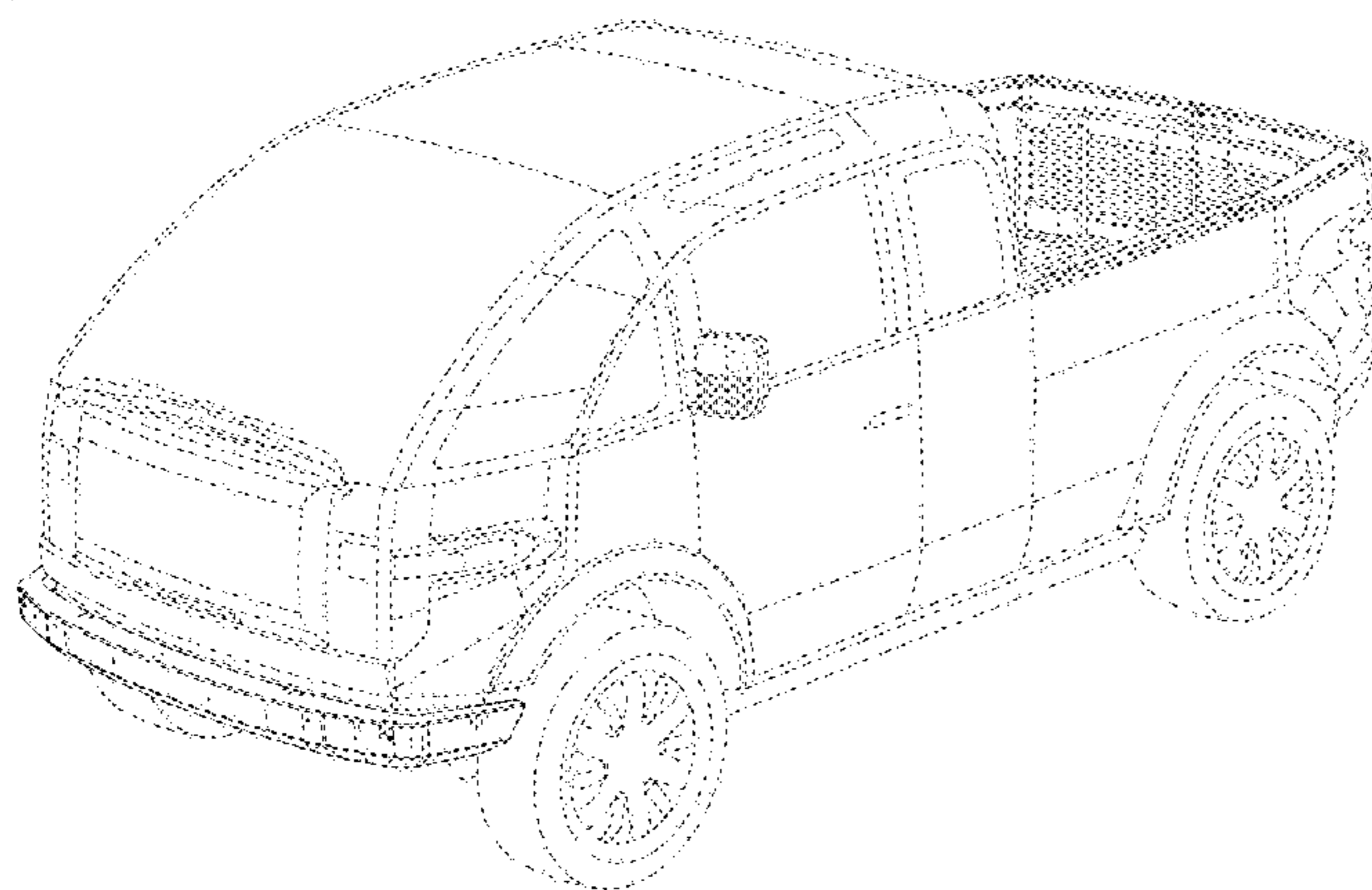
FIG. 4 is a left side orthogonal view of the front bumper, where the right side orthogonal view is substantially a mirror image;

FIG. 5 is a top orthogonal view of the front bumper; and,

FIG. 6 is a bottom orthogonal view of the front bumper.

The broken lines present in the drawings are included for the purpose of illustrating portions of the article which form no part of the claimed design.

1 Claim, 6 Drawing Sheets



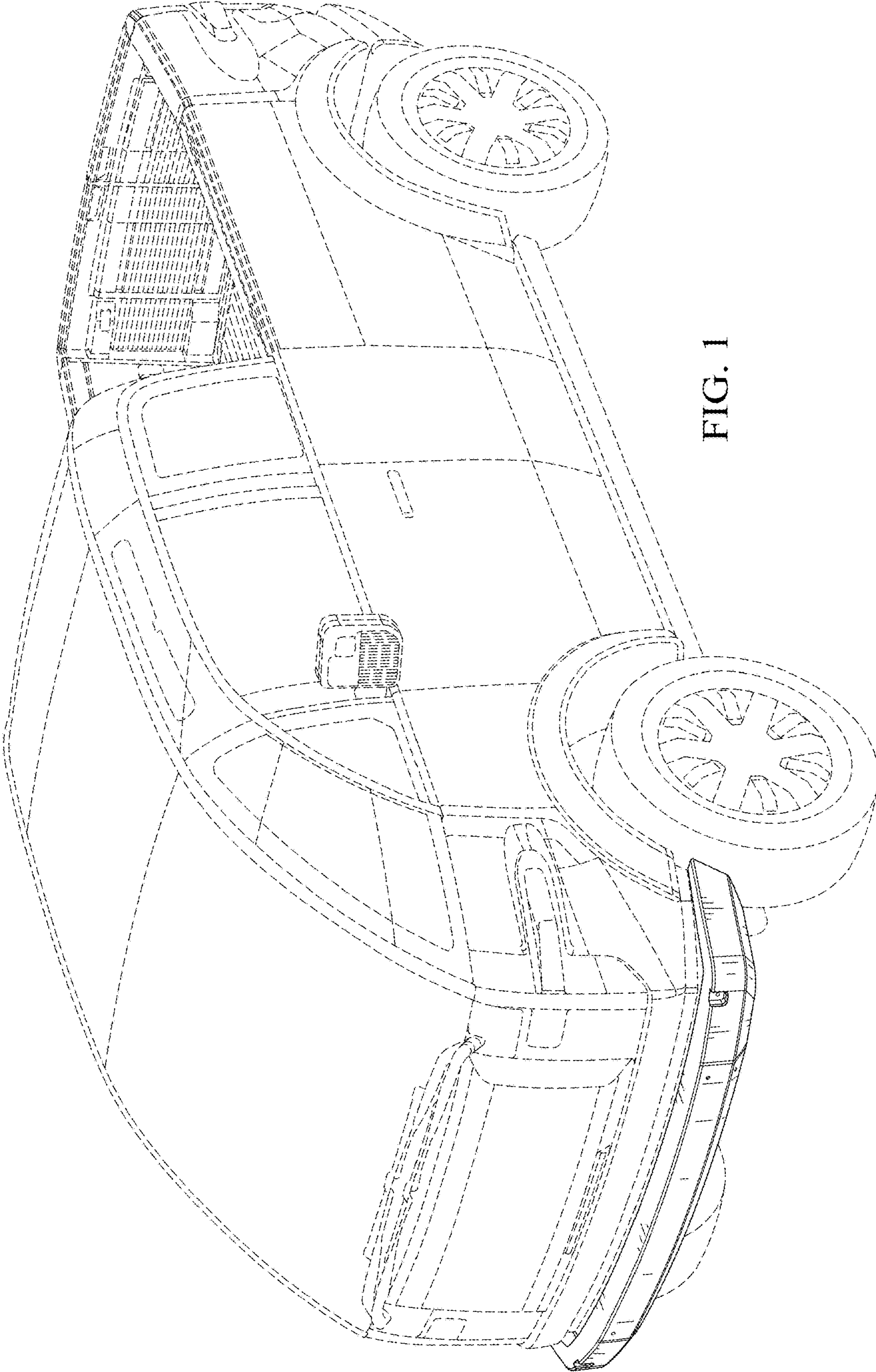


FIG. 1

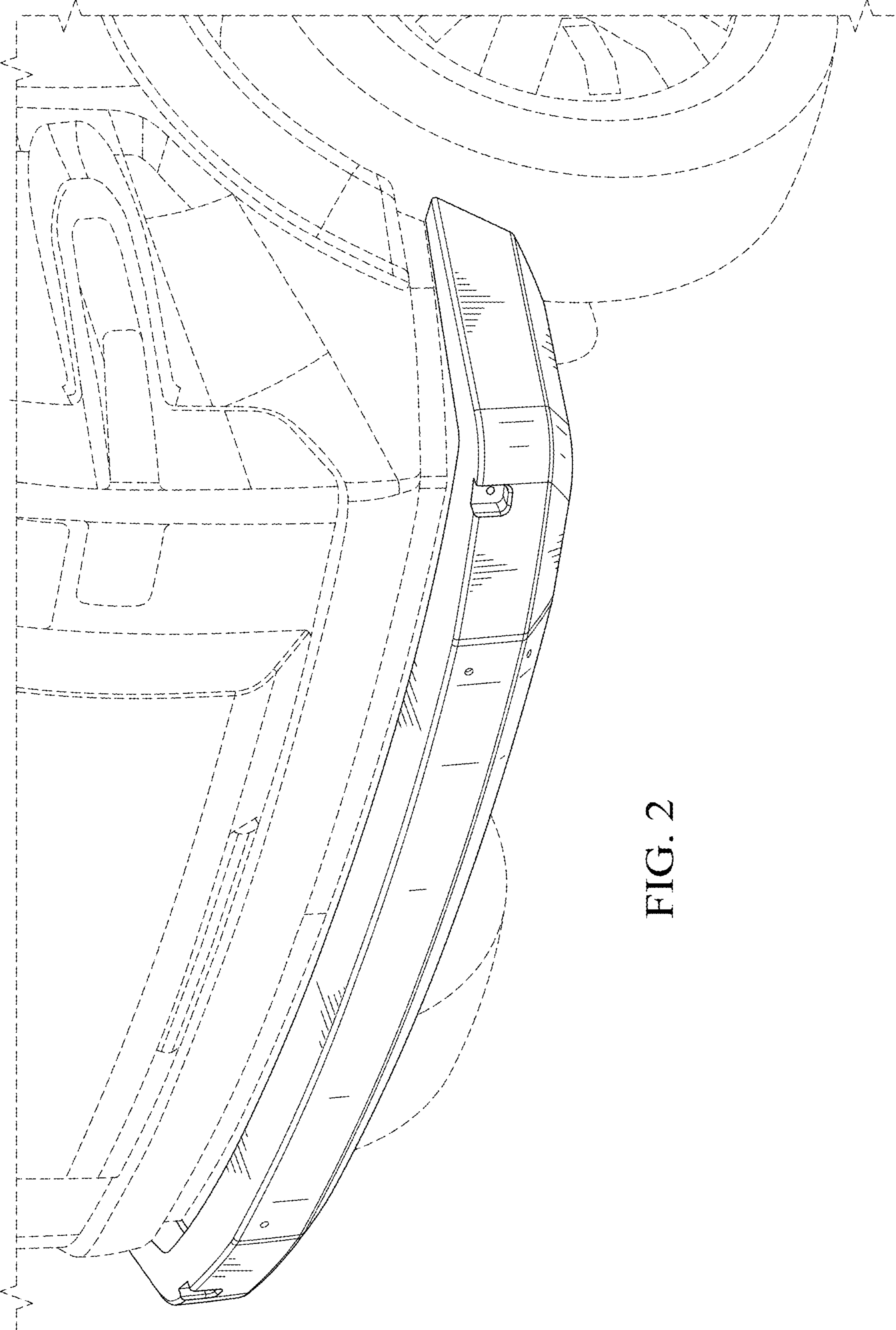


FIG. 2

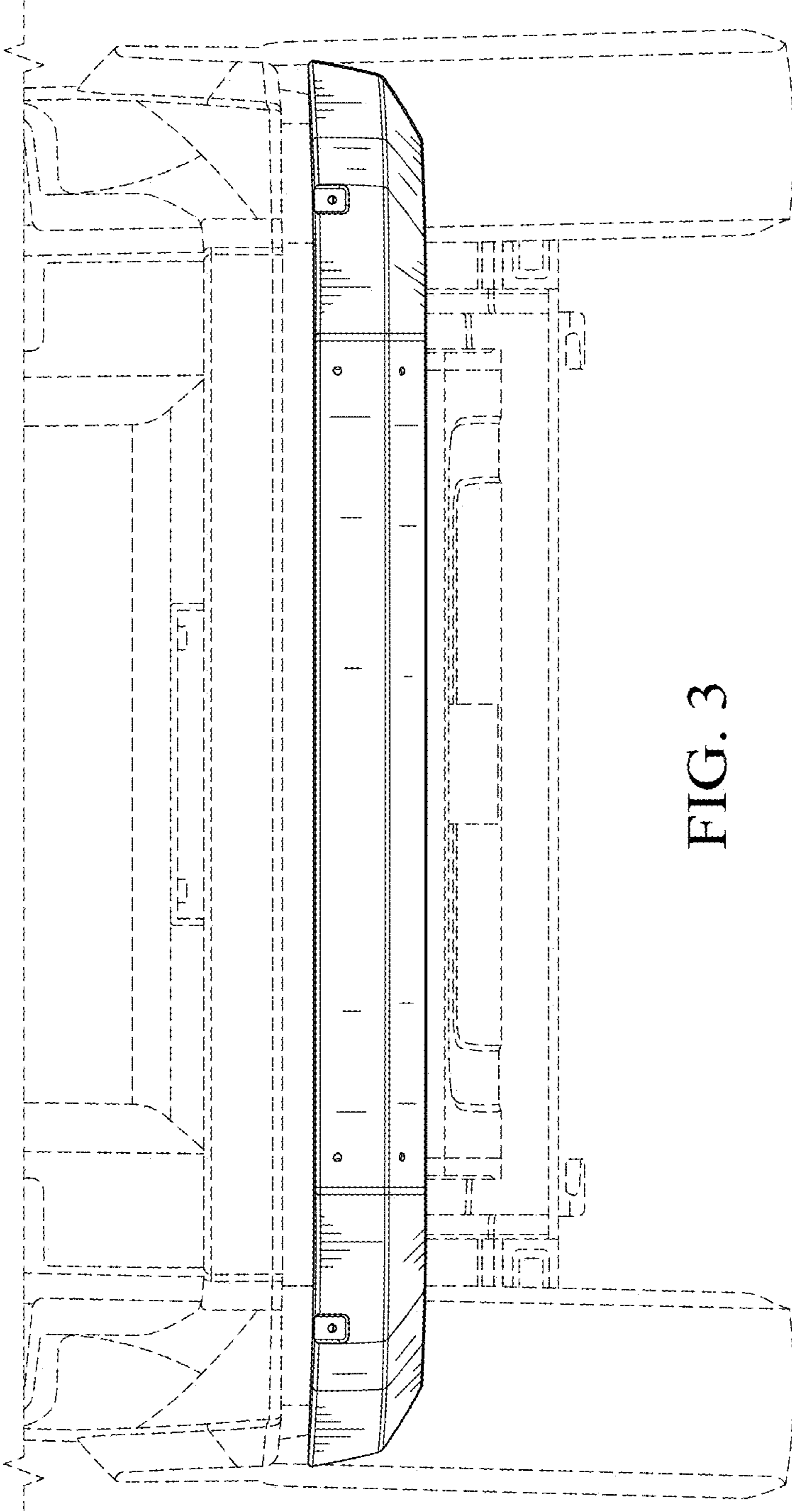


FIG. 3

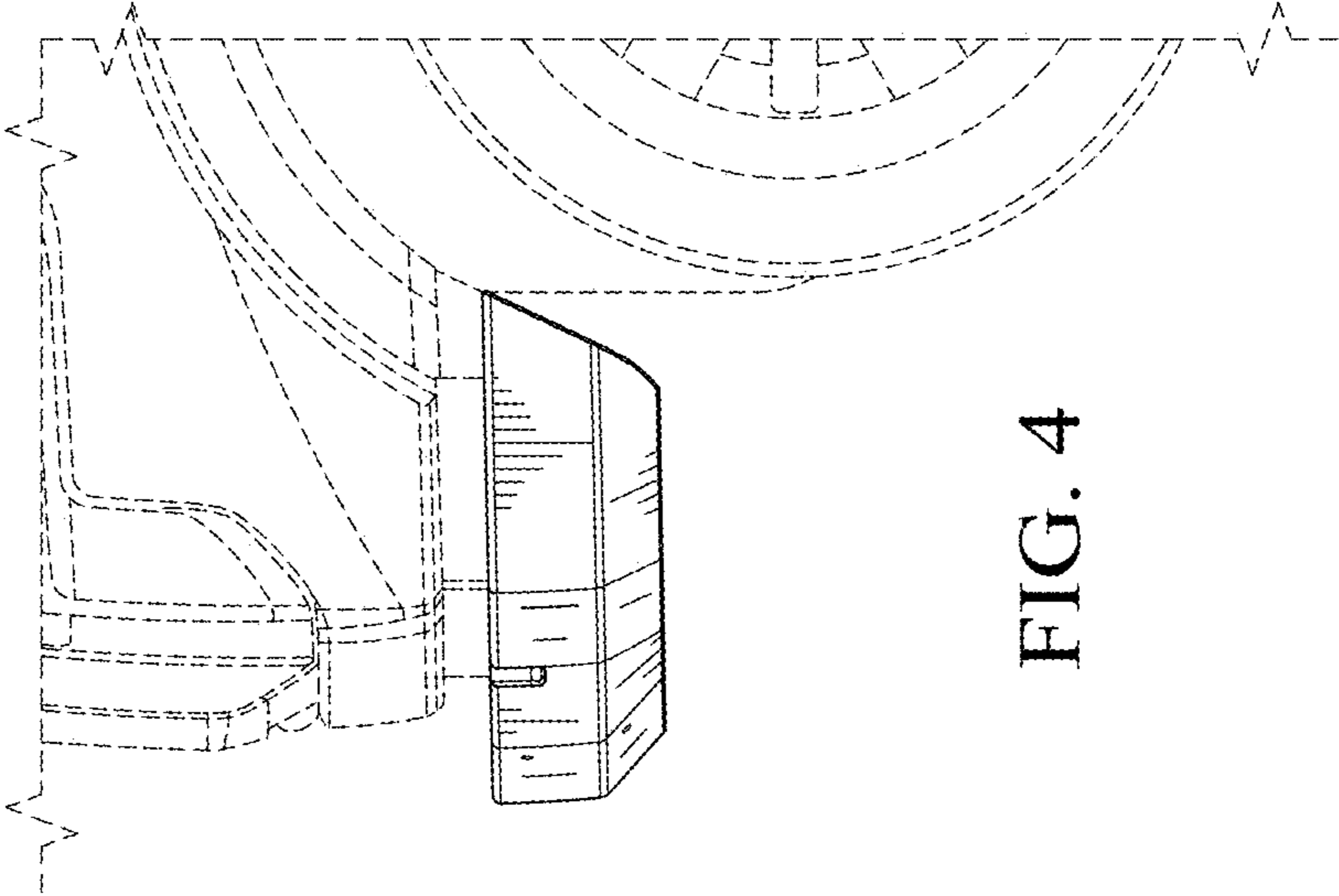


FIG. 4

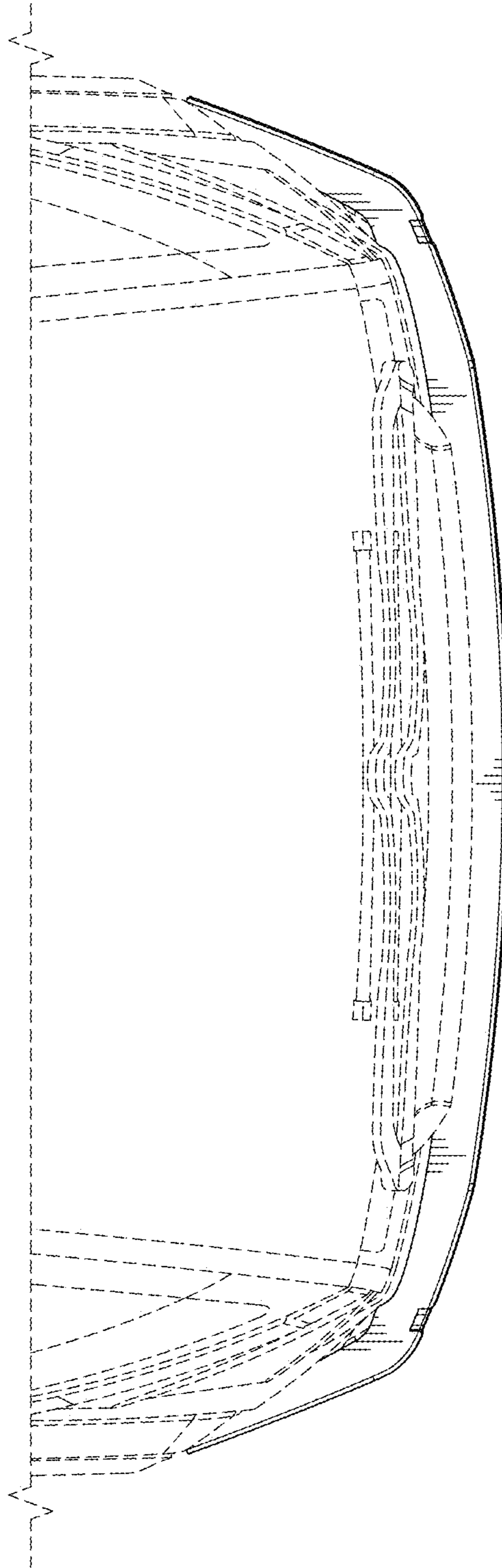


FIG. 5

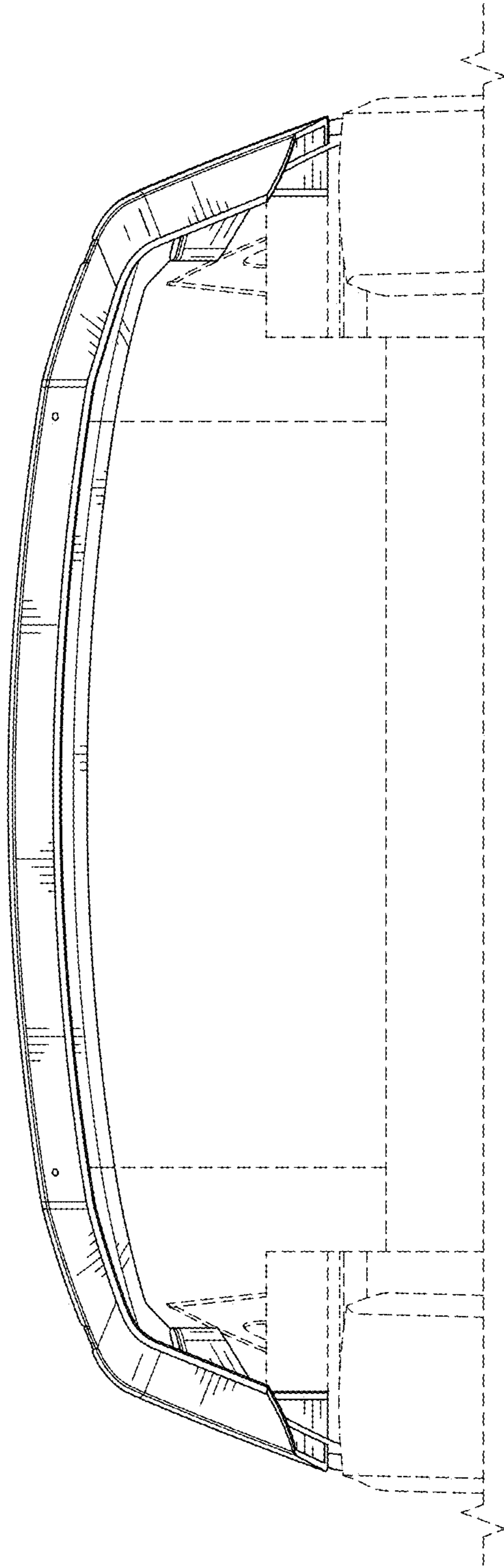


FIG. 6