



US00D978029S

(12) **United States Design Patent**
Zhang

(10) **Patent No.:** **US D978,029 S**

(45) **Date of Patent:** **** Feb. 14, 2023**

(54) **ELECTRIC SCOOTER**

(71) Applicant: **Taizhou Huangyan Huiling Plastic Industry Co., Ltd**, Taizhou (CN)

(72) Inventor: **Yunlin Zhang**, Taizhou (CN)

(**) Term: **15 Years**

(21) Appl. No.: **35/514,867**

(22) Filed: **Jul. 1, 2022**

(80) **Hague Agreement Data**

Int. Filing Date: **Jul. 1, 2022**

Int. Reg. No.: **DM/222335**

Int. Reg. Date: **Jul. 1, 2022**

Int. Reg. Pub. Date: **Aug. 5, 2022**

(51) **LOC (14) Cl.** **12-11**

(52) **U.S. Cl.**
USPC **D12/131**

(58) **Field of Classification Search**
USPC D12/16, 128-133
See application file for complete search history.

(56) **References Cited**

U.S. PATENT DOCUMENTS

D322,050 S * 12/1991 Kataoka D12/1
D377,325 S * 1/1997 Brown D12/16

D409,121 S * 5/1999 Imai D12/131
D444,421 S * 7/2001 Cheng D12/128
D460,028 S * 7/2002 Wu D12/128
D530,650 S * 10/2006 Azuma D12/131
D635,492 S * 4/2011 Art D12/133
D833,919 S * 11/2018 McCollough D12/131
D857,562 S * 8/2019 McCollough D12/131
D944,129 S * 2/2022 Son D12/131

* cited by examiner

Primary Examiner — Joseph Kukella

(57) **CLAIM**

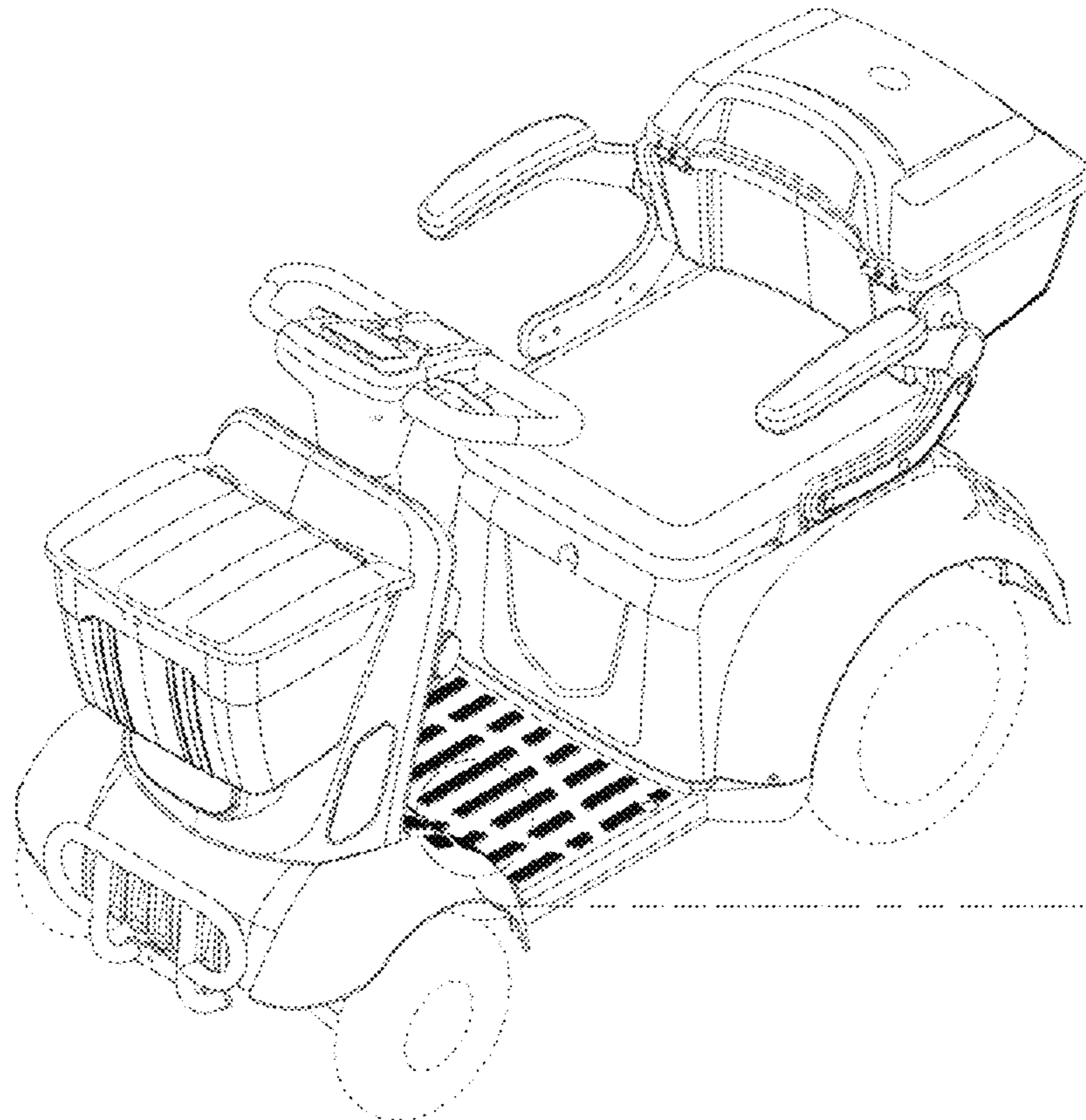
The ornamental design for an electric scooter, as shown and described.

DESCRIPTION

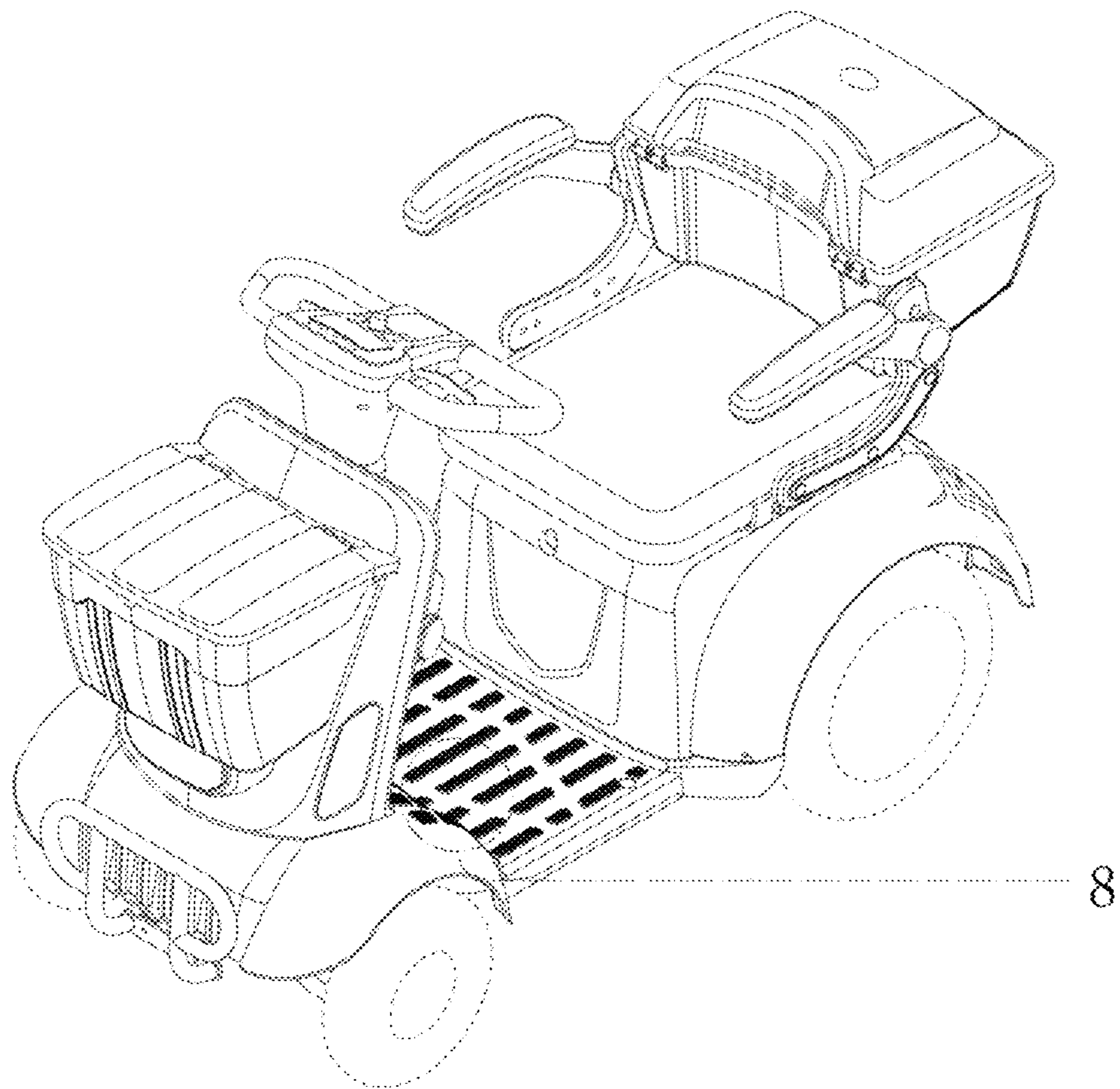
FIG. 1.1 is a perspective view of an electric scooter showing my new design;
FIG. 1.2 is another perspective view thereof;
FIG. 1.3 is a front elevation view thereof;
FIG. 1.4 is a rear elevation view thereof;
FIG. 1.5 is a left side elevation view thereof;
FIG. 1.6 is a right side elevation view thereof;
FIG. 1.7 is a top plan view thereof; and
FIG. 1.8 is a partially enlarged view of the electric scooter as shown in FIG. 1.1.

The broken lines shown in the figures illustrate environmental subject matter that forms no part of the claimed design.

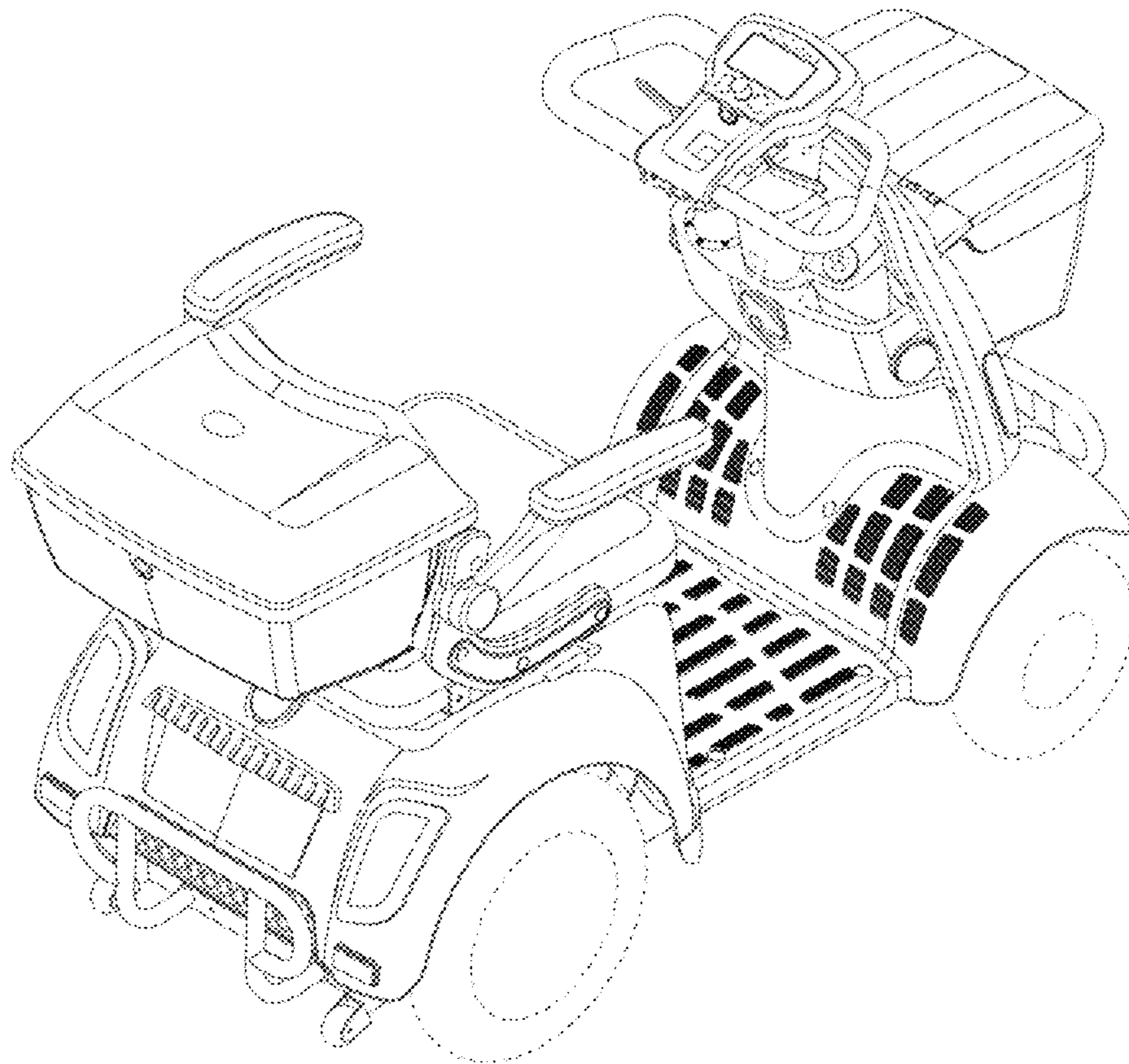
1 Claim, 8 Drawing Sheets



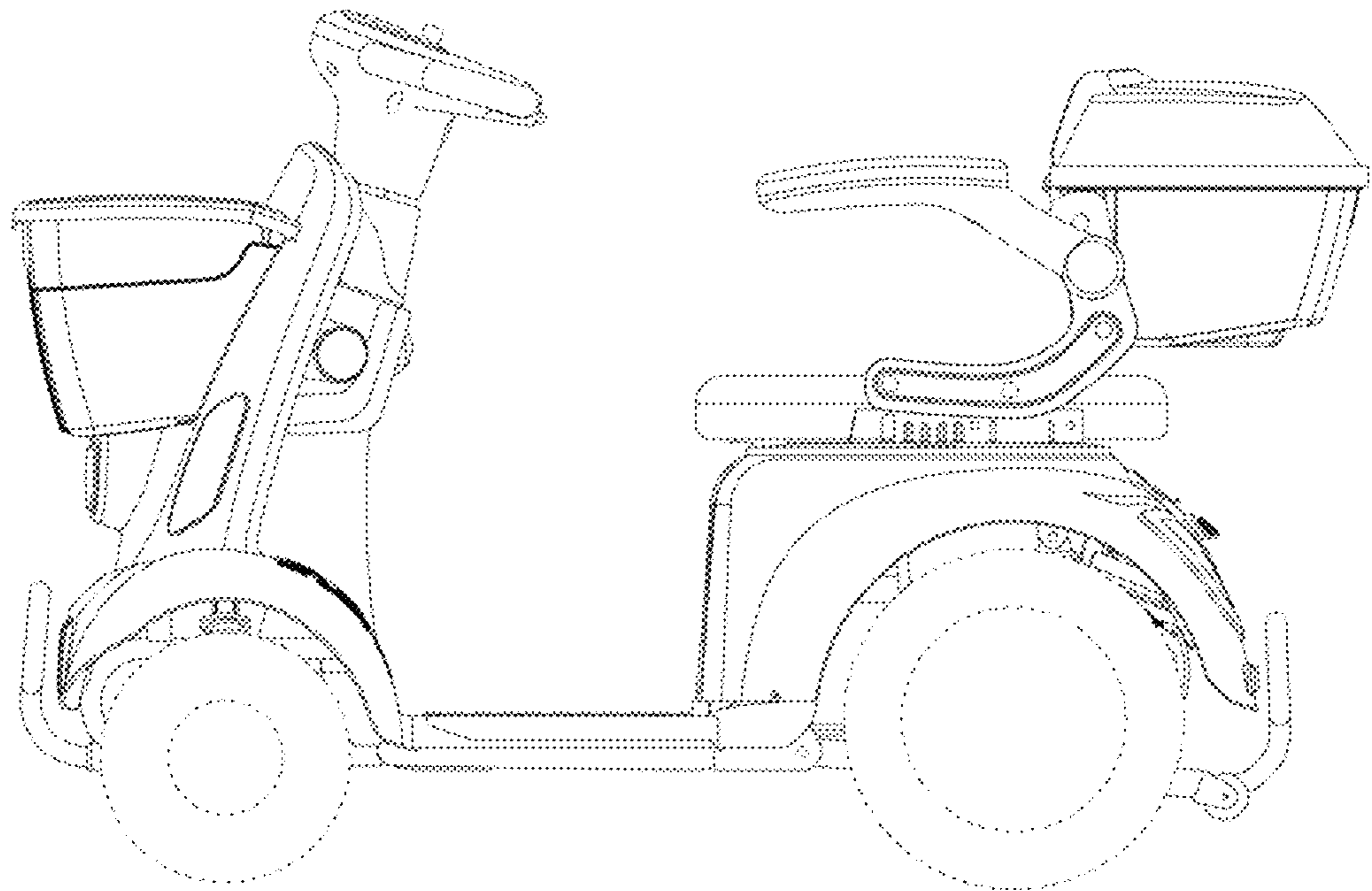
1.1



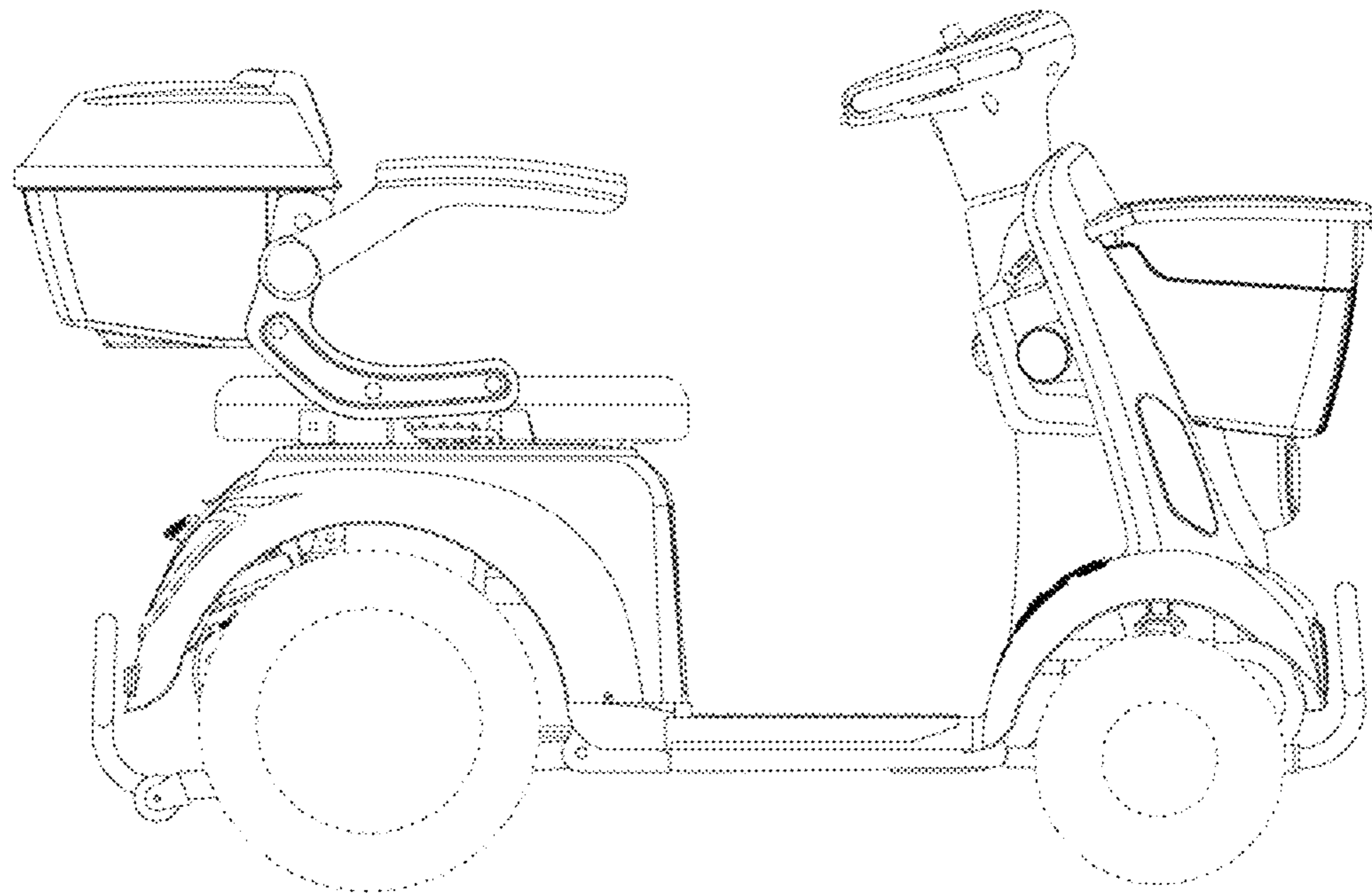
1.2



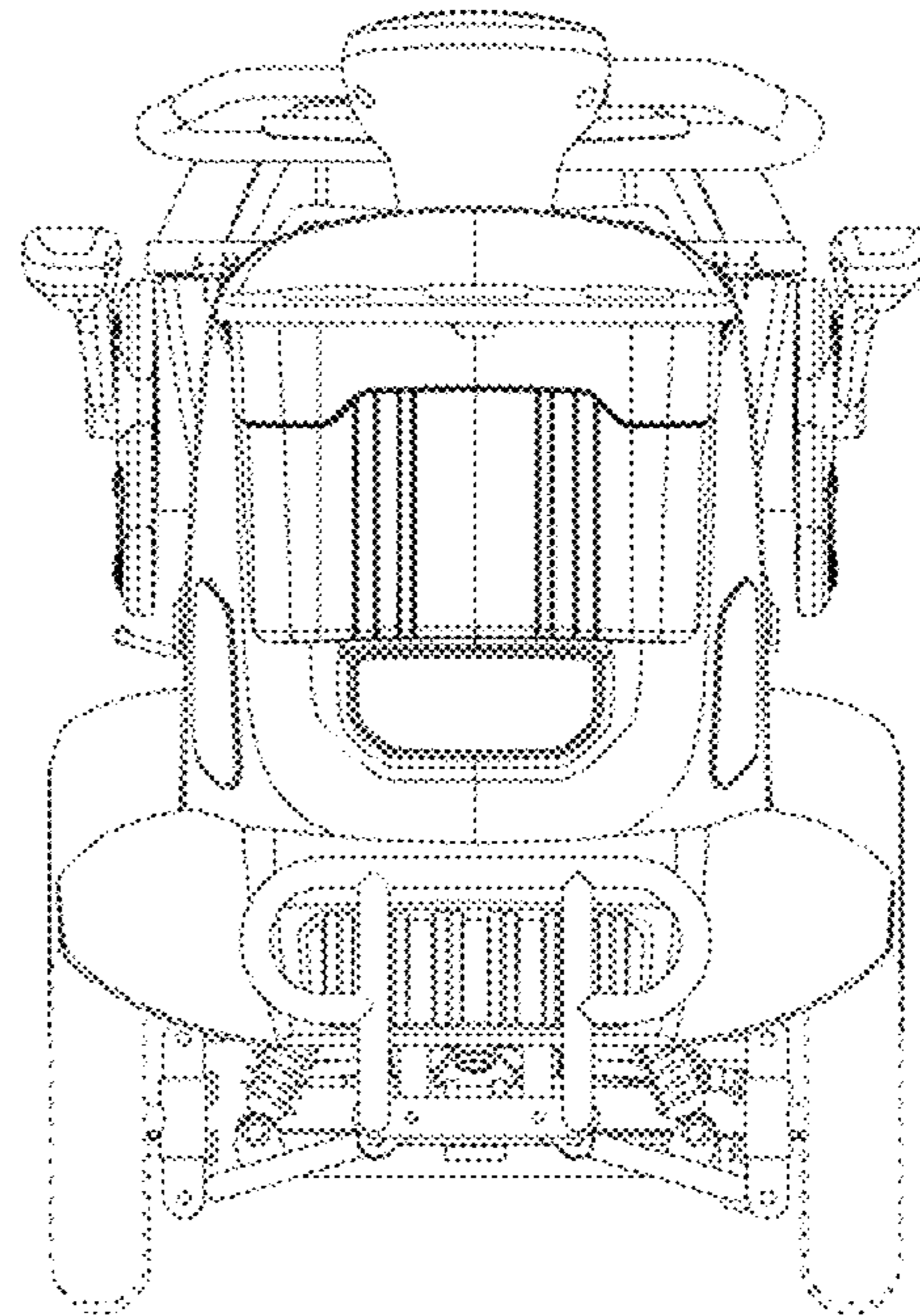
1.3



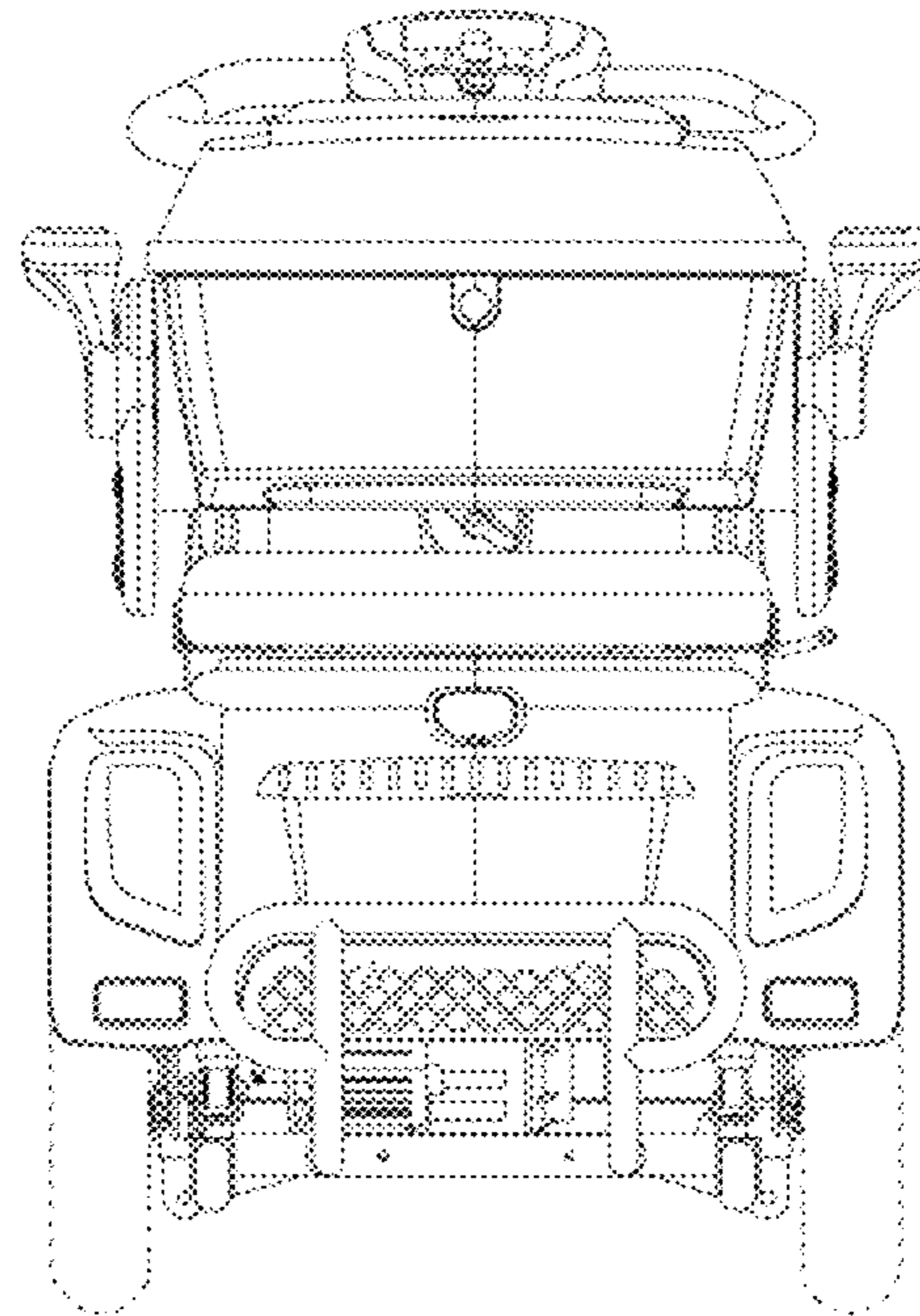
1.4



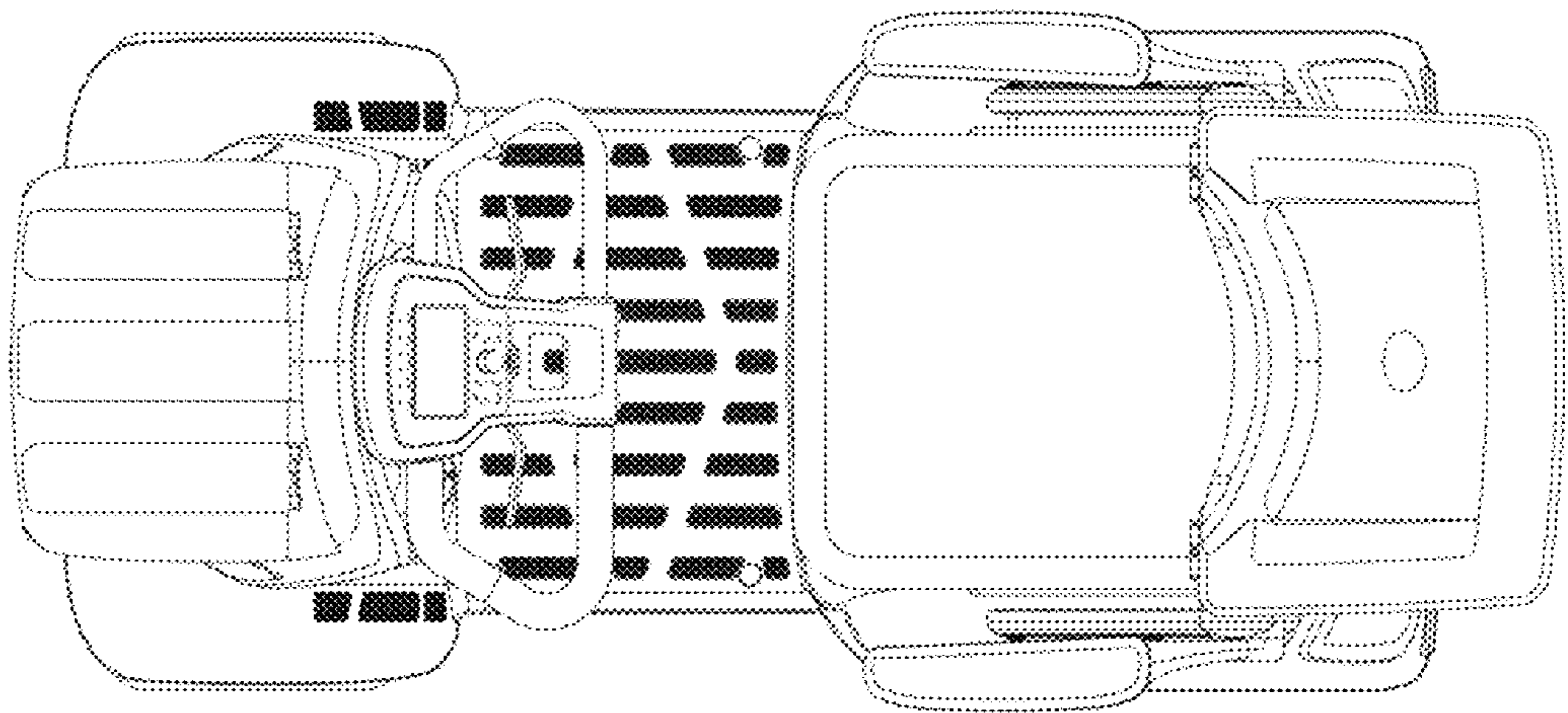
1.5



1.6



1.7



1.8

