



US00D978027S

(12) **United States Design Patent**
Nguyen

(10) **Patent No.:** **US D978,027 S**
(45) **Date of Patent:** **** Feb. 14, 2023**

- (54) **BICYCLE FRAME ELEMENT**
- (71) Applicant: **Robert Bosch GmbH**, Stuttgart (DE)
- (72) Inventor: **Quoc-Dat Nguyen**, Reutlingen (DE)
- (73) Assignee: **Robert Bosch GmbH**, Stuttgart (DE)
- (**) Term: **15 Years**
- (21) Appl. No.: **29/777,816**
- (22) Filed: **Apr. 8, 2021**
- (30) **Foreign Application Priority Data**

Oct. 8, 2020 (EM) 008198402-0003

(51) **LOC (14) Cl.** **12-11**

(52) **U.S. Cl.**
USPC **D12/114**

(58) **Field of Classification Search**
USPC D12/110, 111, 117-119, 122-127, 159;
D21/419, 424, 427, 432, 663, 664, 666,
D21/667
CPC B62K 19/16; B62K 19/08; B62K 15/006;
B62K 21/02; B62K 21/04; B62K 11/10;
B62K 3/02; B62K 3/005; B62K 3/00
See application file for complete search history.

(56) **References Cited**

U.S. PATENT DOCUMENTS

D801,878 S * 11/2017 Greiner D12/123
D906,186 S * 12/2020 Braun B62K 19/20
D12/117
2018/0346054 A1* 12/2018 Choi B62K 19/20

FOREIGN PATENT DOCUMENTS

TW 110301751 * 12/2021

OTHER PUBLICATIONS

alibaba.com, Aluminum alloy adaptor fp G510 welding on frame to fit and holder bafang ultra M620, published Oct. 5, 2021 [retrieved

Sep. 22, 2022]. Retrieved from the internet<<https://www.alibaba.com/product-detail/aluminum-alloy-adaptor-fp-g510-welding>> (Year: 2021).*

(Continued)

Primary Examiner — Joseph Kukella
Assistant Examiner — Lavon M. Amerson
(74) *Attorney, Agent, or Firm* — Maginot, Moore & Beck LLP

(57) **CLAIM**

The ornamental design for a bicycle frame element, as shown and described.

DESCRIPTION

Cross reference is made to copending U.S. design patent application Ser. No. 29/777,813 entitled “Bicycle Frame Element” by Nguyen, Quoc-Dat, which was filed on even date herewith; and U.S. design patent application Ser. No. 29/777,820 entitled “Bicycle Frame Element” by Nguyen, Quoc-Dat, which was filed on even date herewith.

FIG. 1 is a perspective view of a bicycle frame element showing my new design;

FIG. 2 is a left side elevational view of the bicycle frame element of FIG. 1;

FIG. 3 is a right side elevational view of the bicycle frame element of FIG. 1;

FIG. 4 is a top side plan view of the bicycle frame element of FIG. 1;

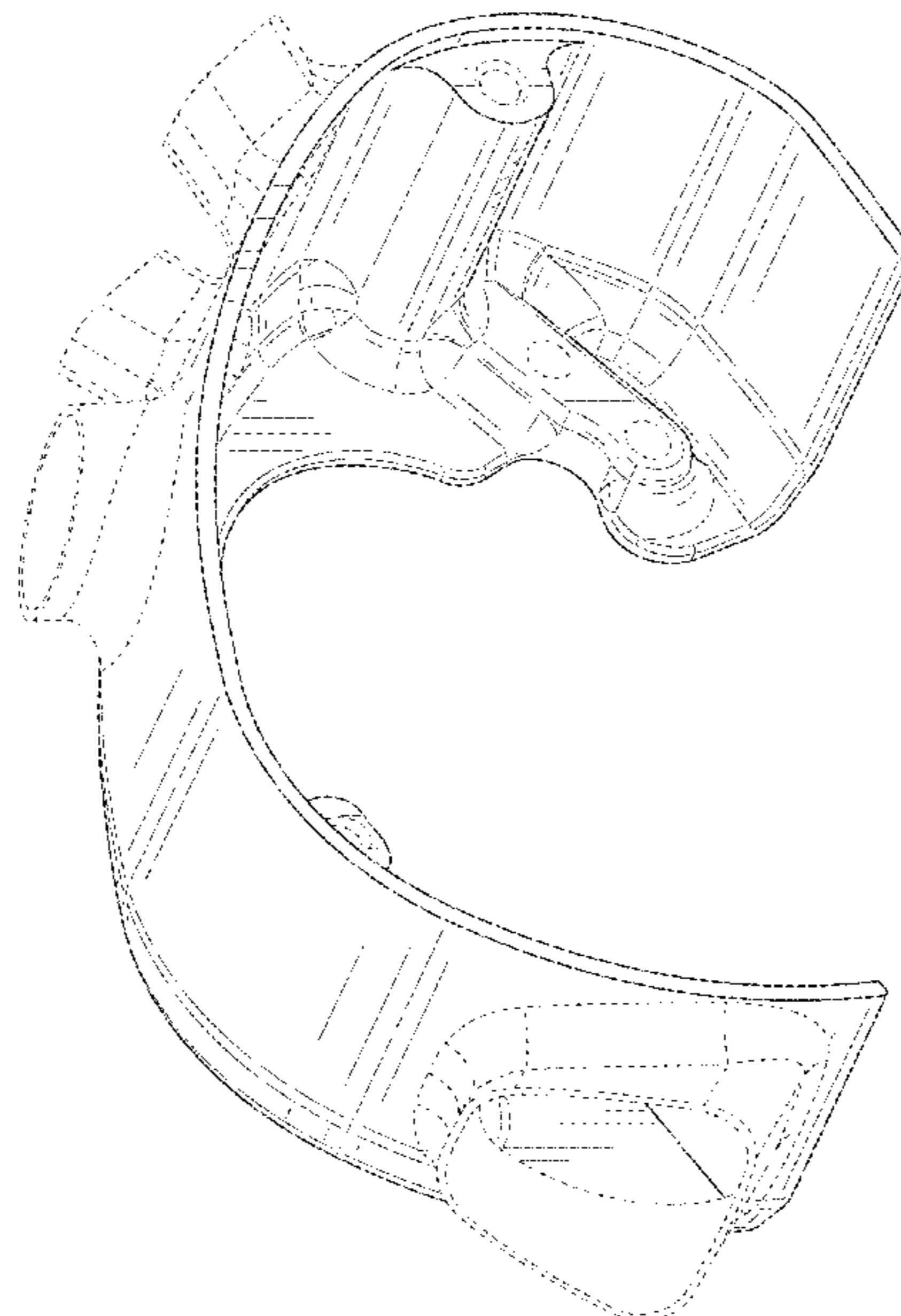
FIG. 5 is a bottom side plan view of the bicycle frame element of FIG. 1;

FIG. 6 is a rear side elevational view of the bicycle frame element of FIG. 1; and,

FIG. 7 is a front side elevational view of the bicycle frame element of FIG. 1.

The broken lines shown in the drawings illustrate portions of the bicycle frame element that form no part of the claimed design.

1 Claim, 7 Drawing Sheets



(56)

References Cited

OTHER PUBLICATIONS

alibaba.com, Titanium E-Bike frame accommodate for Bafang G510 motor, published Mar. 1, 2018 [retrieved on Sep. 22, 2022]. Retrieved from the internet<https://www.alibaba.com/product-detail/Titanium-E-bike-frame-accommodate-for_1600092767302.html?spm=a2700.pccps_detail.0.0.49446df7efFZwh> (Year: 2018).*

* cited by examiner

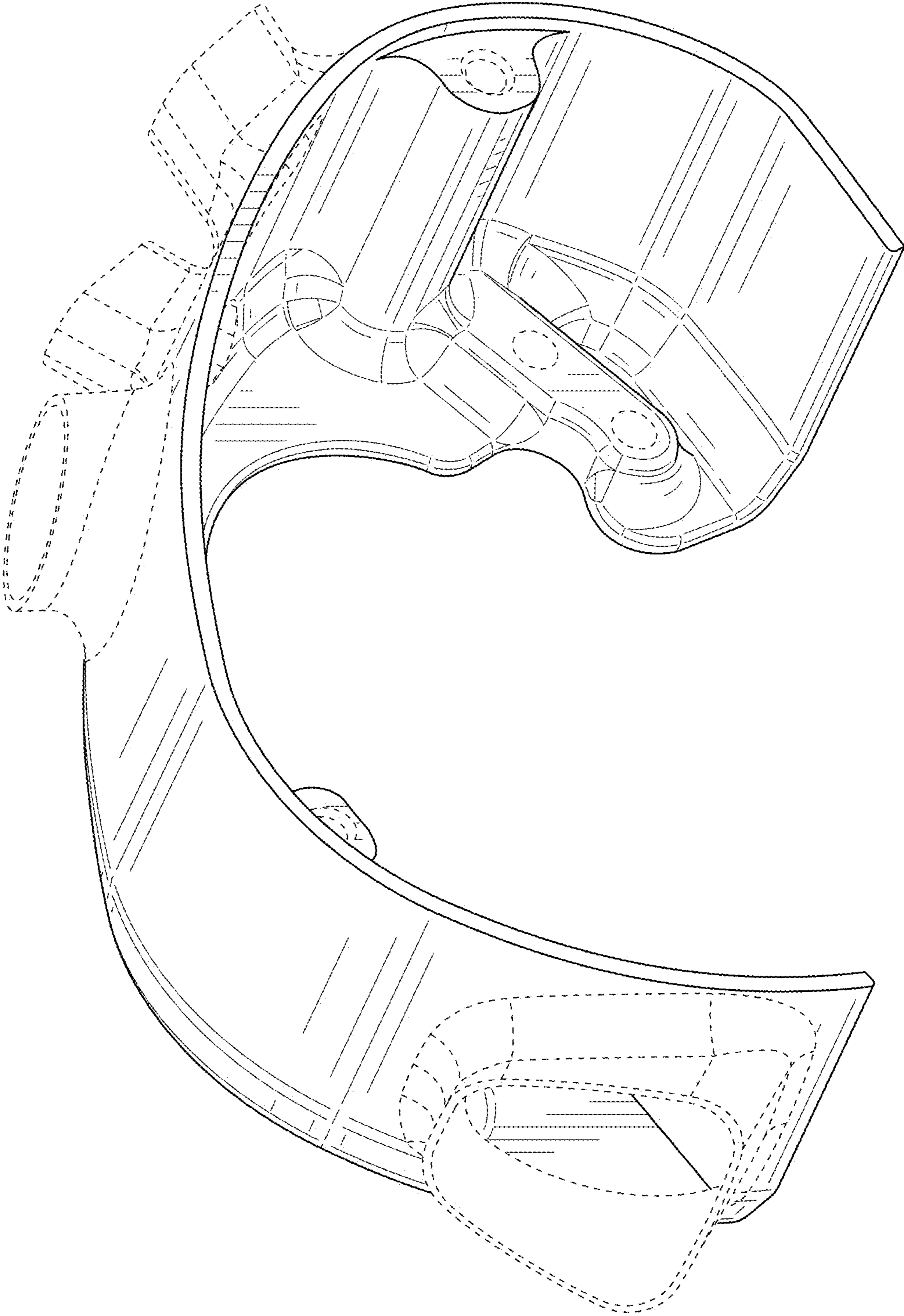


FIG. 1

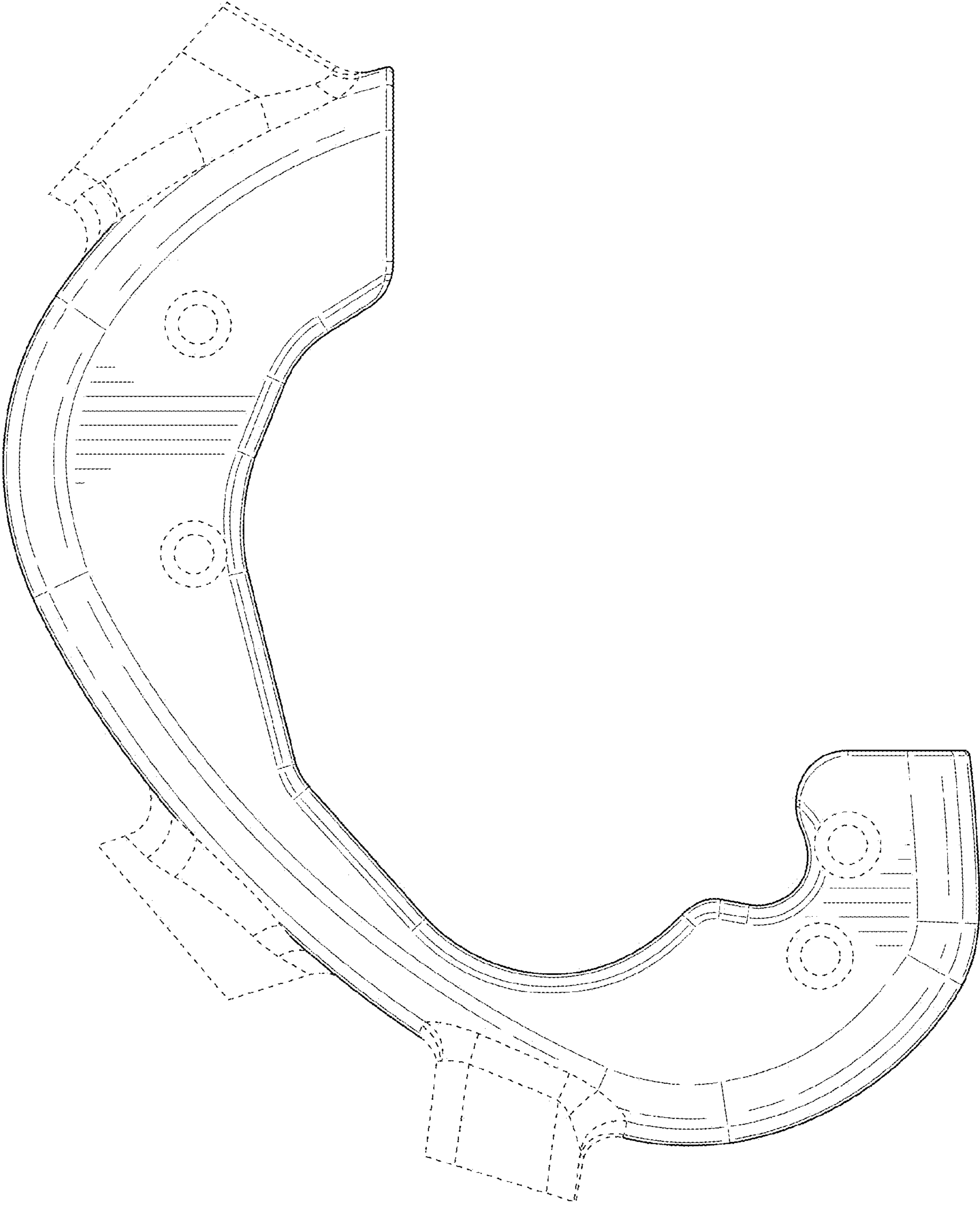


FIG. 2

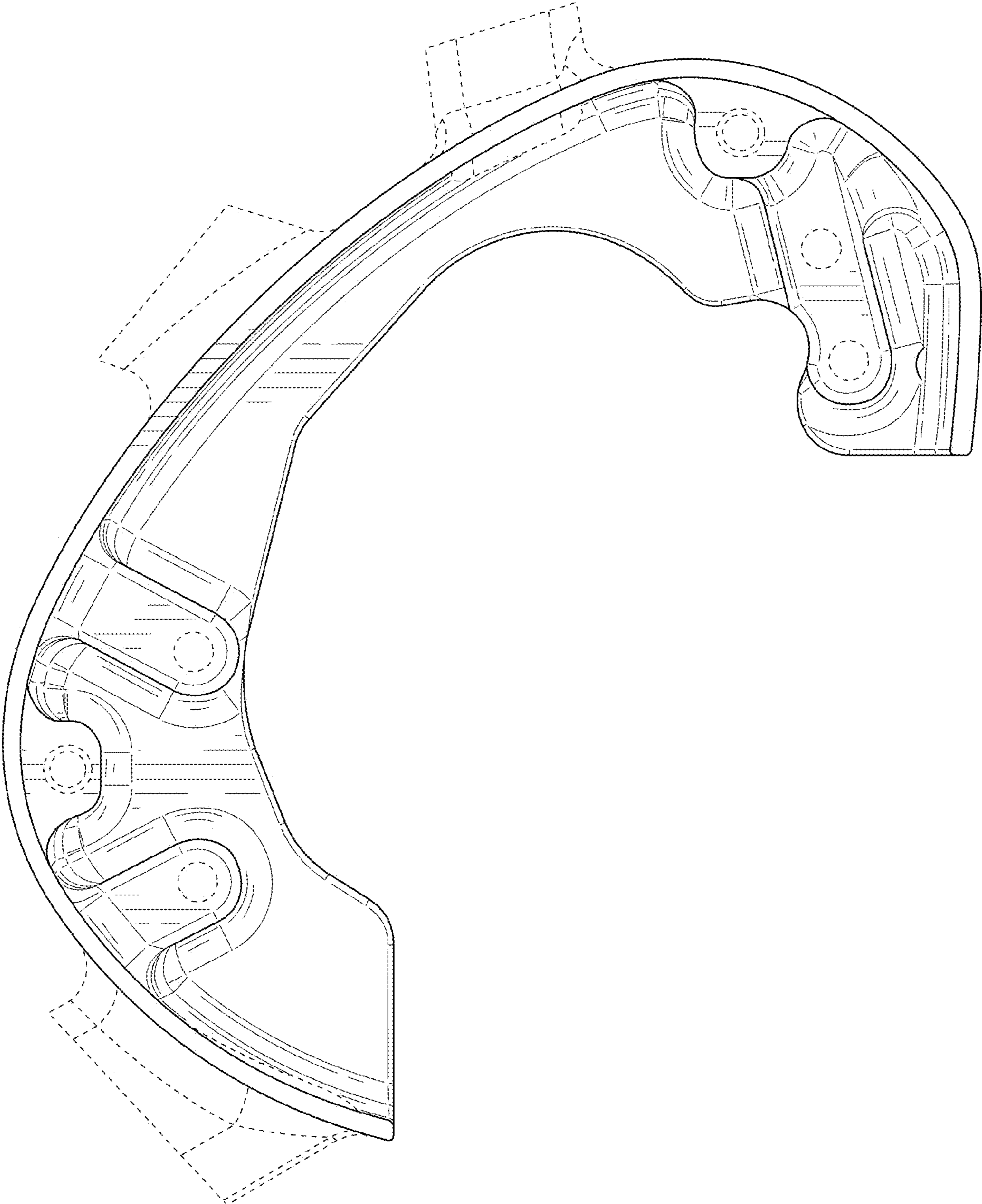


FIG. 3

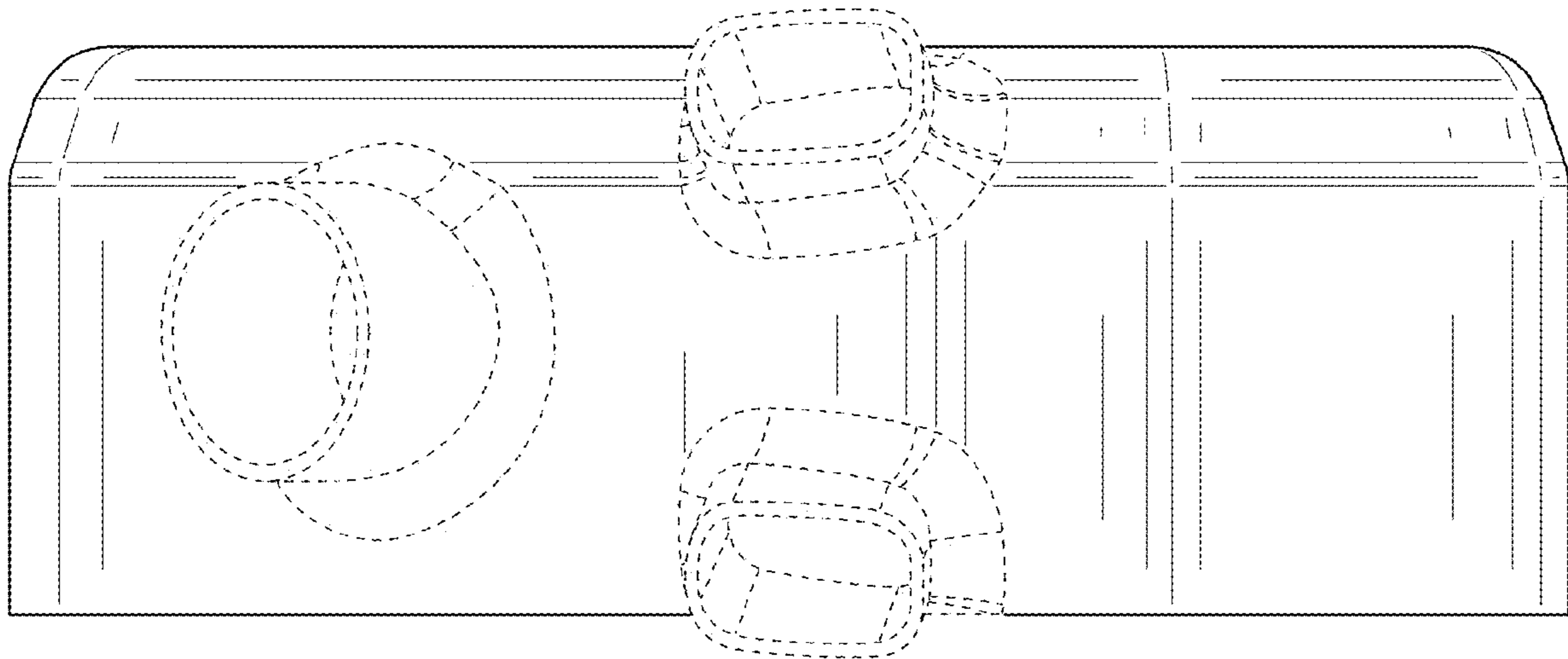


FIG. 4

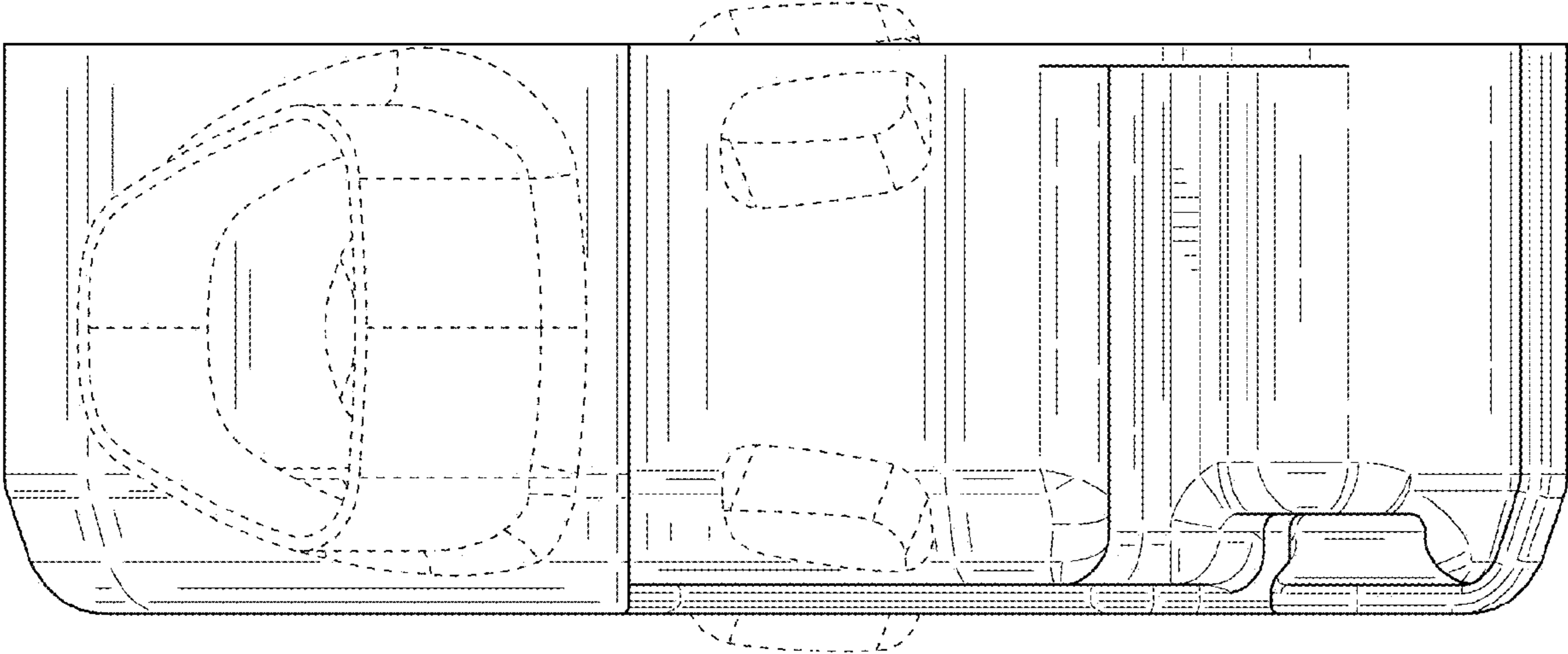


FIG. 5

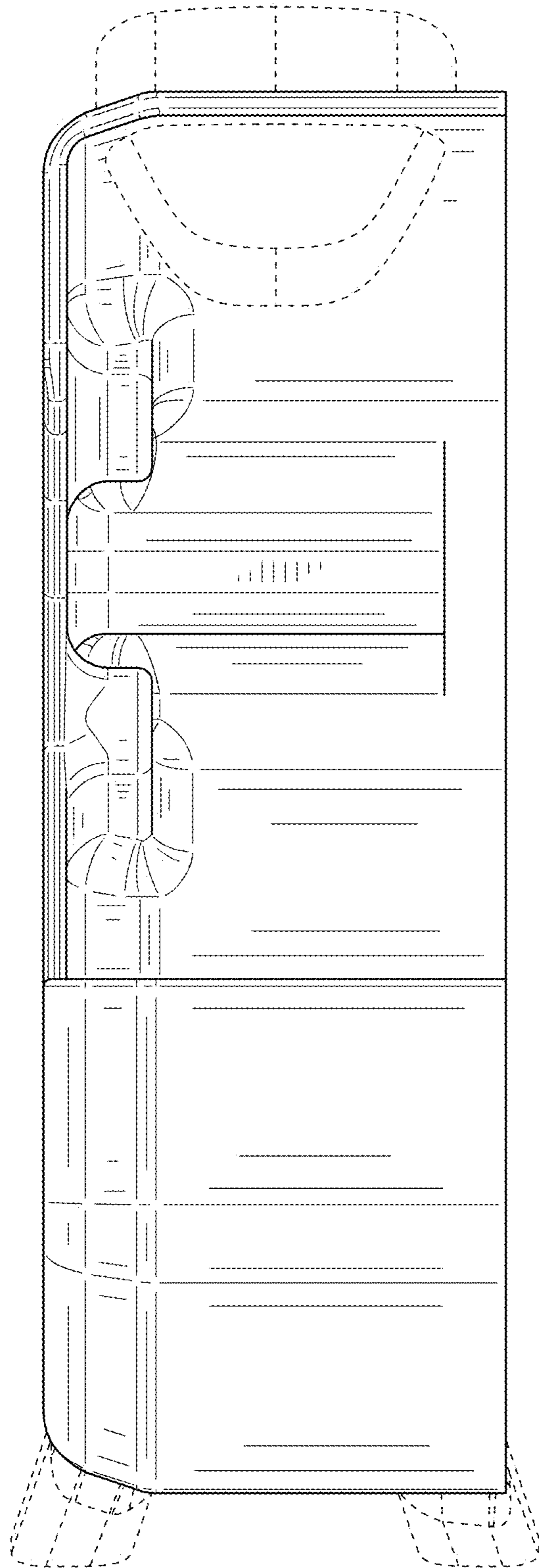


FIG. 6

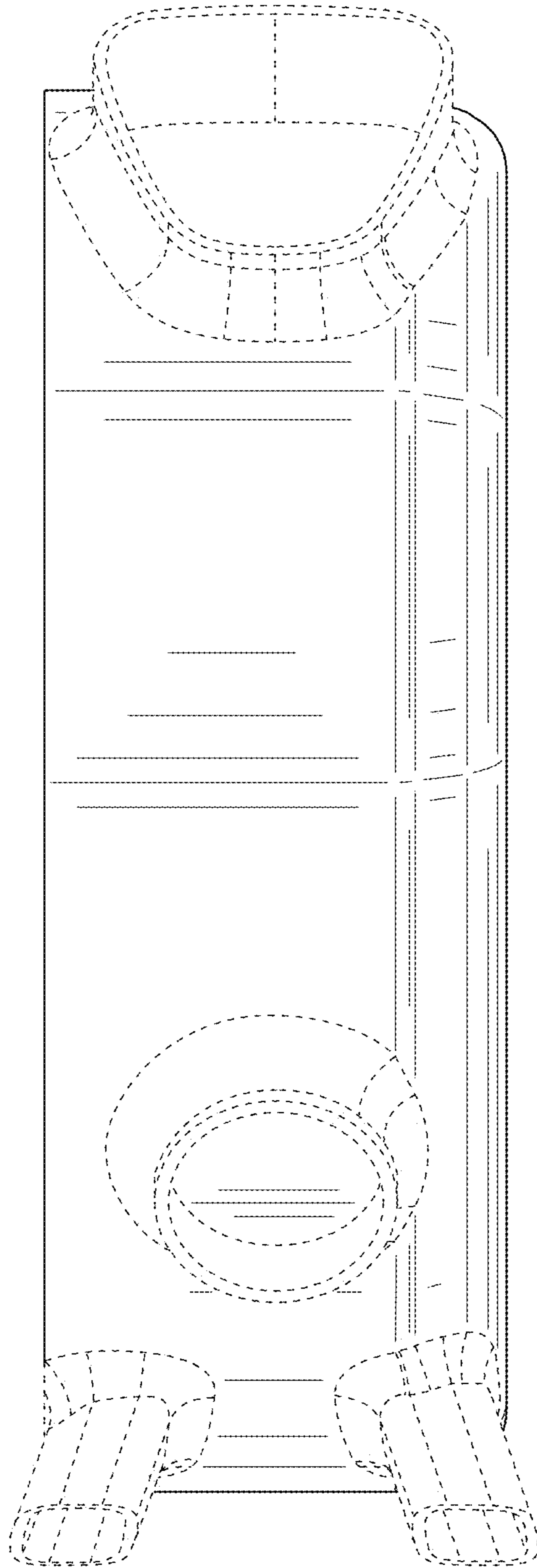


FIG. 7