



US00D978026S

(12) **United States Design Patent**
Tian et al.

(10) **Patent No.:** **US D978,026 S**

(45) **Date of Patent:** **** Feb. 14, 2023**

(54) **ELECTRIC BIKE**

(71) Applicant: **Tianjin Jidian Road Technology Co., Ltd.**, Tianjin (CN)

(72) Inventors: **Kuan Tian**, Tianjin (CN); **Changpeng Li**, Tianjin (CN); **Qing Liu**, Tianjin (CN); **Ning Dong**, Tianjin (CN)

(73) Assignee: **Tianjin Jidian Road Technology Co., Ltd.**, Tianjin (CN)

(**) Term: **15 Years**

(21) Appl. No.: **29/795,178**

(22) Filed: **Jun. 17, 2021**

(30) **Foreign Application Priority Data**

Dec. 18, 2020 (CN) 202030785531.2

(51) **LOC (14) Cl.** **12-11**

(52) **U.S. Cl.**
USPC **D12/111**

(58) **Field of Classification Search**
USPC D12/111, 117; D21/412, 414, 419,
D21/423-428, 431-435
CPC B62K 3/00; B62K 3/02; B62K 3/06
See application file for complete search history.

(56) **References Cited**

U.S. PATENT DOCUMENTS

| | | | | |
|--------------|---------|---------|-------|---------|
| D662,445 S * | 6/2012 | Uimonen | | D12/111 |
| D730,778 S * | 6/2015 | Harness | | D12/111 |
| D795,747 S * | 8/2017 | Bailie | | D12/111 |
| D803,728 S * | 11/2017 | Kamler | | D21/432 |
| D807,232 S * | 1/2018 | Bailie | | D21/432 |
| D807,233 S * | 1/2018 | Zhang | | D12/111 |
| D890,633 S * | 7/2020 | Zhou | | D12/111 |
| D909,920 S * | 2/2021 | Zhu | | D12/111 |
| D910,497 S * | 2/2021 | Sun | | D12/111 |
| D914,548 S * | 3/2021 | Chen | | D12/111 |

| | | | | |
|--------------|---------|----------|-------|---------|
| D914,549 S * | 3/2021 | Chen | | D12/111 |
| D917,349 S * | 4/2021 | Fan | | D12/111 |
| D918,778 S * | 5/2021 | Shi | | D12/111 |
| D920,169 S * | 5/2021 | Li | | D12/111 |
| D924,102 S * | 7/2021 | Avery | | D12/111 |
| D929,269 S * | 8/2021 | Chen | | D12/111 |
| D933,538 S * | 10/2021 | Chen | | D12/111 |
| D934,120 S * | 10/2021 | Zhu | | D12/111 |
| D948,384 S * | 4/2022 | Cai | | D12/111 |
| D951,144 S * | 5/2022 | Tomohiko | | D12/111 |
| D952,521 S * | 5/2022 | Wang | | D12/111 |
| D953,936 S * | 6/2022 | Zhu | | D12/111 |
| D956,631 S * | 7/2022 | Okonsky | | D12/111 |

(Continued)

OTHER PUBLICATIONS

Laurens van Rooijen. "d & i Awards announced by Taipei Cycle." Show Daily., Feb. 24, 2021 [online], [retrieved on Oct. 20, 2022]. Retrieved from the Internet <URL: <https://www.showdaily.net/2021/02/d-i-awards-announced-by-taipei-cycle/>>.*

(Continued)

Primary Examiner — Darlington Ly
(74) *Attorney, Agent, or Firm* — Bayramoglu Law Offices LLC

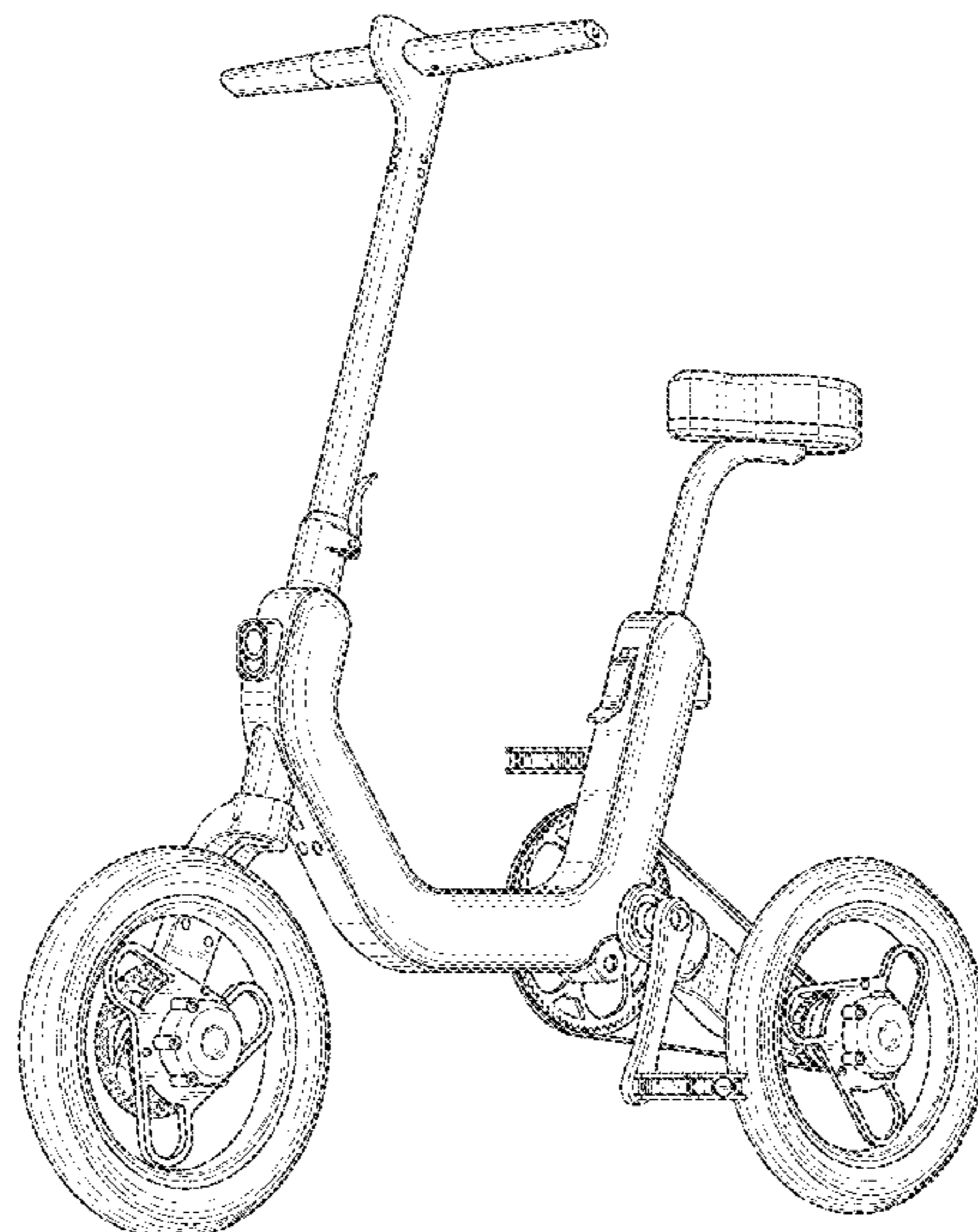
(57) **CLAIM**

The ornamental design for an electric bike, as shown and described.

DESCRIPTION

FIG. 1 is a front and left side perspective view of an electric bicycle embodying our new design; FIG. 2 is a left side elevation view thereof; FIG. 3 is a right side elevation view thereof; FIG. 4 is a front elevation view thereof; FIG. 5 is a rear elevation view thereof; FIG. 6 is a top plan view thereof; and, FIG. 7 is a bottom plan view thereof.

1 Claim, 7 Drawing Sheets



(56)

References Cited

U.S. PATENT DOCUMENTS

| | | | | | | |
|--------------|----|---|---------|--------|-------|------------------------|
| D957,291 | S | * | 7/2022 | Deng | | D12/111 |
| D960,054 | S | * | 8/2022 | Yang | | D12/111 |
| D960,769 | S | * | 8/2022 | Chen | | D12/111 |
| 2010/0314187 | A1 | * | 12/2010 | Chen | | B62M 6/60 180/206.8 |
| 2014/0076650 | A1 | * | 3/2014 | Kim | | B62K 3/10 180/220 |
| 2014/0076652 | A1 | * | 3/2014 | Kim | | B62K 15/006 180/220 |
| 2020/0079471 | A1 | * | 3/2020 | Eguchi | | B62K 19/40 |

OTHER PUBLICATIONS

Zach Overholt. "Taipei Cycle Gold Awards by iF for 2021." Bike Rumor., Feb. 24, 2021 [online], [retrieved on Oct. 20, 2022]. Retrieved from the Internet <URL: <https://bikerumor.com/taipei-cycle-gold-awards-by-if-for-2021-include-products-from-merida-liv-cadex-more/>>.*

Ruaan Nelson. "Folding Electric Bikes: We review the best foldable e-bikes for 2022." Bike Rumor., Jul. 9, 2022 [online], [retrieved on Oct. 20, 2022]. Retrieved from the Internet <URL: <https://electric-biking.com/folding-electric-bike/>>.*

* cited by examiner

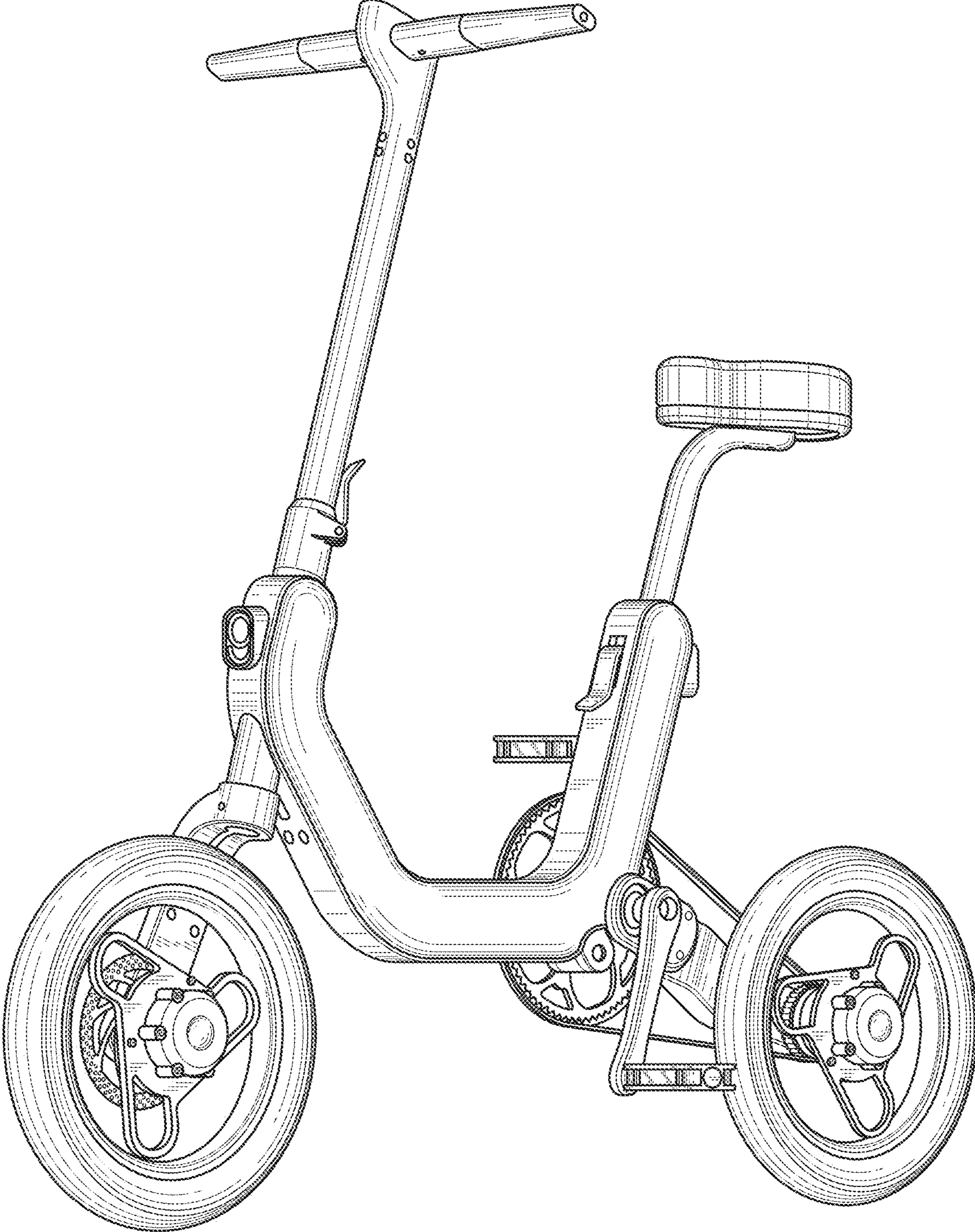


Fig. 1

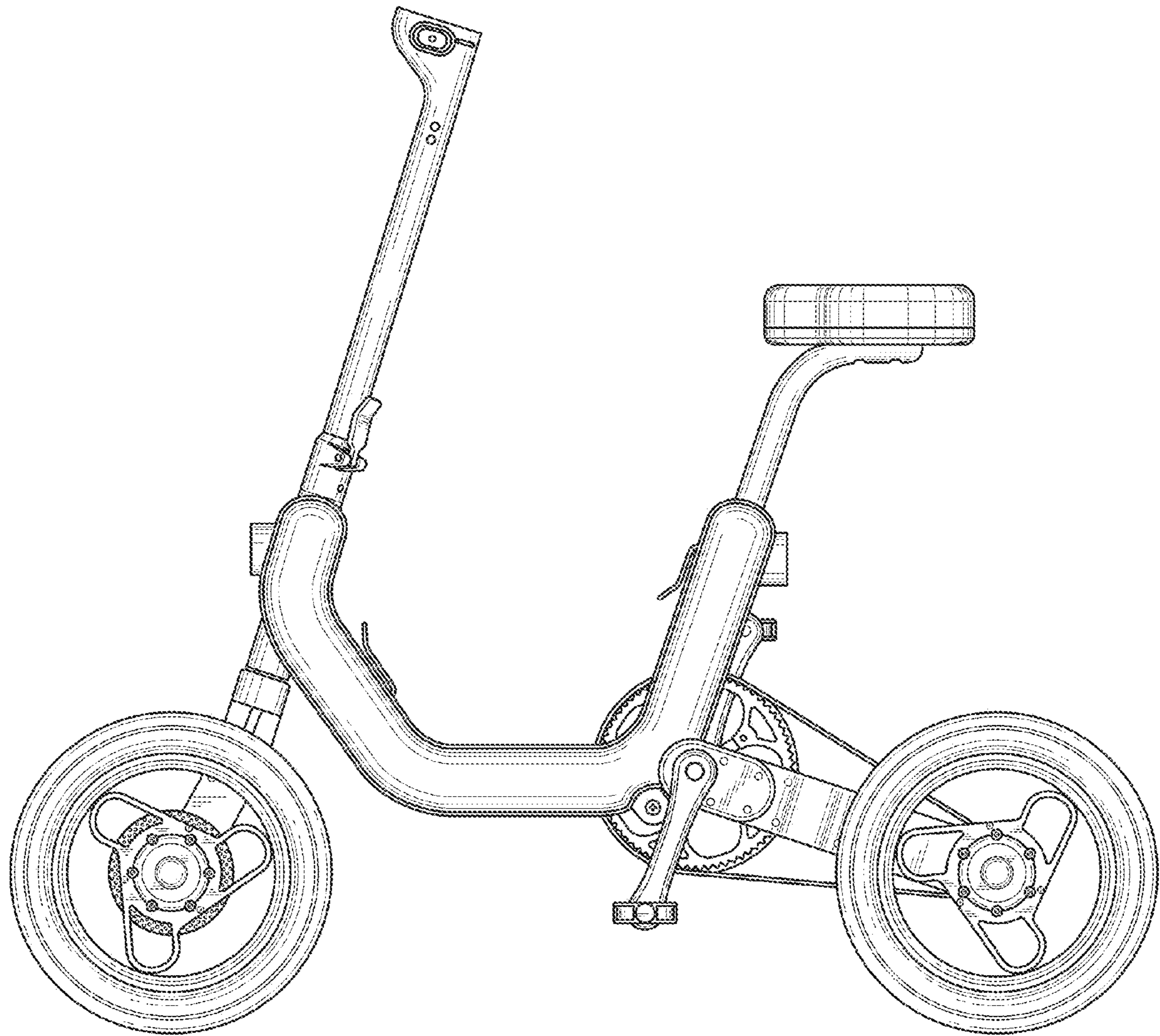


Fig. 2

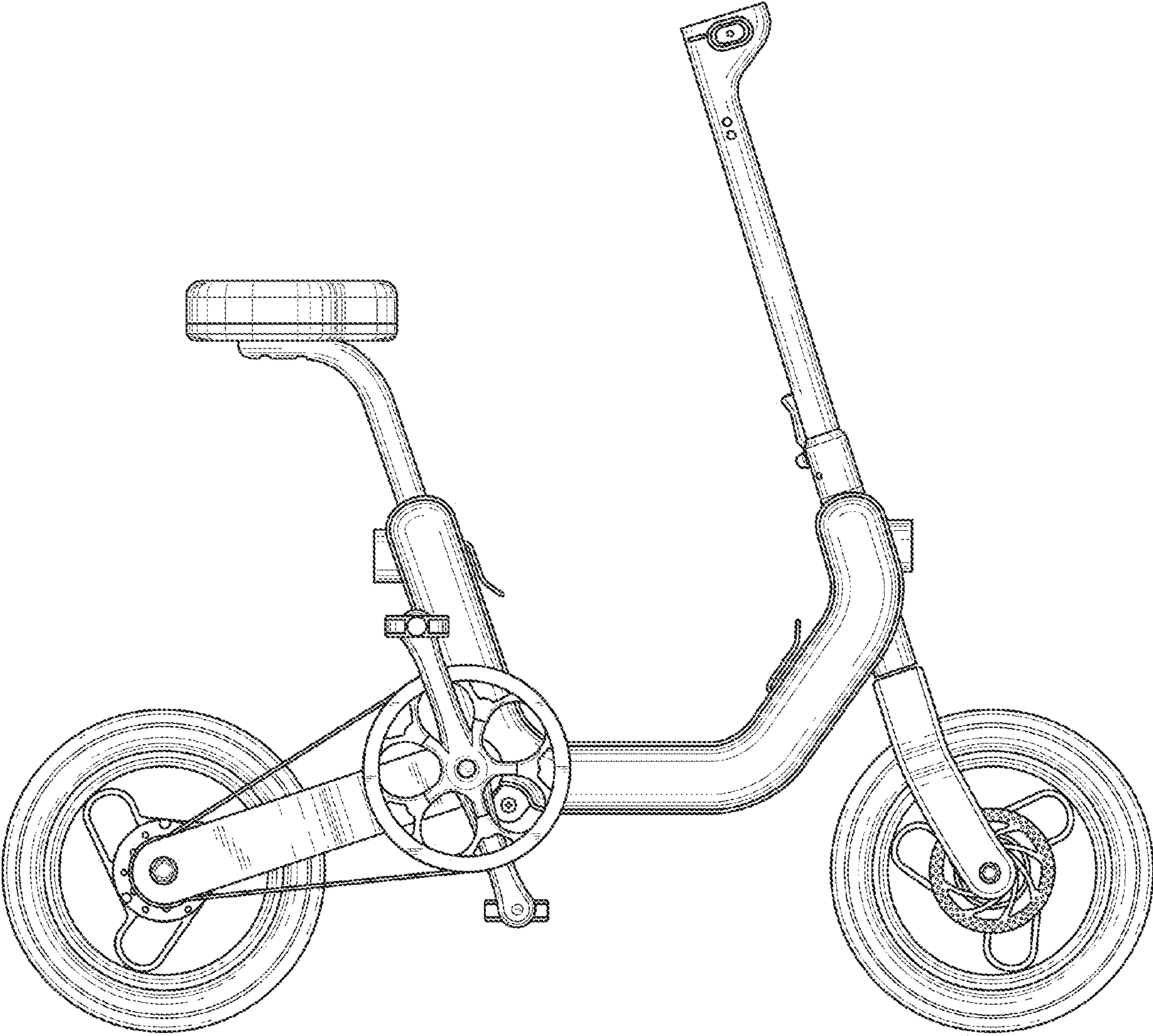


Fig. 3

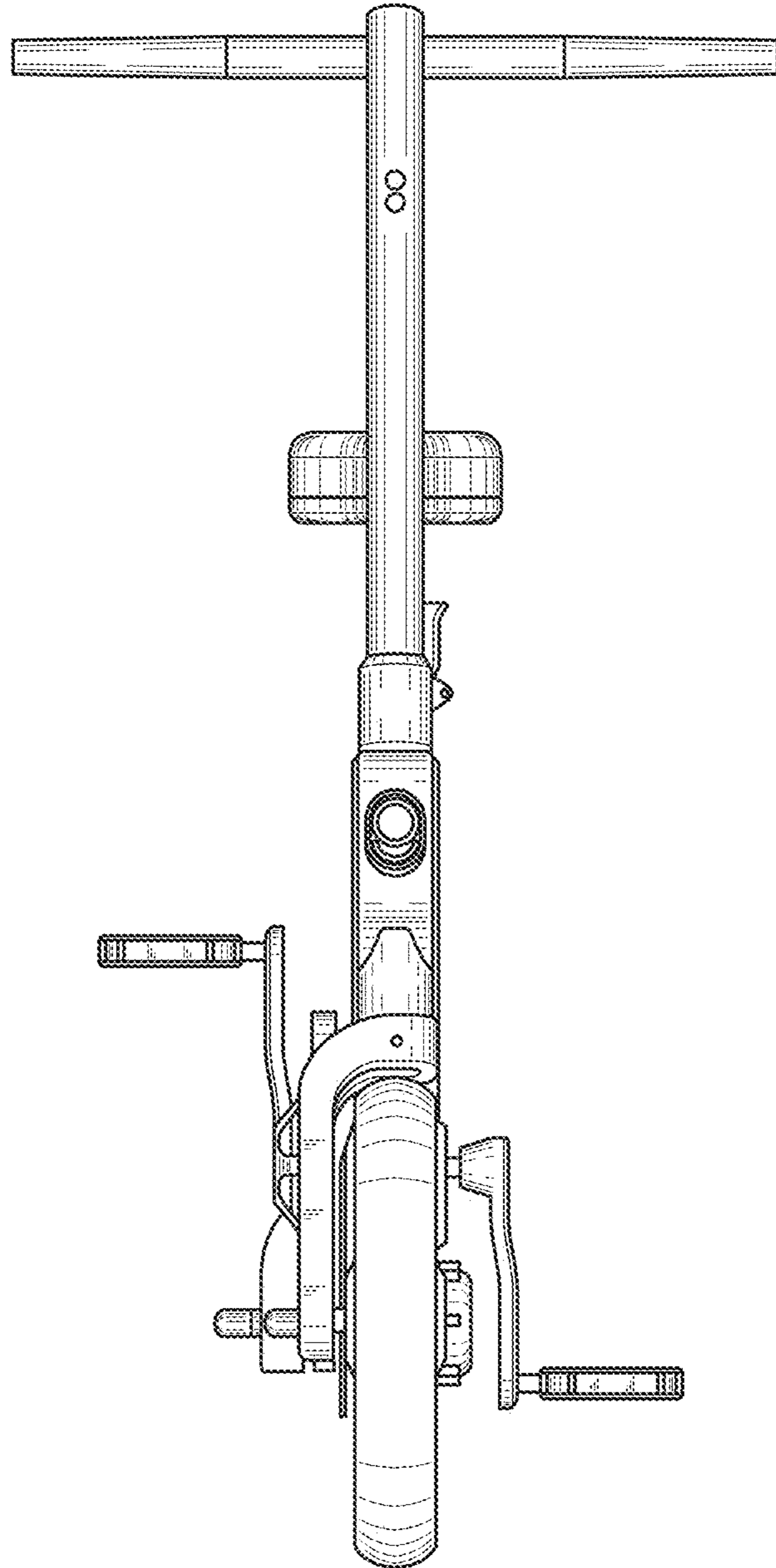


Fig. 4

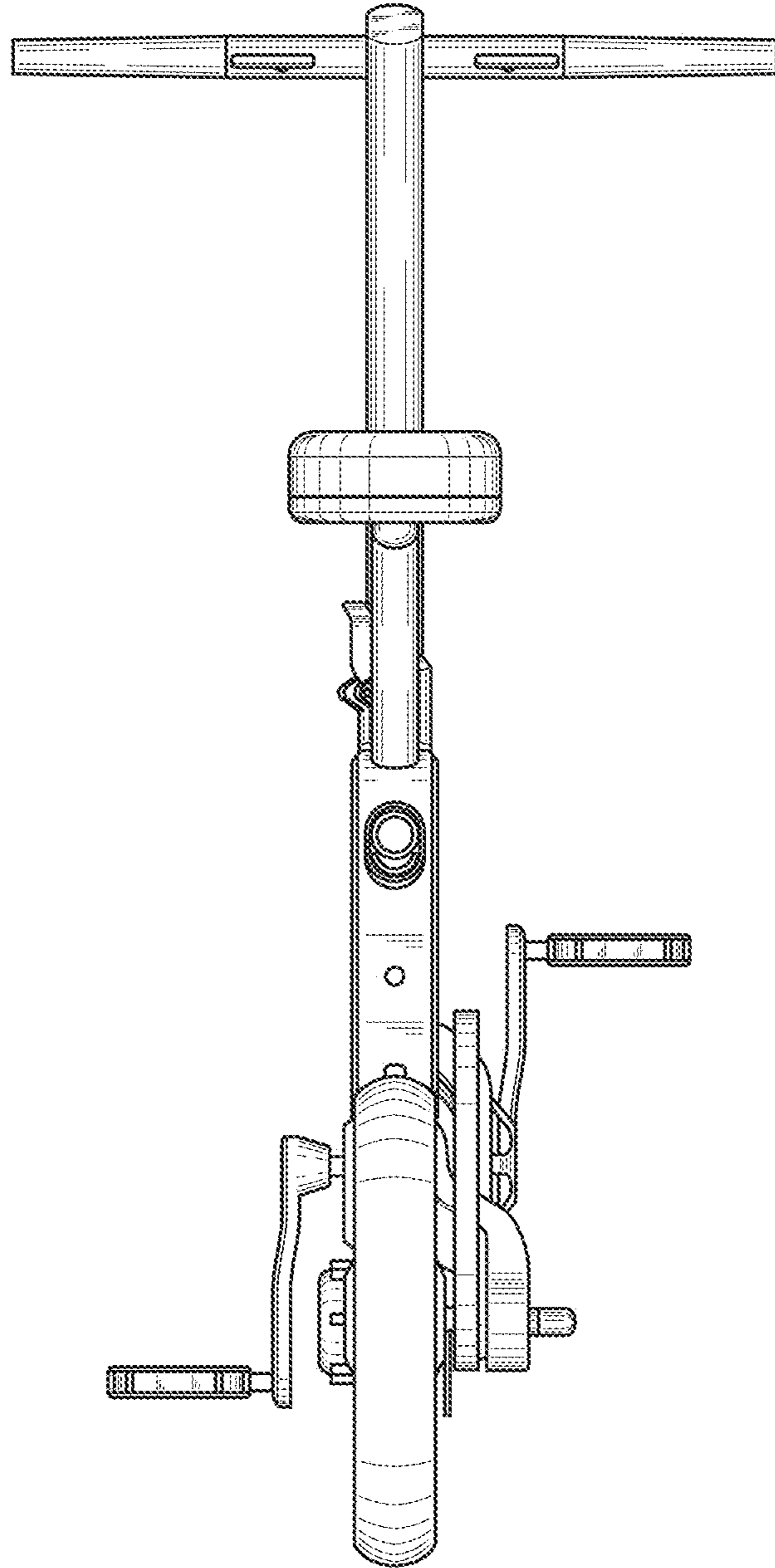


Fig. 5

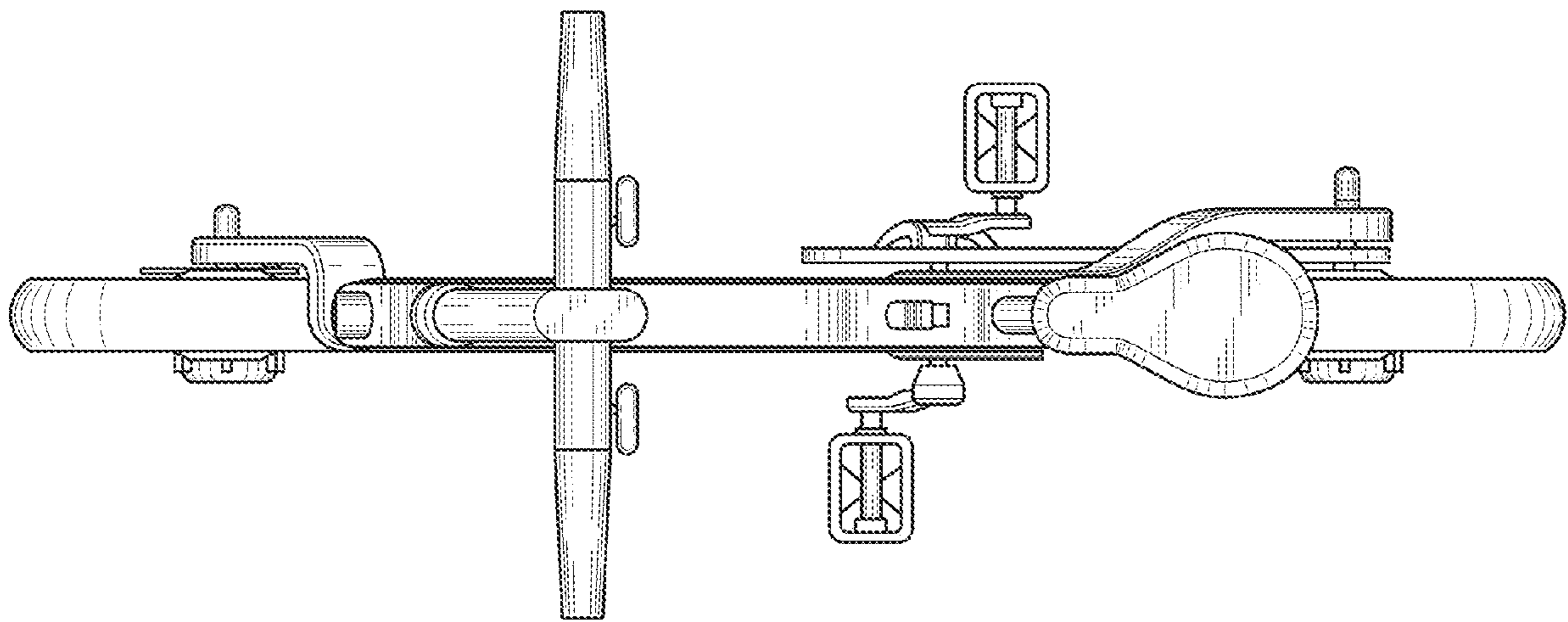


Fig. 6

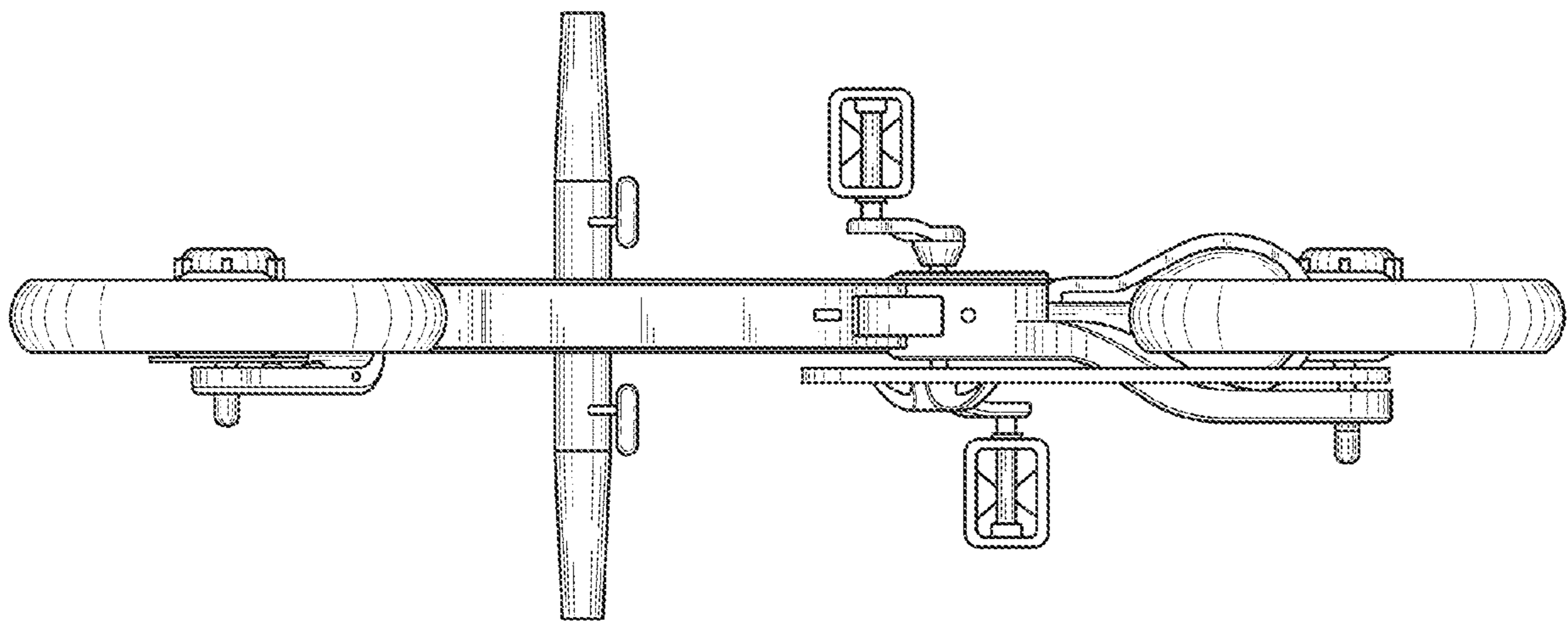


Fig. 7