



US00D978024S

(12) **United States Design Patent**  
**Zhou**

(10) **Patent No.:** **US D978,024 S**

(45) **Date of Patent:** **\*\* Feb. 14, 2023**

(54) **BICYCLE FRAME**

(71) Applicant: **XIAMEN YOELEO SPORTS CO., LTD**, Fujian (CN)

(72) Inventor: **Shijing Zhou**, Fujian (CN)

(73) Assignee: **XIAMEN YOELEO SPORTS CO., LTD**, Xiamen (CN)

(\*\*) Term: **15 Years**

(21) Appl. No.: **29/785,354**

(22) Filed: **May 25, 2021**

(30) **Foreign Application Priority Data**

Dec. 21, 2020 (CN) ..... 202030790030.3

(51) **LOC (14) Cl.** ..... **12-11**

(52) **U.S. Cl.**  
USPC ..... **D12/111**

(58) **Field of Classification Search**  
USPC ..... D12/111, 117; D21/412, 414, 419,  
D21/423-428, 431-435  
CPC ... B62K 3/00; B62K 3/02; B62K 3/06; B62K  
19/18; B62K 25/30; B62K 25/26; B62K  
25/286; B62K 2025/048  
See application file for complete search history.

(56) **References Cited**

**U.S. PATENT DOCUMENTS**

D419,492 S *	1/2000	Egger	.....	D12/111
D517,452 S *	3/2006	Hickman	.....	D12/111
D632,615 S *	2/2011	Uimonen	.....	D12/111
D637,527 S *	5/2011	Choi	.....	D12/111
D667,347 S *	9/2012	Simko	.....	D12/111

D719,488 S *	12/2014	Stafford	.....	D12/111
D719,880 S *	12/2014	Juarez	.....	D12/111
D726,075 S *	4/2015	D'Aluisio	.....	D12/111
D734,218 S *	7/2015	D'Aluisio	.....	D12/111
D766,136 S *	9/2016	Jankura	.....	D12/111
D797,610 S *	9/2017	Jankura	.....	D12/111
D858,359 S *	9/2019	Lentz	.....	D12/111
D865,574 S *	11/2019	Russell	.....	D12/111
D885,986 S *	6/2020	Chan	.....	D12/111
D906,893 S *	1/2021	Lin	.....	D12/111
D908,046 S *	1/2021	Callahan	.....	D12/111
D909,921 S *	2/2021	Stafford	.....	D12/111
D923,519 S *	6/2021	Hafner	.....	D12/111
D939,388 S *	12/2021	Stafford	.....	D12/111
D939,389 S *	12/2021	Stafford	.....	D12/111
2021/0147032 A1 *	5/2021	Farrell	.....	B62K 3/04
2021/0284269 A1 *	9/2021	Hu	.....	B62K 19/16
2022/0306240 A1 *	9/2022	Talavasek	.....	B62M 6/90

\* cited by examiner

*Primary Examiner* — Darlington Ly

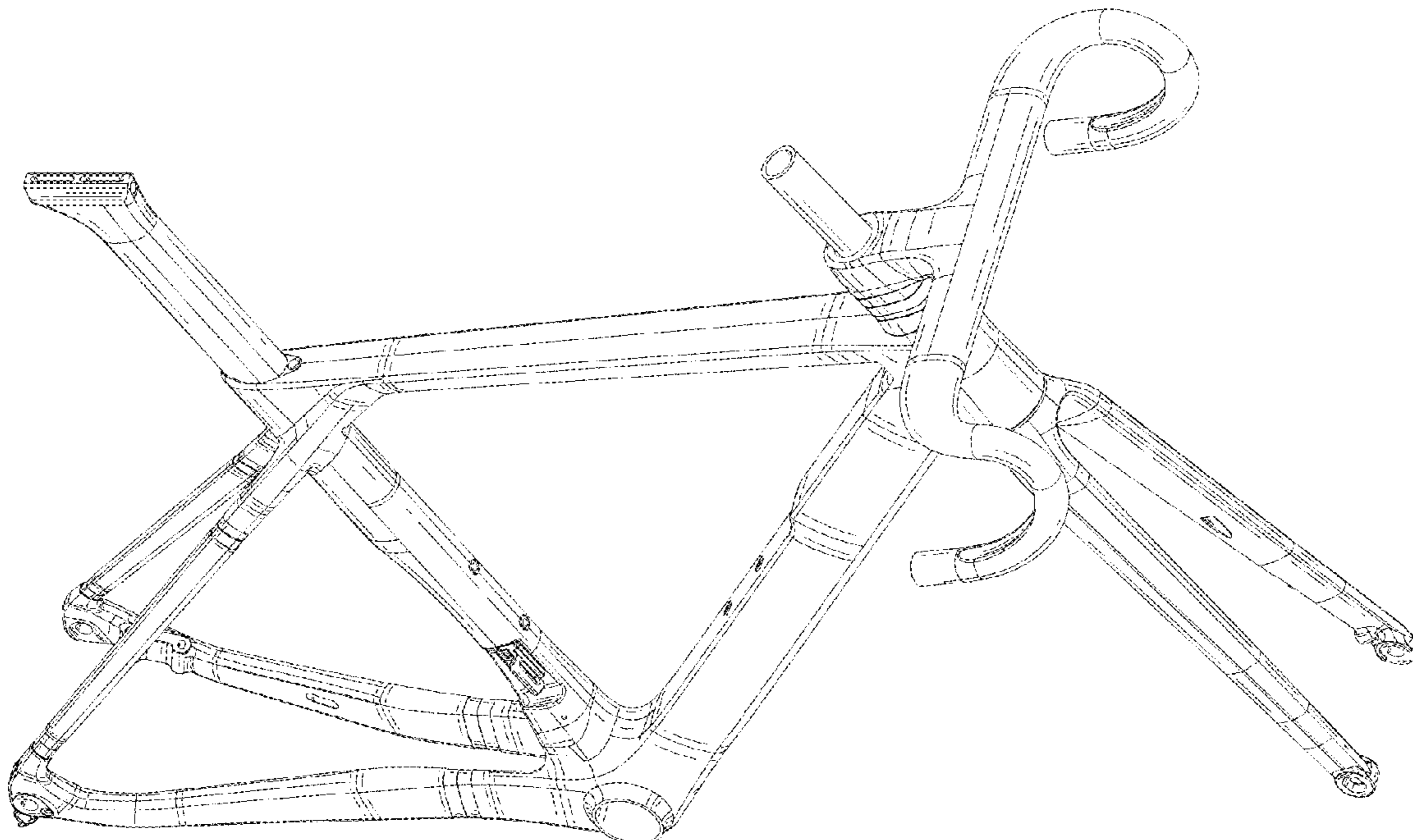
(57) **CLAIM**

The ornamental design for a bicycle frame, as shown and described.

**DESCRIPTION**

FIG. 1 is a top, front, and right side perspective view of a bicycle frame embodying my new design;  
FIG. 2 is a bottom, rear, and left side perspective view thereof;  
FIG. 3 is a right side elevation view thereof;  
FIG. 4 is a left side elevation view thereof;  
FIG. 5 is a rear elevation view thereof;  
FIG. 6 is a front elevation view thereof;  
FIG. 7 is a top plan view thereof; and,  
FIG. 8 is a bottom plan view thereof.

**1 Claim, 8 Drawing Sheets**



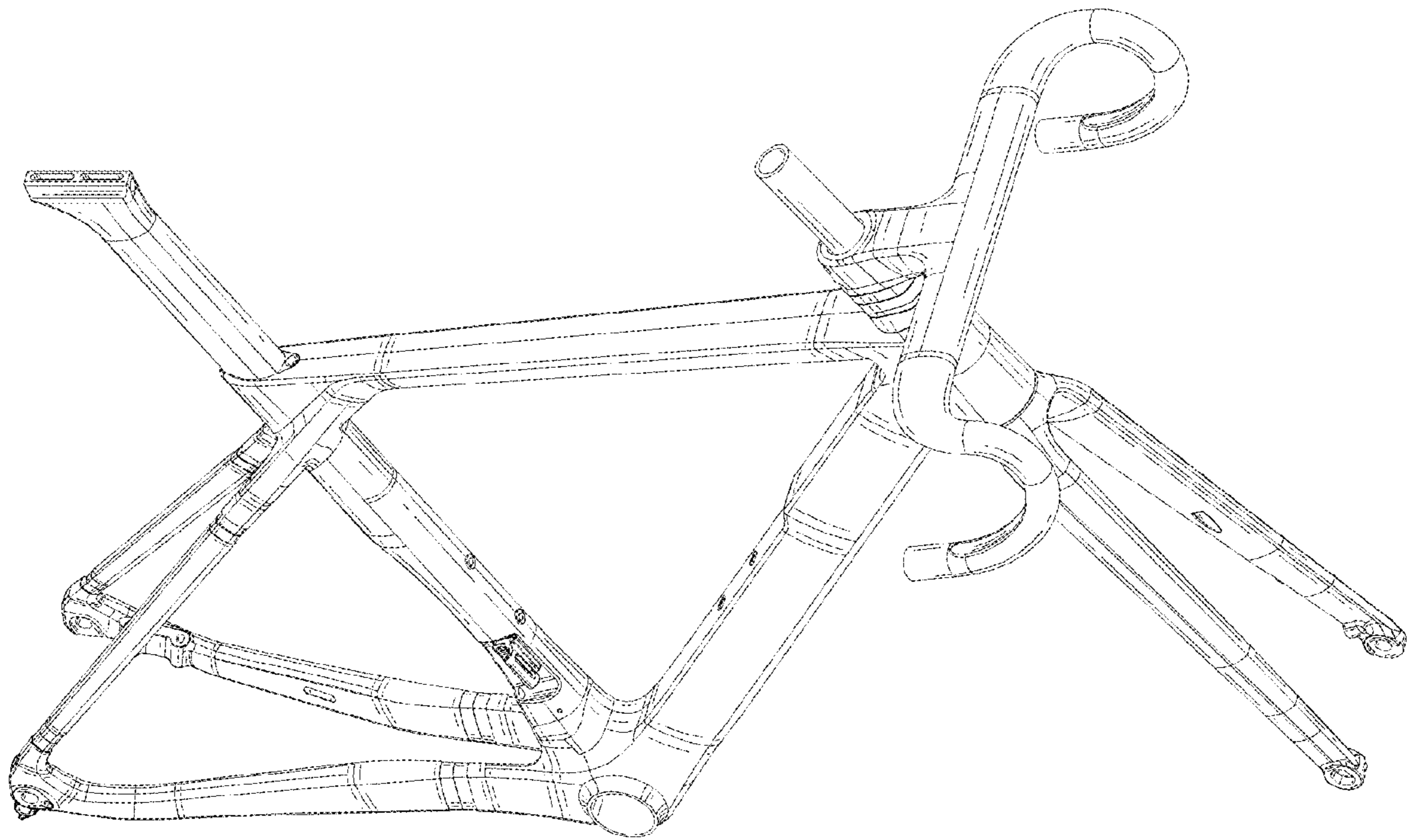


FIG. 1

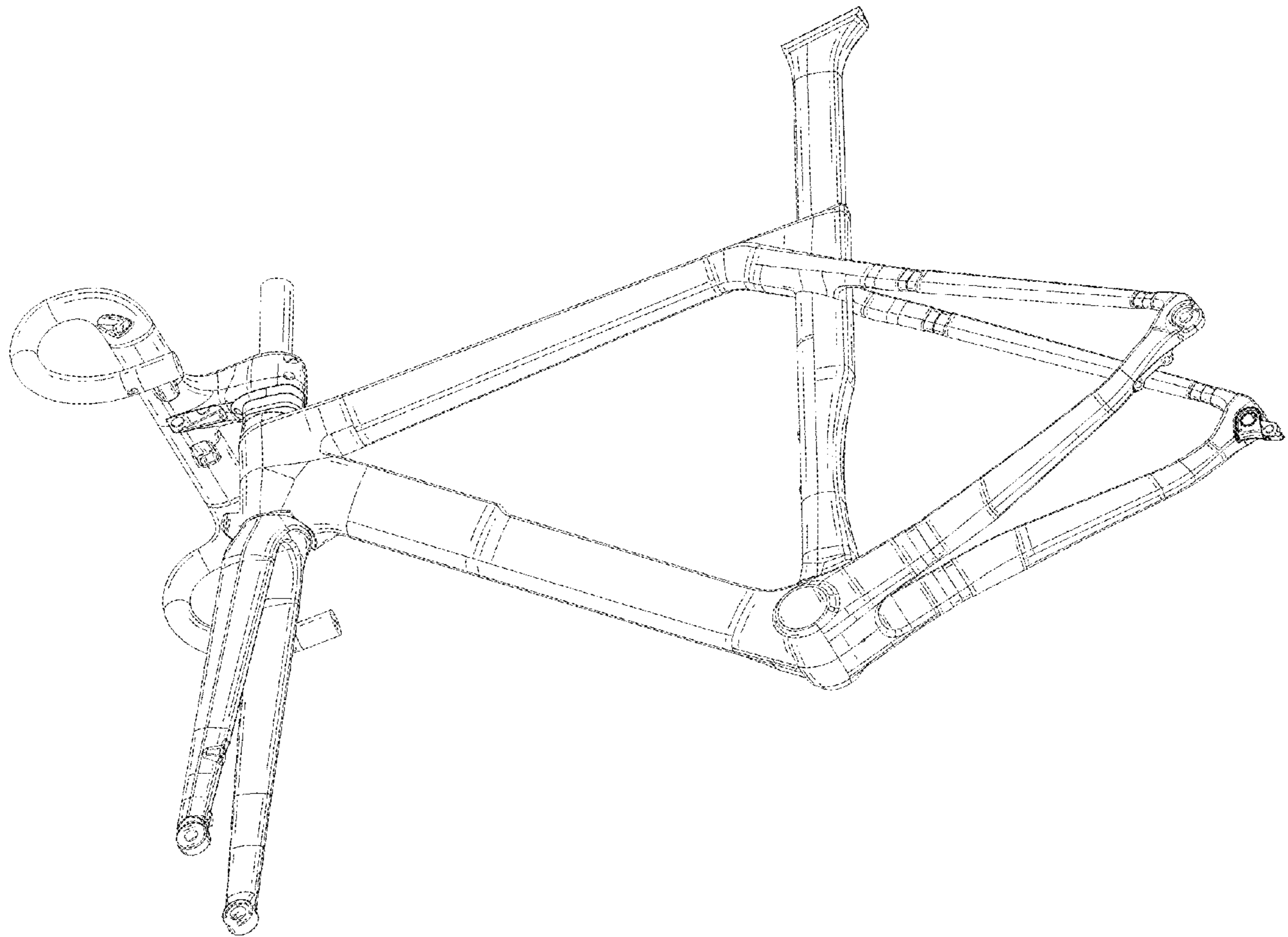


FIG. 2

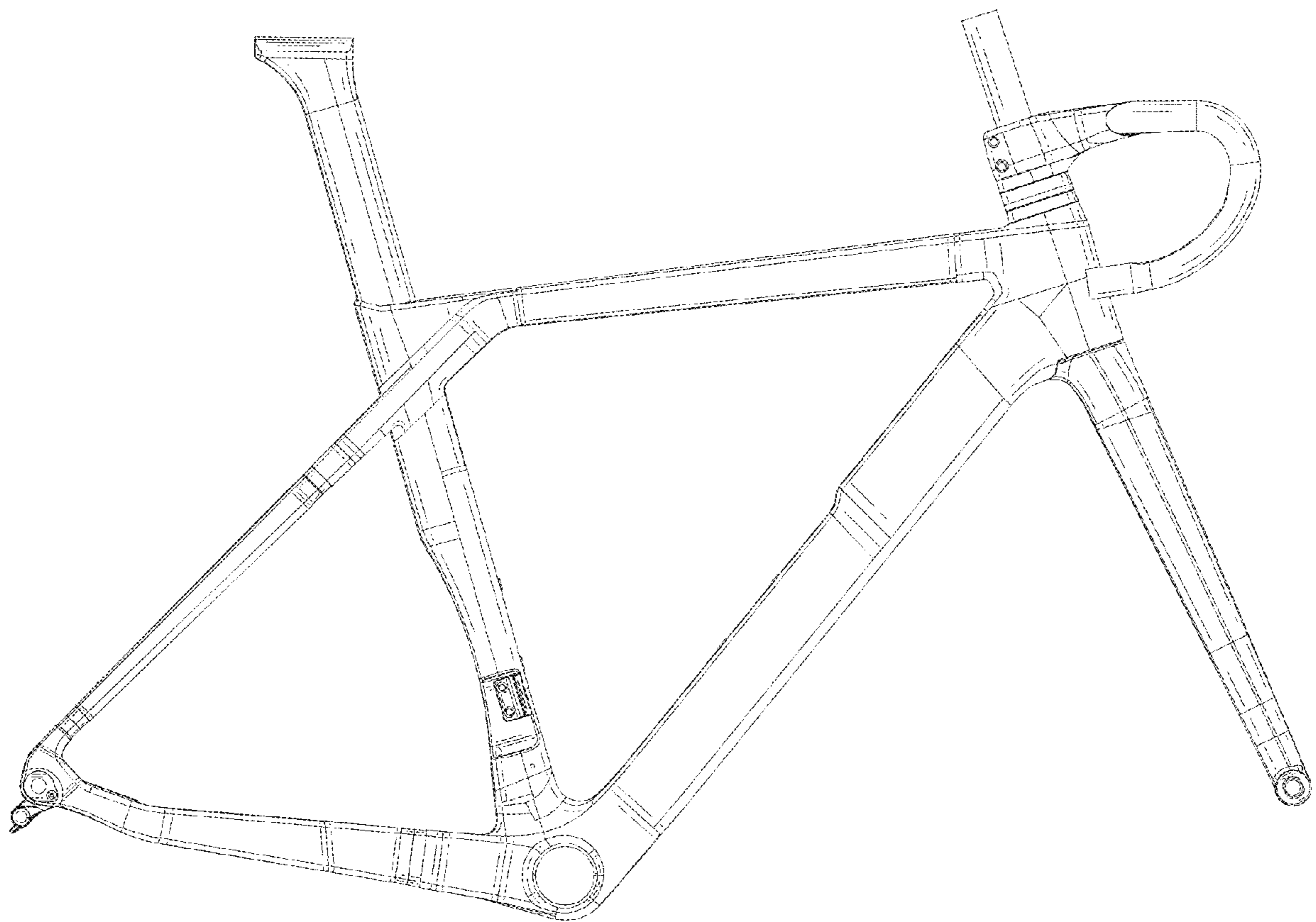


FIG. 3

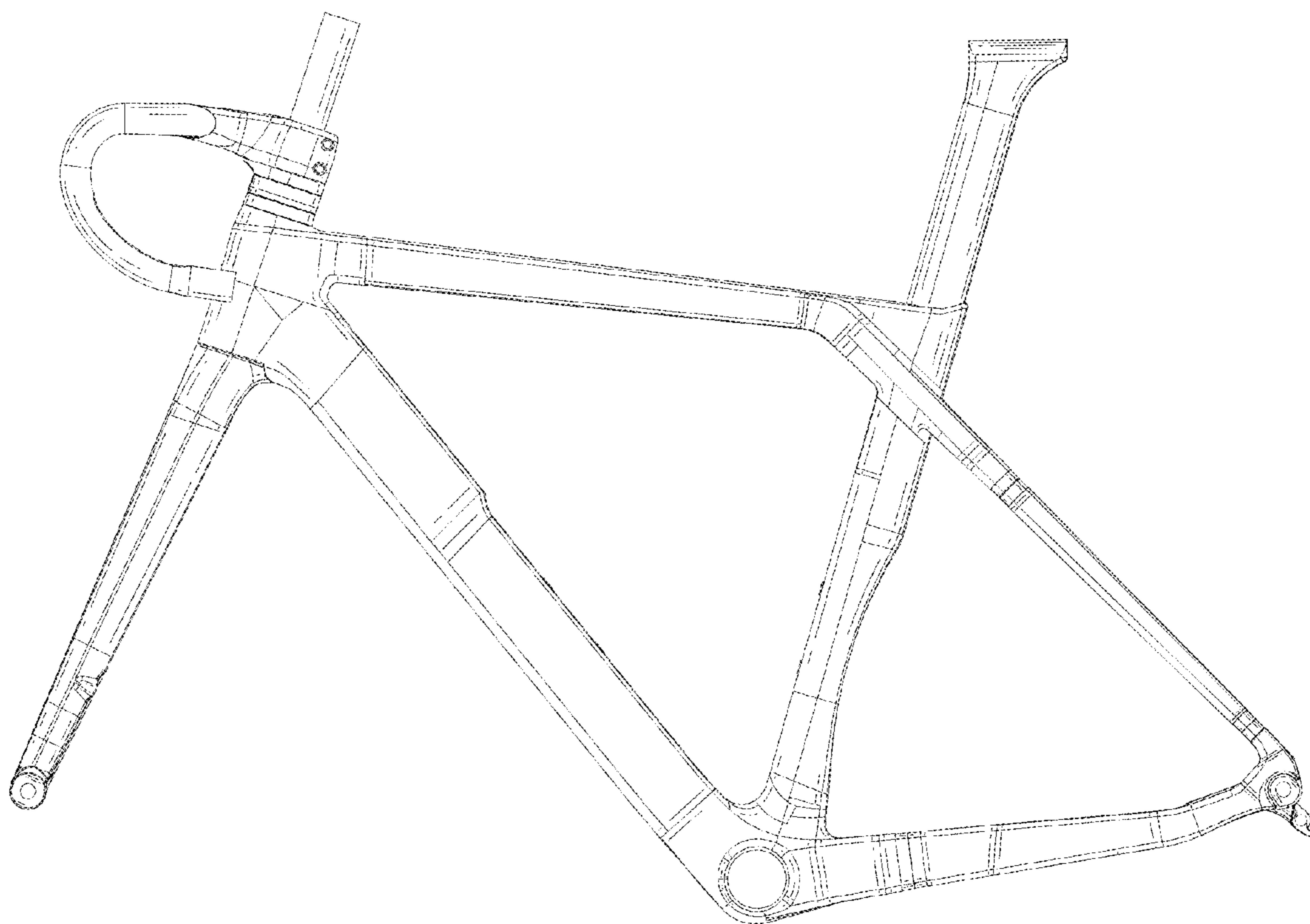


FIG. 4

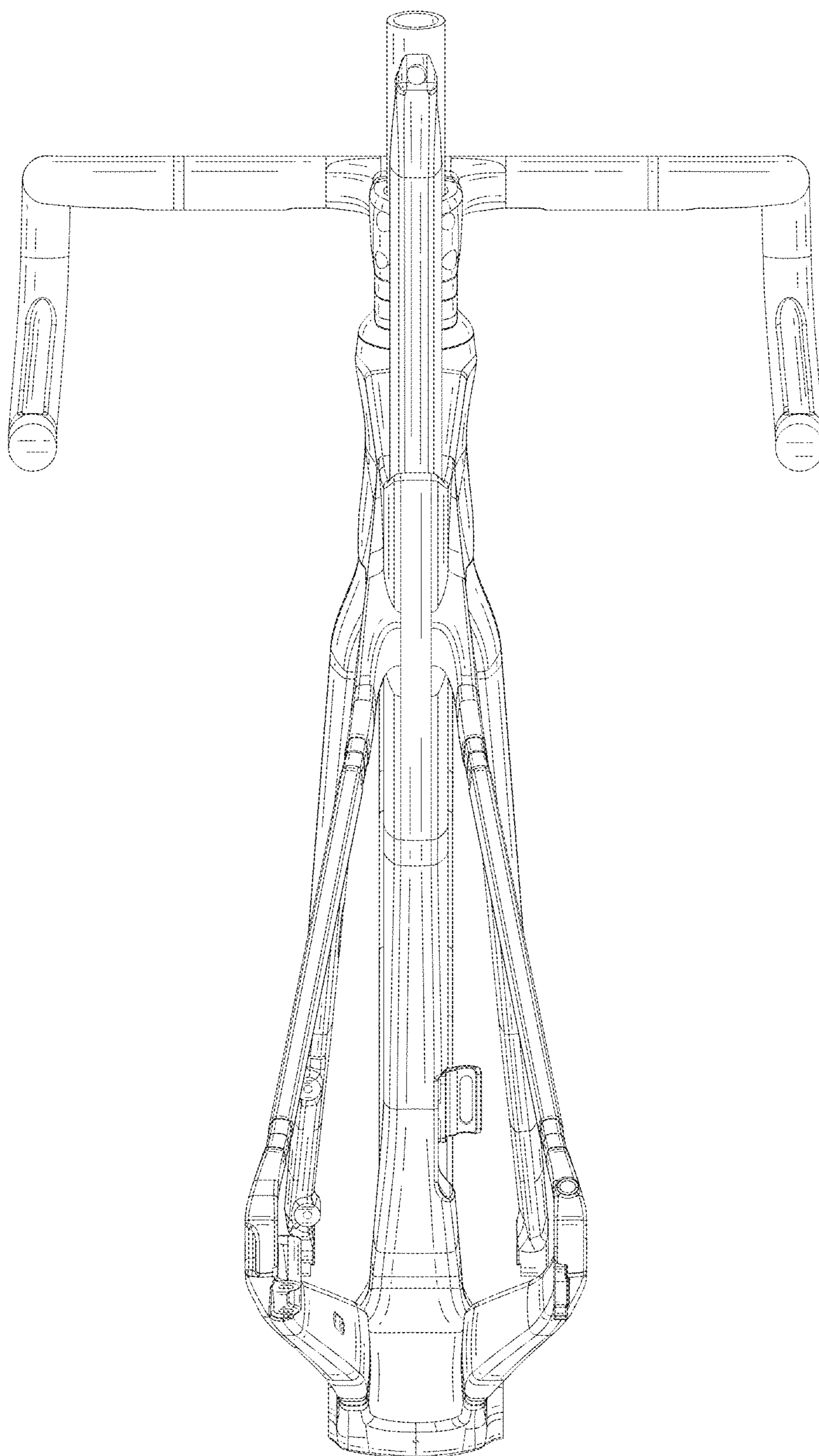


FIG. 5

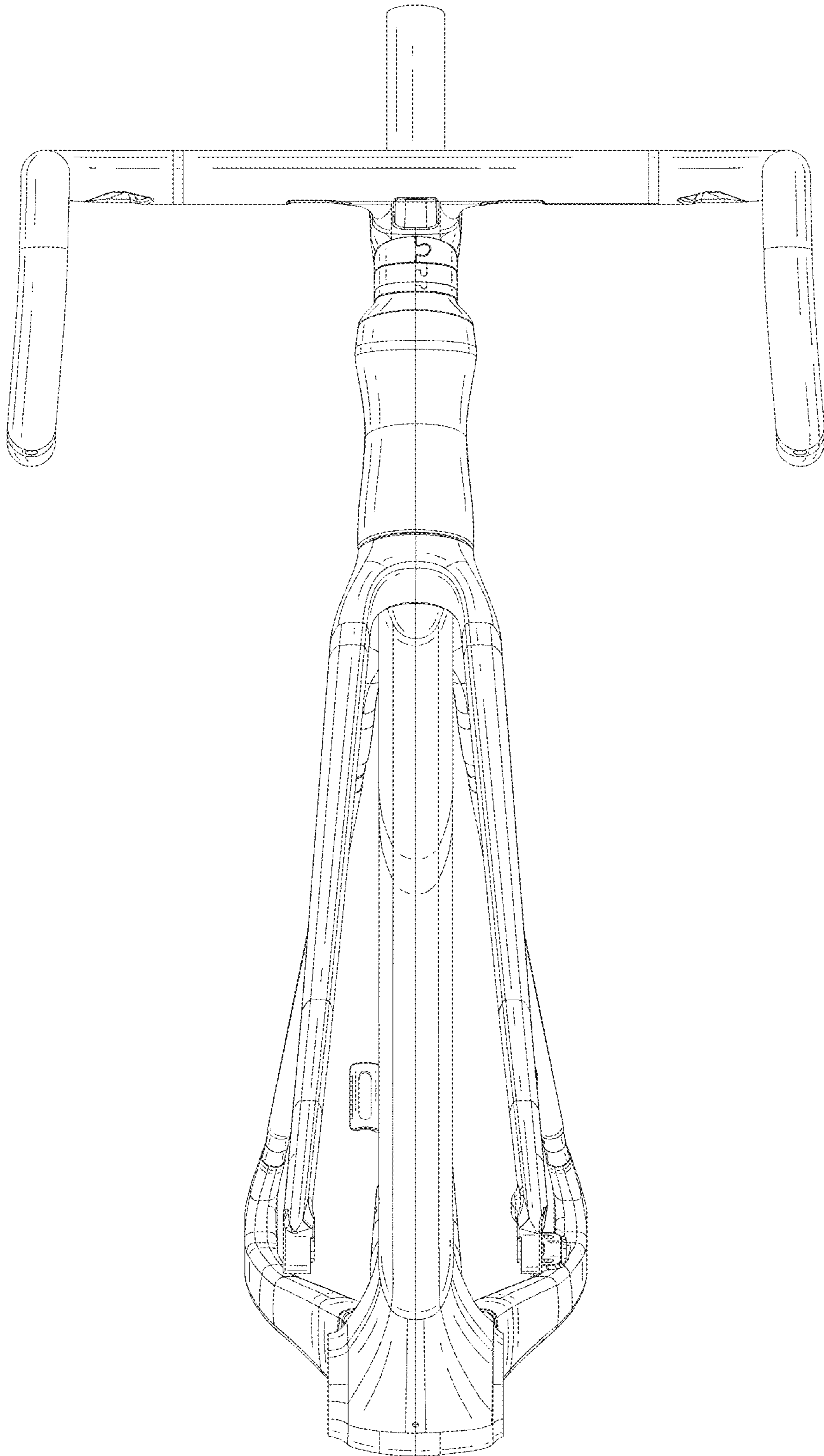


FIG. 6

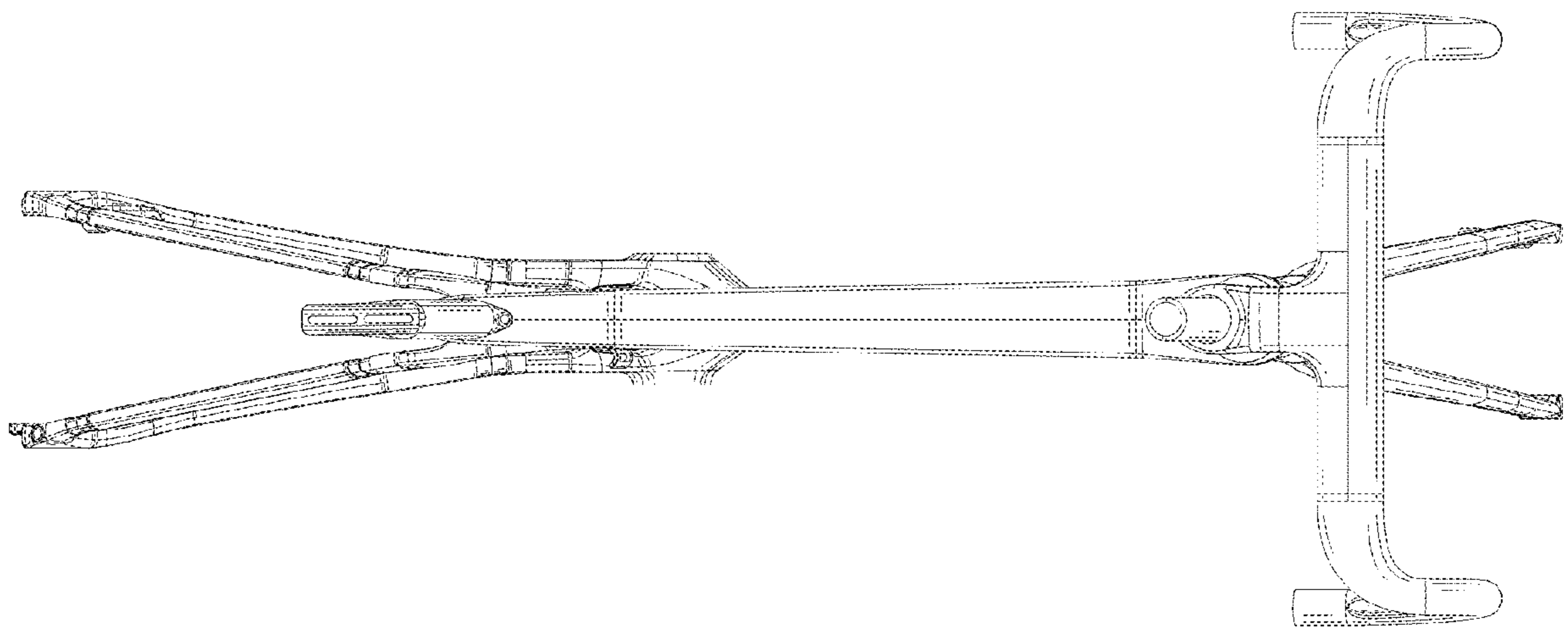


FIG. 7



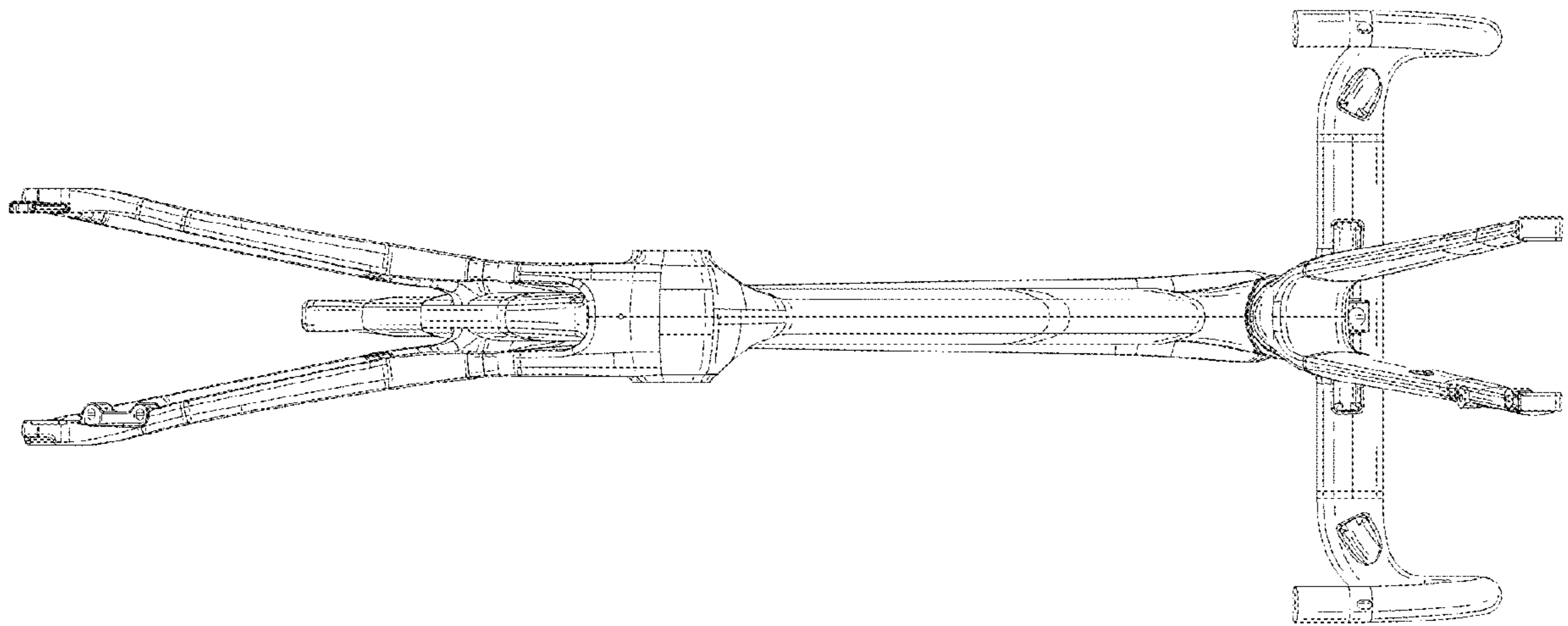


FIG. 8