



US00D978022S

(12) **United States Design Patent**  
**Lemle et al.**

(10) **Patent No.:** **US D978,022 S**

(45) **Date of Patent:** **\*\* \*Feb. 14, 2023**

(54) **HOUSING FOR MAGNETIC GARMENT FASTENER**

(71) Applicant: **Open Style Lab, Inc.**, Great Neck, NY (US)

(72) Inventors: **Julia Lemle**, Great Neck, NY (US);  
**Julia Liao**, Great Neck, NY (US);  
**Karen Moskowitz**, Great Neck, NY (US); **Yu Chen**, Great Neck, NY (US);  
**Grace Jun**, Great Neck, NY (US)

(73) Assignee: **Open Style Lab, Inc.**, Great Neck, NY (US)

(\*) Notice: This patent is subject to a terminal disclaimer.

(\*\*) Term: **15 Years**

(21) Appl. No.: **29/702,180**

(22) Filed: **Aug. 16, 2019**

(51) **LOC (14) Cl.** ..... **02-07**

(52) **U.S. Cl.**  
USPC ..... **D11/220**

(58) **Field of Classification Search**  
USPC ..... D2/713, 728, 739, 742, 860, 853;  
D11/220  
CPC ... A41D 13/129; A41D 2400/44; A41F 1/002;  
Y10T 24/32  
See application file for complete search history.

(56) **References Cited**

**U.S. PATENT DOCUMENTS**

- 540,173 A \* 5/1895 Luey ..... A41D 1/14  
2/212
- 555,535 A \* 3/1896 Sessler ..... A41D 1/14  
2/212
- D27,537 S \* 8/1897 Richardson ..... D11/220
- D27,538 S \* 8/1897 Richardson ..... D11/220

- 1,198,227 A \* 9/1916 Hinchey ..... E05C 19/16  
292/251.5
- 1,493,365 A \* 5/1924 Meas ..... A41F 1/00  
24/578.11
- D132,643 S \* 6/1942 Stricker ..... D2/742
- D135,642 S \* 5/1943 Giovagnoni ..... D2/742
- D303,641 S \* 9/1989 Aoki ..... D11/220
- D316,923 S \* 5/1991 Jensen ..... D2/713
- D319,201 S \* 8/1991 Aoki ..... D11/220
- D360,391 S \* 7/1995 Aoki ..... D11/220
- D363,683 S \* 10/1995 Spurgeon ..... D11/88
- D378,317 S \* 3/1997 Wike ..... D2/712

(Continued)

*Primary Examiner* — Kevin K Rudzinski

*Assistant Examiner* — Amber J Rabie

(74) *Attorney, Agent, or Firm* — Ladas & Parry LLP

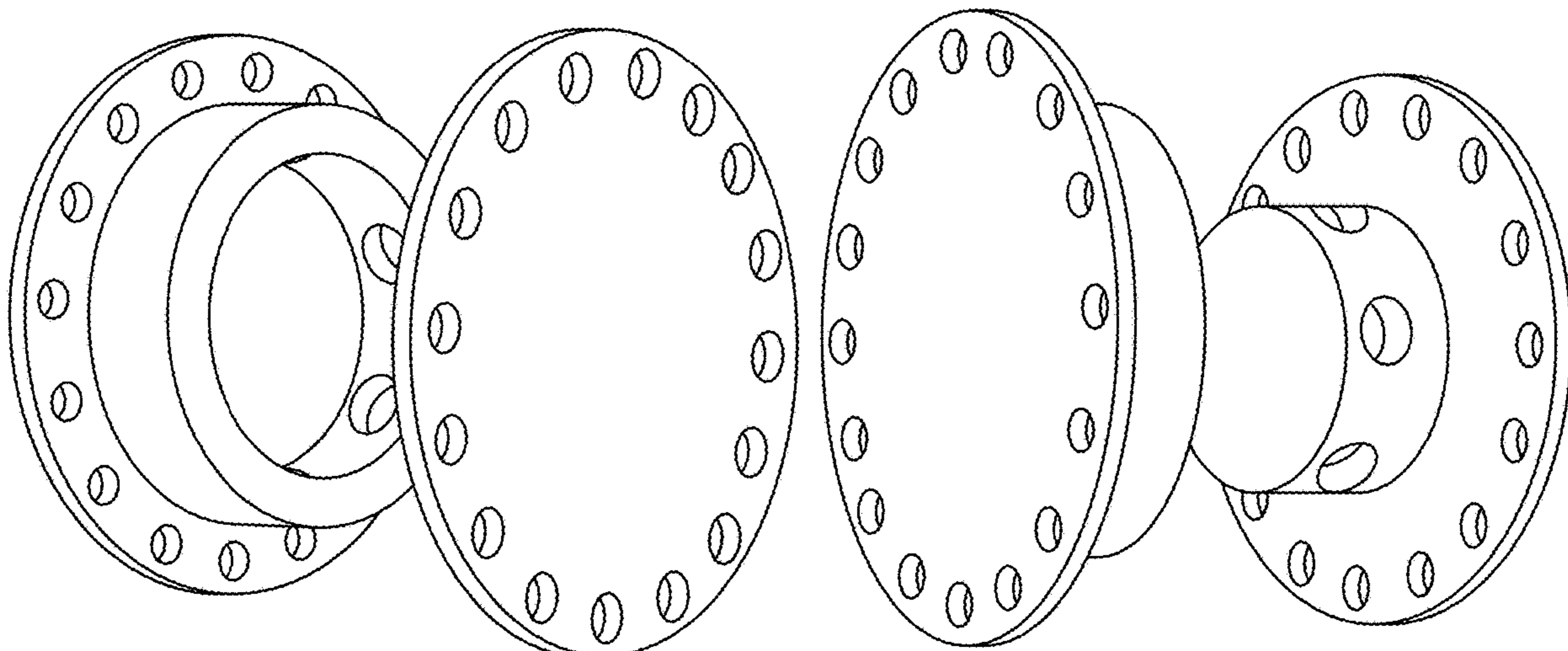
(57) **CLAIM**

The ornamental design for a housing for magnetic garment fastener, as shown and described.

**DESCRIPTION**

FIG. 1 is an exploded front elevational view of a housing for a magnetic garment fastener showing the two components of the fastener separated from each other;  
 FIG. 2 is an exploded rear elevational view thereof;  
 FIG. 3 is a bottom plan view thereof;  
 FIG. 4 is an exploded right side elevational view thereof;  
 FIG. 5 is an exploded left side elevational view thereof;  
 FIG. 6 is a top plan view of one component of the housing for a magnetic garment fastener;  
 FIG. 7 is a top plan view of the second component of the housing for a magnetic garment fastener;  
 FIG. 8 is a first perspective view of the housing for a magnetic garment fastener in an open condition with the two components in close proximity;  
 FIG. 9 is a second perspective view of the housing for a magnetic garment fastener in an open condition with the two components in close proximity; and,  
 FIG. 10 is perspective view of the housing for a magnetic garment fastener in a closed condition.

**1 Claim, 7 Drawing Sheets**



(56)

References Cited

U.S. PATENT DOCUMENTS

D385,086 S *	10/1997	McKenna	.....	D2/742	D833,712 S *	11/2018	Denton	.....	A41D 1/14
D393,141 S *	4/1998	Glycenfer	.....	D2/728					D2/742
D418,966 S *	1/2000	Walsh	.....	A41D 1/14	2003/0072634 A1 *	4/2003	Powell	.....	F16B 13/085
				D2/712					411/358
D441,318 S *	5/2001	Akashi	.....	D11/220	2003/0154576 A1 *	8/2003	Mirharooni	.....	A44B 5/02
6,226,842 B1 *	5/2001	Wong	.....	A41F 1/002					24/41.1
				24/303	2006/0196900 A1 *	9/2006	Sasick	.....	A45F 5/00
D539,132 S *	3/2007	Aoki	.....	D8/382					224/183
D572,579 S *	7/2008	Aoki	.....	D8/382	2010/0242230 A1 *	9/2010	Cohen	.....	A44B 5/02
8,464,377 B1 *	6/2013	Carson	.....	A47G 9/02					24/41.1
				5/498	2010/0289288 A1 *	11/2010	Smith	.....	B60R 13/0206
8,851,534 B2 *	10/2014	Fiedler	.....	H01F 7/0263					296/35.1
				220/230	2011/0167595 A1 *	7/2011	Fiedler	.....	H01F 7/0263
D737,719 S *	9/2015	Gittens	.....	H01F 7/0263					24/303
				D11/87	2013/0303000 A1 *	11/2013	Witter	.....	F16B 1/00
D746,027 S *	12/2015	Kremer	.....	D2/853					439/39
D817,810 S *	5/2018	Chen	.....	D11/220	2015/0234201 A1 *	8/2015	Levesque	.....	G02C 11/00
									351/155
					2018/0213851 A1 *	8/2018	O'Donnell	.....	A41F 1/002
					2019/0208848 A1 *	7/2019	Tong	.....	A44B 19/262

\* cited by examiner

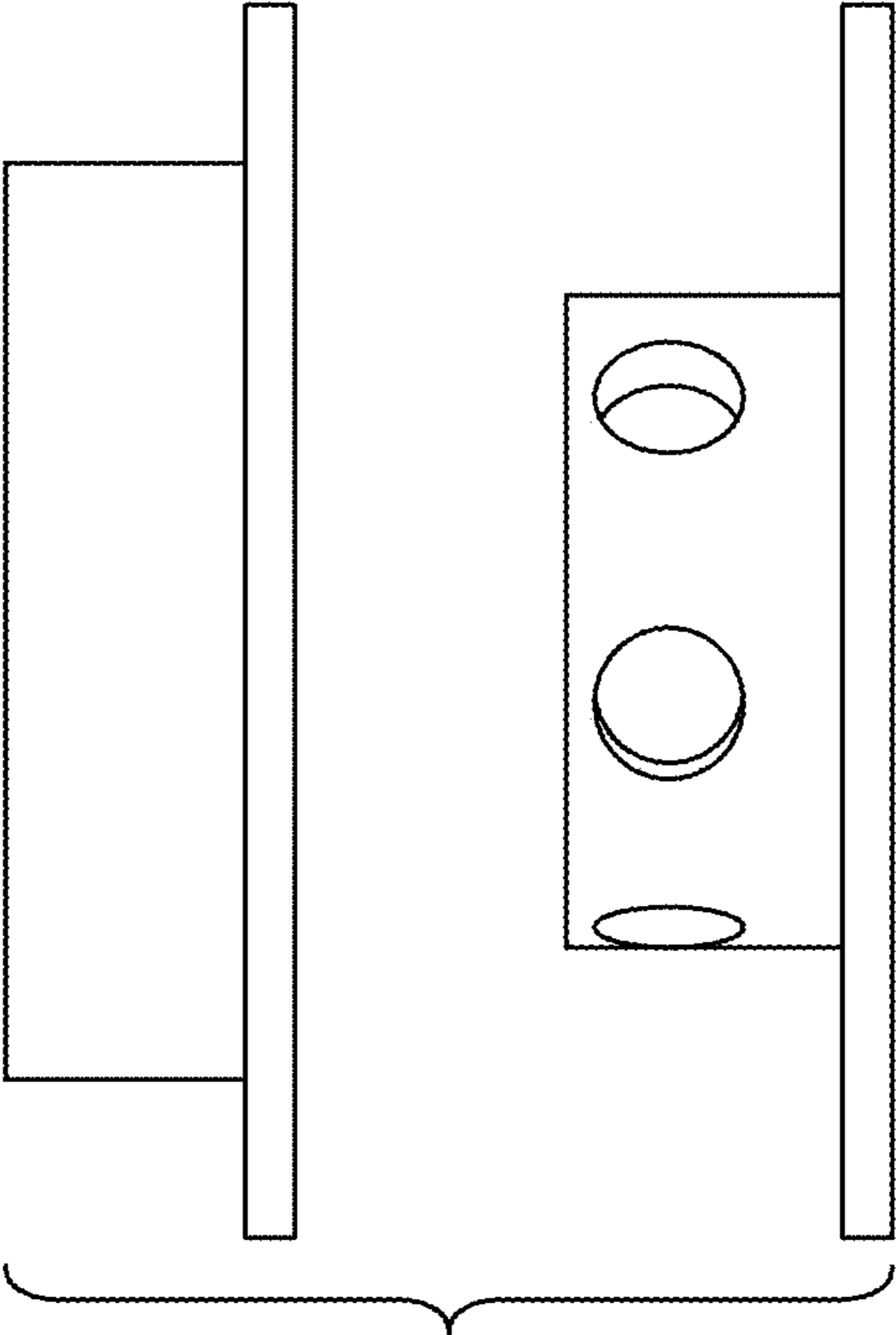


FIG. 1

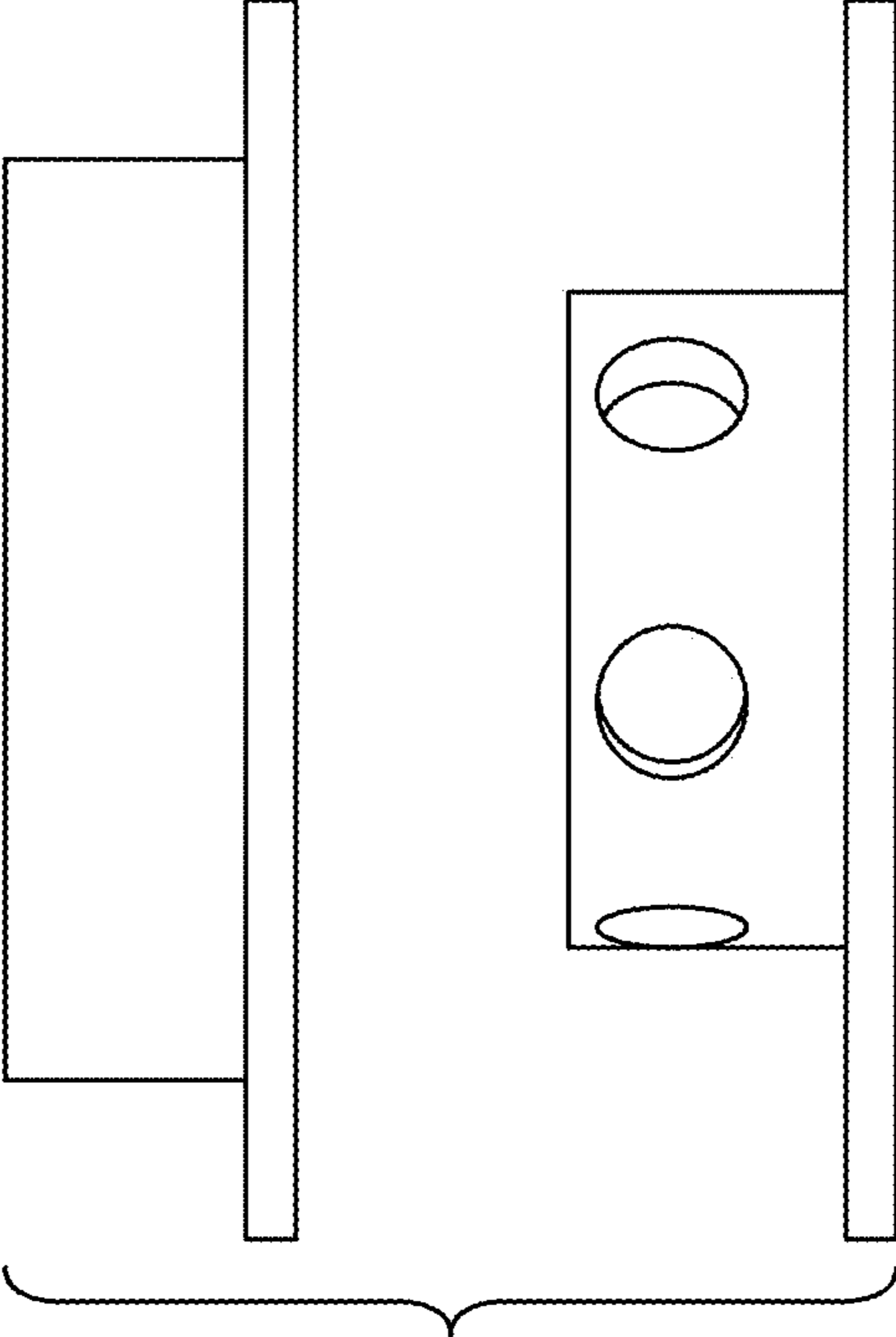


FIG. 2

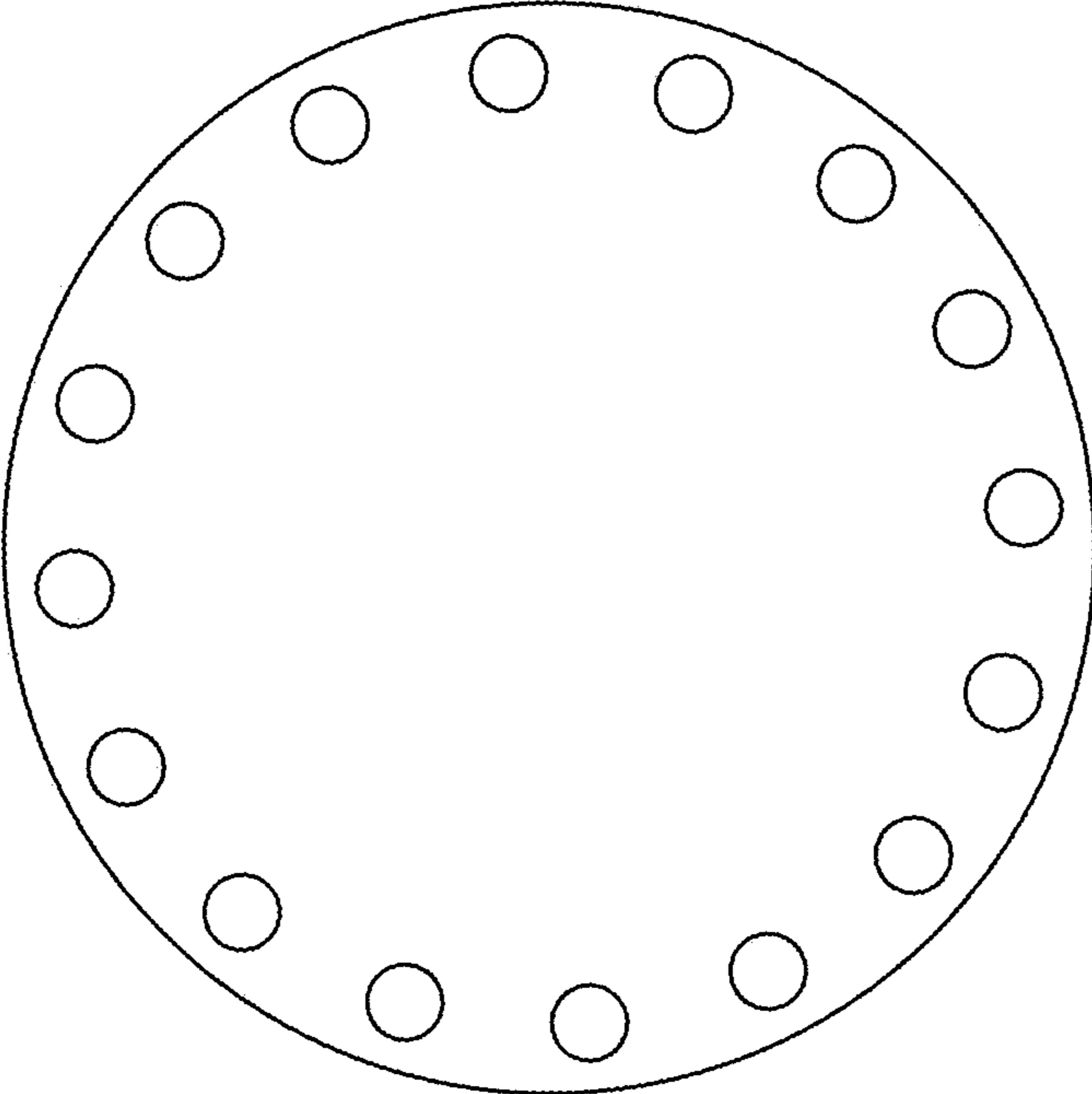


FIG. 3

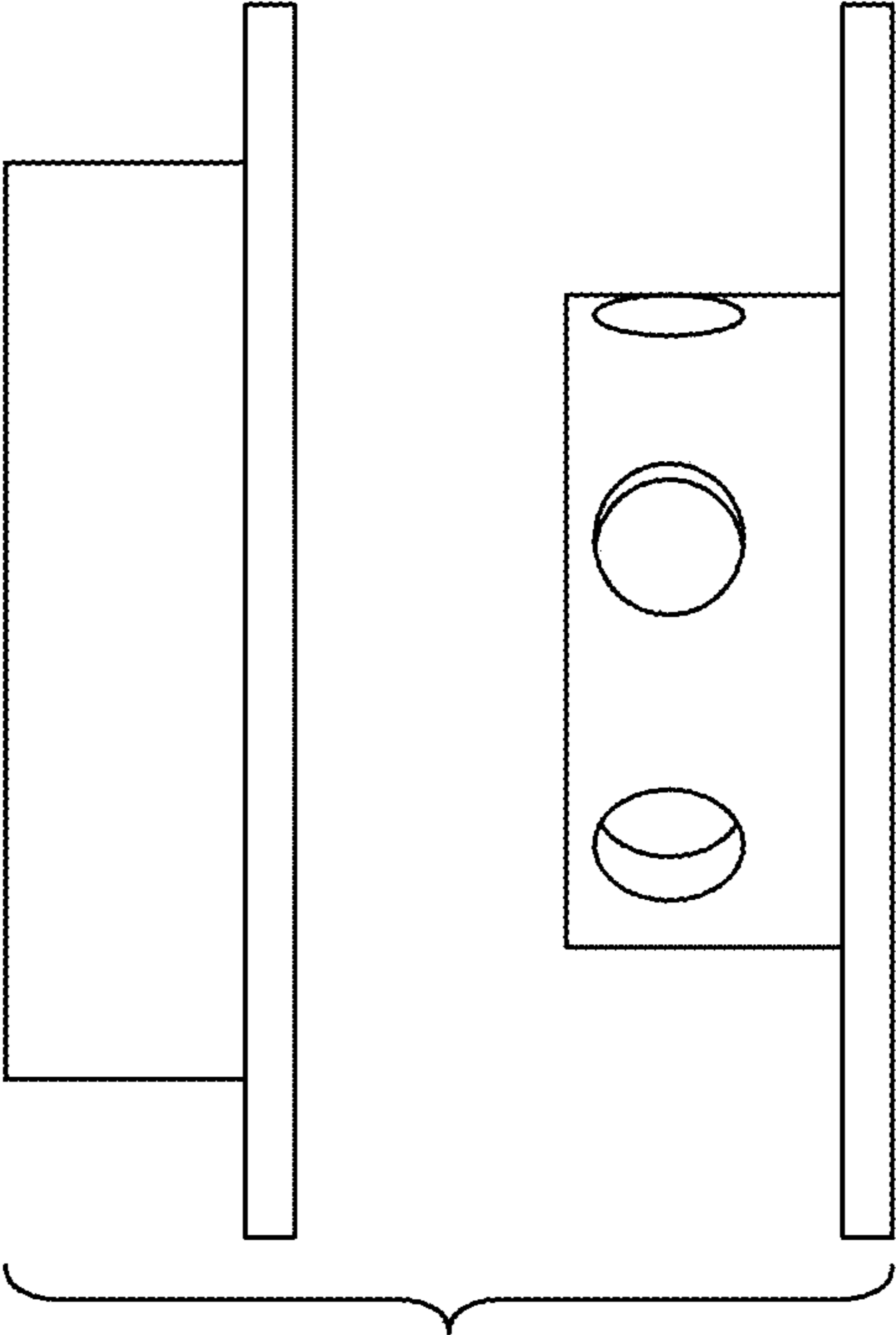


FIG. 4

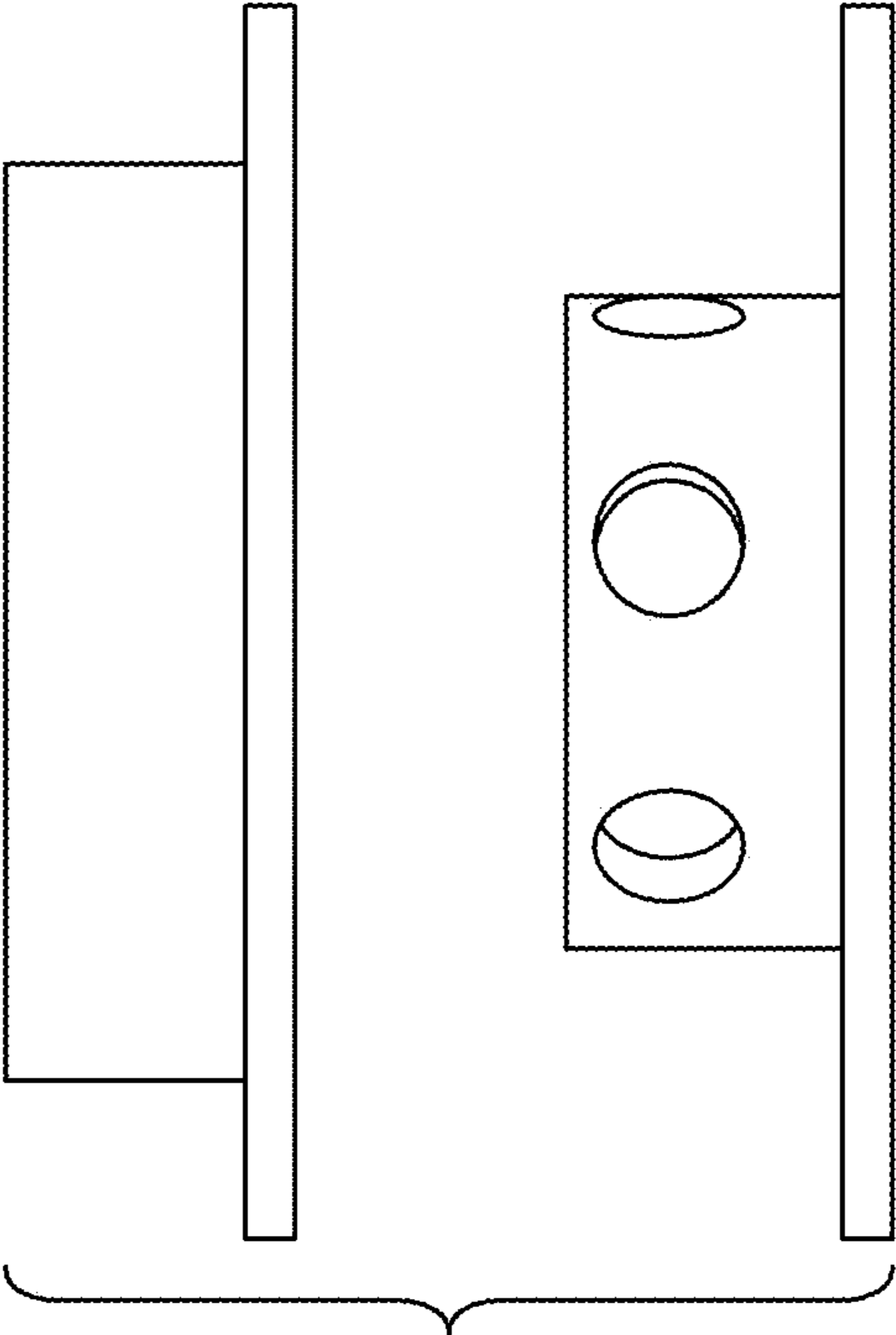


FIG. 5

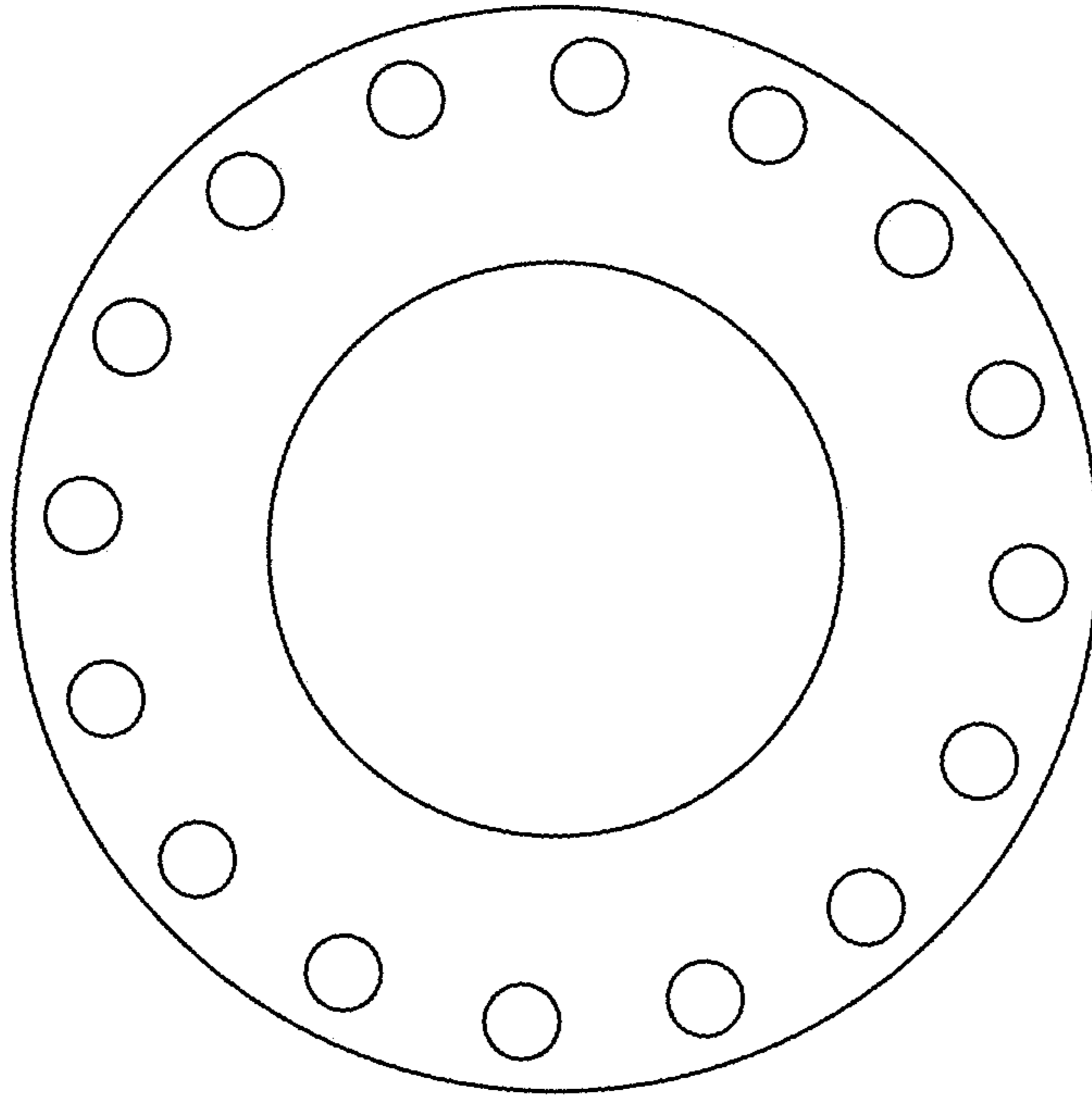


FIG. 7

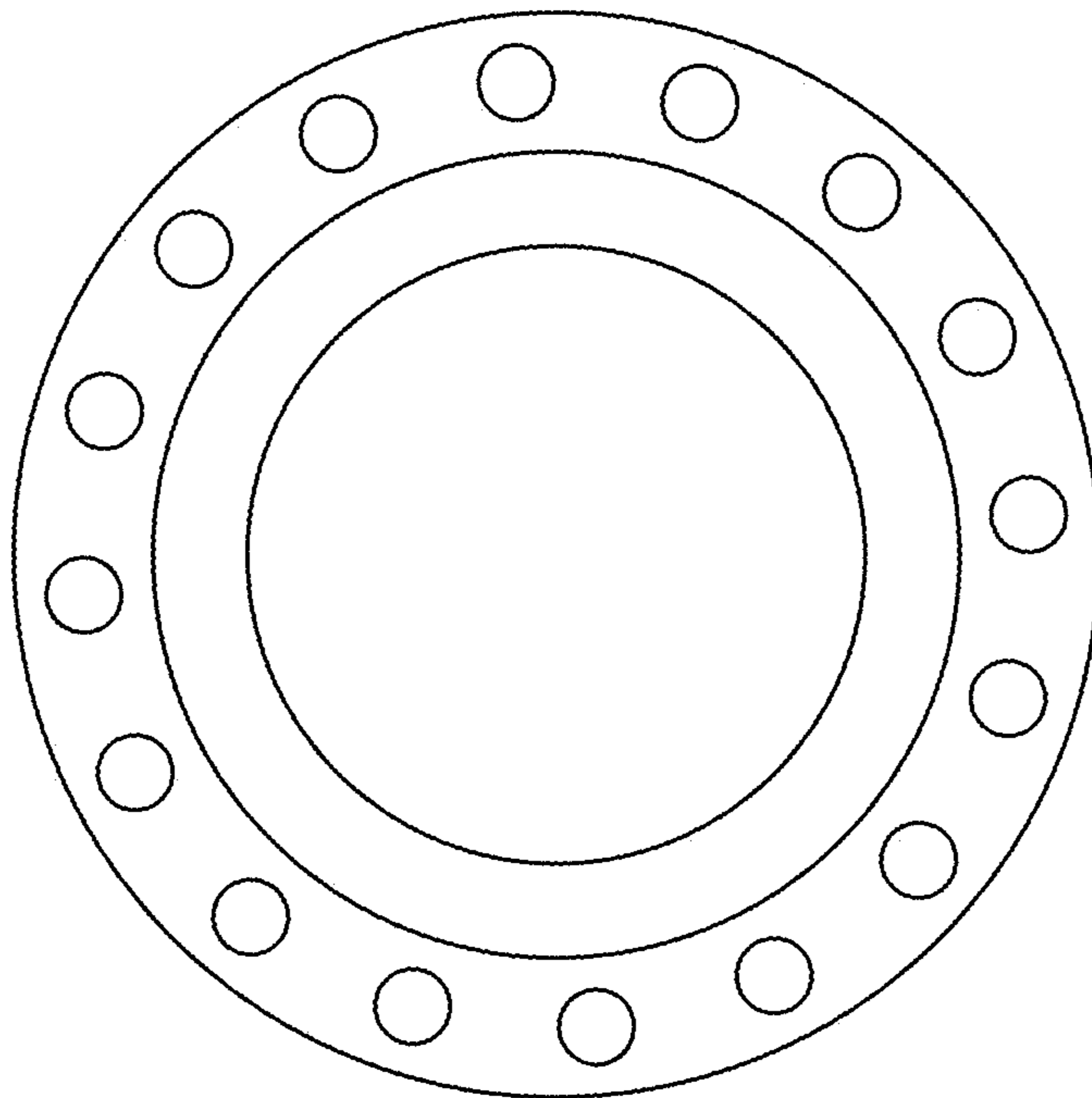


FIG. 6



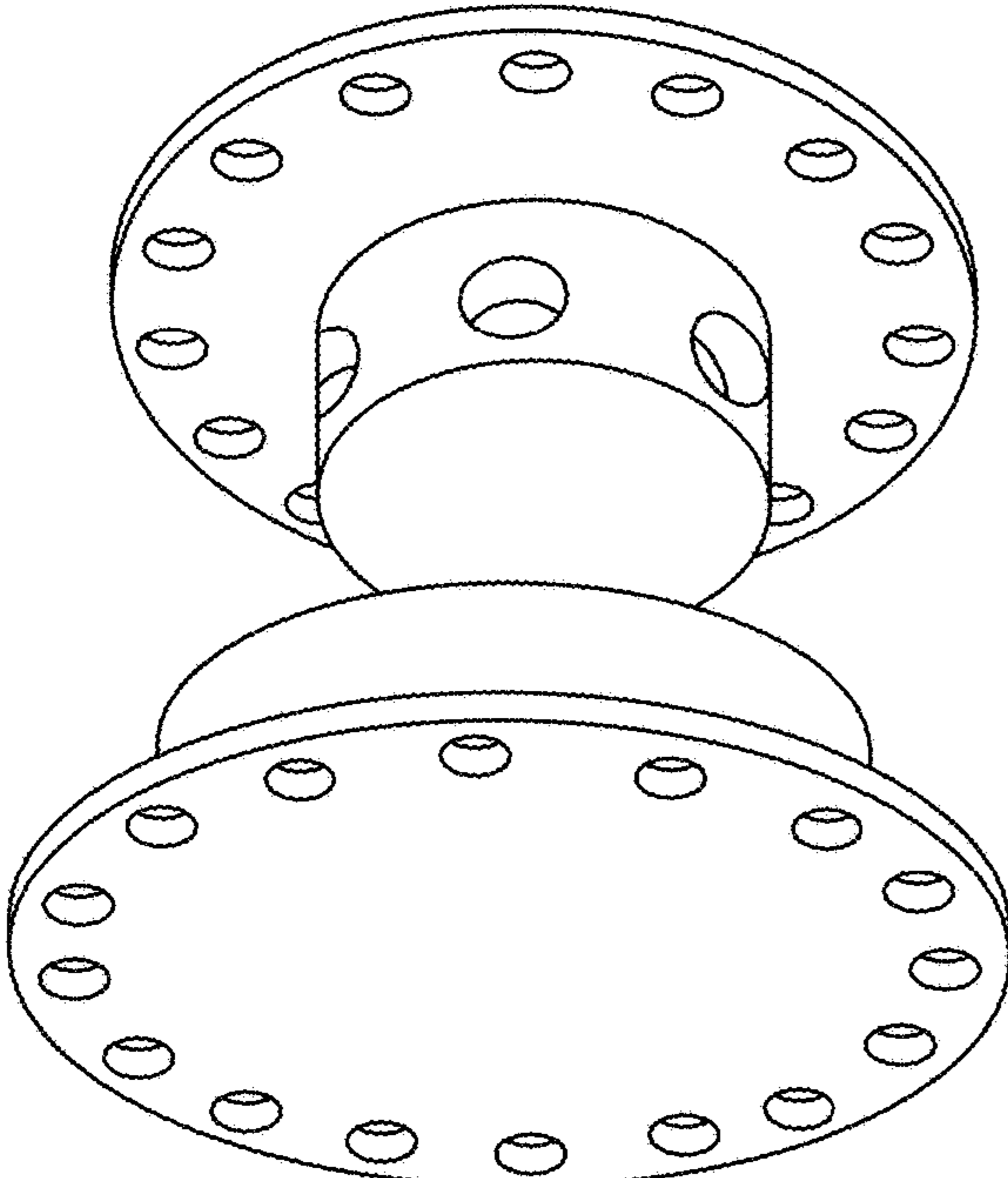


FIG. 9

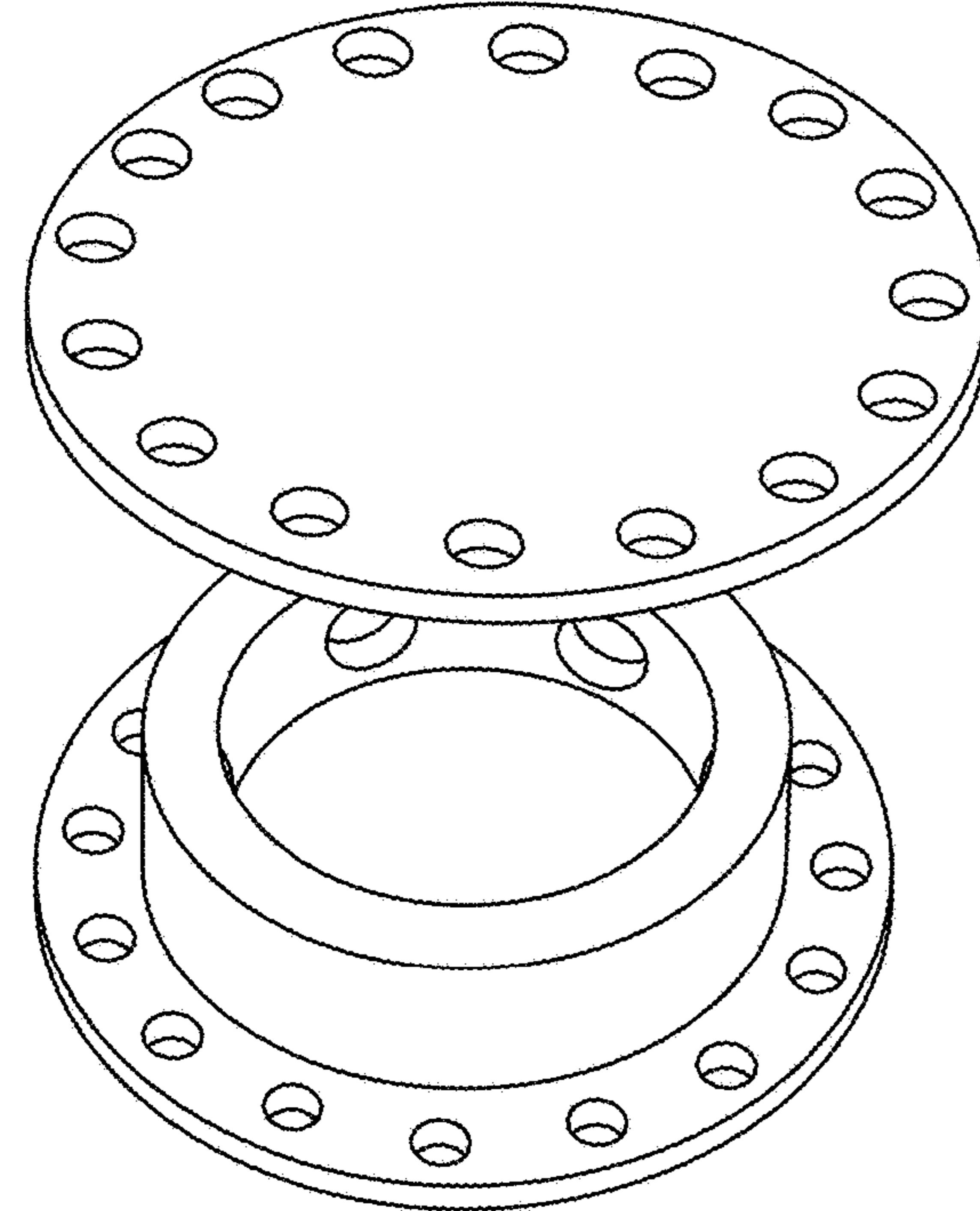


FIG. 8

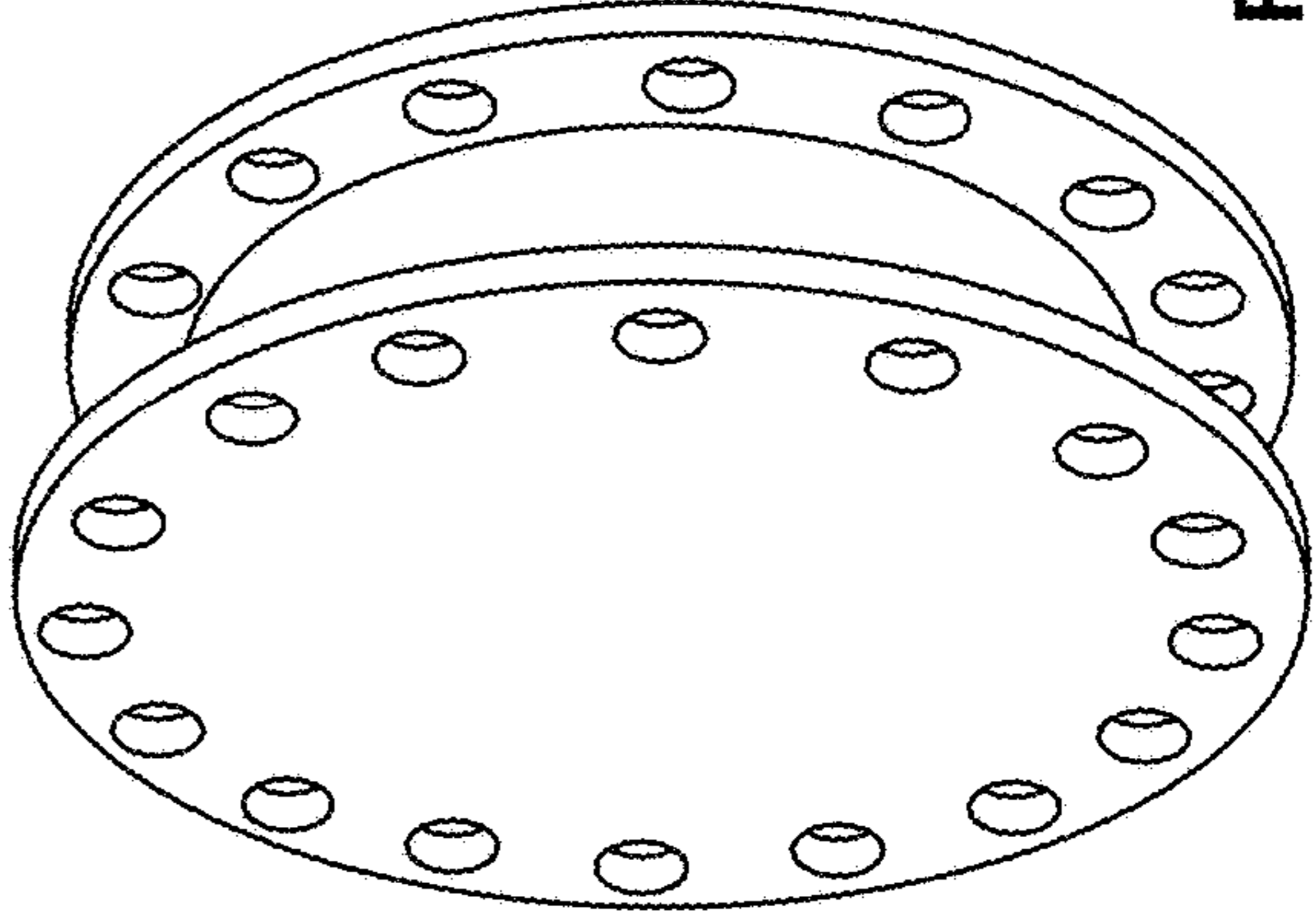


FIG. 10