



US00D978017S

(12) **United States Design Patent**  
**Zhang**

(10) **Patent No.:** **US D978,017 S**

(45) **Date of Patent:** **\*\* Feb. 14, 2023**

(54) **MINIATURE PLANT GROWING DEVICE WITH WATER VAPOR CYCLE**

(71) Applicant: **Teng Zhang**, Guangdong (CN)

(72) Inventor: **Teng Zhang**, Guangdong (CN)

(\*\*) Term: **15 Years**

(21) Appl. No.: **29/846,291**

(22) Filed: **Jul. 14, 2022**

(51) **LOC (14) Cl.** ..... **11-02**

(52) **U.S. Cl.**  
USPC ..... **D11/152**

(58) **Field of Classification Search**  
USPC ..... D6/403-405, 556-558; D7/602, 612, D7/624.3, 629; D11/143, 152-154, 164  
CPC ..... A01G 9/021  
See application file for complete search history.

(56) **References Cited**

**U.S. PATENT DOCUMENTS**

D279,175 S *	6/1985	Eklof	.....	D11/143
D402,766 S *	12/1998	Smith	.....	D24/227
D518,728 S *	4/2006	Frantz	.....	D9/504
D525,166 S	7/2006	Cordeiro		
D546,241 S	7/2007	Schmidt		
7,758,711 B1 *	7/2010	Querubin	.....	A01G 9/02 156/95
D622,554 S *	8/2010	Carreno	.....	A47G 7/06 D7/629
D698,909 S *	2/2014	Chou	.....	D23/366
D700,102 S *	2/2014	Salojarvi	.....	A01G 9/02 D11/145
D742,562 S *	11/2015	Kasha	.....	A47G 7/06 D26/9
D814,345 S *	4/2018	Siegel	.....	D11/152
D832,740 S	11/2018	Grohmann		
D834,993 S *	12/2018	Krus	.....	D11/152
D870,040 S *	12/2019	Wu	.....	D13/108
D881,747 S	4/2020	Harshman		

(Continued)

**OTHER PUBLICATIONS**

Hydroponic Gardening Pod Planter, published on (Apr. 25, 2018) on amazon.com, retrieved from internet (Oct. 17, 2022). <URL: https://www.amazon.com/WP-HYDROPOD-Hydroponic-Gardening-Planter-Spaces/dp/B07CPHBF5Z/ref=asc\_df\_B07CPHBF5Z/> (Year: 2018).\*

(Continued)

*Primary Examiner* — Joseph Kukella

*Assistant Examiner* — Heather Ann Laaveg Wencil

(57) **CLAIM**

The ornamental design for a miniature plant growing device with water vapor cycle, as shown and described.

**DESCRIPTION**

FIG. 1 is a top perspective view of a miniature plant growing device with water vapor cycle design showing my new design.

FIG. 2 is a front view of the miniature plant growing device with water vapor cycle.

FIG. 3 is a rear view of the miniature plant growing device with water vapor cycle.

FIG. 4 is a left view of the miniature plant growing device with water vapor cycle.

FIG. 5 is a right view of the miniature plant growing device with water vapor cycle.

FIG. 6 is a top view of the miniature plant growing device with water vapor cycle.

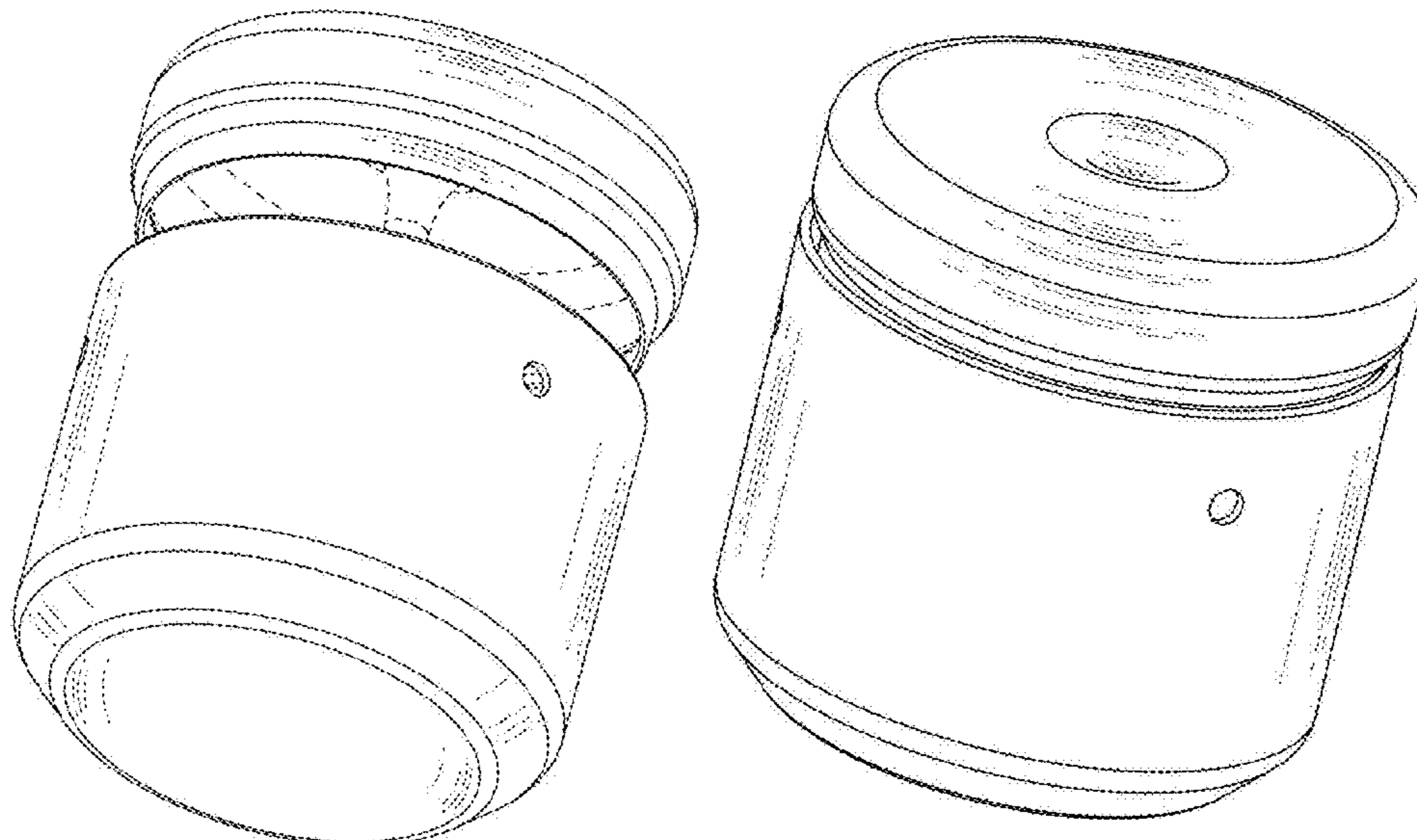
FIG. 7 is a bottom view of the miniature plant growing device with water vapor cycle.

FIG. 8 is a bottom perspective view of the miniature plant growing device with water vapor cycle; and,

FIG. 9 is a perspective view of the miniature plant growing device with water vapor cycle in the closed state.

The broken lines in the drawings depict environmental subject matter that forms no part of the claimed design.

**1 Claim, 9 Drawing Sheets**



(56)

**References Cited**

U.S. PATENT DOCUMENTS

D927,350 S      8/2021 Zhan  
D928,026 S      8/2021 Barile  
D928,654 S      8/2021 Zhan  
D947,714 S      4/2022 Bae  
D965,001 S \*    9/2022 Lee ..... D14/454

OTHER PUBLICATIONS

Oasis Planter, published on (Jul. 19, 2019) on [yankodesign.com](https://www.yankodesign.com), retrieved from internet (Oct. 17, 2022). <URL: <https://www.yankodesign.com/2019/07/19/the-oasis-planter-is-actually-a-side-table-with-lamp/>> (Year: 2019).\*

D'vine Dev Watering Pot, published on (Aug. 12, 2020) on [amazon.com](https://www.amazon.com), retrieved from internet Oct. 17, 2022). <URL: [https://www.amazon.com/dp/B08C4RS34D/ref=twister\\_B0972HQVM7](https://www.amazon.com/dp/B08C4RS34D/ref=twister_B0972HQVM7)> (Year: 2020).\*

Rockwell Exchange, reviewed on (Nov. 22, 2021) on [etsy.com](https://www.etsy.com), retrieved from internet (Oct. 17, 2022). <URL: <https://www.etsy.com/listing/999937717/propagation-funnelsplant-toolsmason-jar>> (Year: 2021).\*

\* cited by examiner

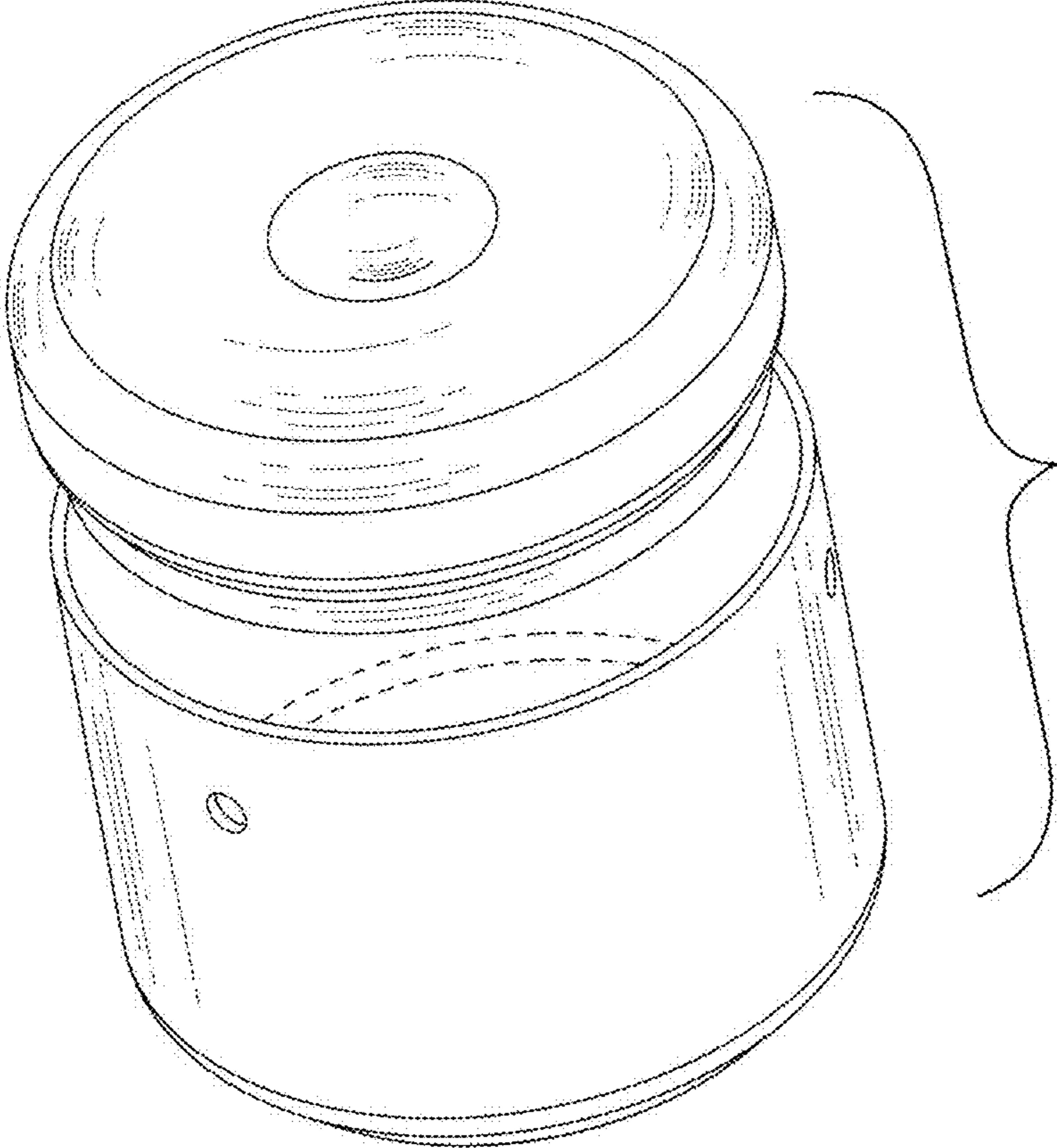


FIG. 1

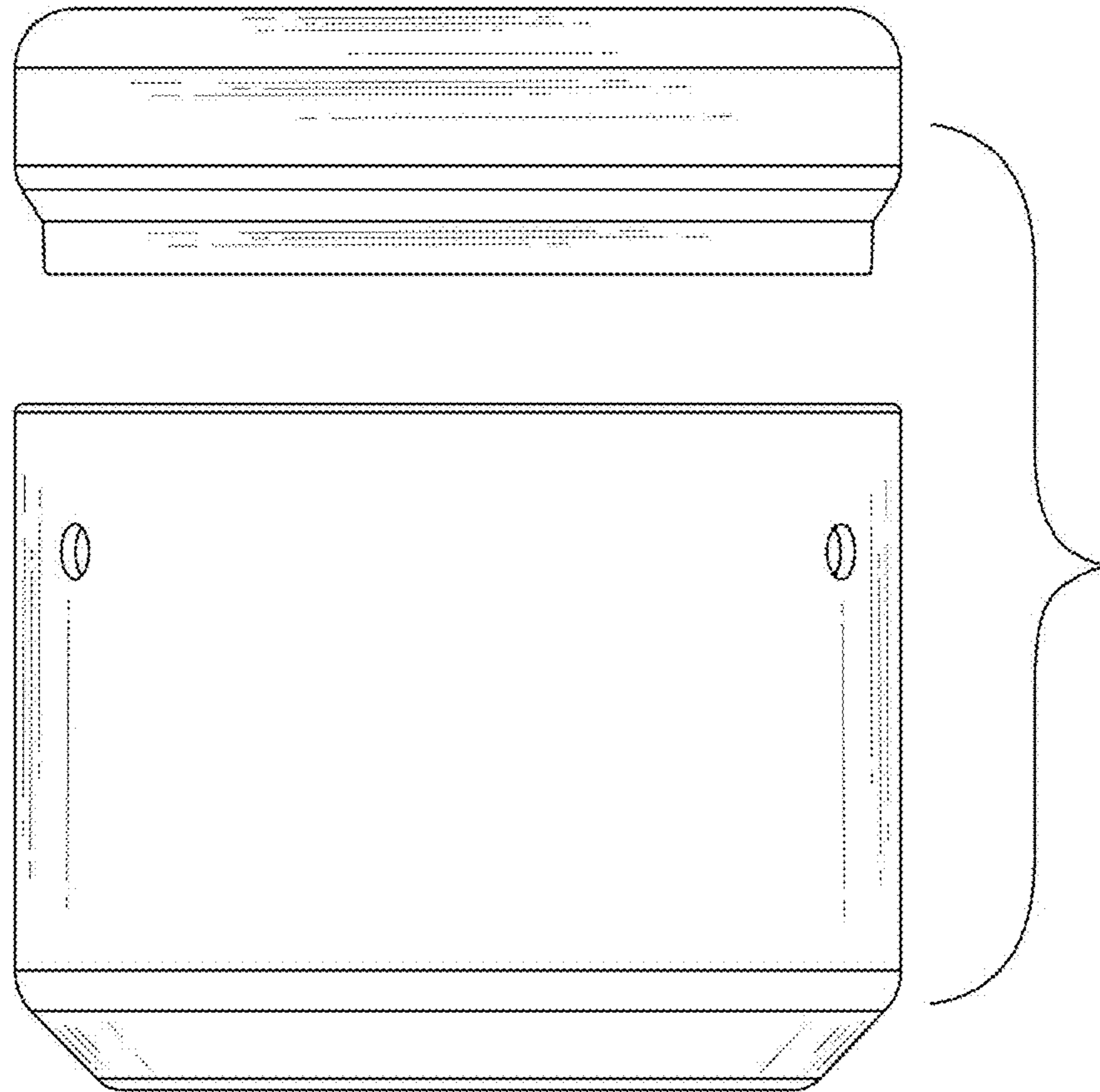


FIG. 2

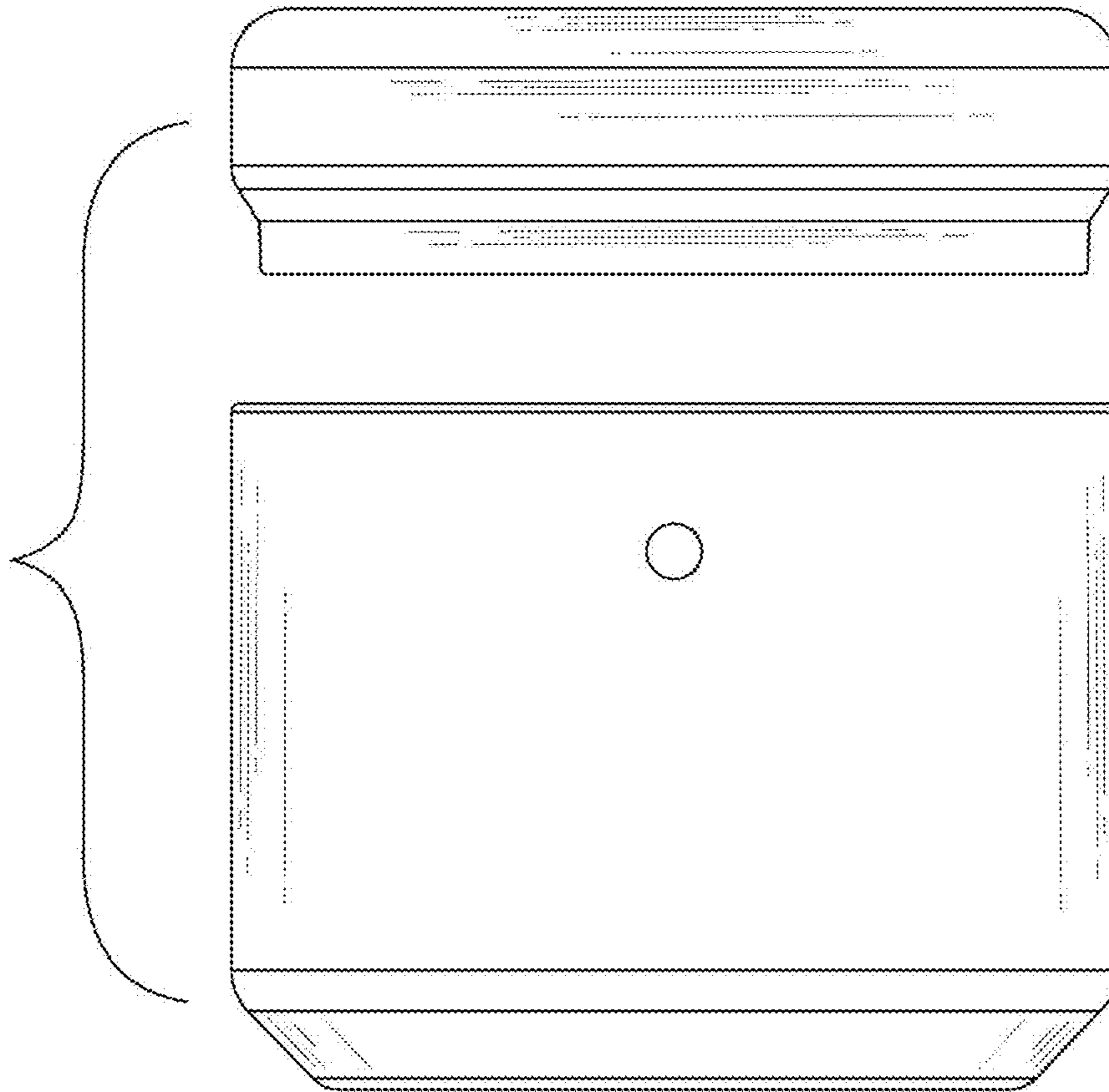


FIG. 3

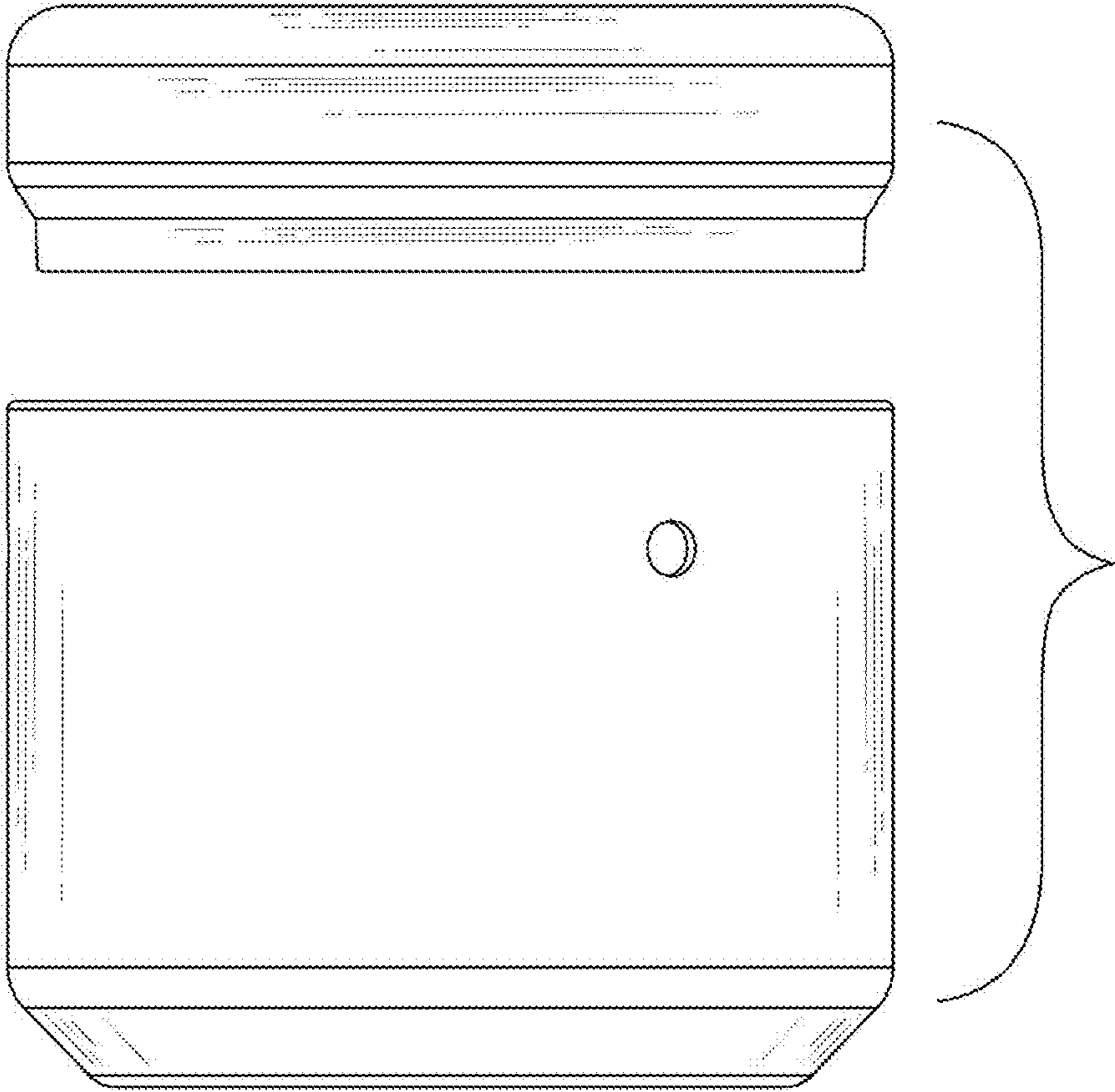


FIG. 4

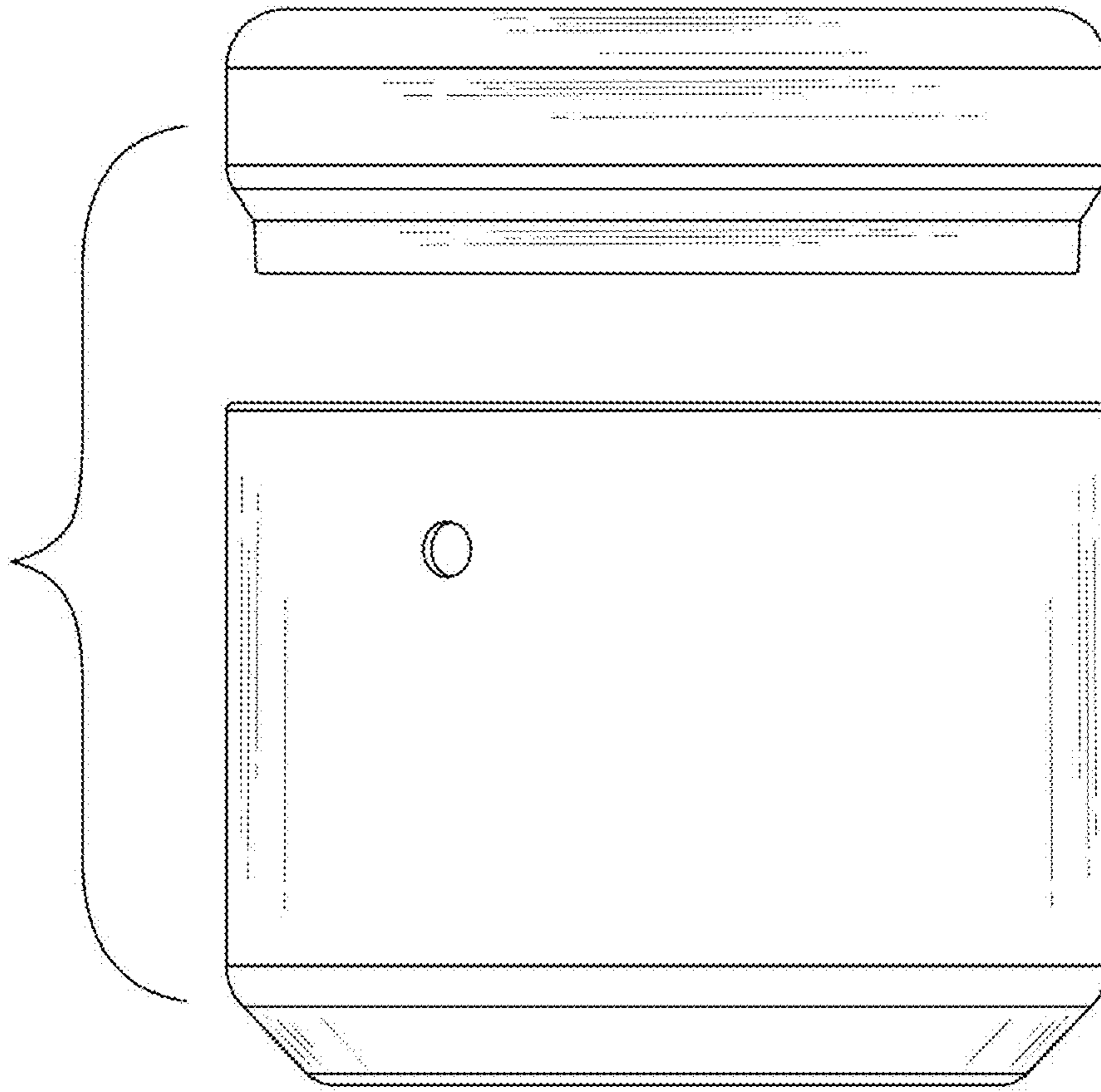


FIG. 5

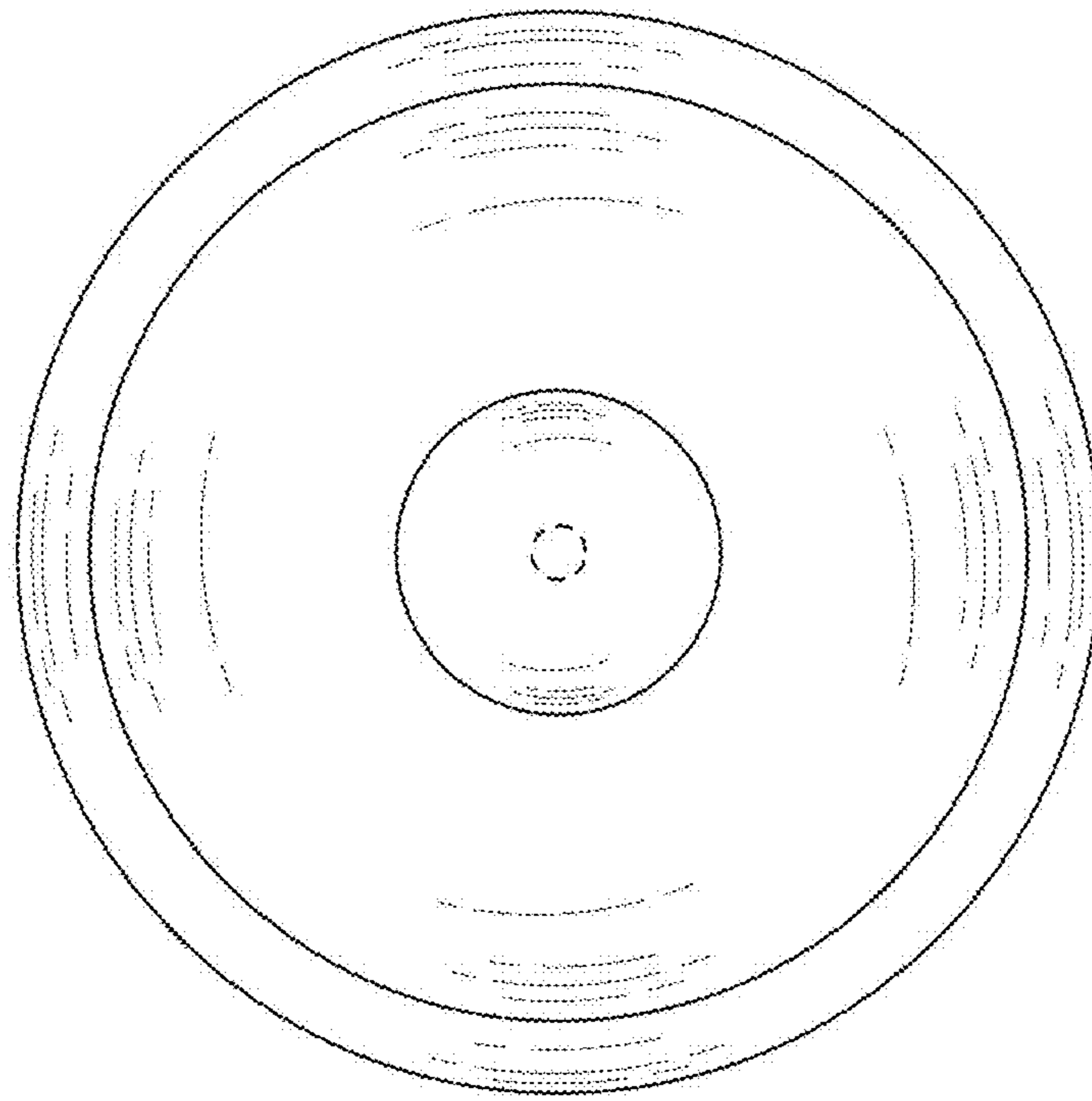


FIG. 6



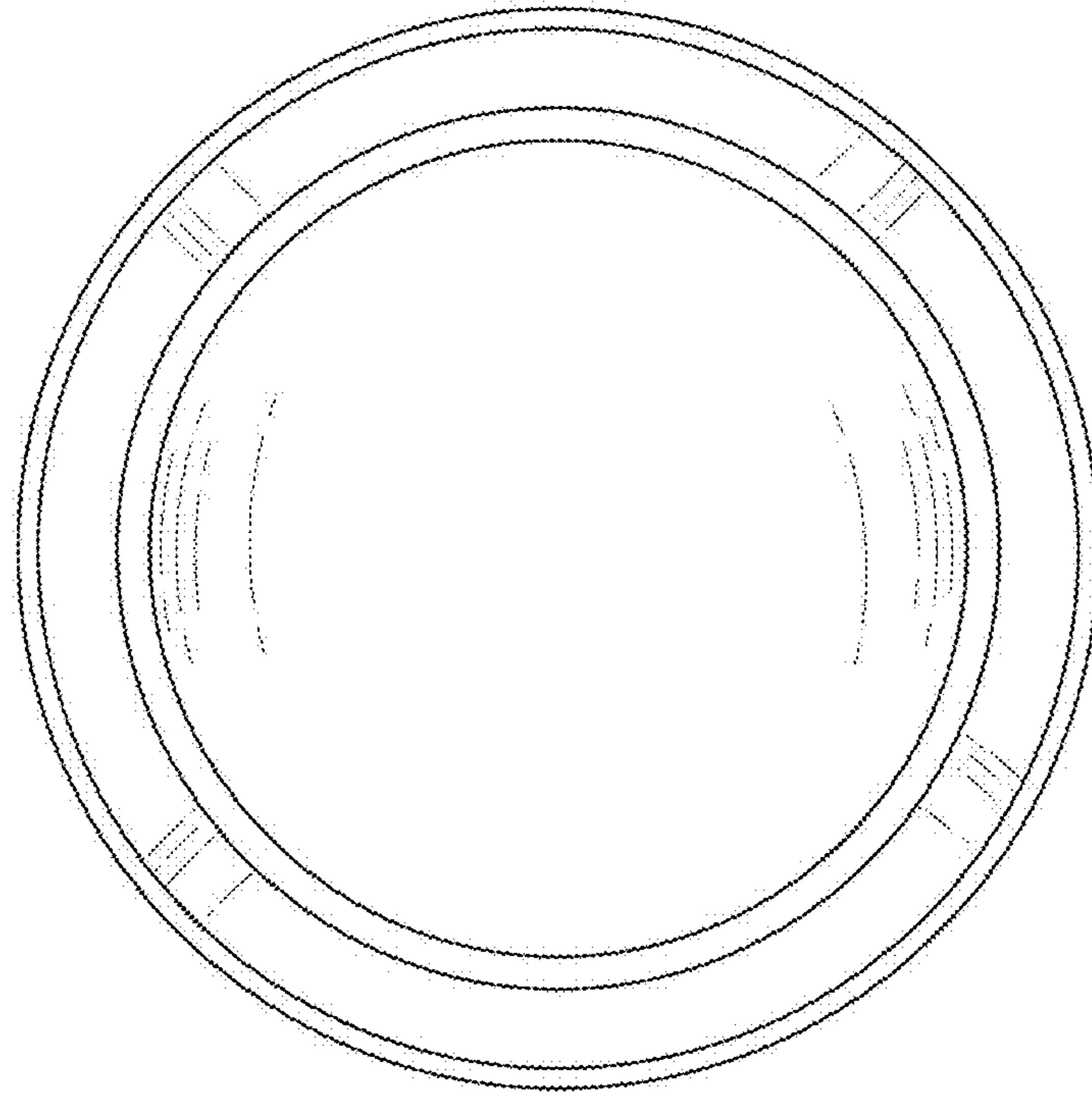


FIG. 7

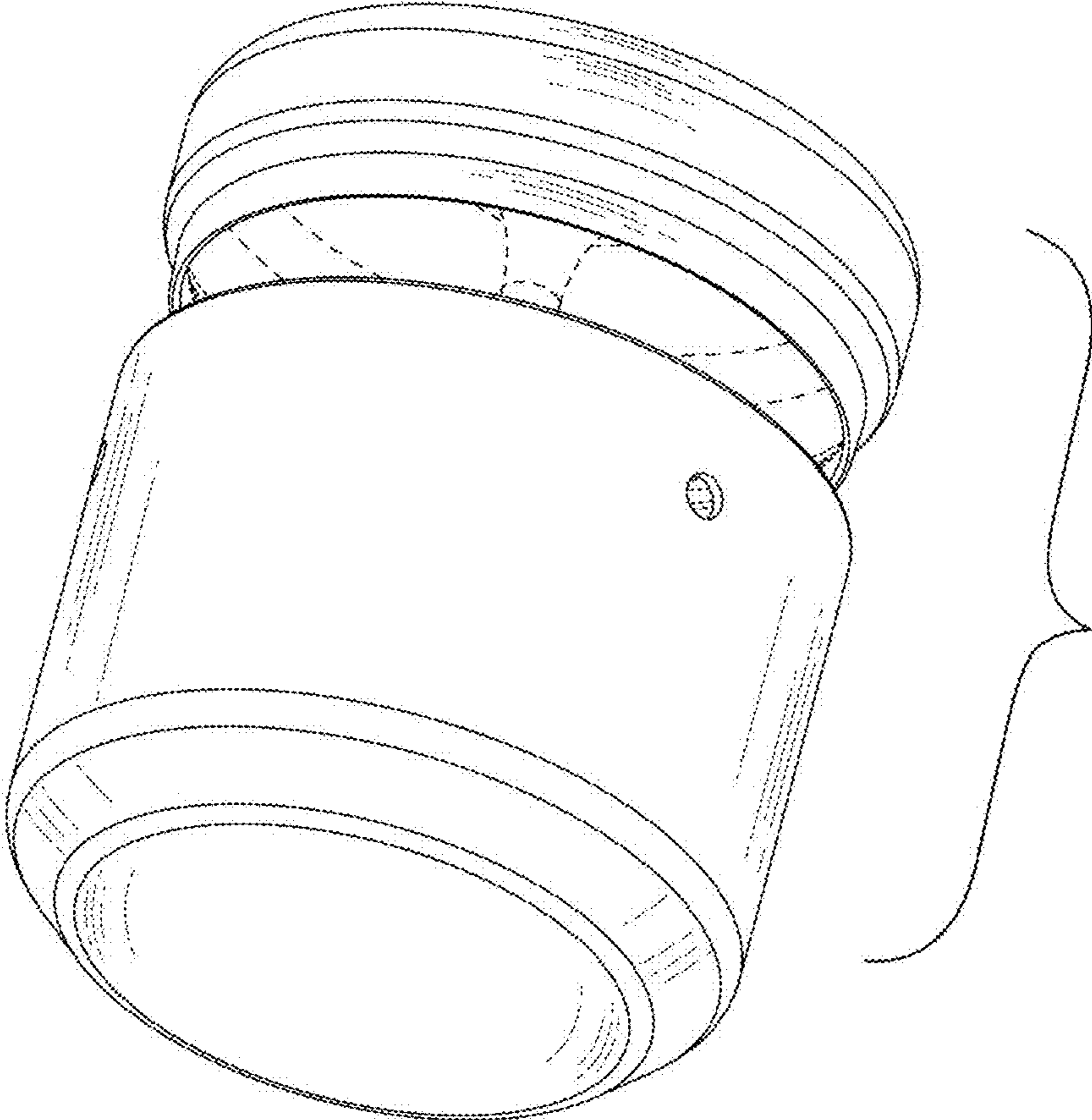


FIG. 8

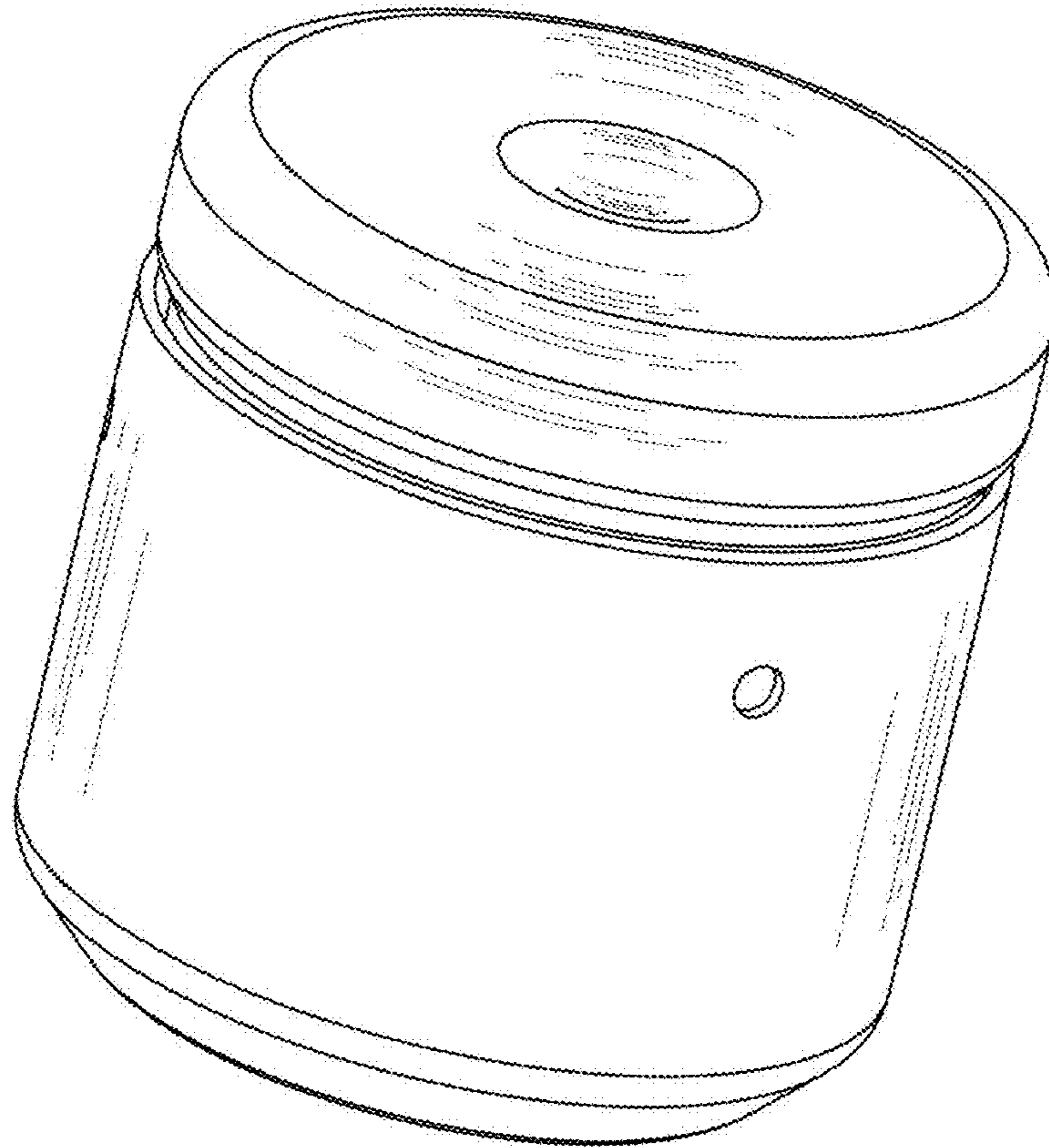


FIG. 9