



US00D978016S

(12) **United States Design Patent**
Gong

(10) **Patent No.:** **US D978,016 S**

(45) **Date of Patent:** **** Feb. 14, 2023**

(54) **FLOWERPOT**

(71) Applicant: **Dongguan Lanhong Photoelectric Technology Co., LTD**, Dongguan (CN)

(72) Inventor: **Baozu Gong**, Fuzhou (CN)

(**) Term: **15 Years**

(21) Appl. No.: **29/824,764**

(22) Filed: **Jan. 27, 2022**

(51) **LOC (14) Cl.** **11-02**

(52) **U.S. Cl.**
USPC **D11/152**

(58) **Field of Classification Search**
USPC D11/143, 144, 148, 152, 153, 164;
D7/354, 554.2

CPC A01G 9/00; A01G 9/02; A01G 9/021
See application file for complete search history.

(56) **References Cited**

U.S. PATENT DOCUMENTS

| | | | | | |
|--------------|------|---------|----------------------|-------|-----------------------|
| 2,045,189 | A * | 6/1936 | Judd | | A01G 9/021 47/65.5 |
| D202,507 | S * | 10/1965 | Shelby | | 215/10 |
| D241,764 | S * | 10/1976 | Gottsegen | | D11/152 |
| D322,046 | S * | 12/1991 | Woods | | D11/152 |
| D325,181 | S * | 4/1992 | Lee | | D11/152 |
| D380,647 | S * | 7/1997 | Durand | | D7/531 |
| D519,831 | S * | 5/2006 | de Cleir | | D9/428 |
| D573,060 | S * | 7/2008 | White | | D11/152 |
| D693,730 | S | 11/2013 | Zak et al. | | |
| D709,796 | S | 7/2014 | Zak et al. | | |
| D830,890 | S | 10/2018 | Itzhak-Sigron et al. | | |
| D852,089 | S * | 6/2019 | Aoyama | | D11/152 |
| 2022/0146088 | A1 * | 5/2022 | Gong | | F21V 19/0015 |

FOREIGN PATENT DOCUMENTS

CN 307308910 * 5/2022

OTHER PUBLICATIONS

Magnolia website, Fluted Gray Clay Planter with Saucer, Earliest review date Mar. 25, 2022, [site visited Aug. 13, 2022], Available on the Internet URL <https://magnolia.com/shop/product/6560335003699/fluted-gray-clay-planter-with-saucer/?variant=39363149168691> (Year: 2022).*

* cited by examiner

Primary Examiner — S. Bryan Reinholdt, Jr.

(74) *Attorney, Agent, or Firm* — Rumit Ranjit Kanakia

(57) **CLAIM**

The ornamental design for a flowerpot, as shown and described.

DESCRIPTION

FIG. 1 is a first perspective view of a flowerpot showing my new design;

FIG. 2 is a second perspective view thereof;

FIG. 3 is a front view thereof;

FIG. 4 is a back view thereof;

FIG. 5 is a left side view thereof;

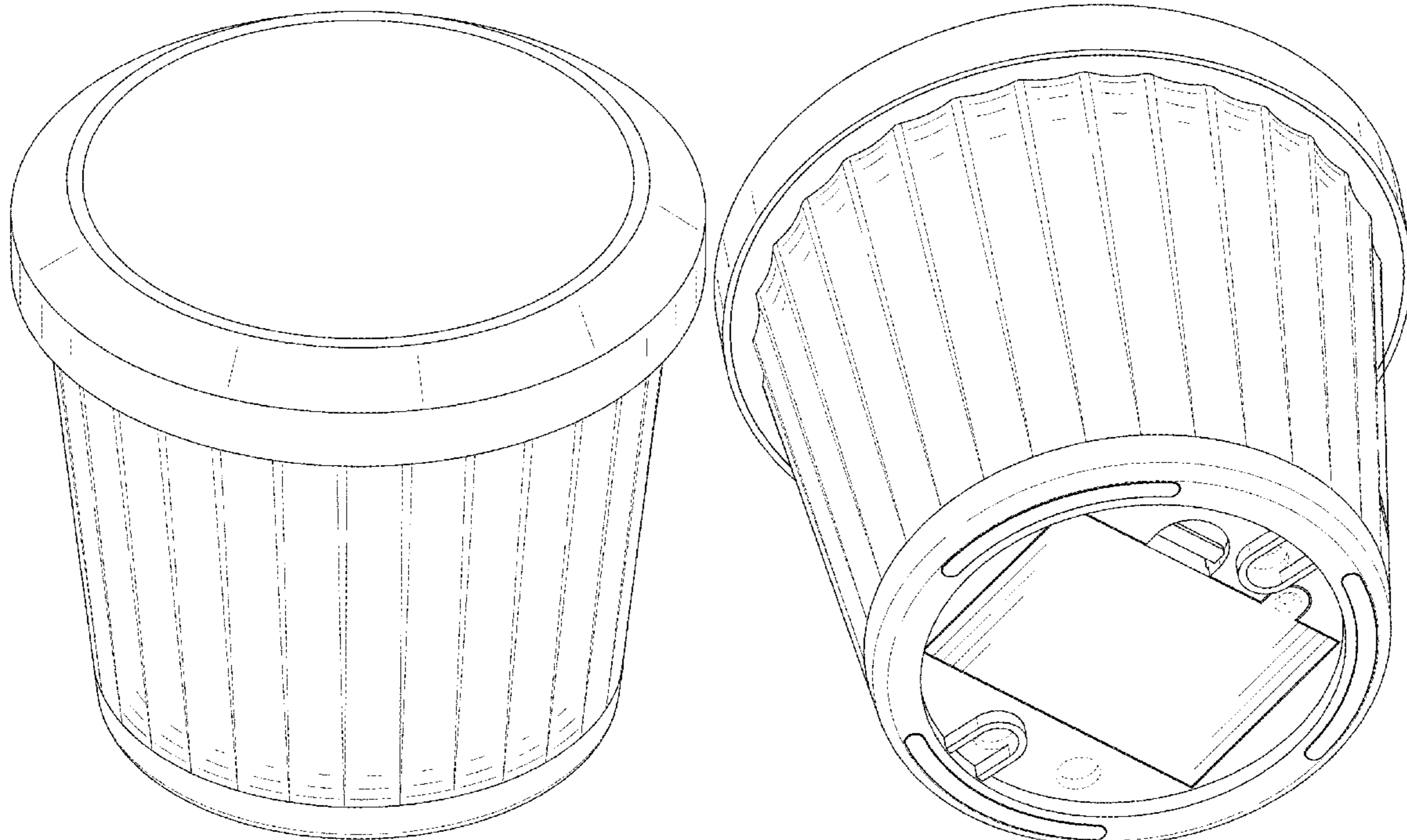
FIG. 6 is a right side view thereof;

FIG. 7 is a top view thereof; and,

FIG. 8 is a bottom view thereof.

The broken lines shown in the drawings depict portions of the flowerpot that form no part of the claimed design.

1 Claim, 8 Drawing Sheets



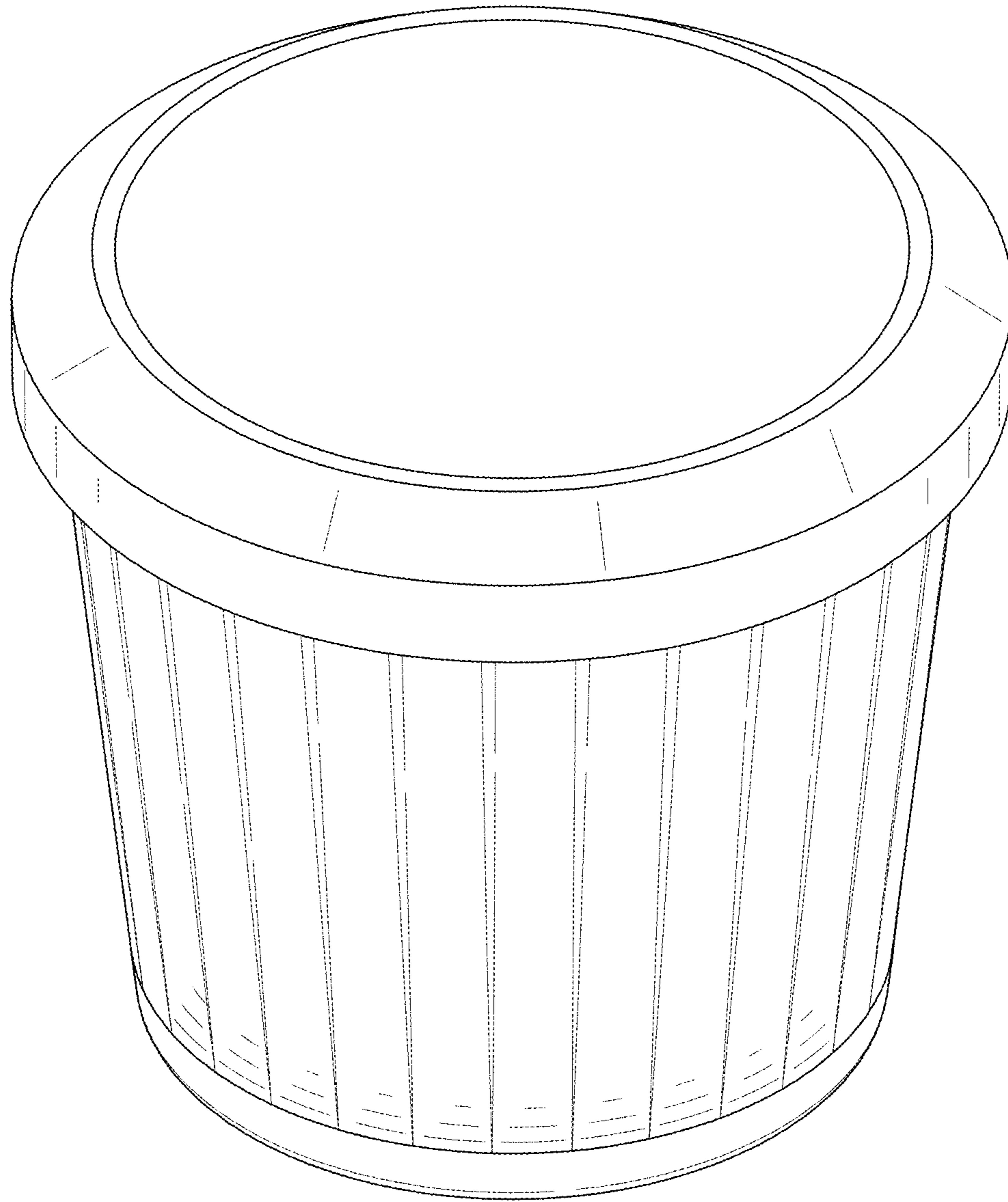


FIG. 1

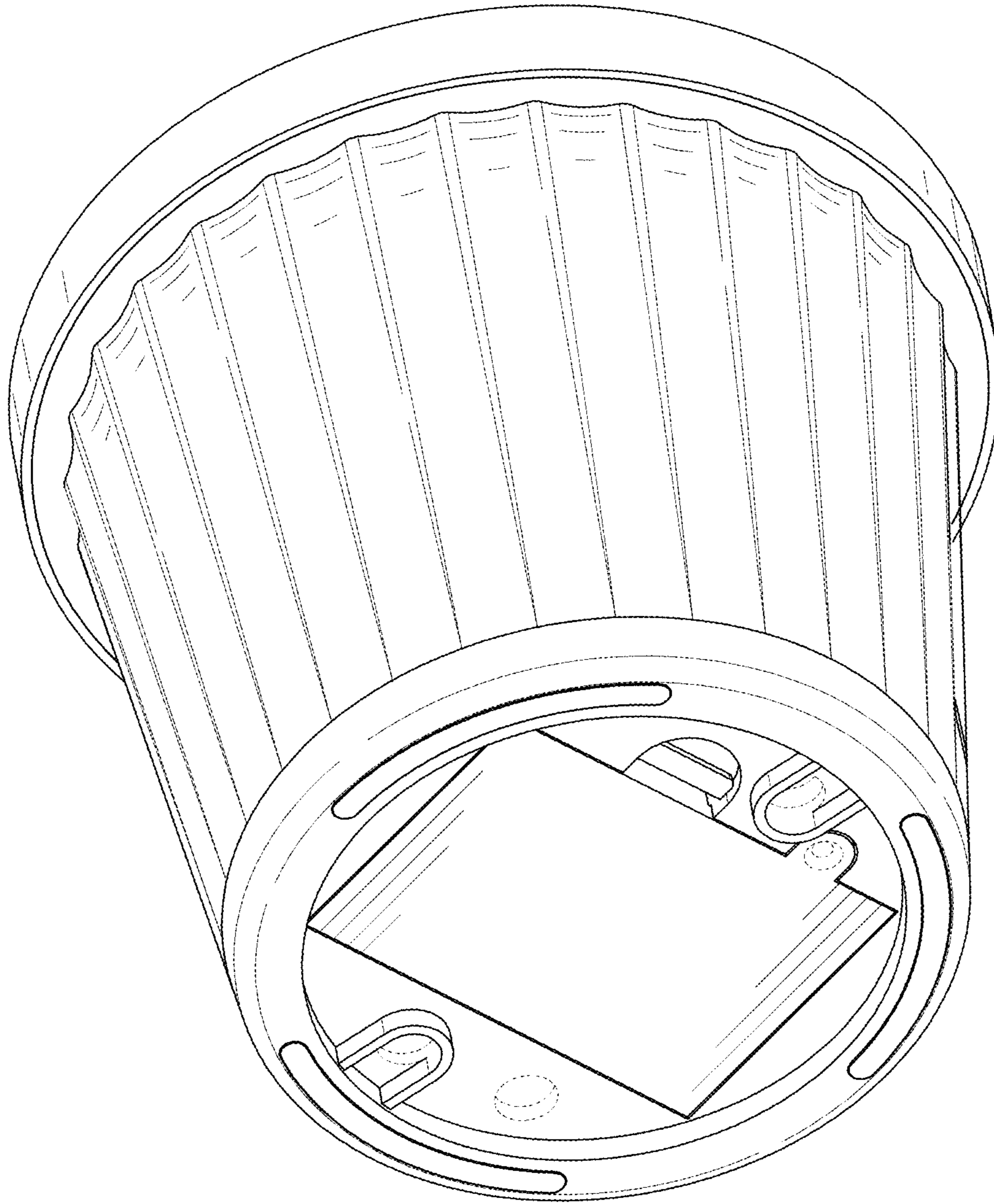


FIG. 2

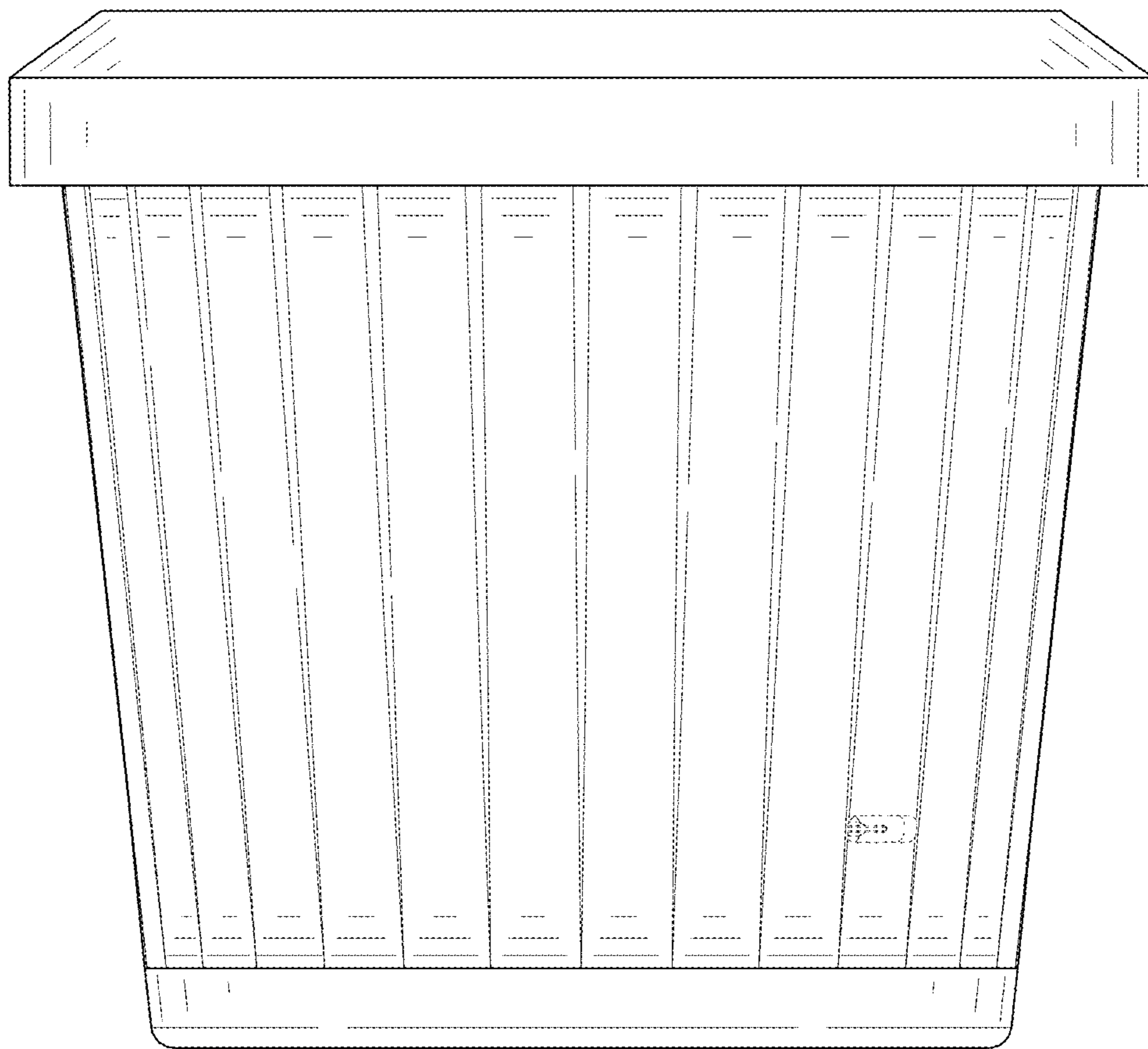


FIG. 3

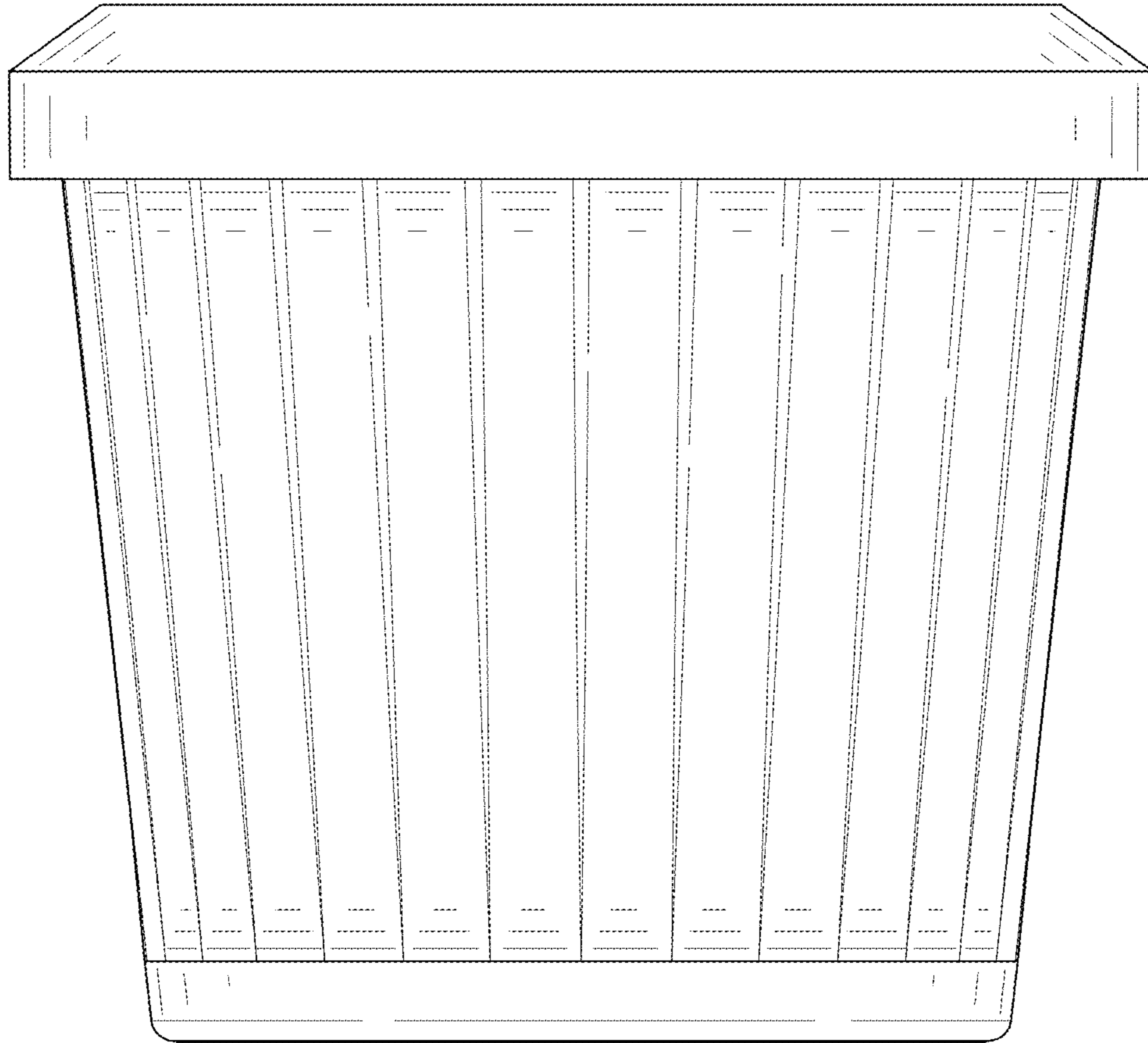


FIG. 4

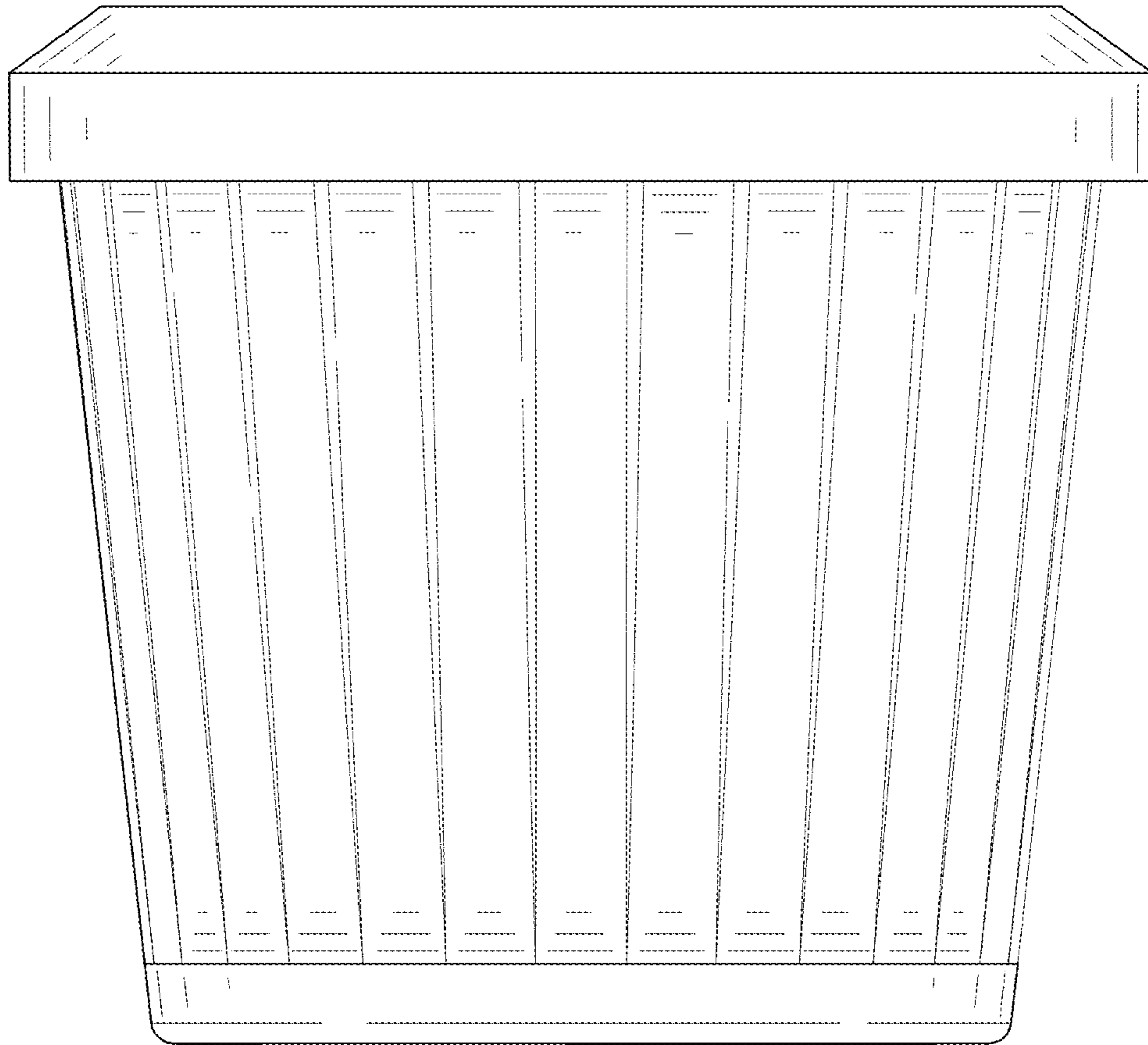


FIG. 5

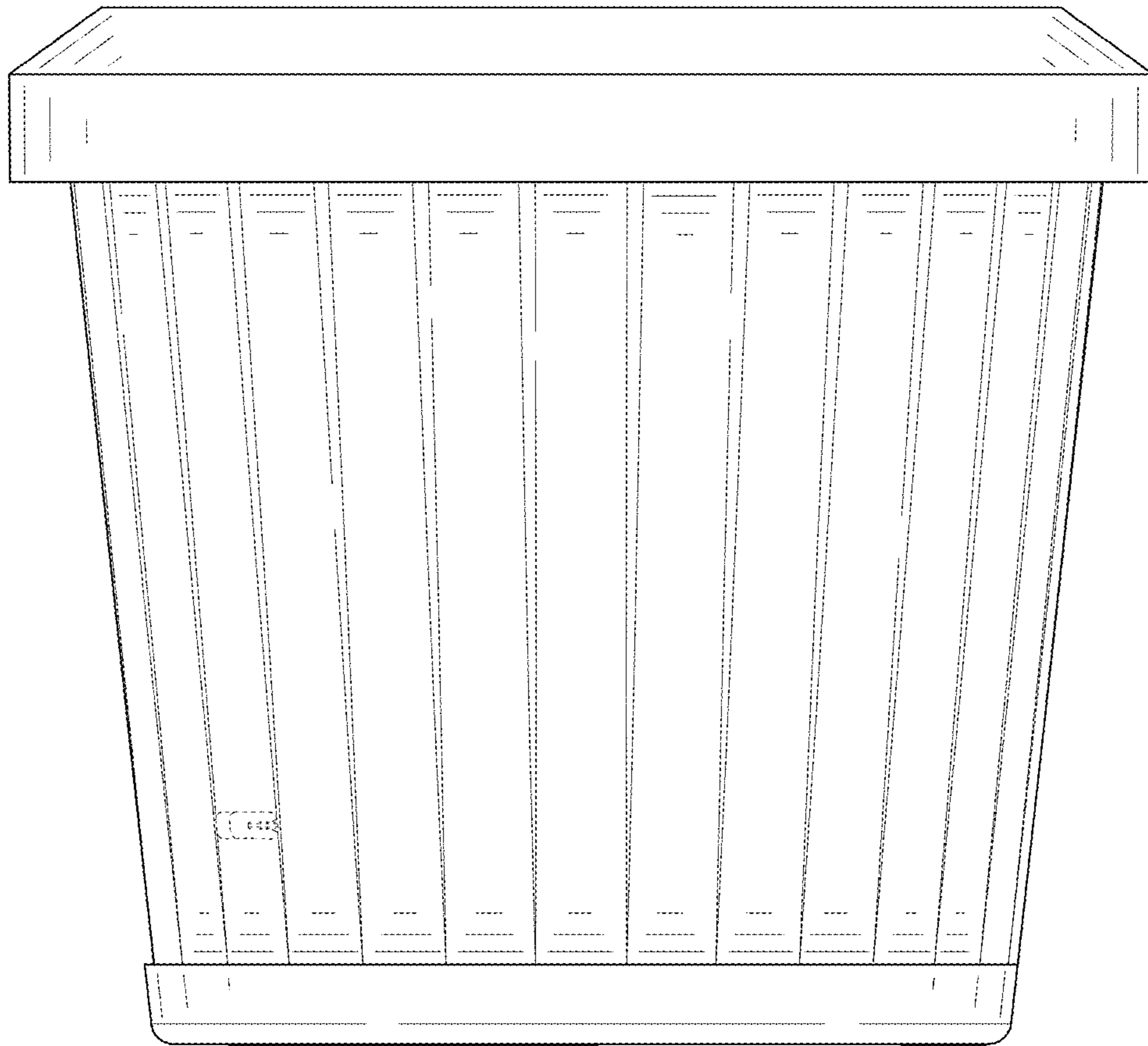


FIG. 6

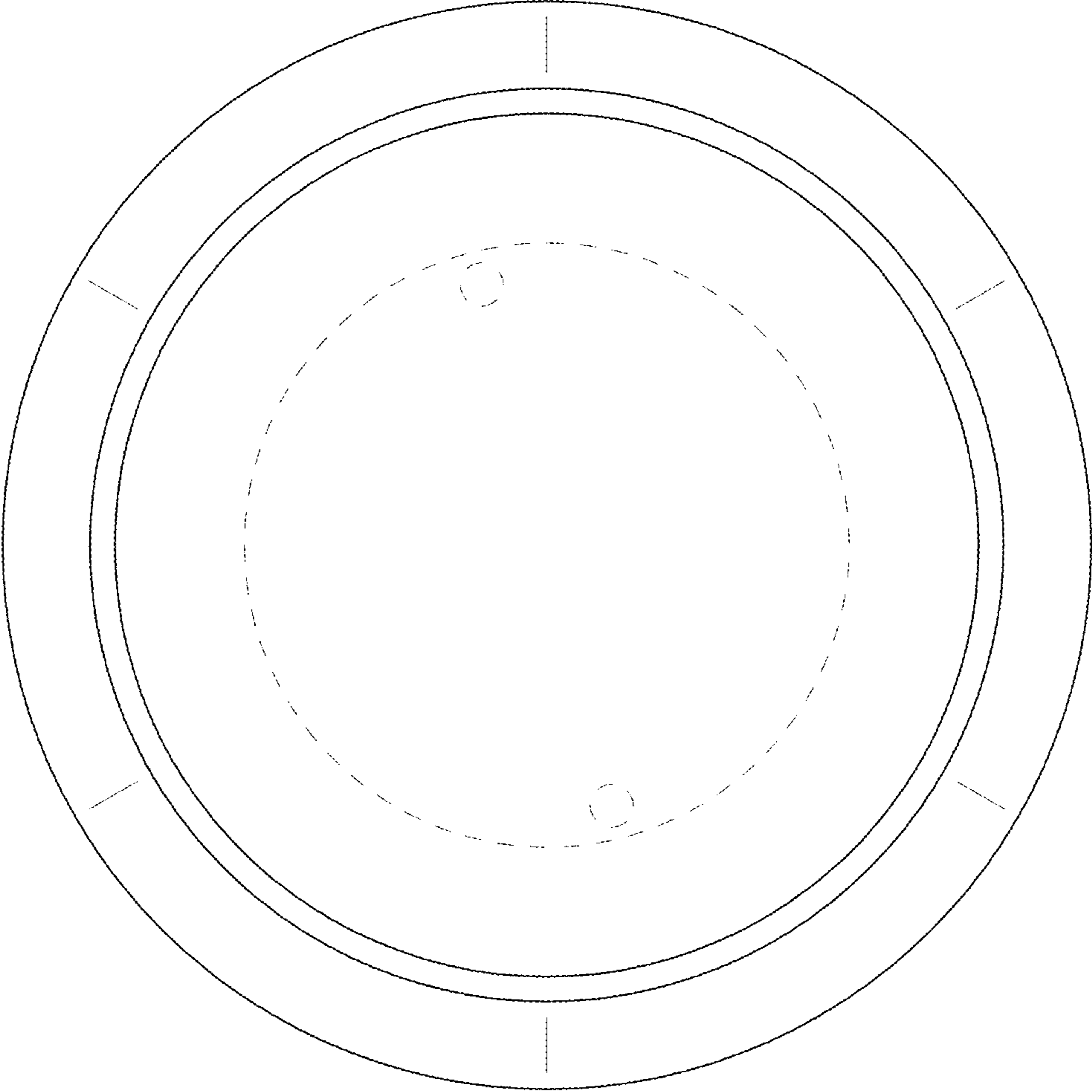


FIG. 7

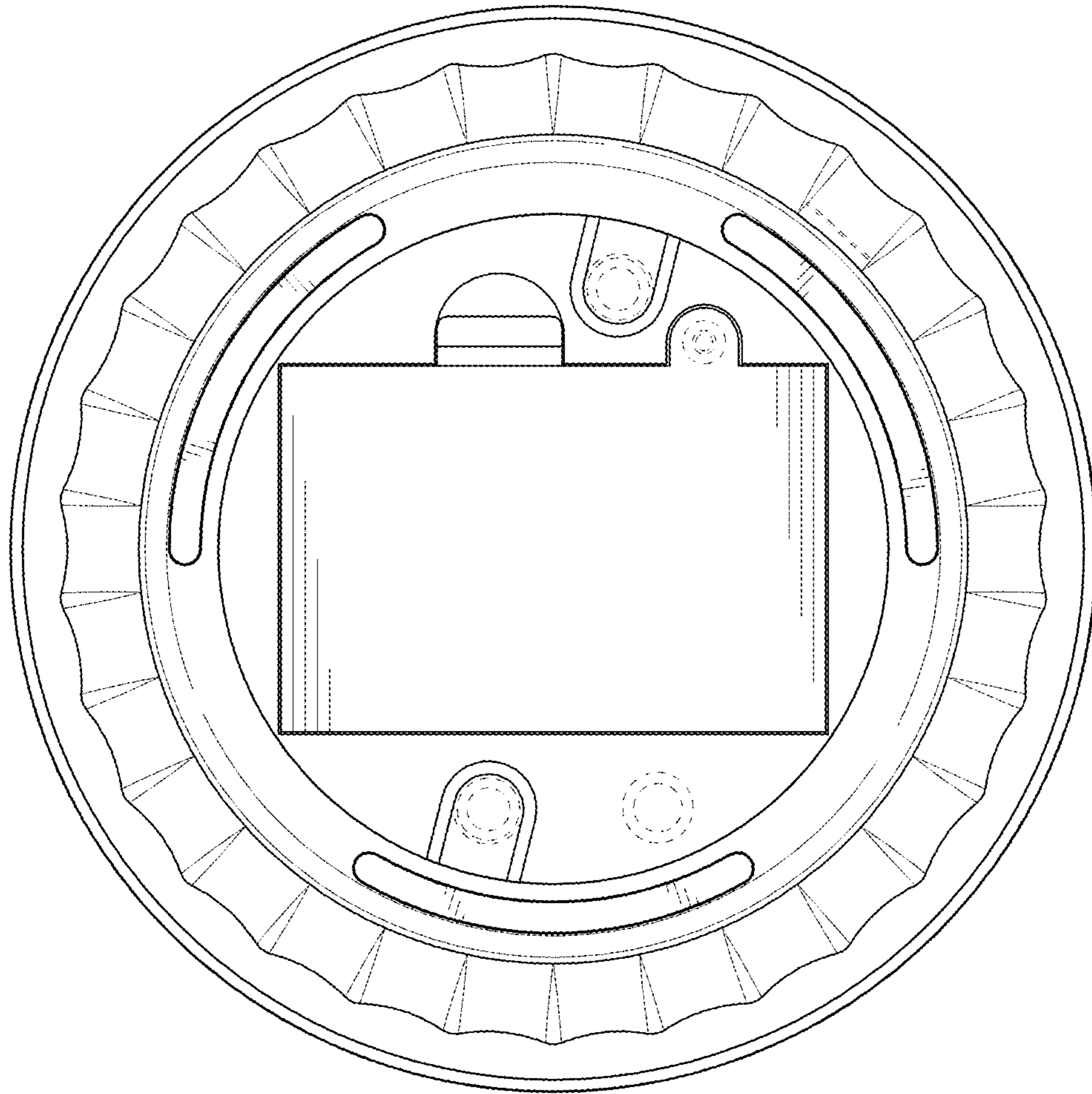


FIG. 8