



US00D978015S

(12) **United States Design Patent**
Dawson

(10) **Patent No.:** **US D978,015 S**

(45) **Date of Patent:** **** Feb. 14, 2023**

- (54) **FUNNEL TREE**
- (71) Applicant: **Ludwig Dawson**, Castro Valley, CA
(US)
- (72) Inventor: **Ludwig Dawson**, Castro Valley, CA
(US)
- (**) Term: **15 Years**
- (21) Appl. No.: **29/744,131**
- (22) Filed: **Jul. 27, 2020**
- (51) **LOC (14) Cl.** **11-04**
- (52) **U.S. Cl.**
USPC **D11/118**
- (58) **Field of Classification Search**
USPC D11/117, 118, 121, 130, 130.1, 131, 164;
D6/315, 317, 329, 672, 512, 552, 322,
D6/681.3; D9/455, 499
CPC A47G 33/00; A47G 33/04; A47G 33/06;
A47G 33/12; A47G 25/10; A47G 25/12;
A47G 25/14; A47G 25/74; A47G 25/00;
A47G 25/005; A47G 25/06; A47G 23/00;
A47G 23/02; A47G 23/0241
See application file for complete search history.

- 3,163,573 A * 12/1964 Brooks A47G 33/06
D11/118
 - 3,204,779 A * 9/1965 Warner A47F 5/13
211/205
 - D207,284 S * 3/1967 Trogun D6/680
 - D234,432 S * 3/1975 Boganowski D11/118
 - D239,070 S * 3/1976 Gray D3/25
 - D271,913 S * 12/1983 Nanfito D32/58
 - D288,074 S * 2/1987 Vogel D11/118
 - 4,748,058 A * 5/1988 Craig, Jr. A47G 33/06
D11/118
 - D325,887 S * 5/1992 Vodhanel, Jr. D11/118
 - D354,253 S * 1/1995 D'Abarno D11/118
- (Continued)

(56) **References Cited**

U.S. PATENT DOCUMENTS

- 1,137,900 A * 5/1915 Reichert A47F 5/02
211/163
- 1,276,300 A * 8/1918 Wideen A47F 5/06
211/172
- 1,729,395 A * 9/1929 Mandel A47G 25/0664
33/8
- 2,826,846 A * 3/1958 Warren A47G 33/06
211/1
- 2,969,456 A * 1/1961 Raymaley F22B 37/225
D11/118
- 3,135,389 A * 6/1964 Farley A47G 25/005
211/115

OTHER PUBLICATIONS

Christmas Tree Funnel, <https://www.homedepot.com/p/Christmas-Tree-Funnel-HT300-24/203367459>, Dec. 6, 2016. (Year: 2016).*

(Continued)

Primary Examiner — Elizabeth J Oswecki
(74) *Attorney, Agent, or Firm* — Matthew Kaser; Adam Warwick Bell; Bell & Associates

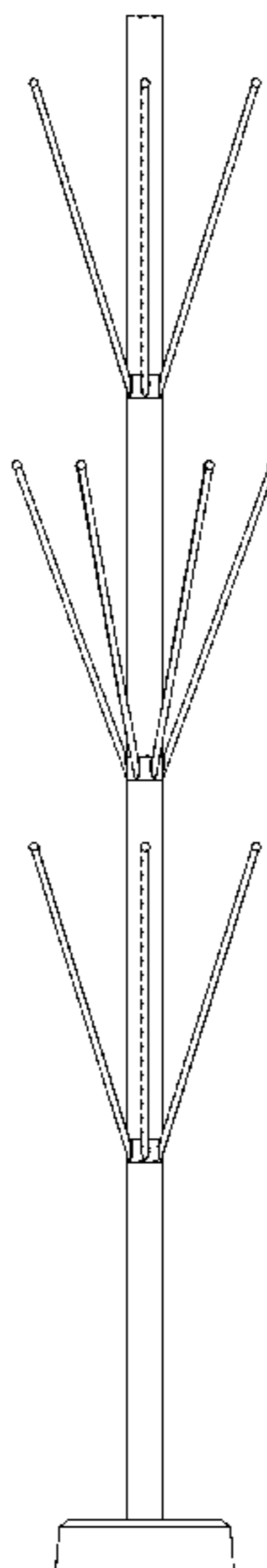
(57) **CLAIM**

The ornamental design for a funnel tree, as shown and described.

DESCRIPTION

FIG. 1 is a right side view of a funnel tree showing my new design;
FIG. 2 is a left side view thereof;
FIG. 3 is a top plan view thereof;
FIG. 4 is a bottom plan view thereof;
FIG. 5 is a perspective view thereof; and,
FIG. 6 is another perspective view thereof, shown in a used condition with funnels shown in broken lines.
The broken lines in the drawings depict portions of the funnel tree that form no part of the claimed design.

1 Claim, 3 Drawing Sheets



(56)

References Cited

U.S. PATENT DOCUMENTS

| | | | | | |
|------------|------|---------|--------------|-------|-------------|
| D383,334 | S * | 9/1997 | Barden | | D6/681.3 |
| D389,338 | S * | 1/1998 | Vairo | | D6/680.3 |
| D465,946 | S * | 11/2002 | Boyd, Jr. | | D6/681.3 |
| D496,191 | S * | 9/2004 | Johnson | | D7/707 |
| 6,854,609 | B1 * | 2/2005 | Hettinger | | A47F 7/0071 |
| | | | | | 211/85.4 |
| 7,043,875 | B1 * | 5/2006 | Neuner | | A01G 5/04 |
| | | | | | 47/41.15 |
| D566,990 | S * | 4/2008 | Cook | | D6/681.3 |
| D627,678 | S * | 11/2010 | Weible | | D11/118 |
| D639,087 | S * | 6/2011 | Wisniewski | | D6/681.3 |
| D641,570 | S * | 7/2011 | Zieman | | D3/25 |
| D796,377 | S * | 9/2017 | Kos | | D11/118 |
| D828,219 | S * | 9/2018 | Damiano, Jr. | | D11/118 |
| D832,133 | S * | 10/2018 | Bach | | D11/118 |
| 10,219,605 | B1 * | 3/2019 | Love | | A47F 5/04 |
| D868,513 | S * | 12/2019 | Chiang | | D6/681.1 |
| D894,784 | S * | 9/2020 | Huang | | D11/118 |
| D896,689 | S * | 9/2020 | Huang | | D26/101 |
| D950,989 | S * | 5/2022 | Hunt | | D28/93 |
| D951,807 | S * | 5/2022 | Wang | | D26/101 |

OTHER PUBLICATIONS

5 Bottle Drying Tree, https://www.northernbrewer.com/products/45-bottle-drying-tree?variant=41267370950837&gclid=EAIaIQobChMIInLD-jK6p-gIV5x6tBh0ERwVUEAQYBSABEgJ9CvD_BwE, Dec. 15, 2021. (Year: 2021).*

* cited by examiner

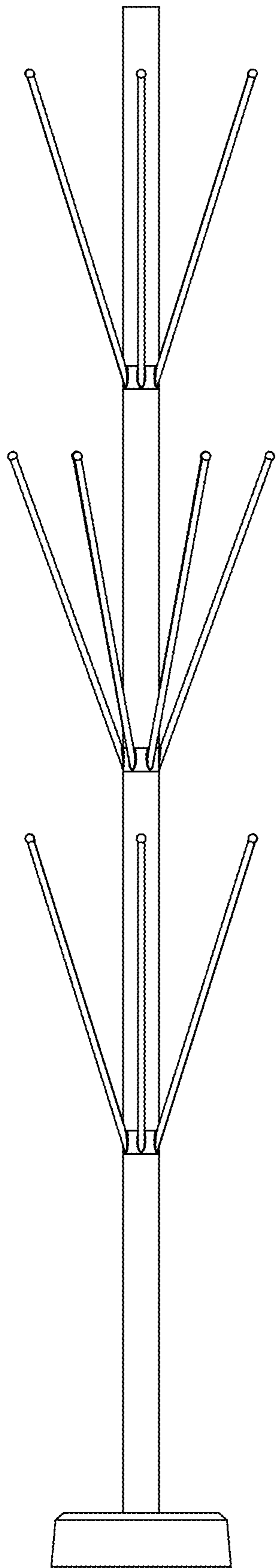


FIG.1

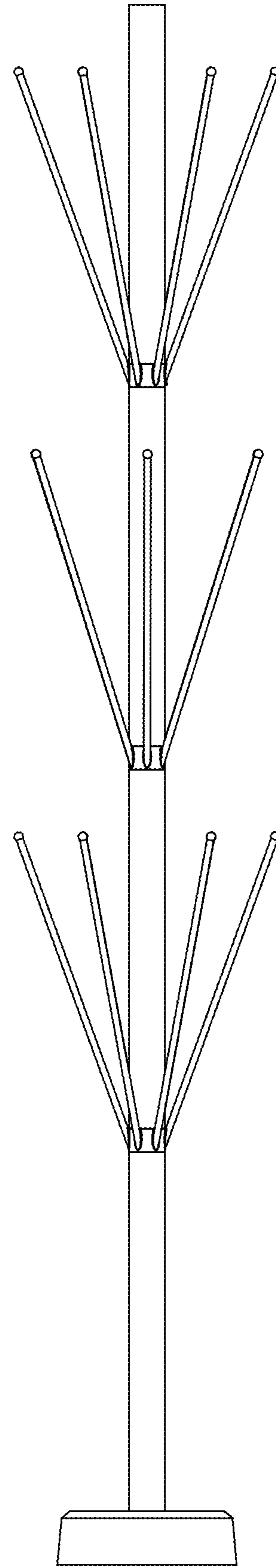


FIG.2

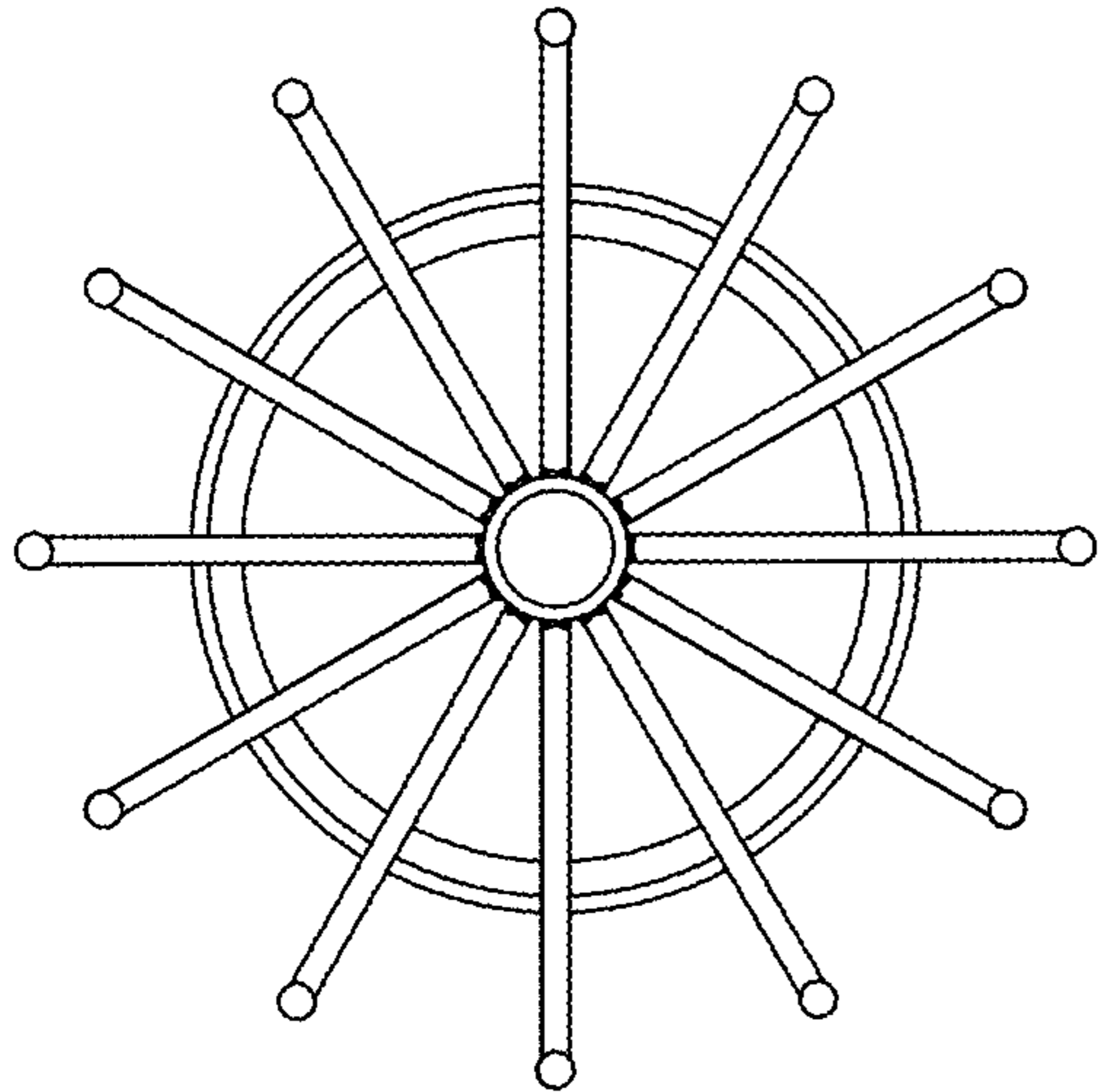


FIG. 3

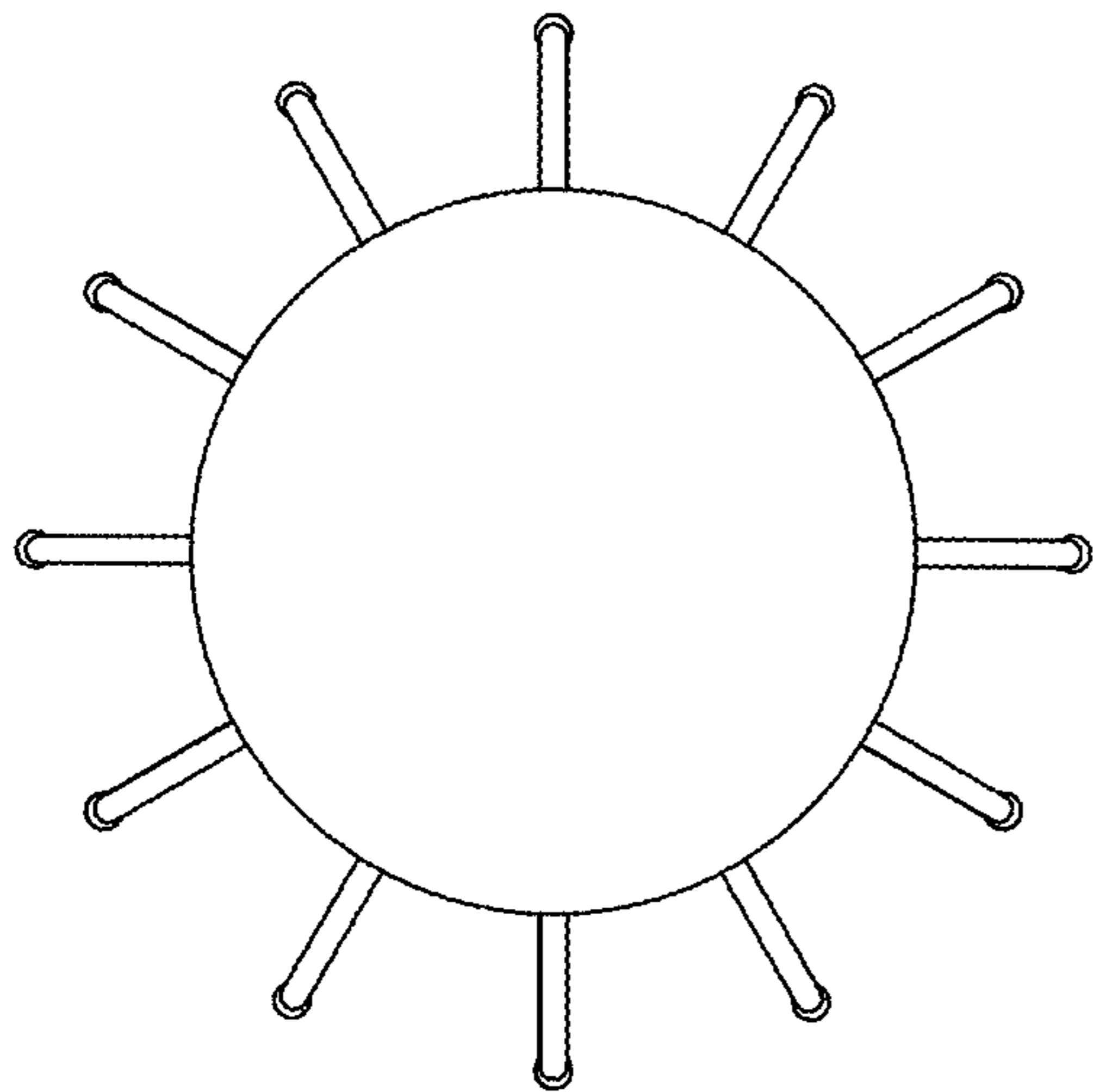


FIG. 4

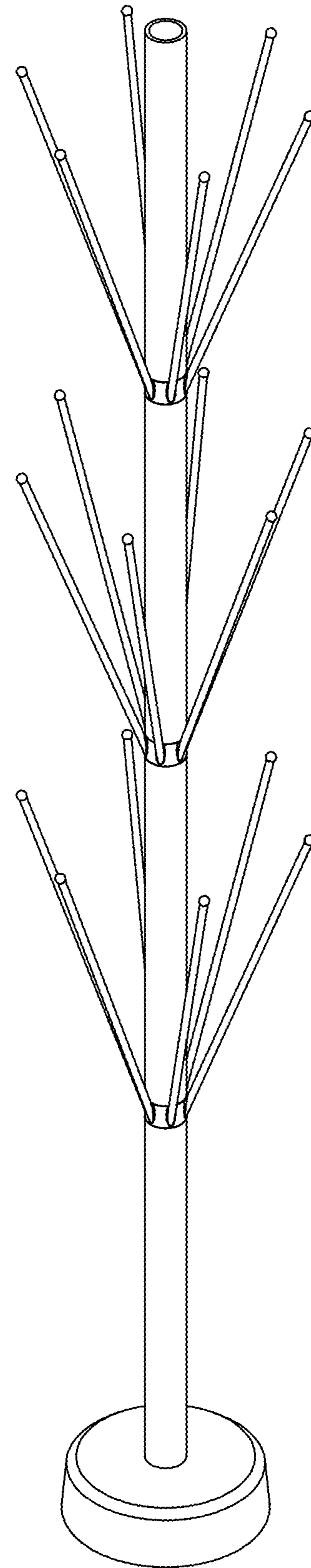


FIG. 5

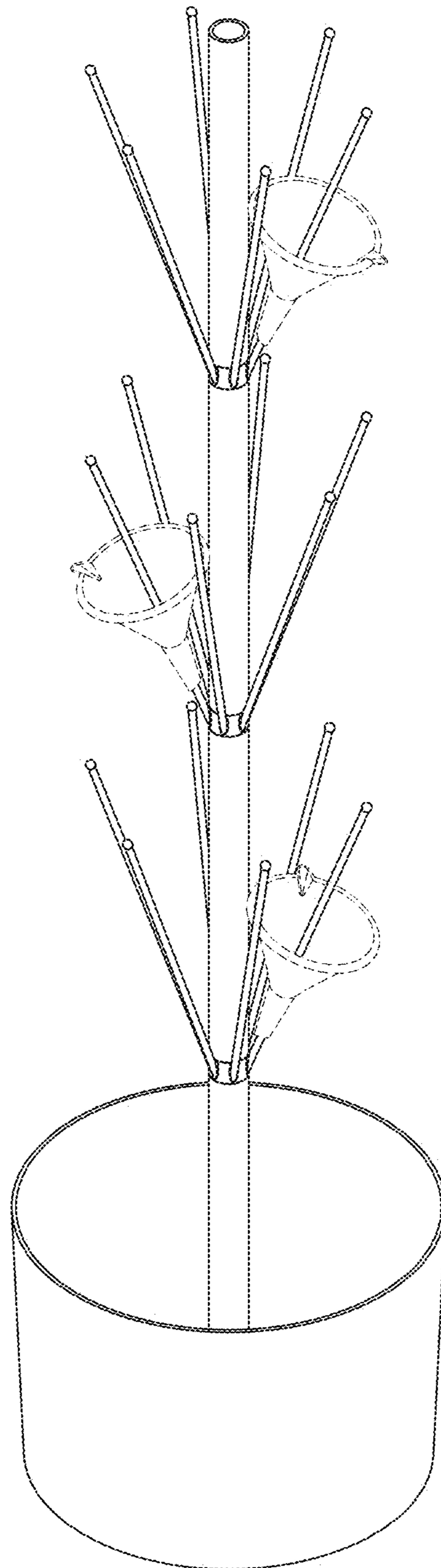


FIG.6