



US00D978005S

(12) **United States Design Patent**  
**Liu**

(10) **Patent No.:** **US D978,005 S**

(45) **Date of Patent:** **\*\* Feb. 14, 2023**

(54) **WATCH CASE**

(71) Applicant: **Yulan Liu**, Xinyu (CN)

(72) Inventor: **Yulan Liu**, Xinyu (CN)

(\*\*) Term: **15 Years**

(21) Appl. No.: **29/847,990**

(22) Filed: **Jul. 29, 2022**

(30) **Foreign Application Priority Data**

Jun. 8, 2022 (CN) ..... 202230348431.2

(51) **LOC (14) Cl.** ..... **10-07**

(52) **U.S. Cl.**  
USPC ..... **D10/132**

(58) **Field of Classification Search**  
USPC ..... D10/30-39, 122, 128, 129-132; D11/3;  
D14/344, 440  
CPC ..... A44C 5/00; A44C 5/0007; A44C 5/147;  
A44C 17/02; A45C 2011/001-003; A45C  
15/08; A45C 11/10; A45C 11/12; G04B  
37/005; G04B 37/0058; G04B 37/084;  
G04B 37/087; G04G 17/08

See application file for complete search history.

(56) **References Cited**

U.S. PATENT DOCUMENTS

D767,573 S \* 9/2016 Kim ..... D14/440  
D888,710 S \* 6/2020 Yun ..... D14/344  
D897,867 S \* 10/2020 Wright ..... D10/32  
D903,508 S \* 12/2020 Zhang ..... D10/30  
D912,562 S \* 3/2021 Zhou ..... D14/440  
D920,147 S \* 5/2021 Liu ..... D14/440  
D920,810 S 6/2021 Engelbrecht  
D935,330 S 11/2021 Kieser  
D935,331 S 11/2021 Calamai  
D949,038 S \* 4/2022 Hu ..... D10/132  
D952,496 S \* 5/2022 Yu ..... D10/30  
D955,912 S \* 6/2022 Ma ..... D10/32

D965,444 S \* 10/2022 Zheng ..... D10/32  
D970,377 S \* 11/2022 Liu ..... D10/132  
D971,030 S \* 11/2022 Qu ..... D10/32  
2022/0163925 A1 \* 5/2022 You ..... G04B 37/005

OTHER PUBLICATIONS

Tensea 2 in 1 Waterproof Apple Watch Screen Protector | amazon.com; date 1st avail Sep. 7, 2022 [online]. © 1996-2022, Amazon.com, Inc [retrieved Dec. 14, 2022] from Internet: <https://www.amazon.com/Tensea-Waterproof-Protector-Accessories-Protective/dp/B0BBG3FL1S/ref=psdc\_10048700011\_t2\_B0BHHTBFW9?th=1> (Year: 2022).\*

Goton 2 in 1 Waterproof Rugged Case for Apple Watch | amazon.com; date first avail. Sep. 15, 2022 [online]. © 1996-2022, Amazon.com, Inc [retrieved Dec. 14, 2022] from Internet: <https://www.amazon.com/Goton-Waterproof-Protector-Protective-Accessories/dp/B0BC7CPZPQ?ref=ast\_sto\_dp&th=1> (Year: 2022).\*

\* cited by examiner

*Primary Examiner* — Katherine Glennon

(74) *Attorney, Agent, or Firm* — Rumit Ranjit Kanakia

(57) **CLAIM**

The ornamental design for a watch case, as shown and described.

**DESCRIPTION**

FIG. 1 is a first perspective view of a watch case showing my new design;

FIG. 2 is a second perspective view thereof;

FIG. 3 is a front view thereof;

FIG. 4 is a back view thereof;

FIG. 5 is a left side view thereof;

FIG. 6 is a right side view thereof;

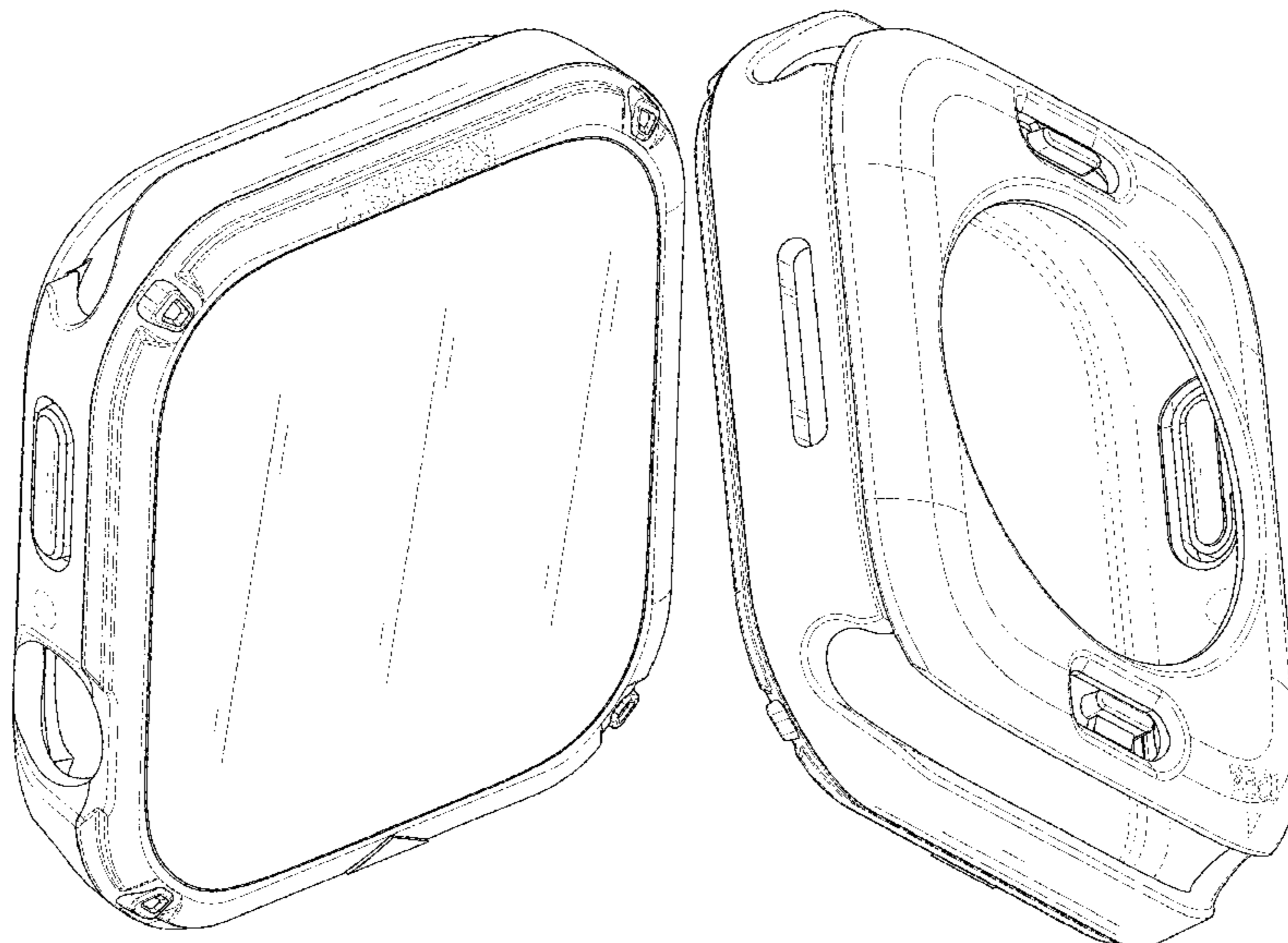
FIG. 7 is a top view thereof;

FIG. 8 is a bottom view thereof; and,

FIG. 9 is an exploded view of the watch case thereof.

The broken lines shown in the drawings depict portions of the watch case that form no part of the claimed design.

**1 Claim, 9 Drawing Sheets**



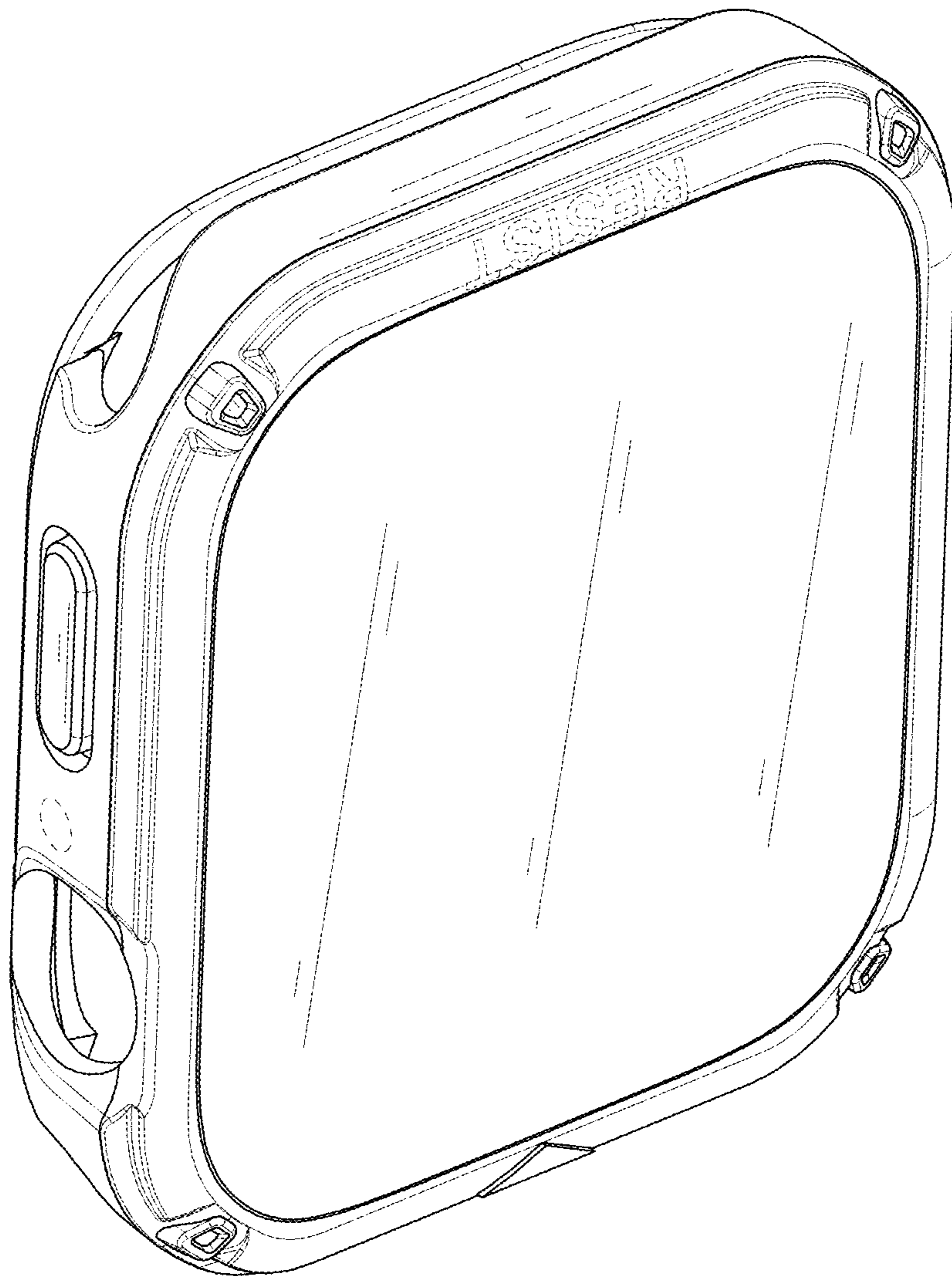


FIG. 1

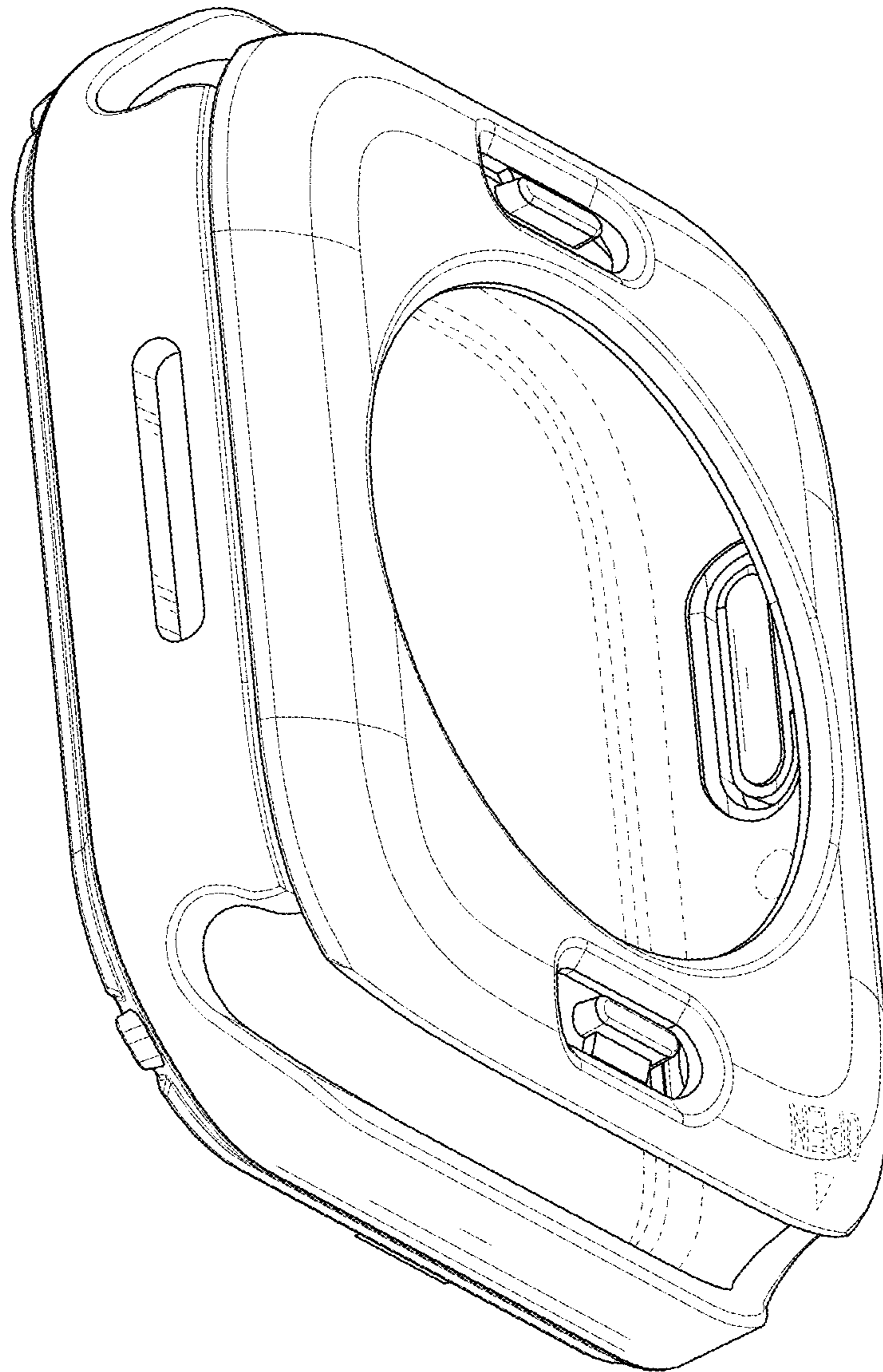


FIG. 2

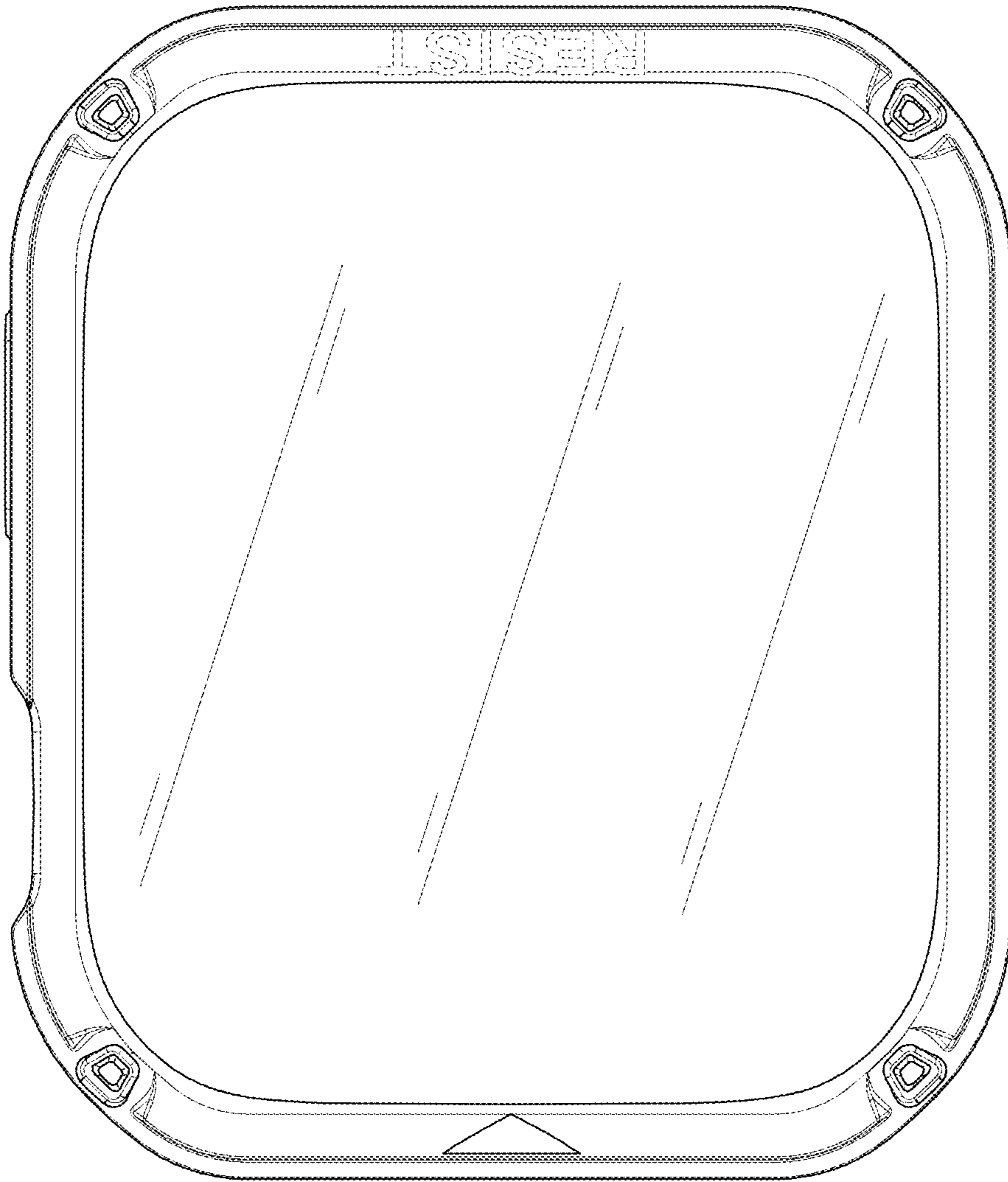


FIG. 3

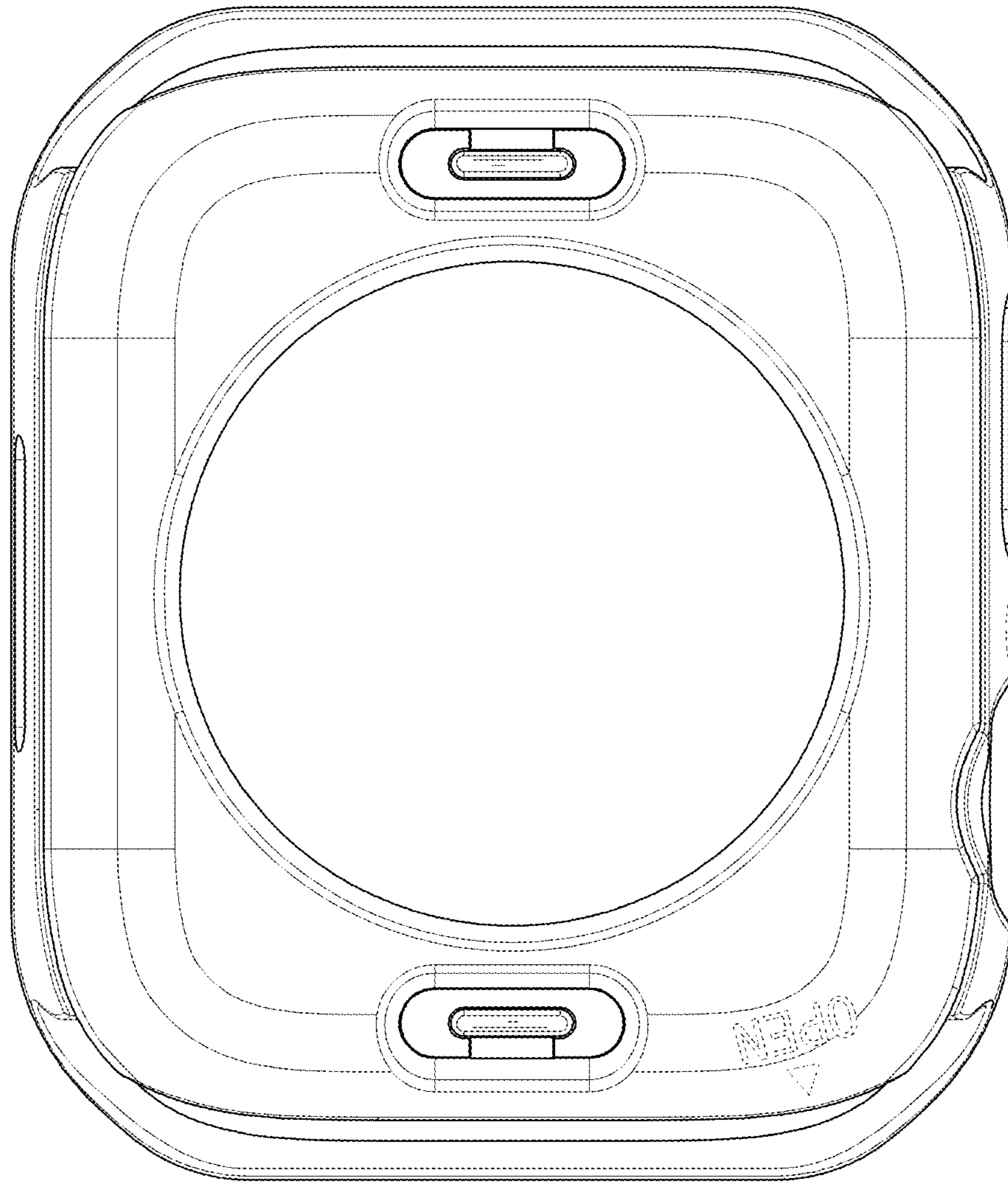


FIG. 4

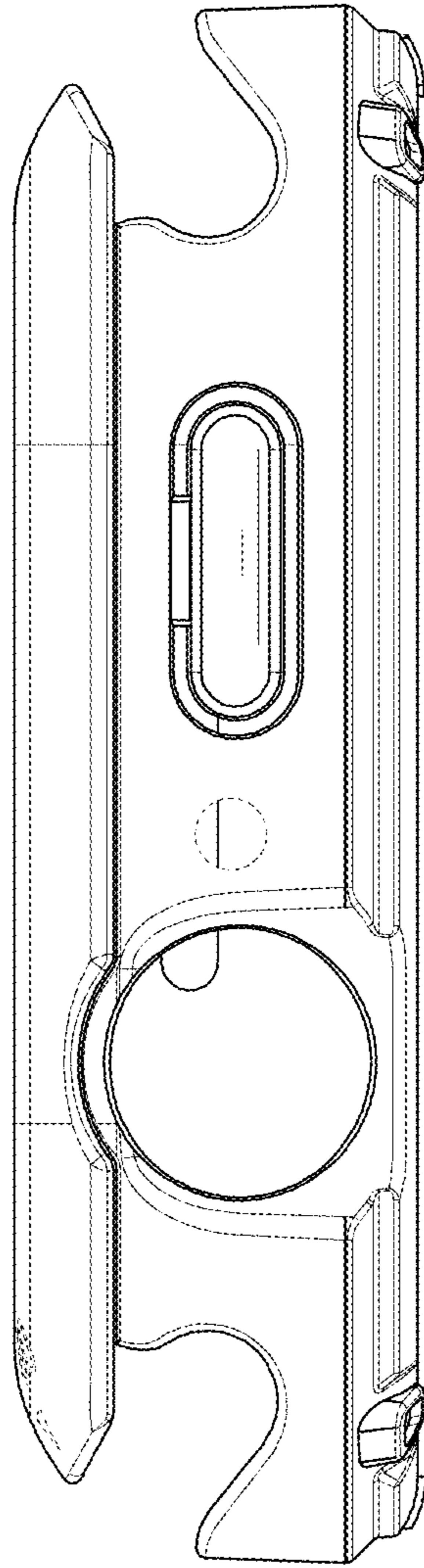


FIG. 5

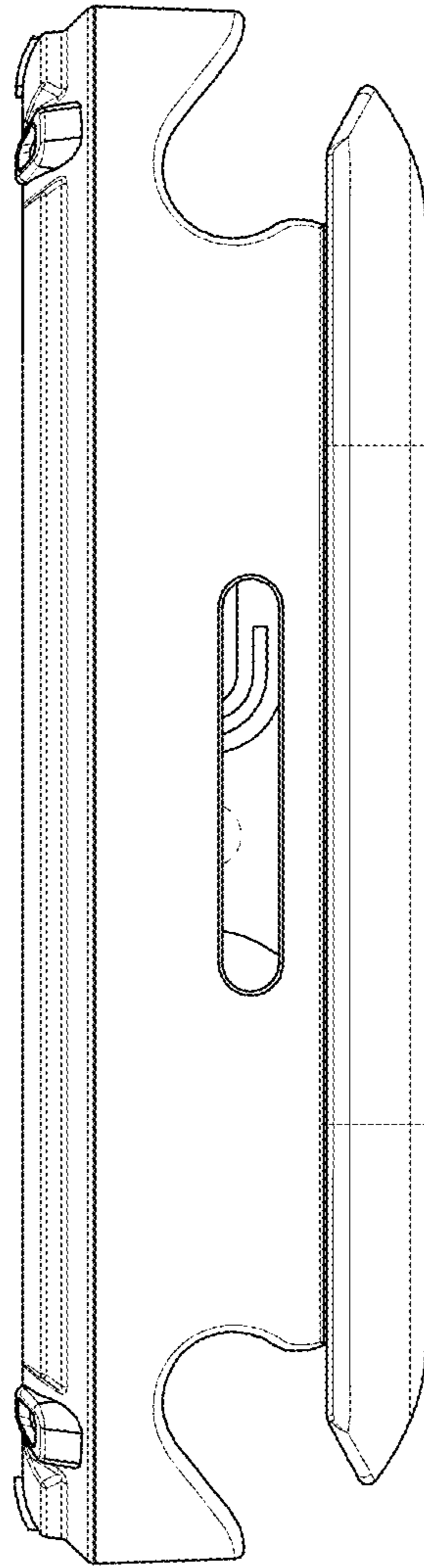


FIG. 6

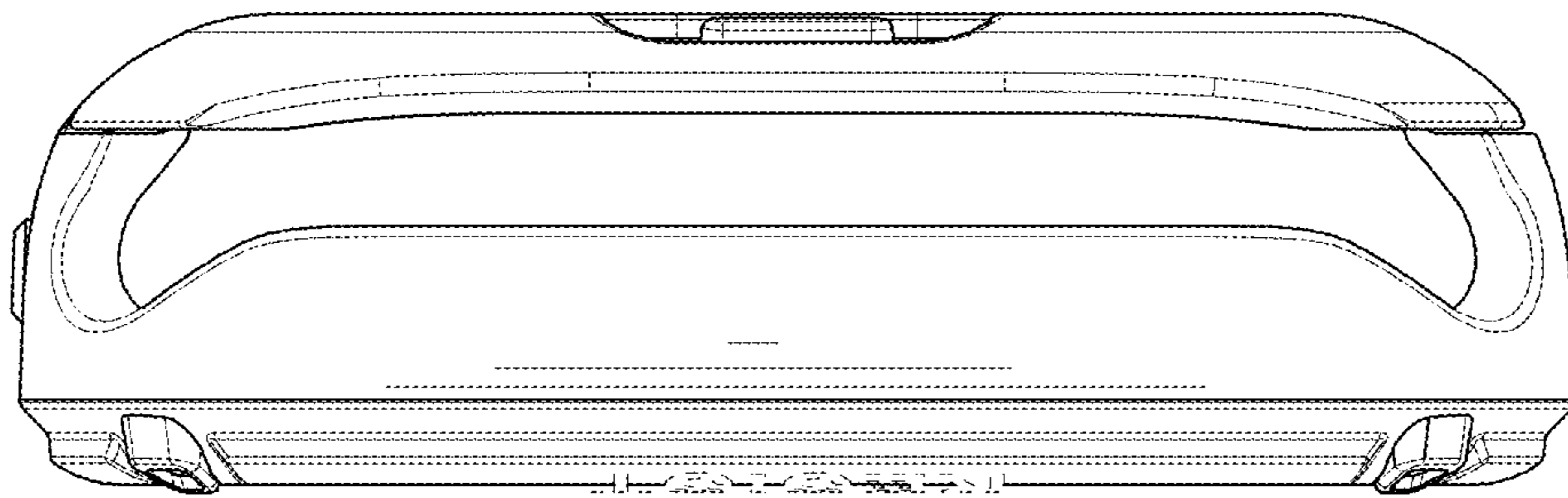


FIG. 7



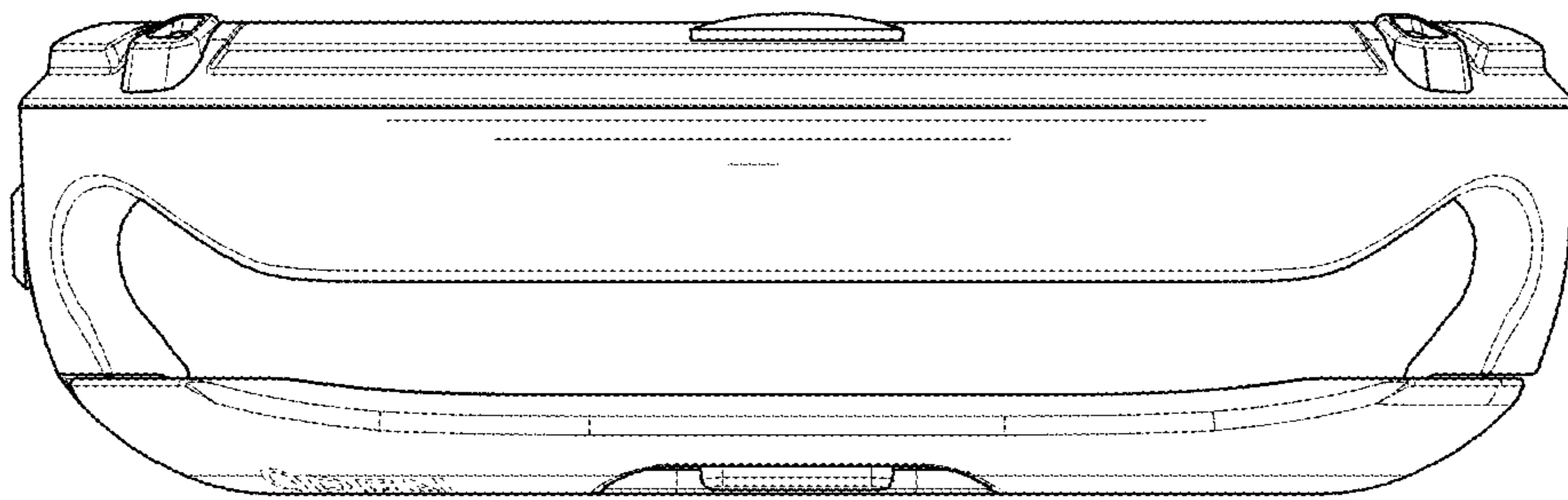


FIG. 8

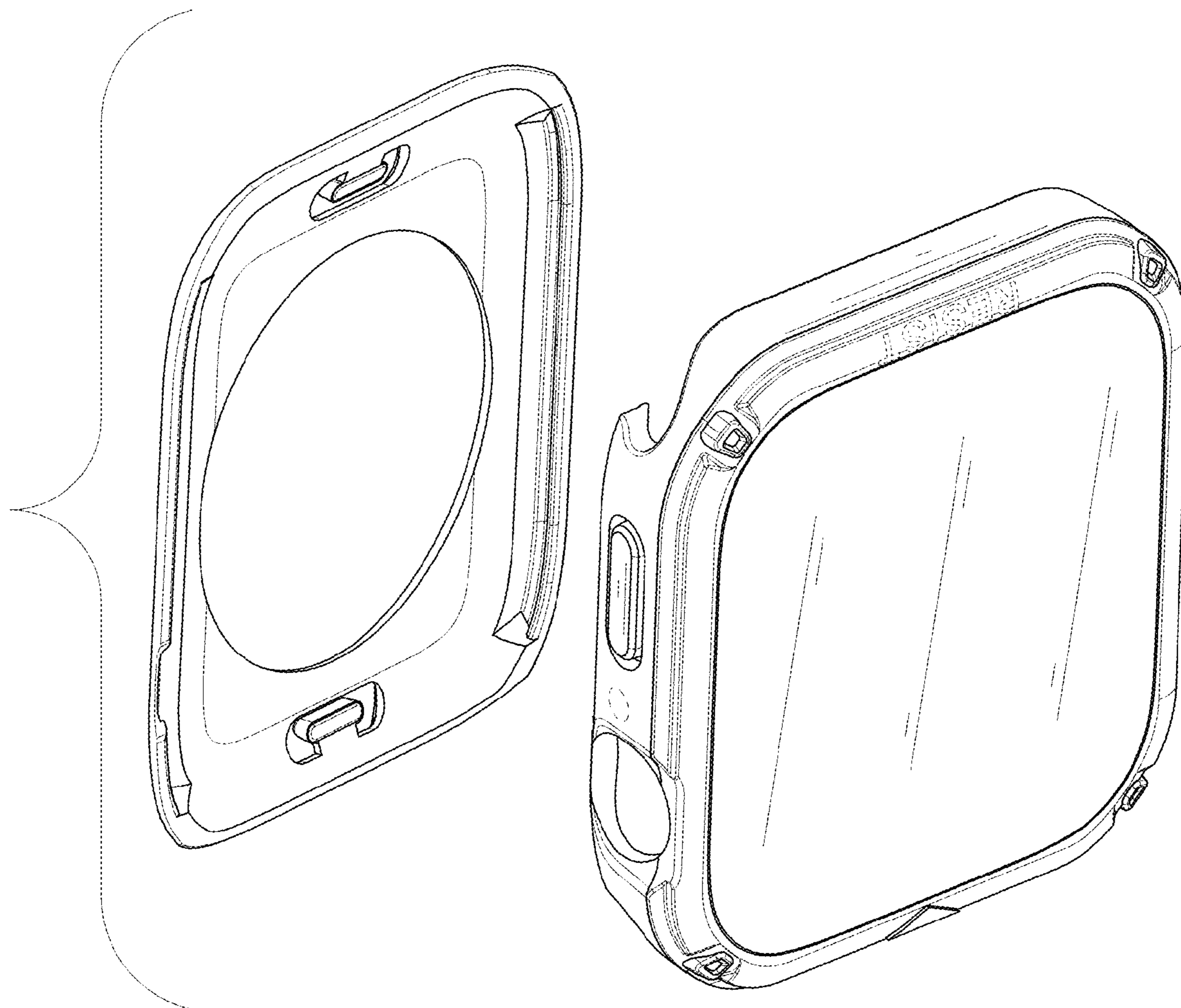


FIG. 9