



US00D977998S

(12) **United States Design Patent**
Mori et al.

(10) **Patent No.:** **US D977,998 S**

(45) **Date of Patent:** **** Feb. 14, 2023**

(54) **INFRARED SENSOR**

(71) Applicant: **Mitsubishi Electric Corporation,**
Tokyo (JP)

(72) Inventors: **Hirofumi Mori,** Tokyo (JP); **Yuki Motomura,** Tokyo (JP)

(73) Assignee: **Mitsubishi Electric Corporation,**
Tokyo (JP)

(**) Term: **15 Years**

(21) Appl. No.: **29/764,103**

(22) Filed: **Dec. 28, 2020**

(30) **Foreign Application Priority Data**

Jun. 30, 2020 (JP) 2020-013192 D

(51) **LOC (14) Cl.** **10-04**

(52) **U.S. Cl.**
USPC **D10/60; D10/103; D13/173**

(58) **Field of Classification Search**
USPC D10/46, 50, 60, 103; D13/173
CPC G01J 5/0806; G01J 5/0893; G05B 15/02;
G05B 19/418; G05B 2219/2642; G05B
2219/2614; G08B 13/19; H05B 47/13;
Y02B 20/40

See application file for complete search history.

(56) **References Cited**

U.S. PATENT DOCUMENTS

D241,627 S * 9/1976 Allison D10/15
D496,337 S * 9/2004 Kaizu D13/173

D563,328 S * 3/2008 Sano D13/173
D563,329 S * 3/2008 Sano D13/173
2006/0237651 A1* 10/2006 Eskildsen G08B 13/19
250/342

* cited by examiner

Primary Examiner — Antoine Duval Davis

(74) *Attorney, Agent, or Firm* — Studebaker & Brackett
PC

(57) **CLAIM**

The ornamental design for an infrared sensor, as shown and described.

DESCRIPTION

FIG. 1 is a perspective view 1 of an infrared sensor, showing our new design;

FIG. 2 is a perspective view 2 thereof;

FIG. 3 is a front view thereof;

FIG. 4 is a rear view thereof;

FIG. 5 is a top view thereof;

FIG. 6 is a bottom view thereof;

FIG. 7 is a right side view thereof;

FIG. 8 is a left side view thereof; and,

FIG. 9 is an enlarged cross-sectional view taken along line 9-9 in FIG. 3 thereof.

The parts shown in the broken lines do not form part of the claimed design.

1 Claim, 9 Drawing Sheets

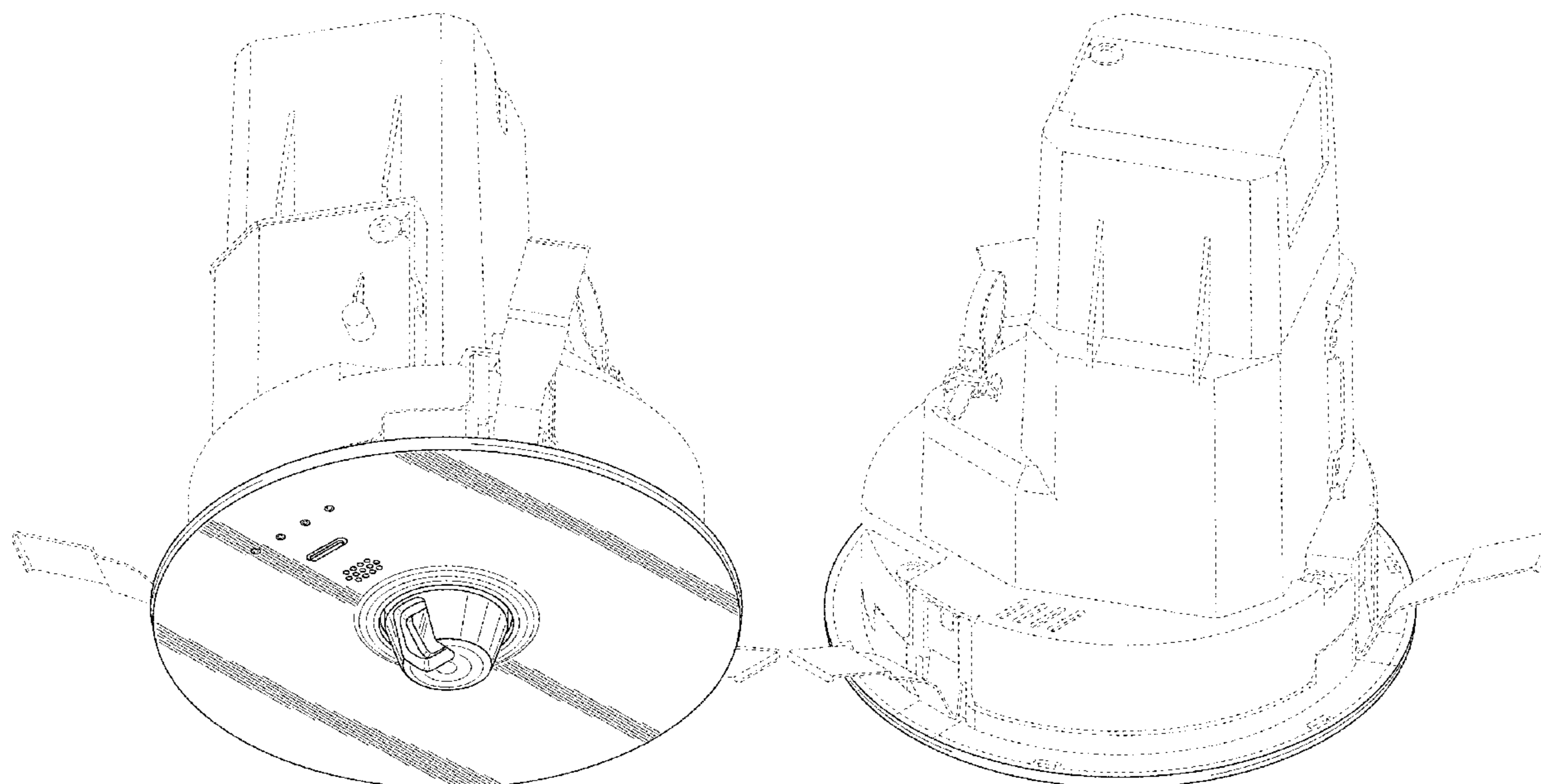


FIG. 1

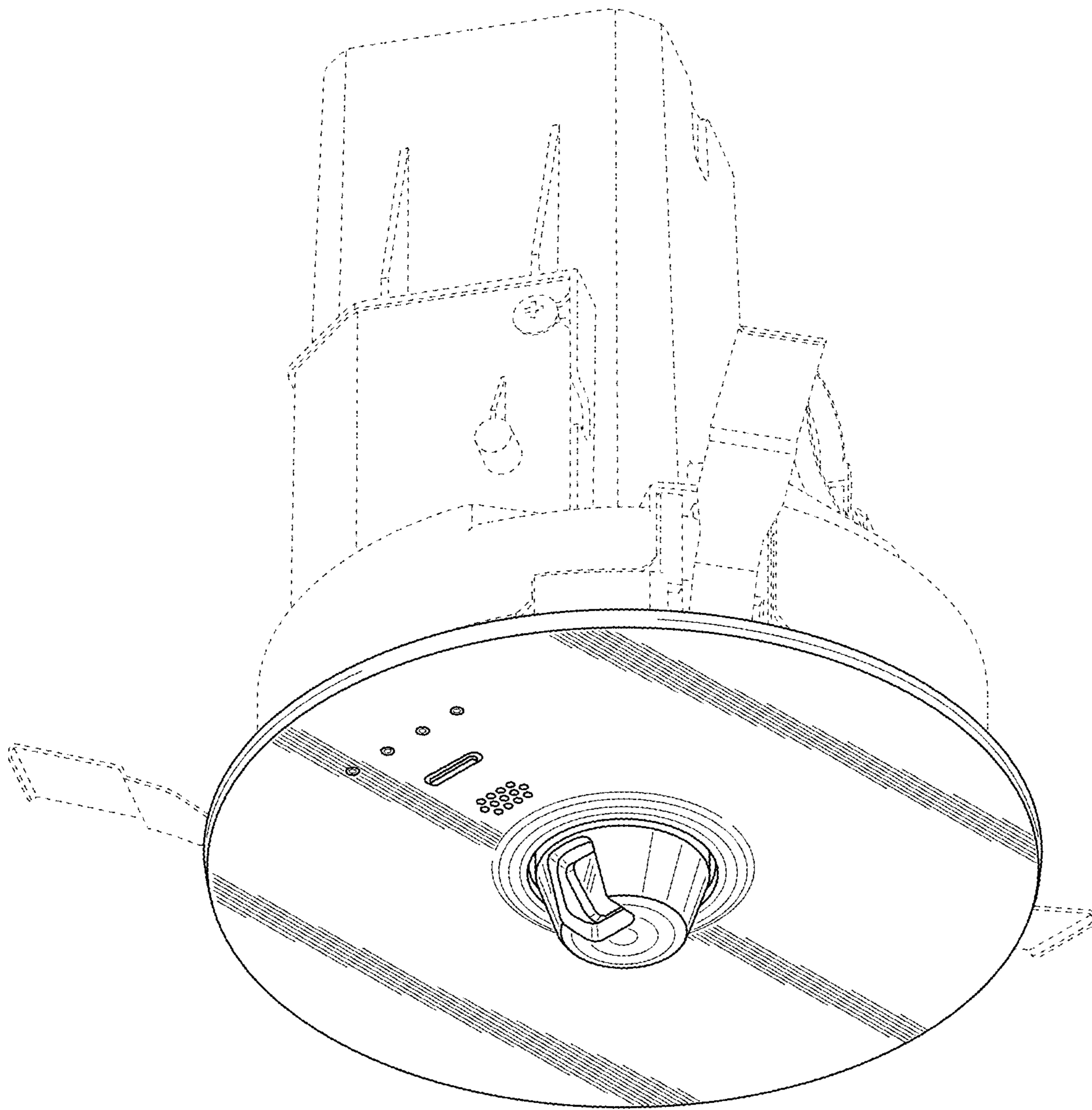


FIG. 2

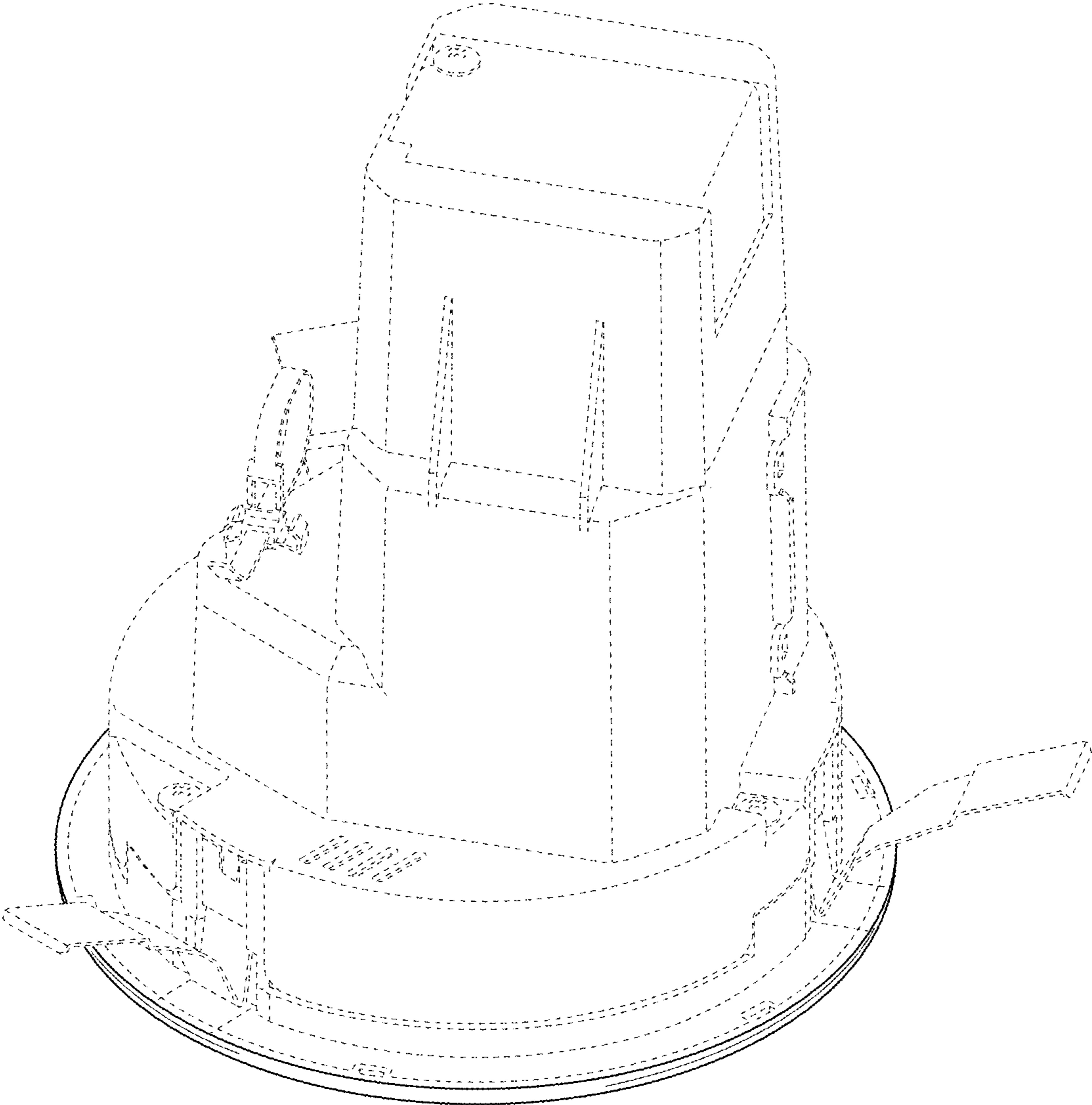


FIG. 3

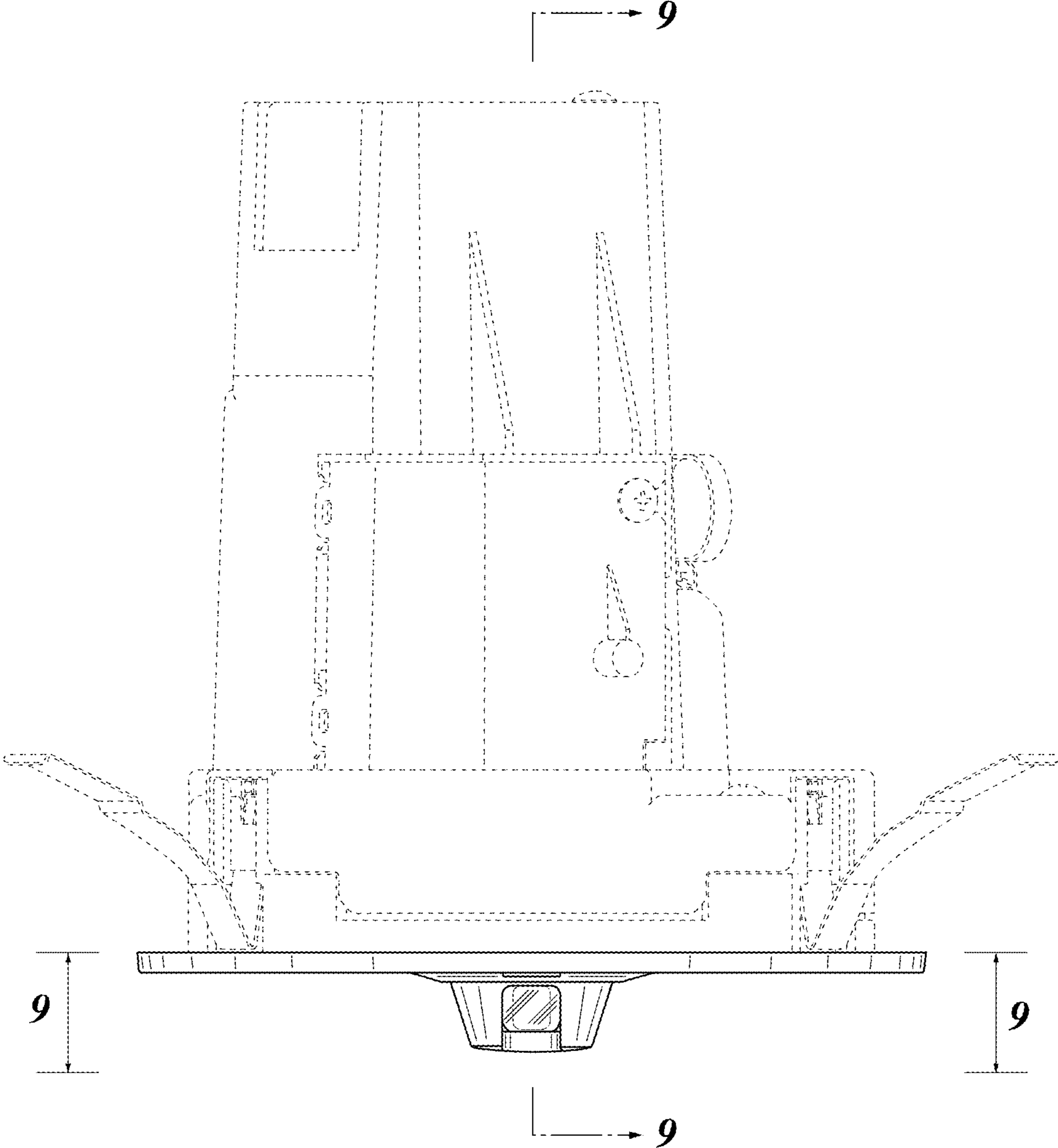


FIG. 4

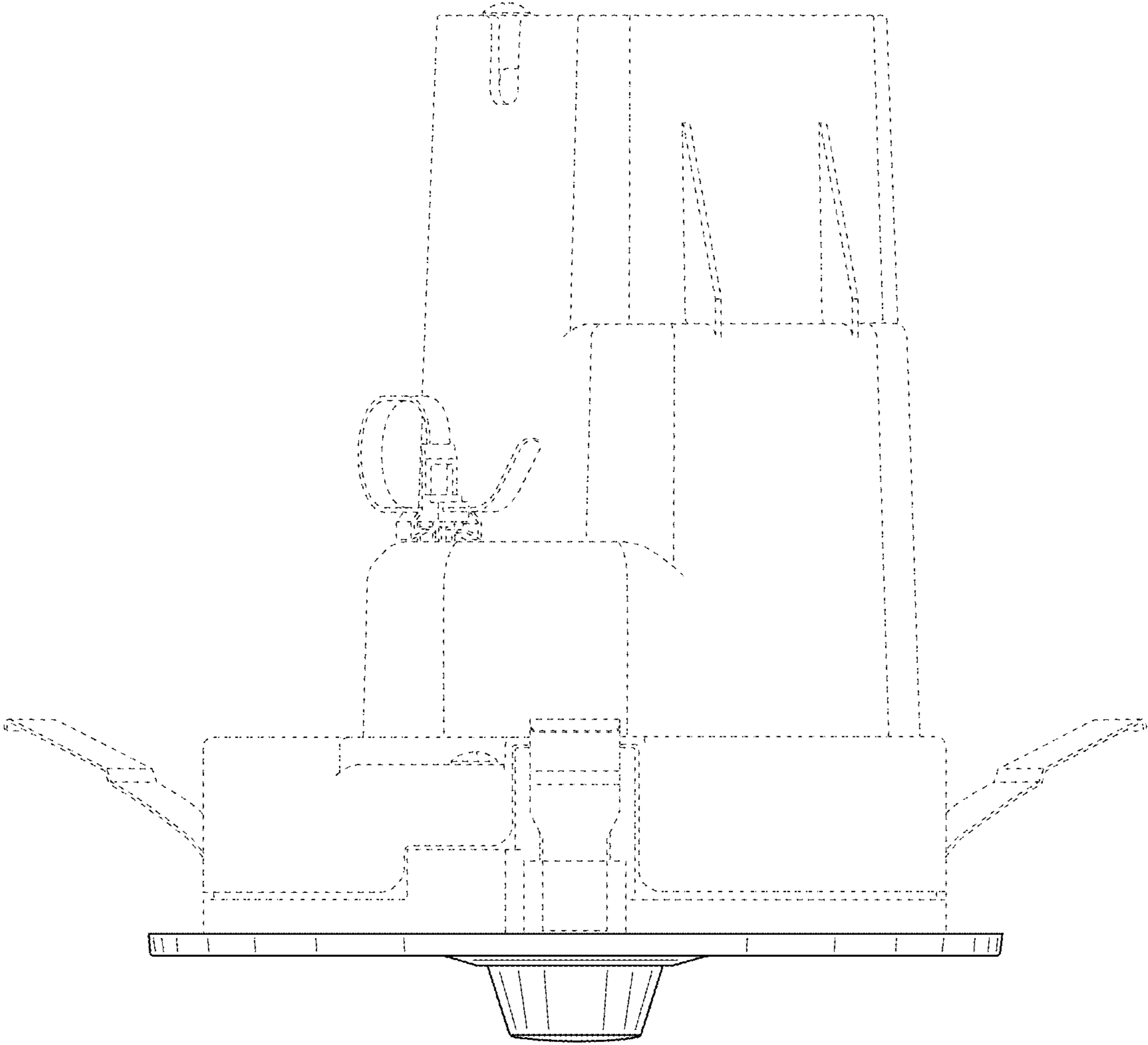


FIG. 5

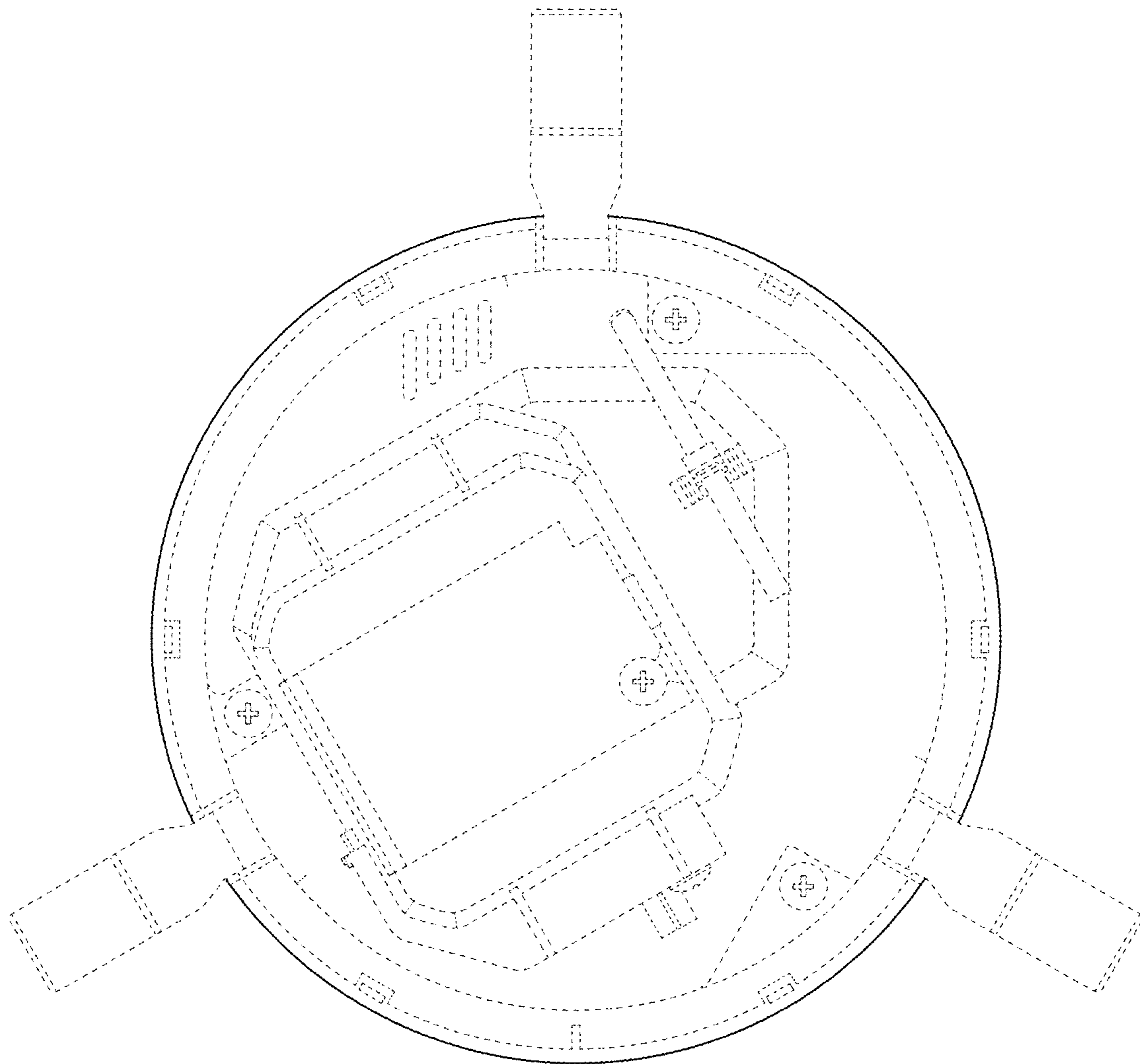


FIG. 6

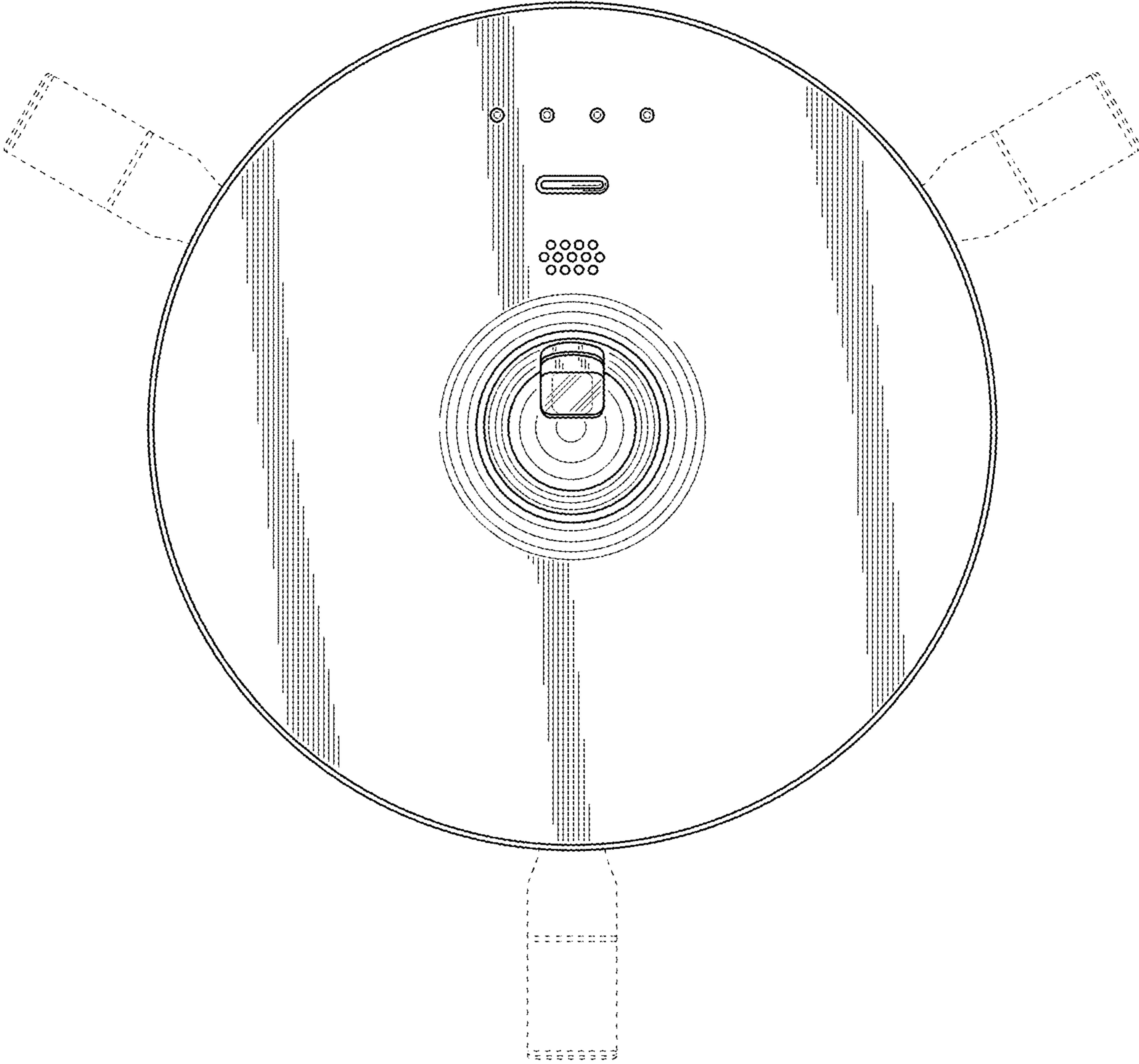


FIG. 7

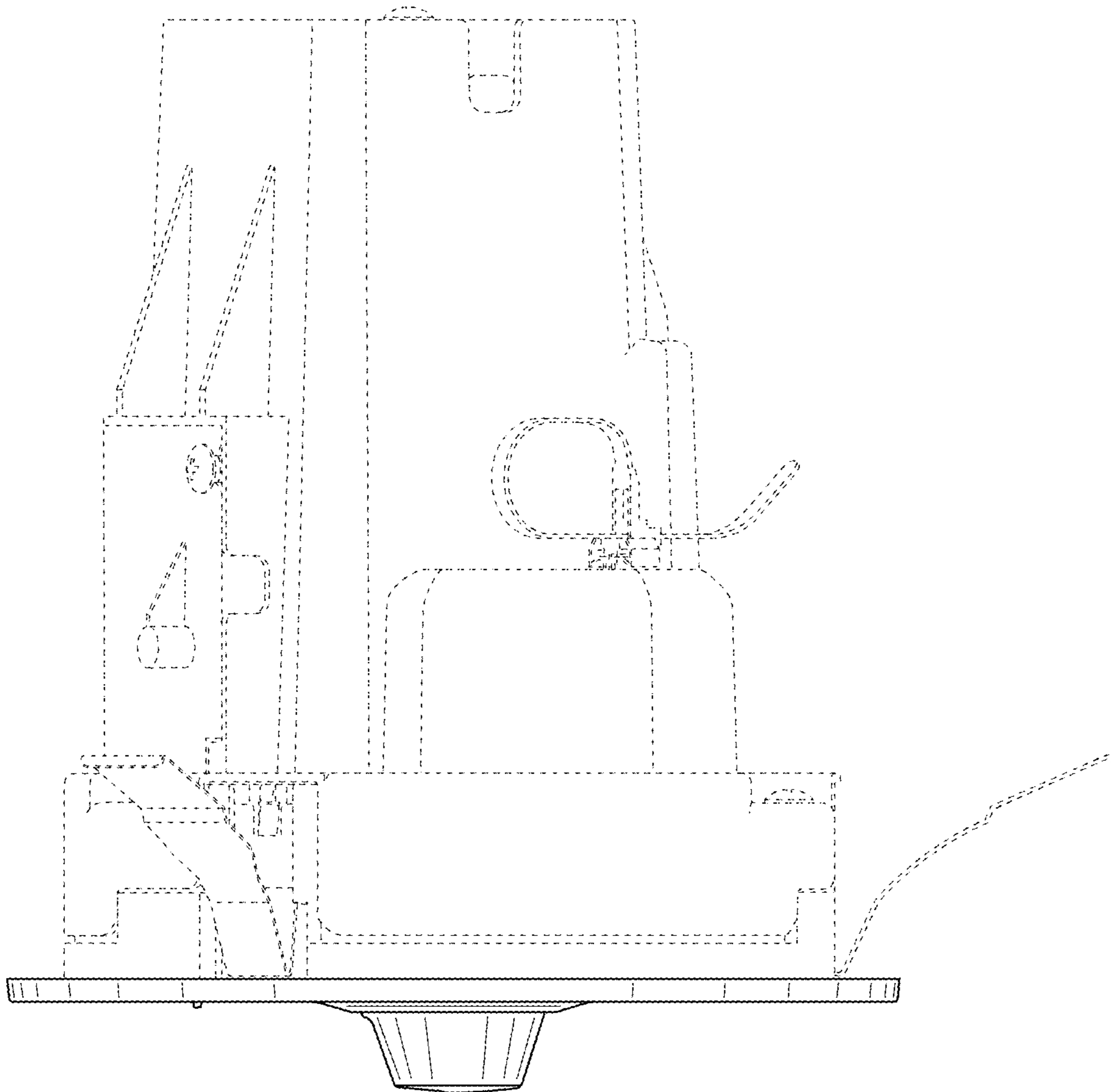


FIG. 8

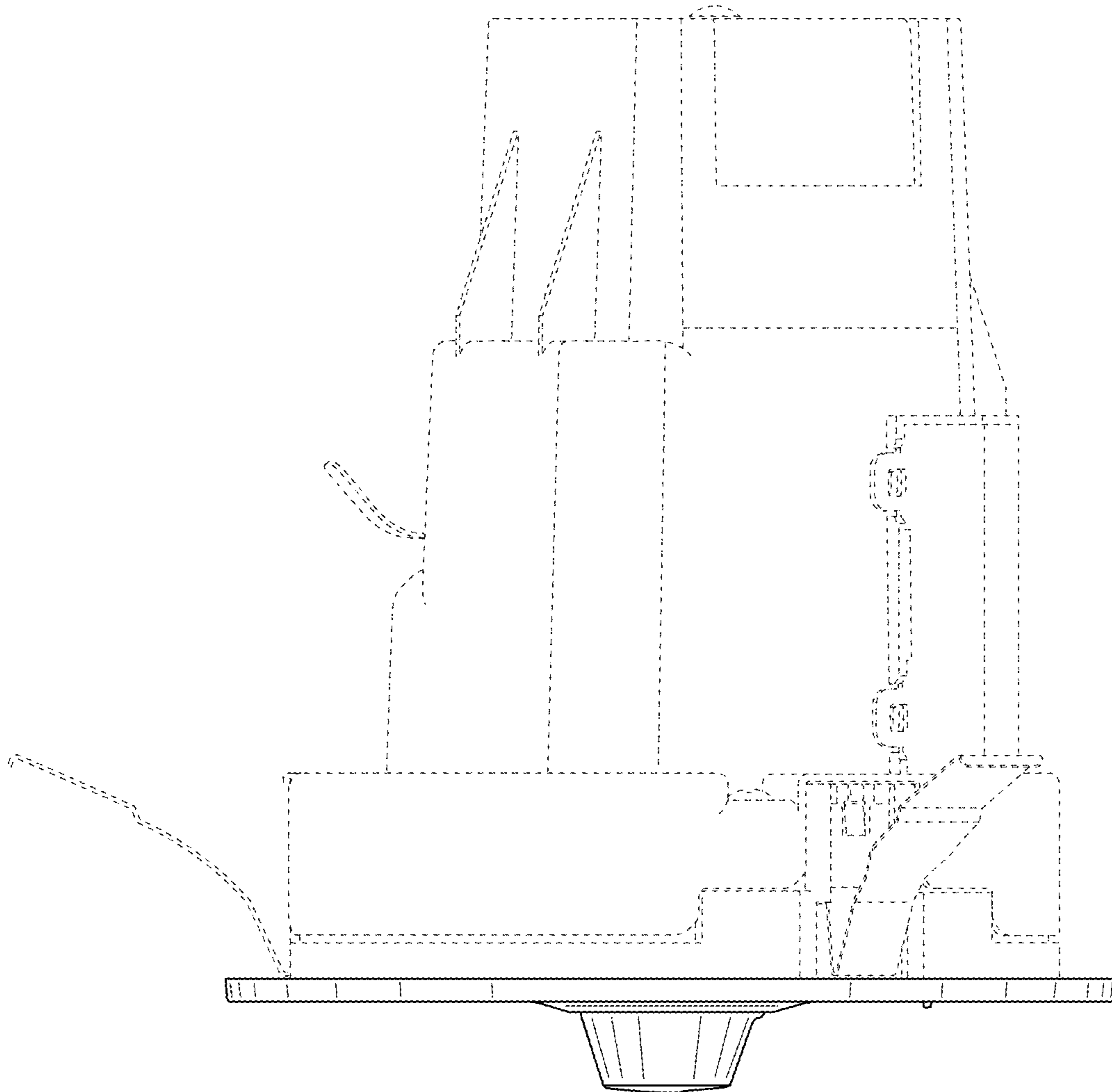


FIG. 9

