



US00D977997S

(12) **United States Design Patent**  
**Kiyonaga**

(10) **Patent No.:** **US D977,997 S**

(45) **Date of Patent:** **\*\* Feb. 14, 2023**

(54) **HANDS FREE TEMPERATURE GAUGE WITH LASER INDICATOR**

(71) Applicant: **PAST PATTERNS LLC**, Menlo Park, CA (US)

(72) Inventor: **Davis Kiyonaga**, Chevy Chase, MD (US)

(\*\*) Term: **15 Years**

(21) Appl. No.: **29/788,265**

(22) Filed: **Apr. 20, 2021**

(51) **LOC (14) Cl.** ..... **10-04**

(52) **U.S. Cl.**  
USPC ..... **D10/52**

(58) **Field of Classification Search**  
USPC ..... D10/52, 53  
CPC ..... G01K 1/00; G01K 1/02; G01K 1/022;  
G01K 1/024; G01K 1/026; G01K 2201/02; G01K 2207/00; G01K 2207/02;  
G01K 2207/04; G01K 2207/06; G01K 2207/08

See application file for complete search history.

(56) **References Cited**

**U.S. PATENT DOCUMENTS**

6,430,956 B1 \* 8/2002 Haas ..... A61B 18/02  
62/293  
6,629,417 B2 \* 10/2003 Haas ..... F25B 25/00  
62/3.2

7,000,408 B2 \* 2/2006 Mitsubori ..... F25B 9/14  
62/6  
D562,162 S \* 2/2008 Forlenza ..... A61B 18/02  
D10/53  
D835,531 S \* 12/2018 Choi ..... F25B 25/00  
D10/53  
D950,398 S \* 5/2022 Moses ..... F25B 9/14  
D10/52

\* cited by examiner

*Primary Examiner* — Antoine Duval Davis

(74) *Attorney, Agent, or Firm* — Eric B. Alspaugh, APC

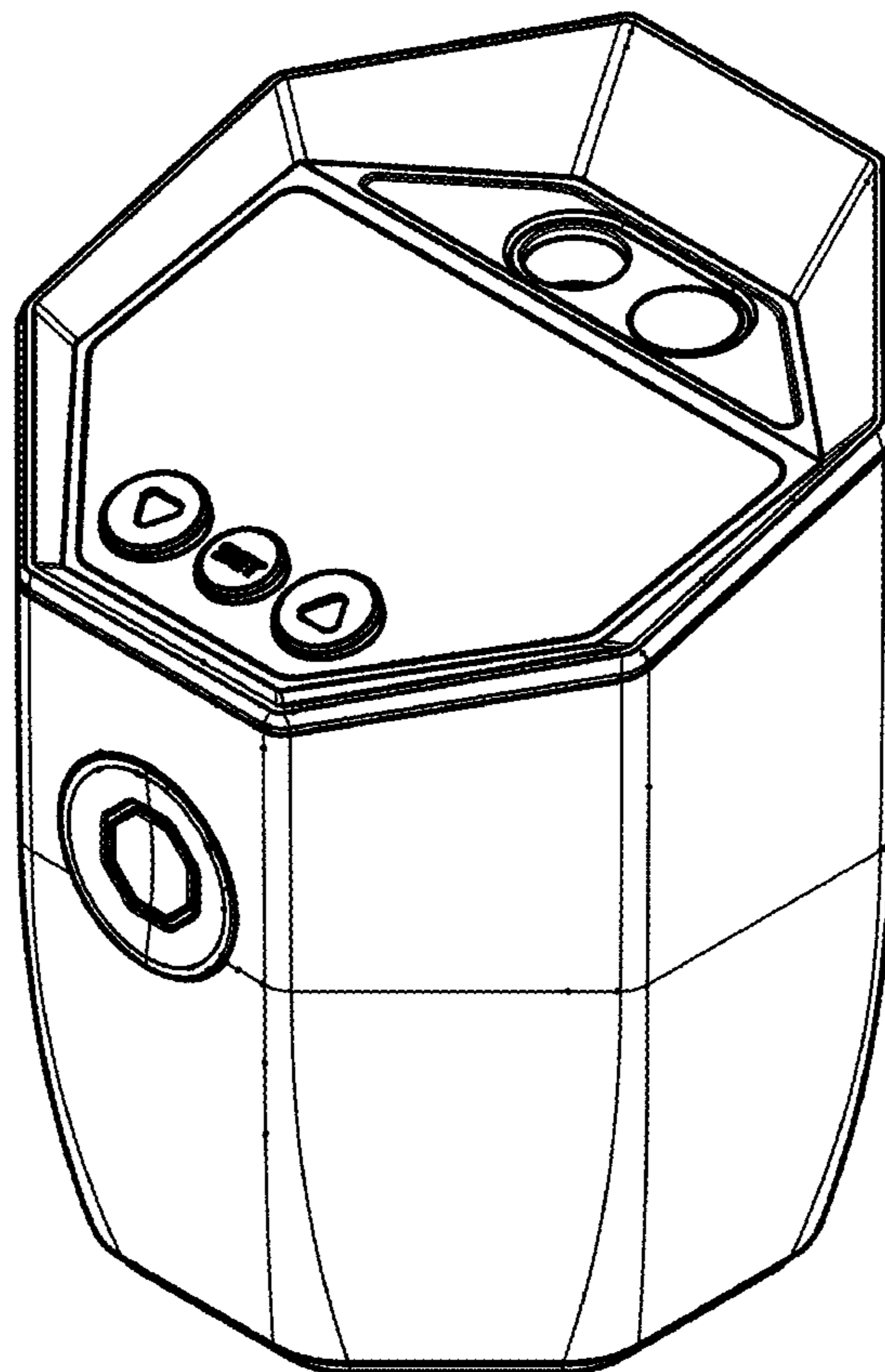
(57) **CLAIM**

The ornamental design for a hands free temperature gauge with laser indicator, as shown and described.

**DESCRIPTION**

FIG. 1 is a front left oblique view of a hands free temperature gauge with laser indicator showing my new design, FIG. 2 is a front view thereof, FIG. 3 is a back view thereof, FIG. 4 is a left side view thereof, FIG. 5 is a right side view thereof, FIG. 6 is a top view thereof; and, FIG. 7 is a bottom view thereof.

**1 Claim, 7 Drawing Sheets**



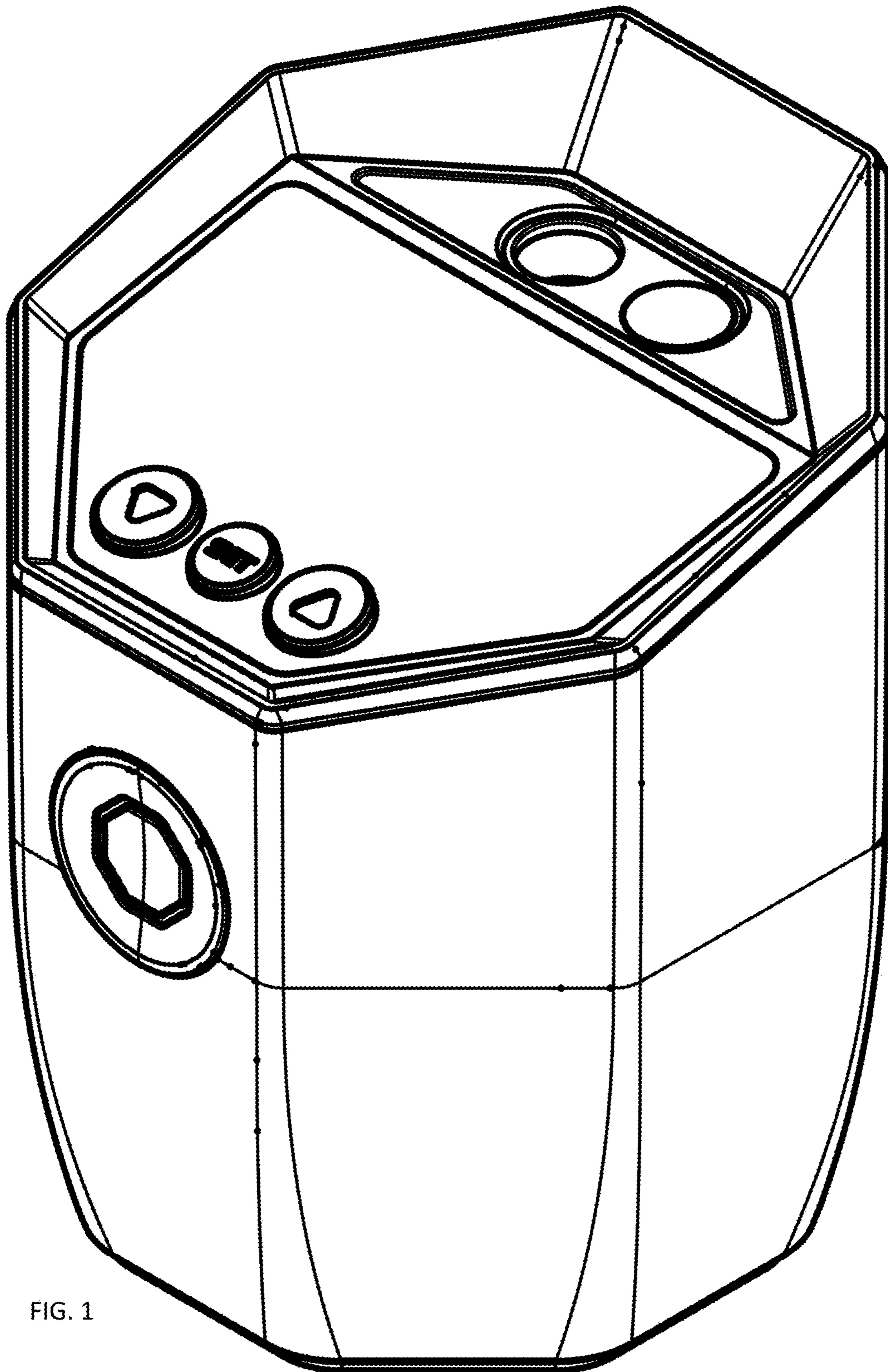


FIG. 1

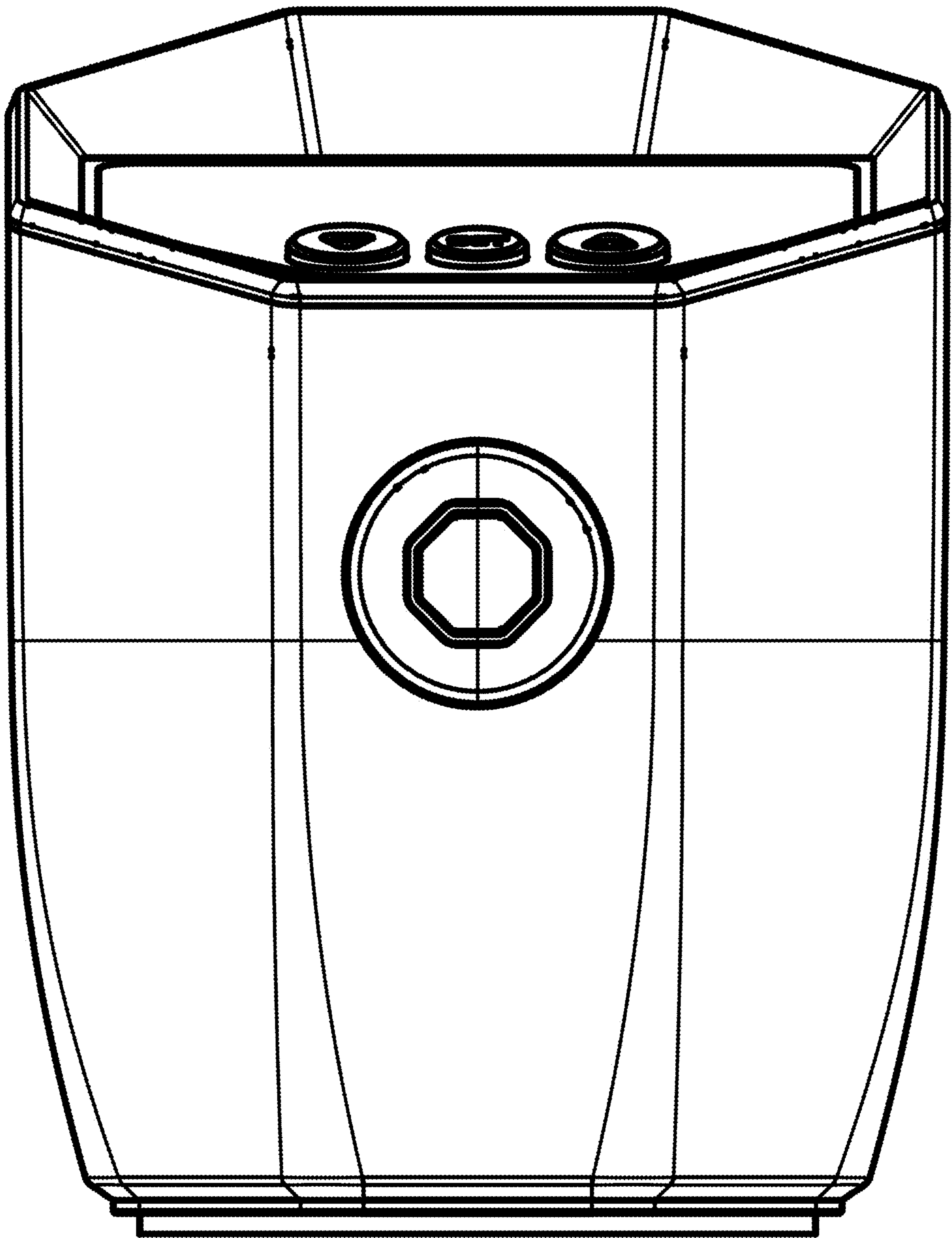


FIG. 2

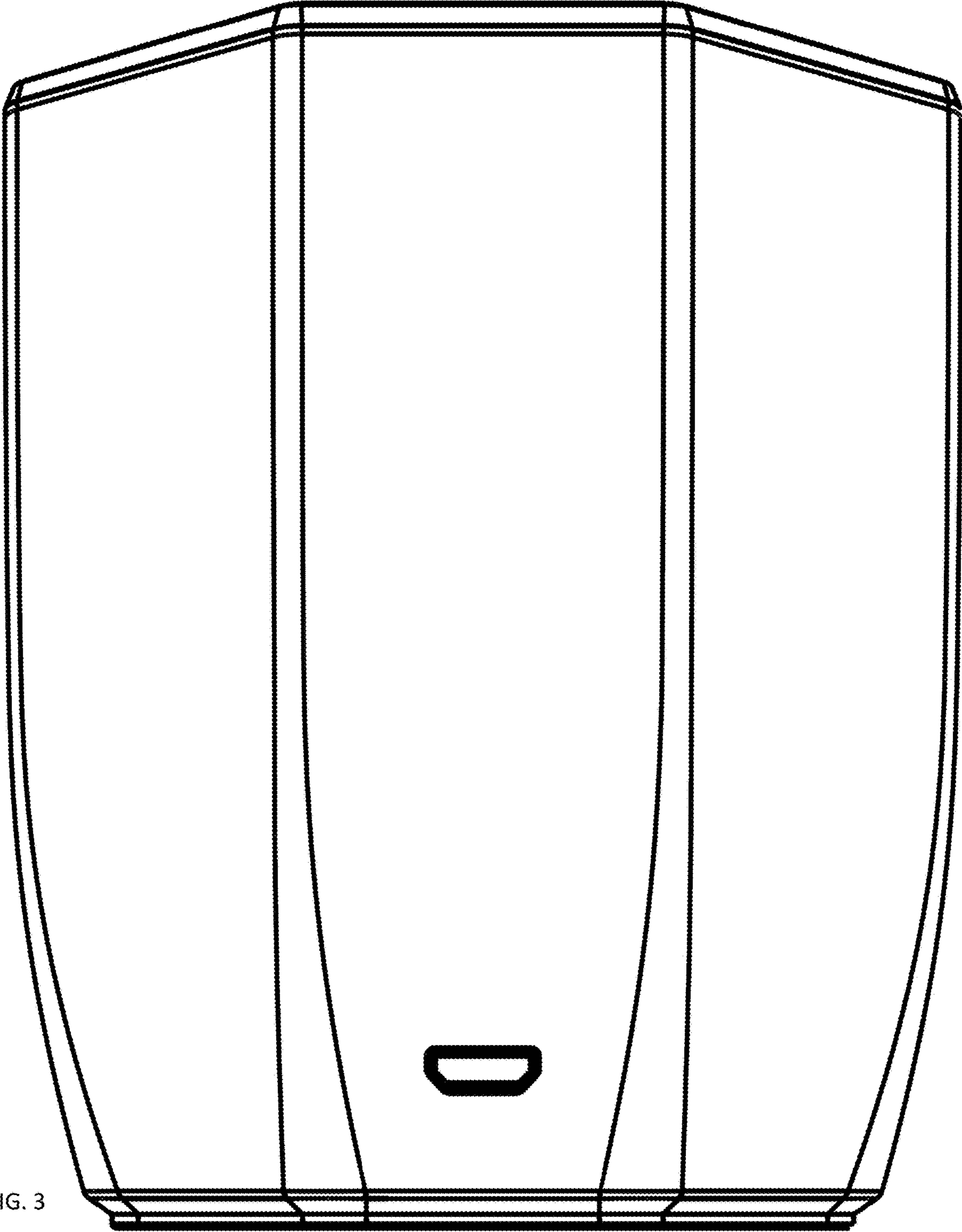


FIG. 3

FIG. 4

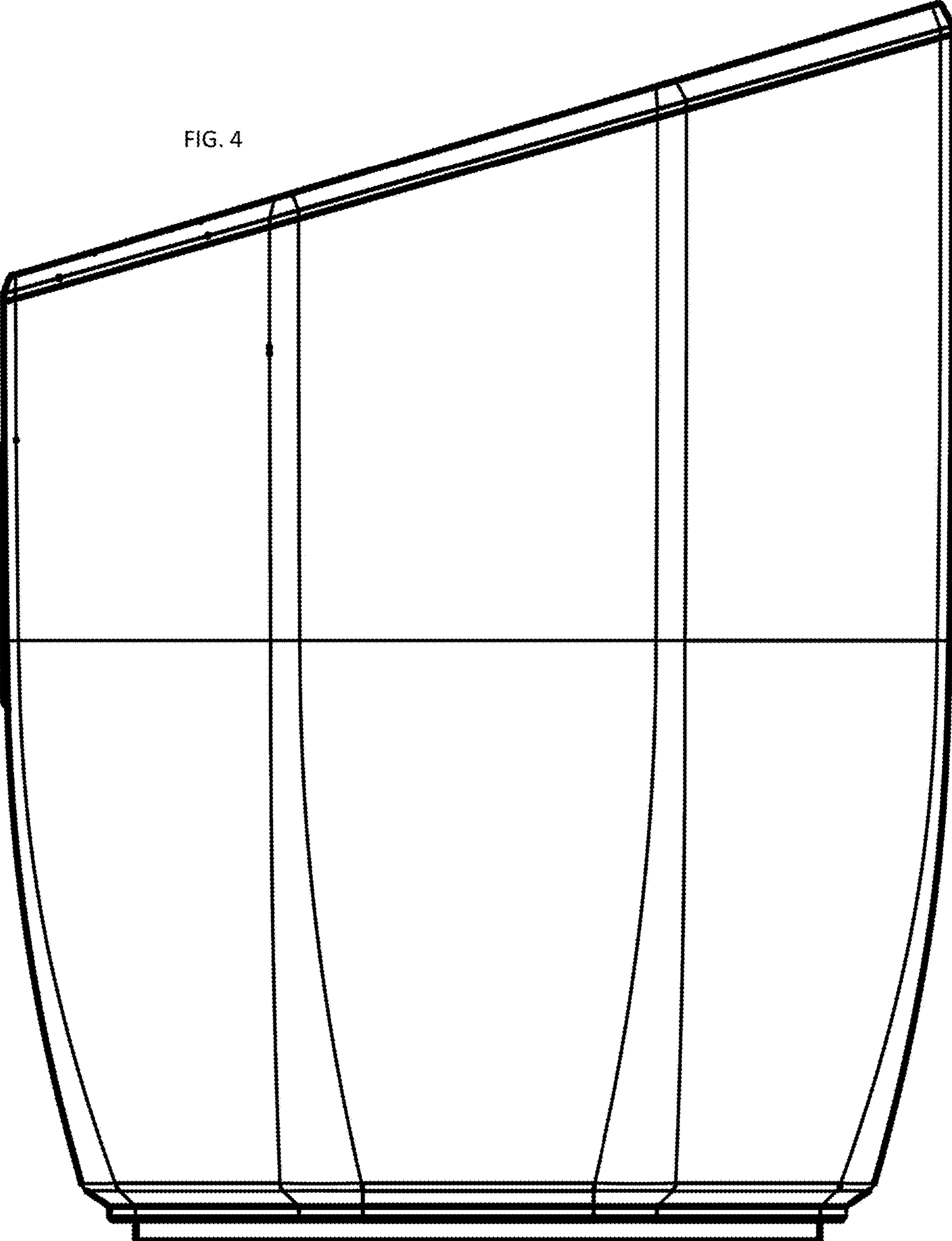
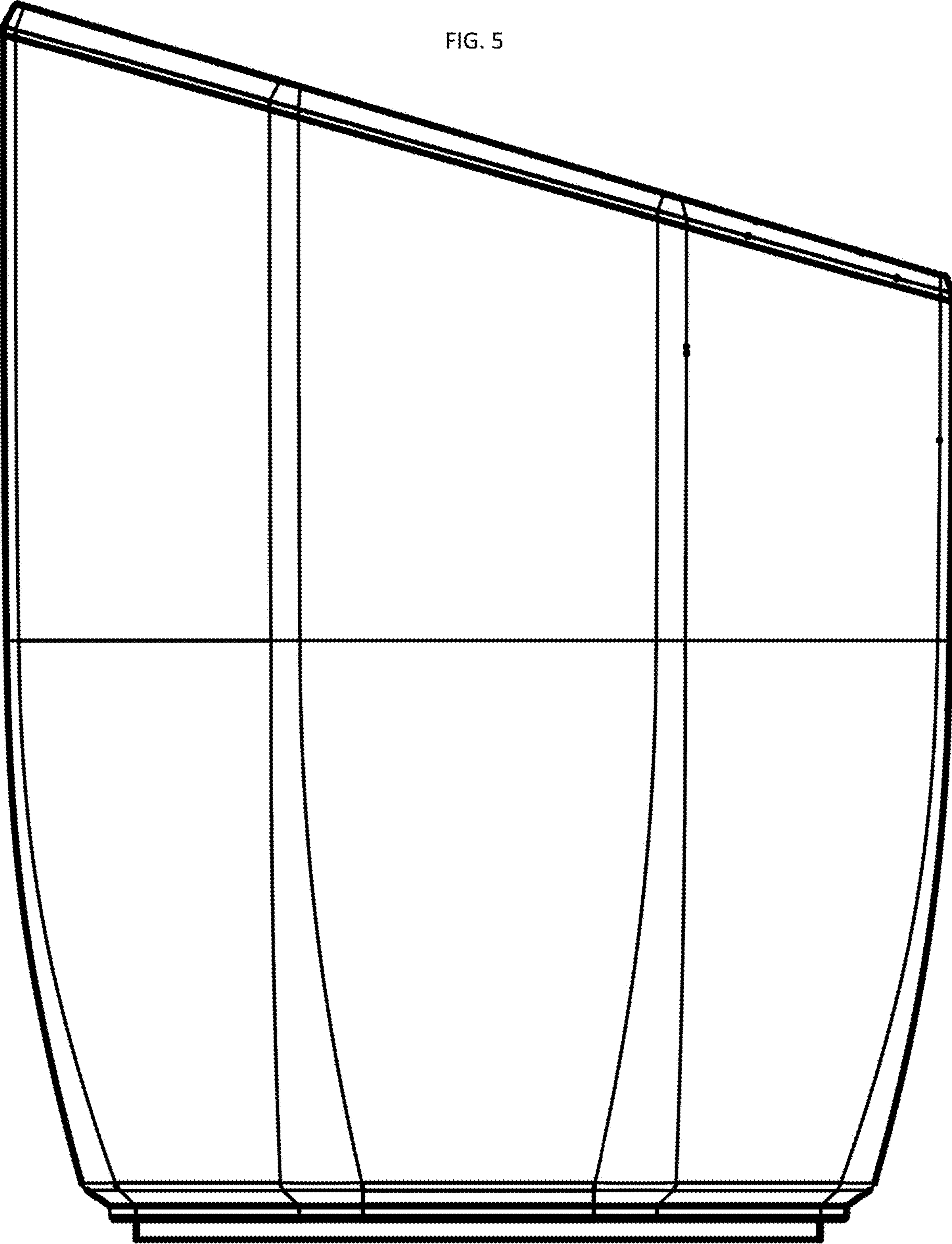


FIG. 5



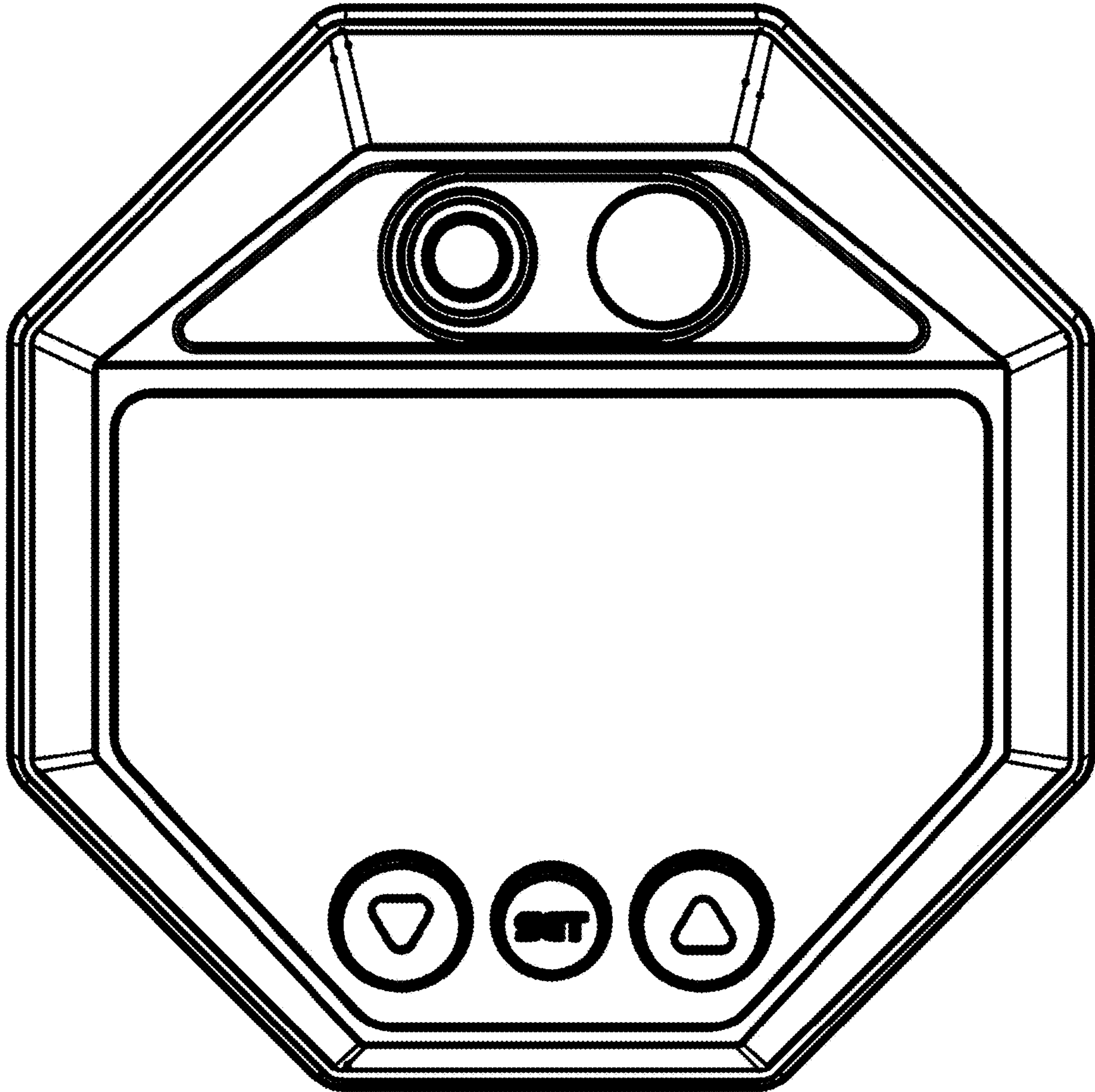


FIG. 6

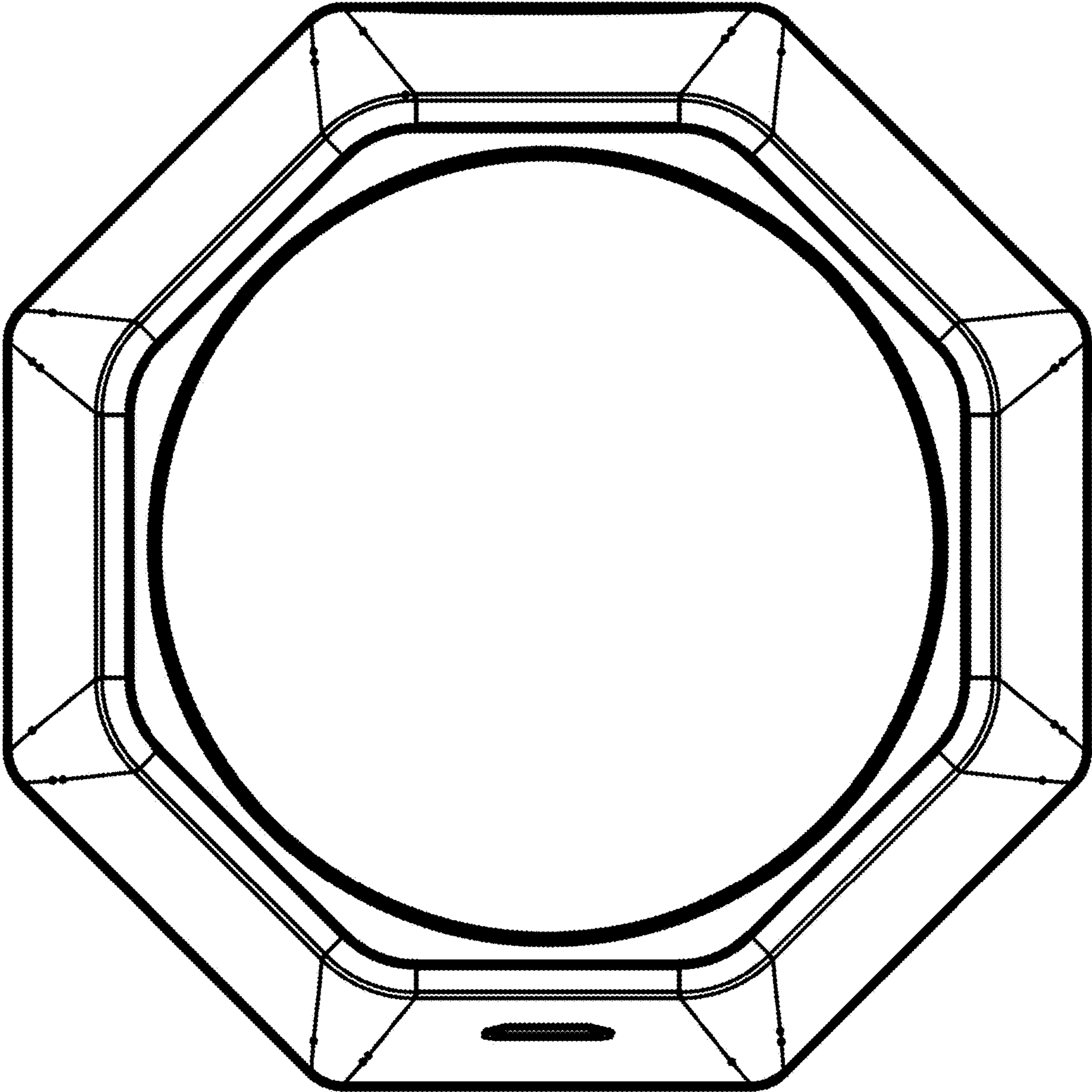


FIG. 7