



US00D977991S

(12) **United States Design Patent** (10) **Patent No.:** **US D977,991 S**  
**Biondokin** (45) **Date of Patent:** **\*\* Feb. 14, 2023**

(54) **MULTI-CHAMBERED BOTTLE**

FOREIGN PATENT DOCUMENTS

(71) Applicant: **Annie D. Biondokin**, Baltimore, MD (US)

CN 304339541 \* 11/2017  
CN 305643799 \* 3/2020

(Continued)

(72) Inventor: **Annie D. Biondokin**, Baltimore, MD (US)

OTHER PUBLICATIONS

(\*\*) Term: **15 Years**

“WaterProof 3 Compartments Medicines Pillbox Keychain Aluminum Drug Pill Holder Container tube box keychain,” alibaba.com. [https://www.alibaba.com/product-detail/WaterProof-3-Compartments-Medicines-Pillbox-Keychain\\_1600071192201.html](https://www.alibaba.com/product-detail/WaterProof-3-Compartments-Medicines-Pillbox-Keychain_1600071192201.html) [Date accessed: May 10, 2022].

(21) Appl. No.: **29/848,707**

(22) Filed: **Aug. 4, 2022**

(51) **LOC (14) Cl.** ..... **09-01**

(Continued)

(52) **U.S. Cl.**

USPC ..... **D9/741**; D9/629

(58) **Field of Classification Search**

USPC ..... D9/737, 741, 743, 746, 747, 524, 526, D9/543, 575, 629

CPC ..... B65D 1/04

See application file for complete search history.

*Primary Examiner* — W. A. Teddy Falloway

(74) *Attorney, Agent, or Firm* — Bold IP, PLLC; Houda El-Jarrah

(57) **CLAIM**

The ornamental design for a multi-chambered bottle, as shown and as described.

(56) **References Cited**

U.S. PATENT DOCUMENTS

2,753,990 A	7/1956	Chalfin et al.	
D234,042 S *	1/1975	Barton	D9/526
D290,225 S	6/1987	Carlson	
D292,267 S	10/1987	Costa	
D298,991 S	12/1988	Stanley	
D301,546 S	6/1989	McCallister	
4,969,587 A	11/1990	Miller	
D411,443 S *	6/1999	Bakic	D9/688
D413,748 S	9/1999	Lagrotta	
D420,576 S *	2/2000	Abraskin	D9/524
D572,595 S *	7/2008	Stern	D9/741
D587,599 S	3/2009	Steltenkamp	
7,946,452 B2	5/2011	Hantman et al.	
D668,772 S *	10/2012	Shanler	D24/224
D673,048 S *	12/2012	Waite	D9/542
D706,140 S *	6/2014	DeMarco	D9/741
D727,749 S *	4/2015	DeMarco	D9/741
9,173,513 B2	11/2015	Bogani et al.	

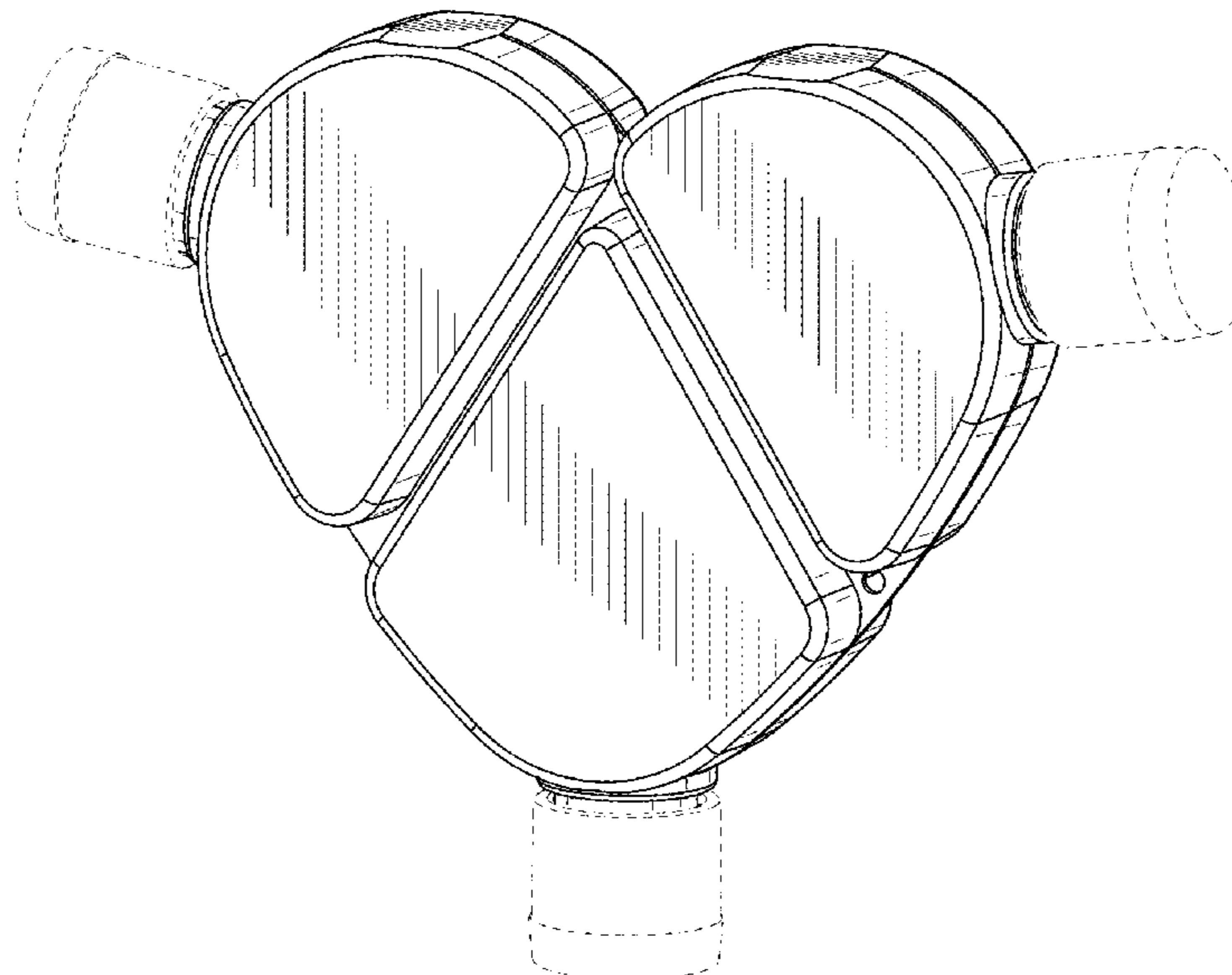
(Continued)

**DESCRIPTION**

FIG. 1 is a bottom perspective view of a multi-chambered bottle showing my new design; FIG. 2 is a front view thereof; FIG. 3 is a rear view thereof; FIG. 4 is a left side view thereof; FIG. 5 is a right side view thereof; FIG. 6 is a bottom view thereof; FIG. 7 is a top view thereof; and, FIG. 8 is a view showing the multi-chambered bottle on a key chain holder.

The broken lines included in the Figures illustrate environmental structure and form no part of the claimed design. The multi-chambered bottle holds fluids in the three different chambers and can stand on its side or a cap.

**1 Claim, 6 Drawing Sheets**



(56)

**References Cited**

U.S. PATENT DOCUMENTS

9,499,315	B1	11/2016	Lue et al.	
D790,354	S *	6/2017	Veletakos .....	D9/539
D803,071	S	11/2017	Telu-Zoltner	
D813,041	S *	3/2018	Staab .....	D9/566
D834,306	S *	11/2018	Shelton .....	D9/532
D837,341	S *	1/2019	Nikles .....	D23/213
D849,558	S	5/2019	Osmus et al.	
D866,340	S *	11/2019	Sofer .....	D9/451
D886,309	S	6/2020	Esnard	
D899,765	S *	10/2020	Shelton .....	D3/208
D929,870	S *	9/2021	Woodruff .....	D9/524
2005/0161424	A1	7/2005	Hogan	
2005/0173440	A1	8/2005	Johnson	
2006/0138169	A1	6/2006	Cafferty	
2007/0267378	A1	11/2007	Piccinino et al.	
2008/0179270	A1	7/2008	Thibaut	
2012/0152980	A1	6/2012	Maurer	

FOREIGN PATENT DOCUMENTS

CN	306240798	*	12/2020
CN	306792411	*	8/2021

OTHER PUBLICATIONS

“Travel Bottles Keychain, 2oz/50ml Plastic Keychain Bottles Empty Leakproof Refillable Hand Sanitizer Bottles Containers with Flip Cap Portable Squeezable Bottles for Travel, Outdoor, School 6 Pack,” amazon.com. <https://www.amazon.com/Leakproof-Refillable-Sanitizer-Containers-Squeezable/dp/B088FWZR5Z> [Date accessed: May 10, 2022].

\* cited by examiner

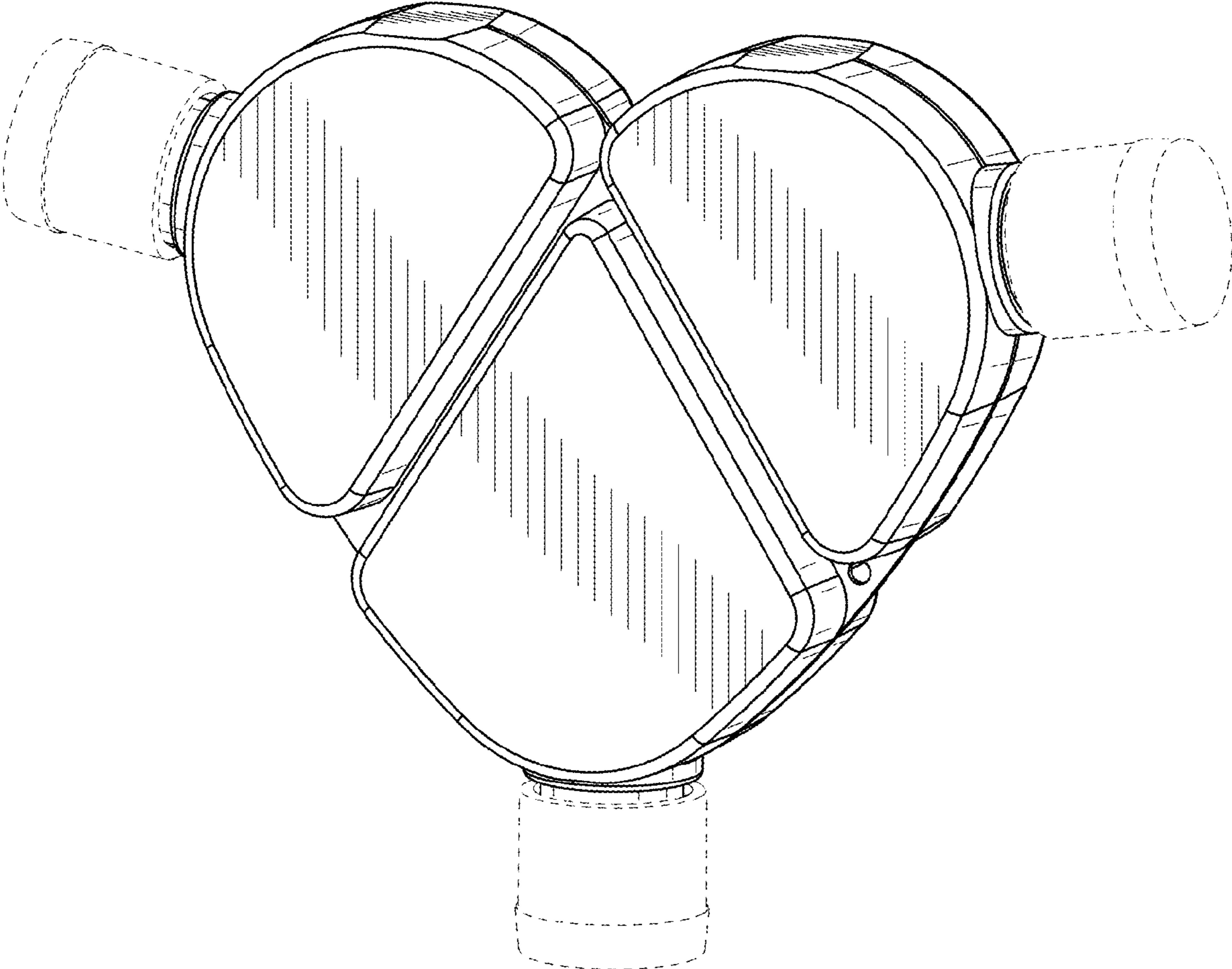


FIG. 1

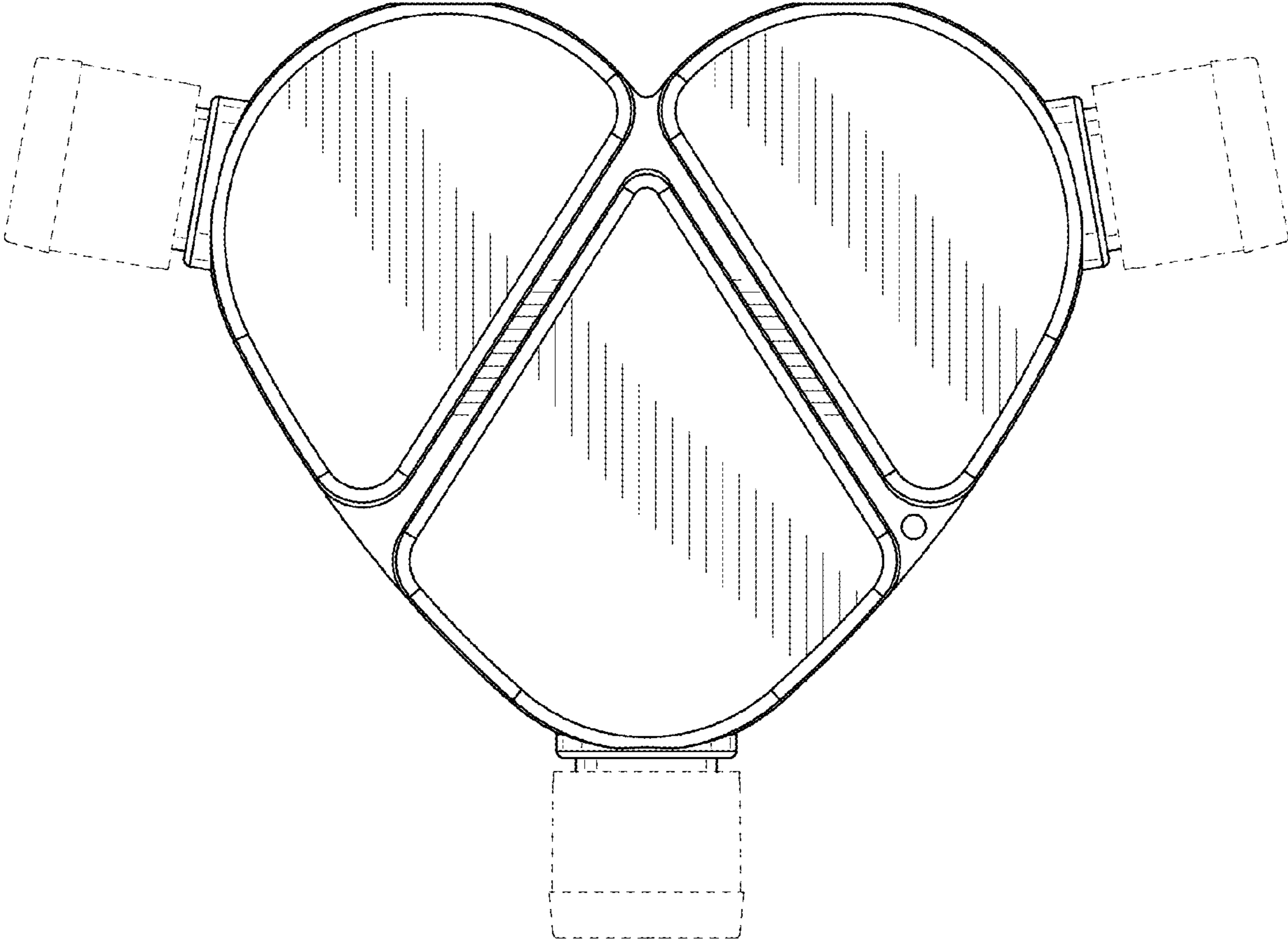


FIG. 2

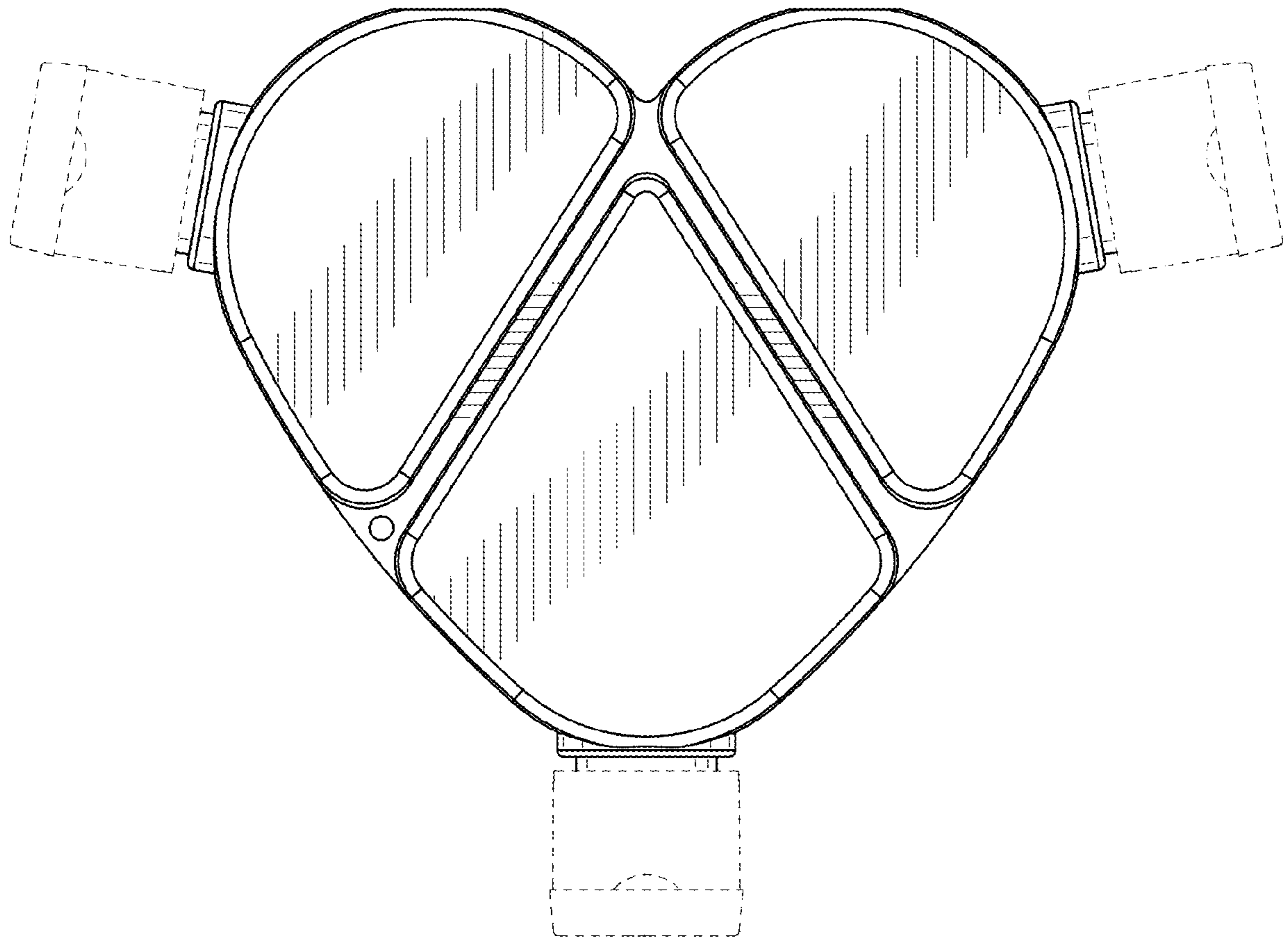


FIG. 3

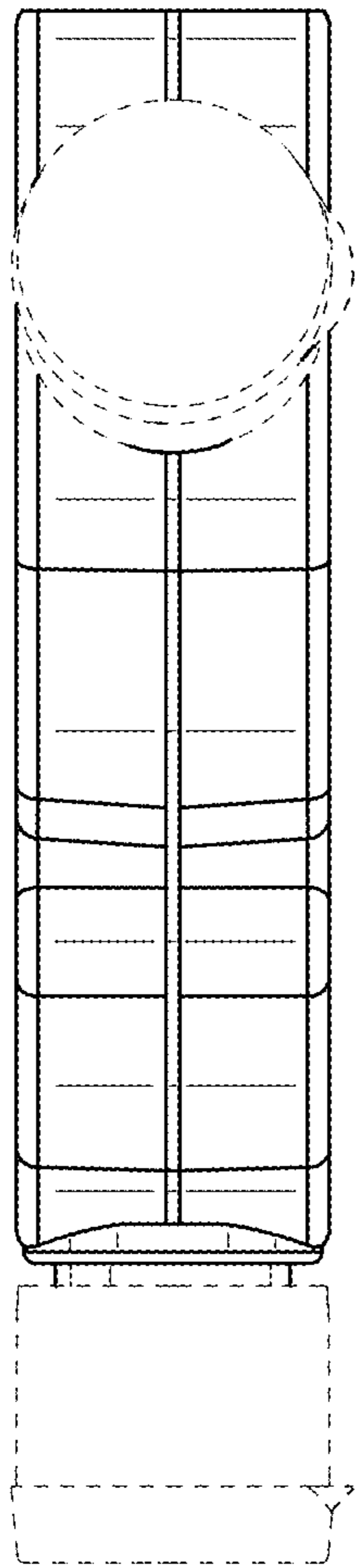


FIG. 4

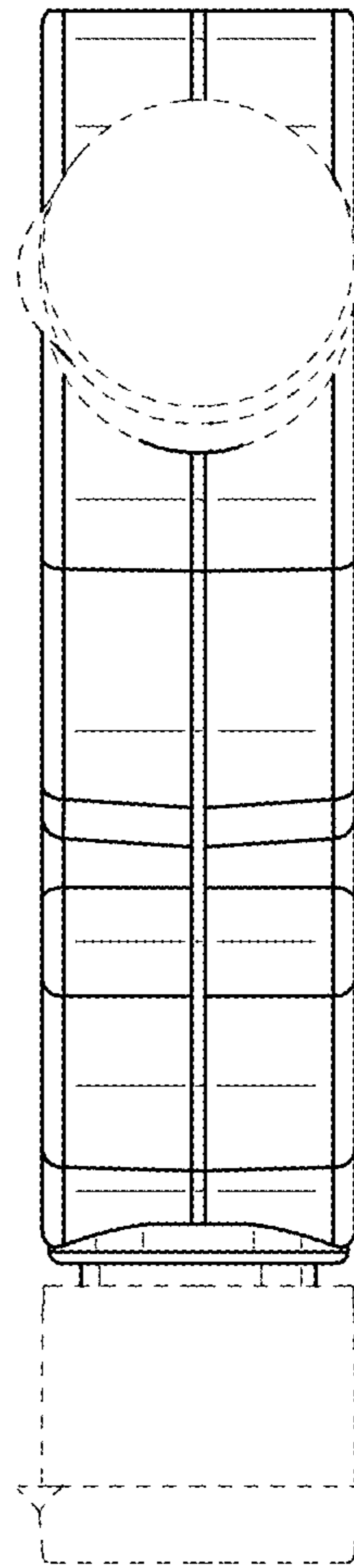


FIG. 5

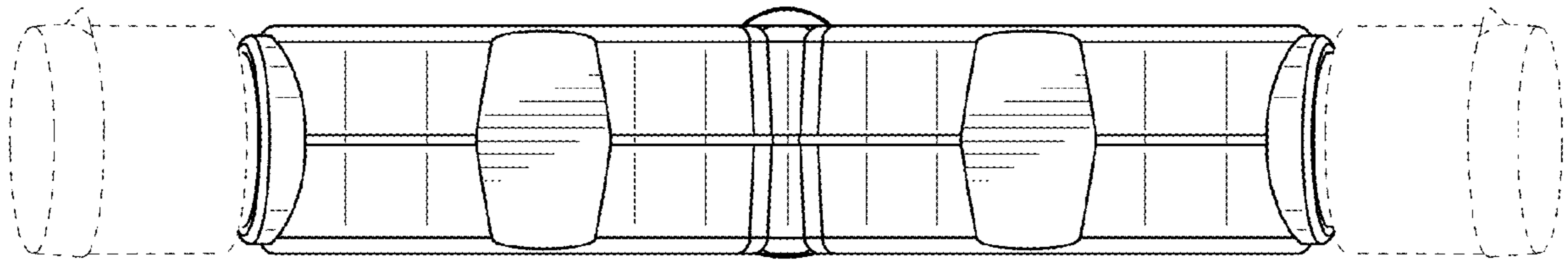


FIG. 6

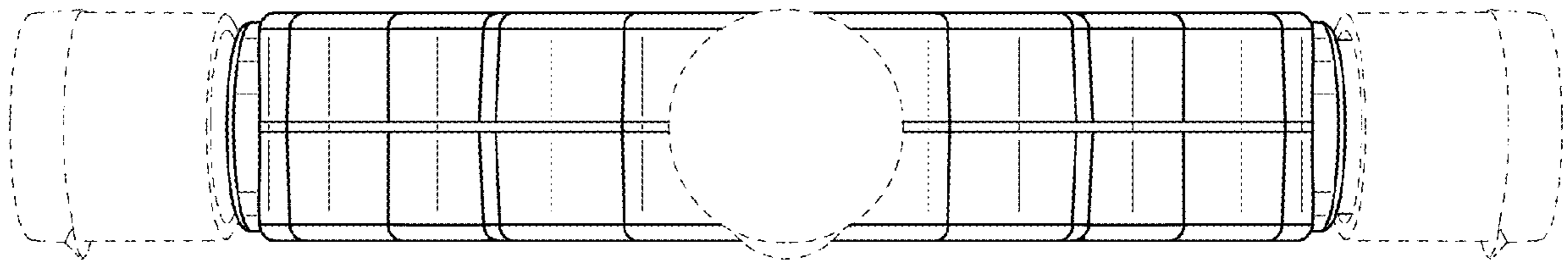


FIG. 7

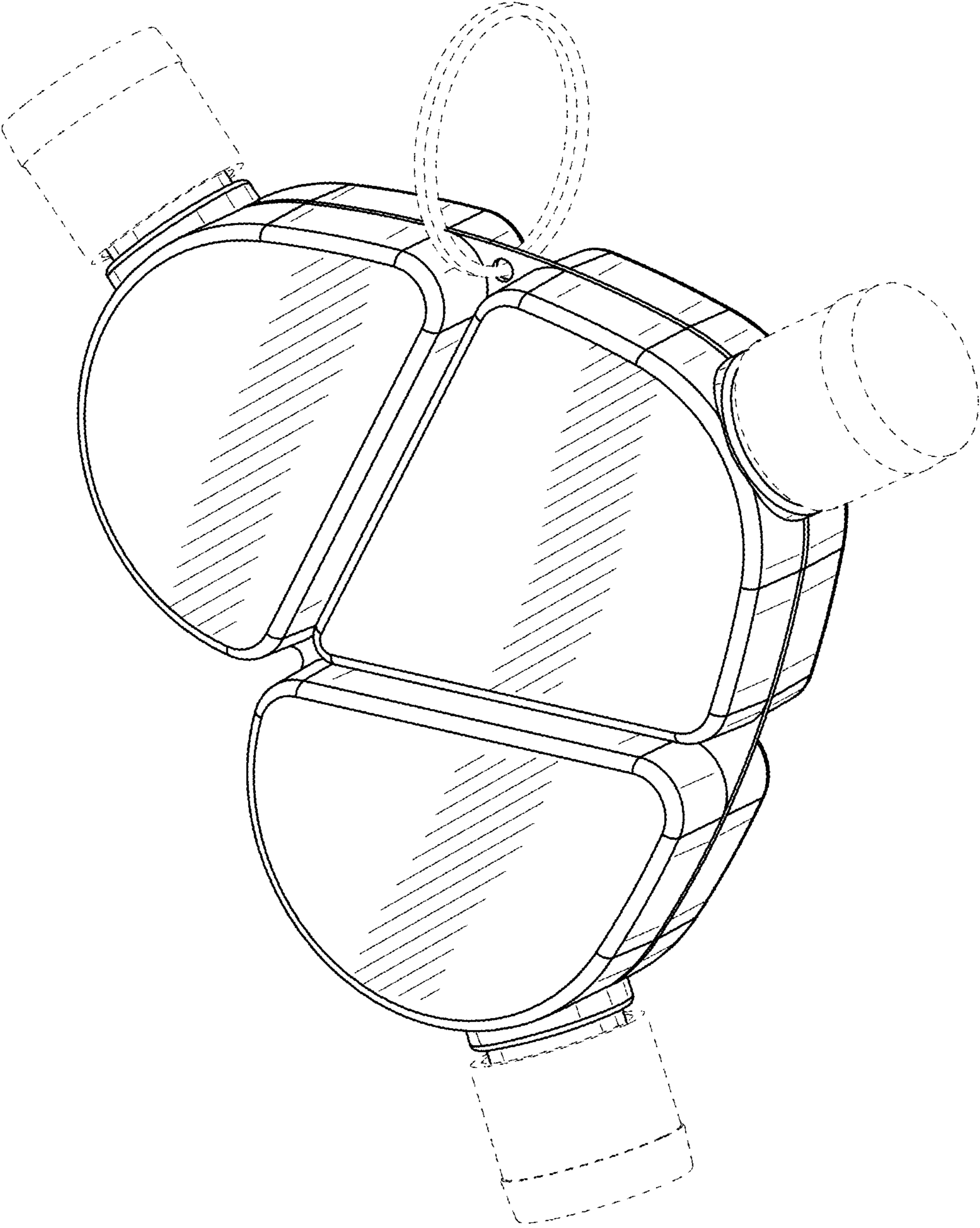


FIG. 8