



US00D977988S

(12) **United States Design Patent**  
**Wang**

(10) **Patent No.:** **US D977,988 S**

(45) **Date of Patent:** **\*\* Feb. 14, 2023**

(54) **TENT WATER BAG**

(71) Applicant: **Weibo Wang**, Ningbo (CN)

(72) Inventor: **Weibo Wang**, Ningbo (CN)

(\*\*) Term: **15 Years**

(21) Appl. No.: **29/850,233**

(22) Filed: **Aug. 18, 2022**

(51) **LOC (14) Cl.** ..... **09-05**

(52) **U.S. Cl.**

USPC ..... **D9/707**

(58) **Field of Classification Search**

USPC ..... D9/702-714, 429-432, 447, 720;  
D7/213, 601-602, 514-521, 300.2, 624,  
D7/645; 215/316; D24/207, 118, 129, 1;  
D3/202

CPC ... B65D 1/00; B65D 1/02; B65D 1/10; B65D  
1/32; B65D 1/243; B65D 1/0223; B65D  
1/0292; B65D 23/00; B65D 2501/00;  
B65D 2501/0009; B65D 75/42; A47G  
19/2227; A47G 21/145; A47G 23/0208;  
A47D 27/14; A45F 3/16; A45F 3/20;  
A45F 3/00

See application file for complete search history.

(56) **References Cited**

**U.S. PATENT DOCUMENTS**

5,307,955 A \* 5/1994 Viegas ..... B65D 47/2031  
222/173  
8,225,958 B2 \* 7/2012 Nielsen ..... B67D 3/045  
383/906

9,378,506 B1 \* 6/2016 Nawrocki ..... B42D 25/36  
D770,915 S \* 11/2016 James ..... D9/707  
D786,090 S \* 5/2017 Murray ..... D9/707  
D787,949 S 5/2017 Andochick  
D789,471 S 6/2017 Pajonk-Taylor et al.  
D821,225 S 6/2018 Andochick

\* cited by examiner

*Primary Examiner* — Abraham Bahta

(74) *Attorney, Agent, or Firm* — Rumit Ranjit Kanakia

(57) **CLAIM**

The ornamental design for a tent water bag, as shown and described.

**DESCRIPTION**

FIG. 1 is a first perspective view of a tent water bag showing my new design;

FIG. 2 is a second perspective view thereof;

FIG. 3 is a front view thereof;

FIG. 4 is a back view thereof;

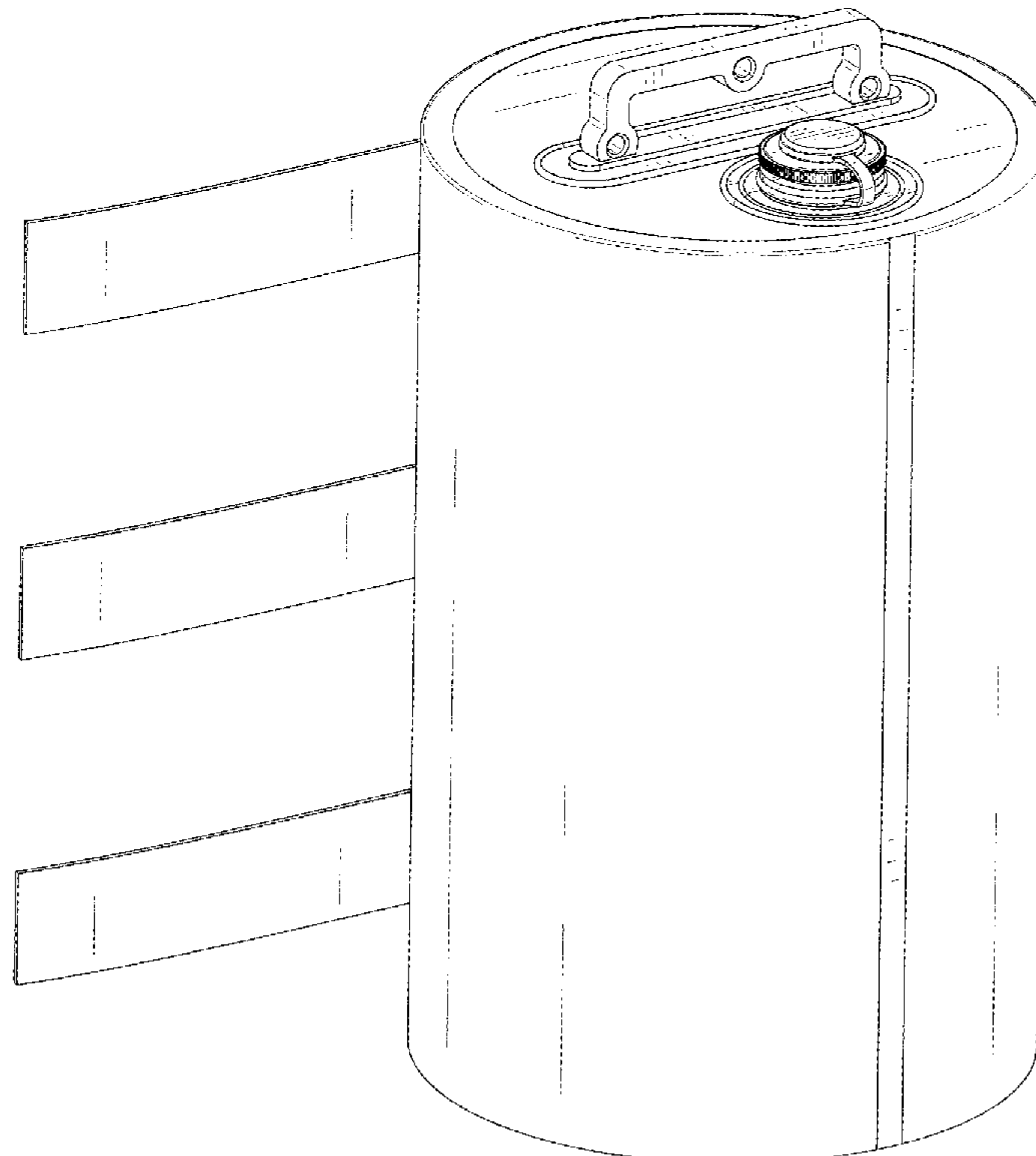
FIG. 5 is a left side view thereof;

FIG. 6 is a right side view thereof;

FIG. 7 is a top view thereof; and,

FIG. 8 is a bottom view thereof.

**1 Claim, 8 Drawing Sheets**



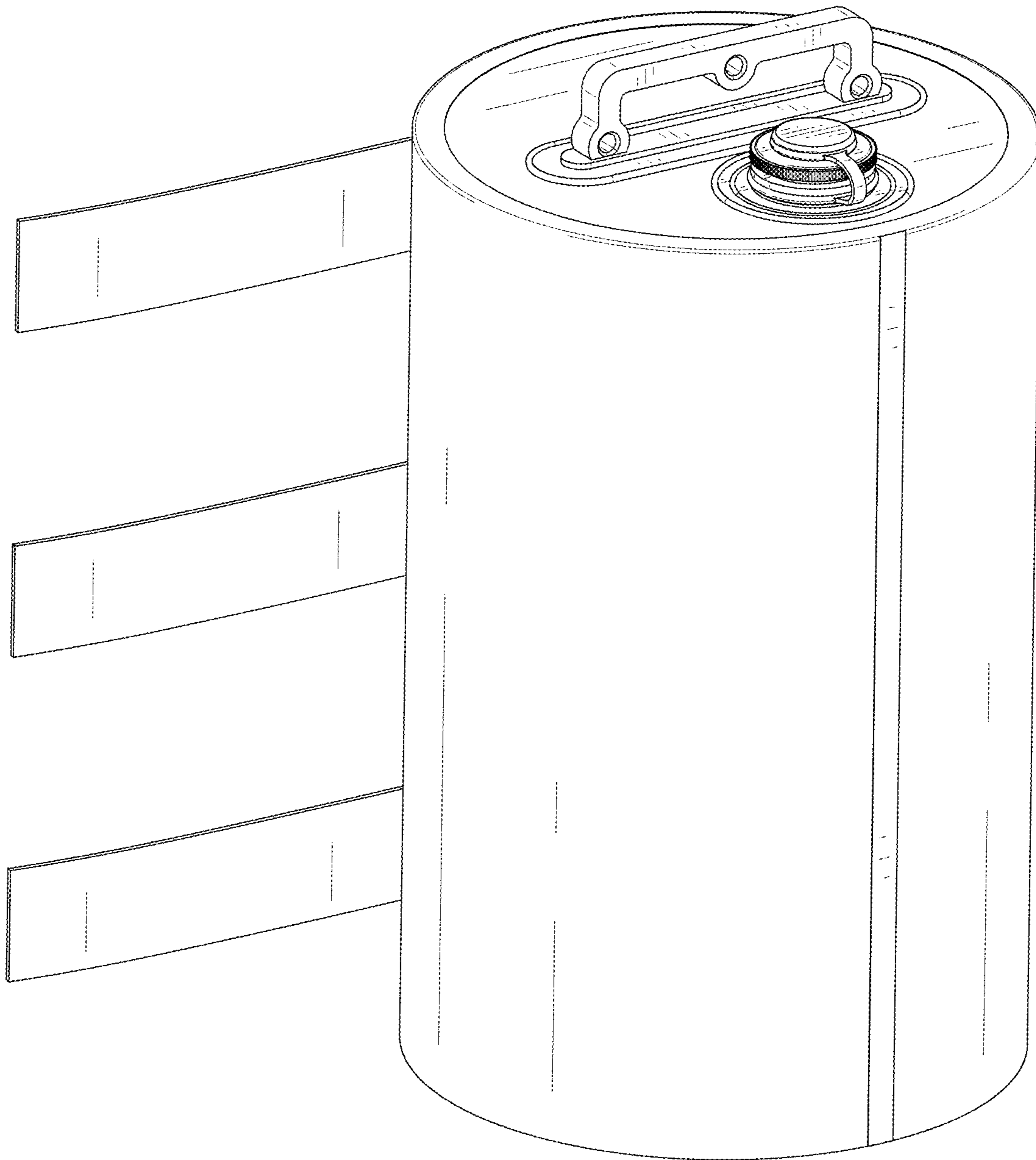


FIG. 1

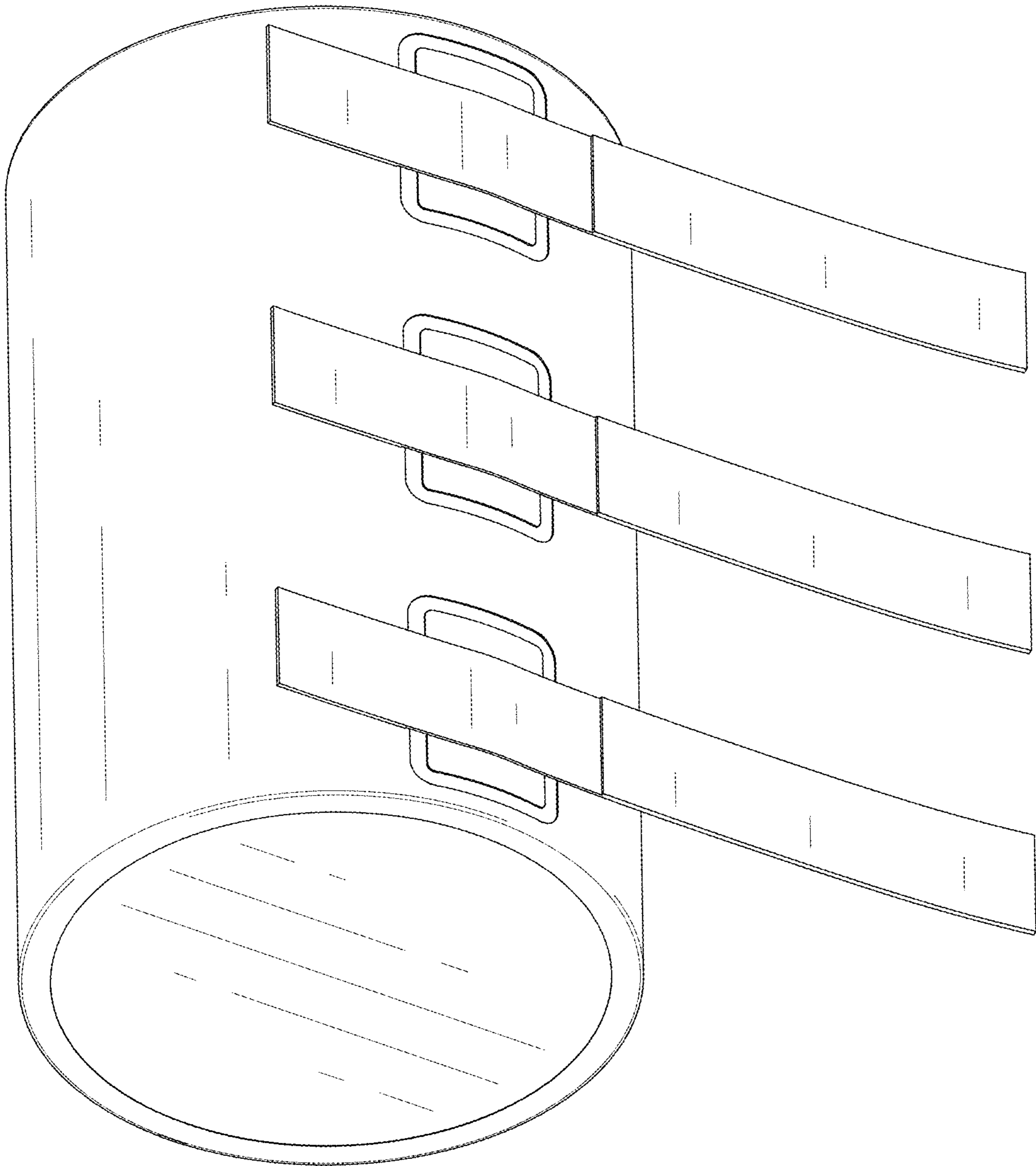


FIG. 2

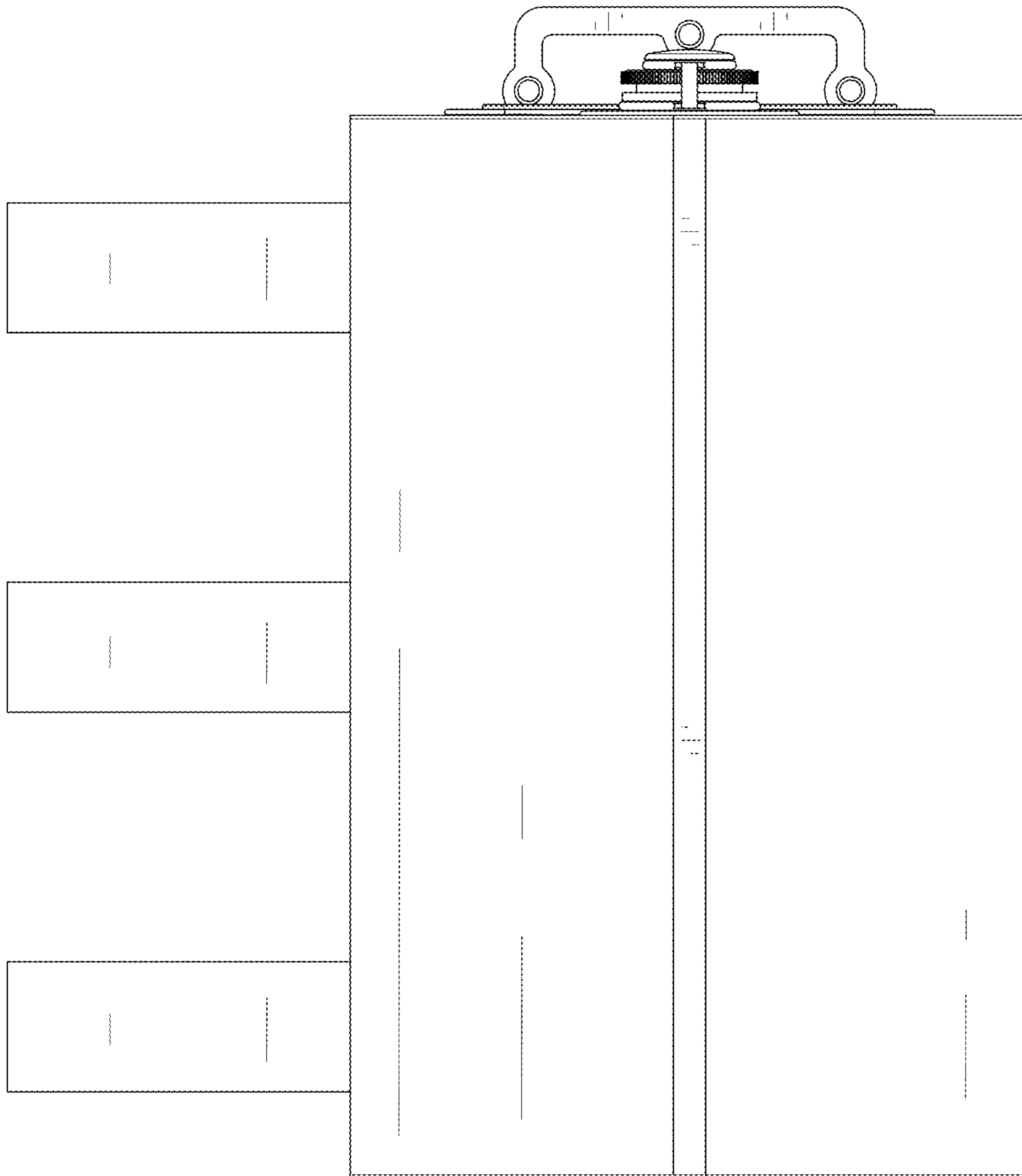


FIG. 3

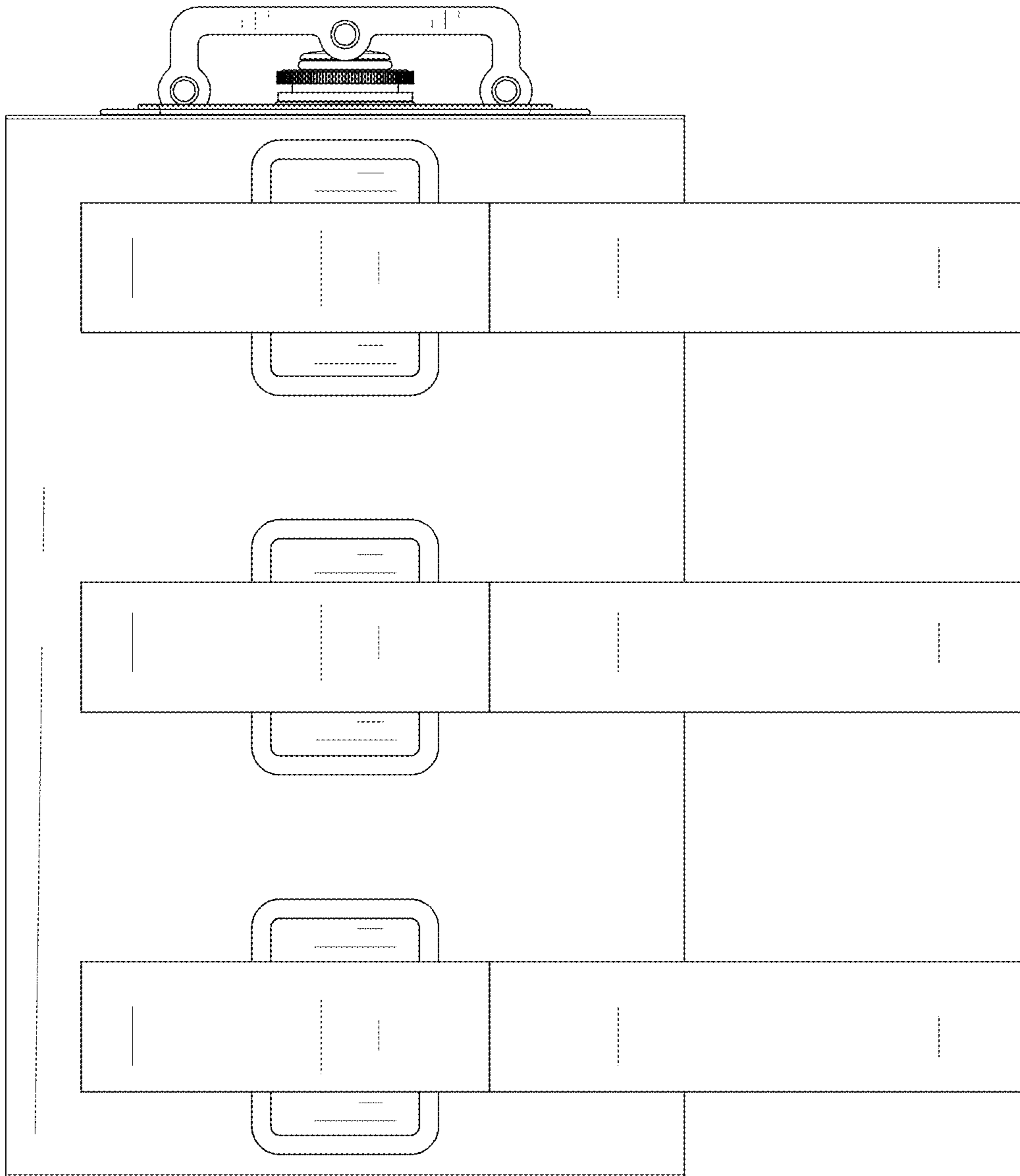


FIG. 4

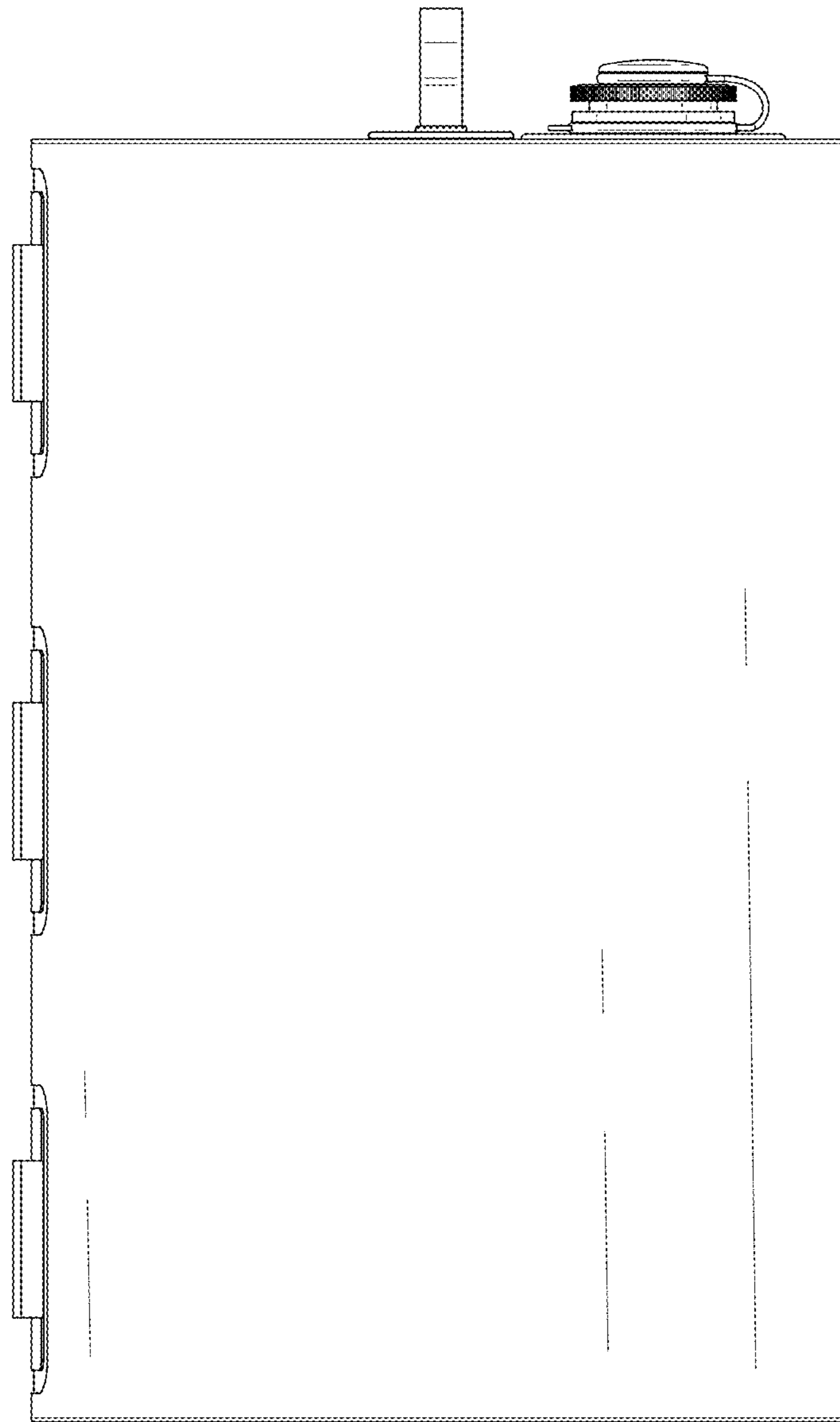


FIG. 5

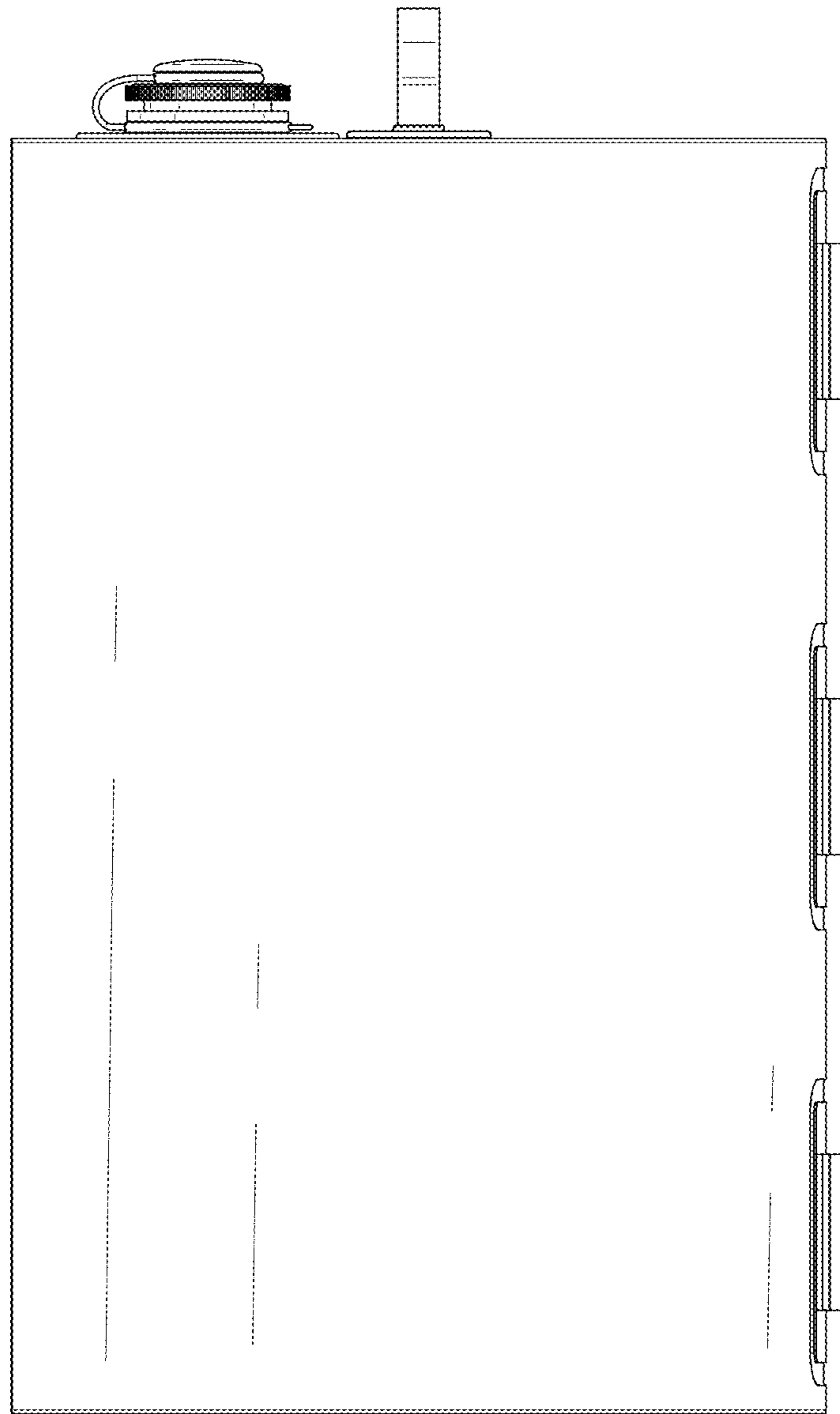


FIG. 6



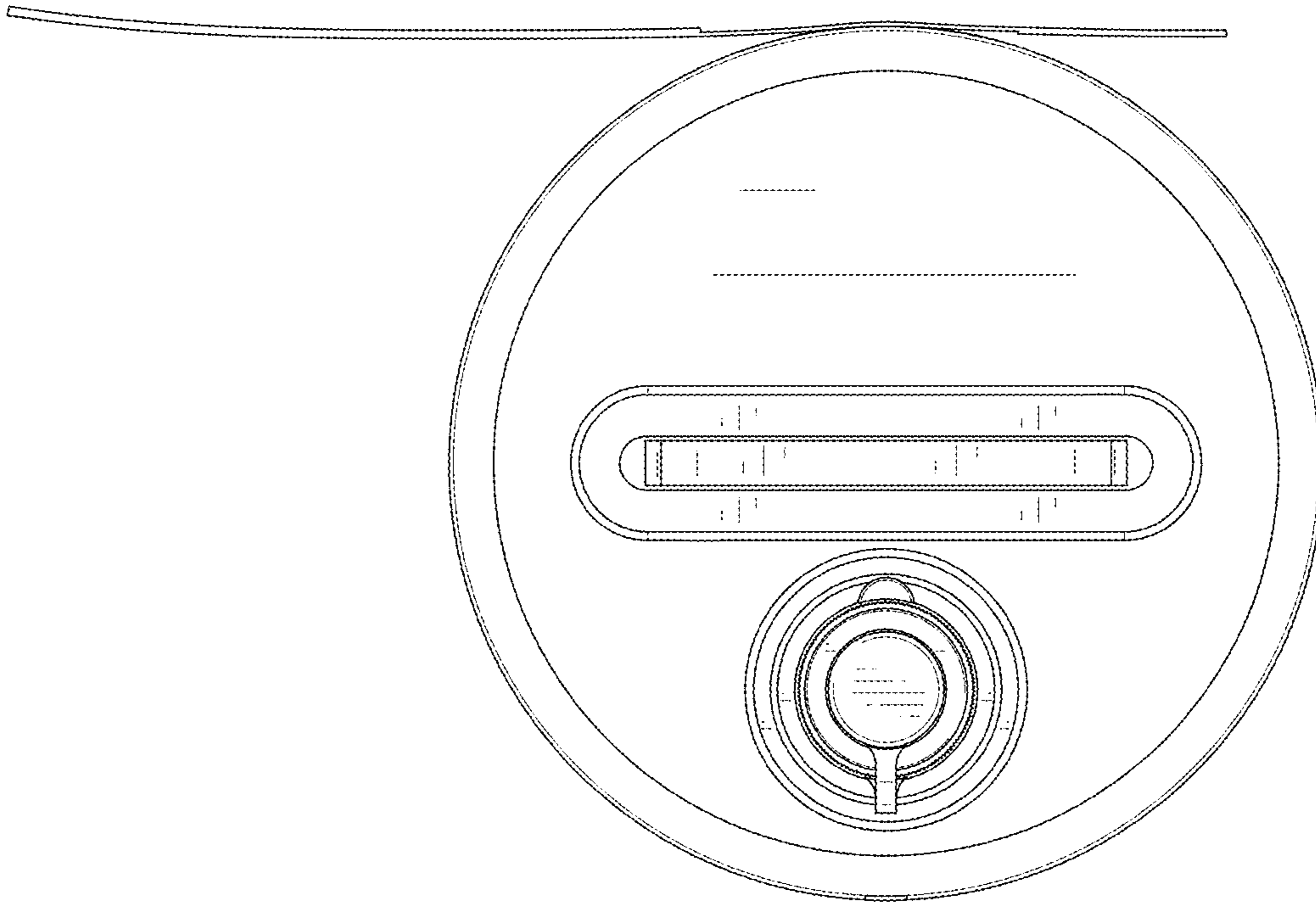


FIG. 7



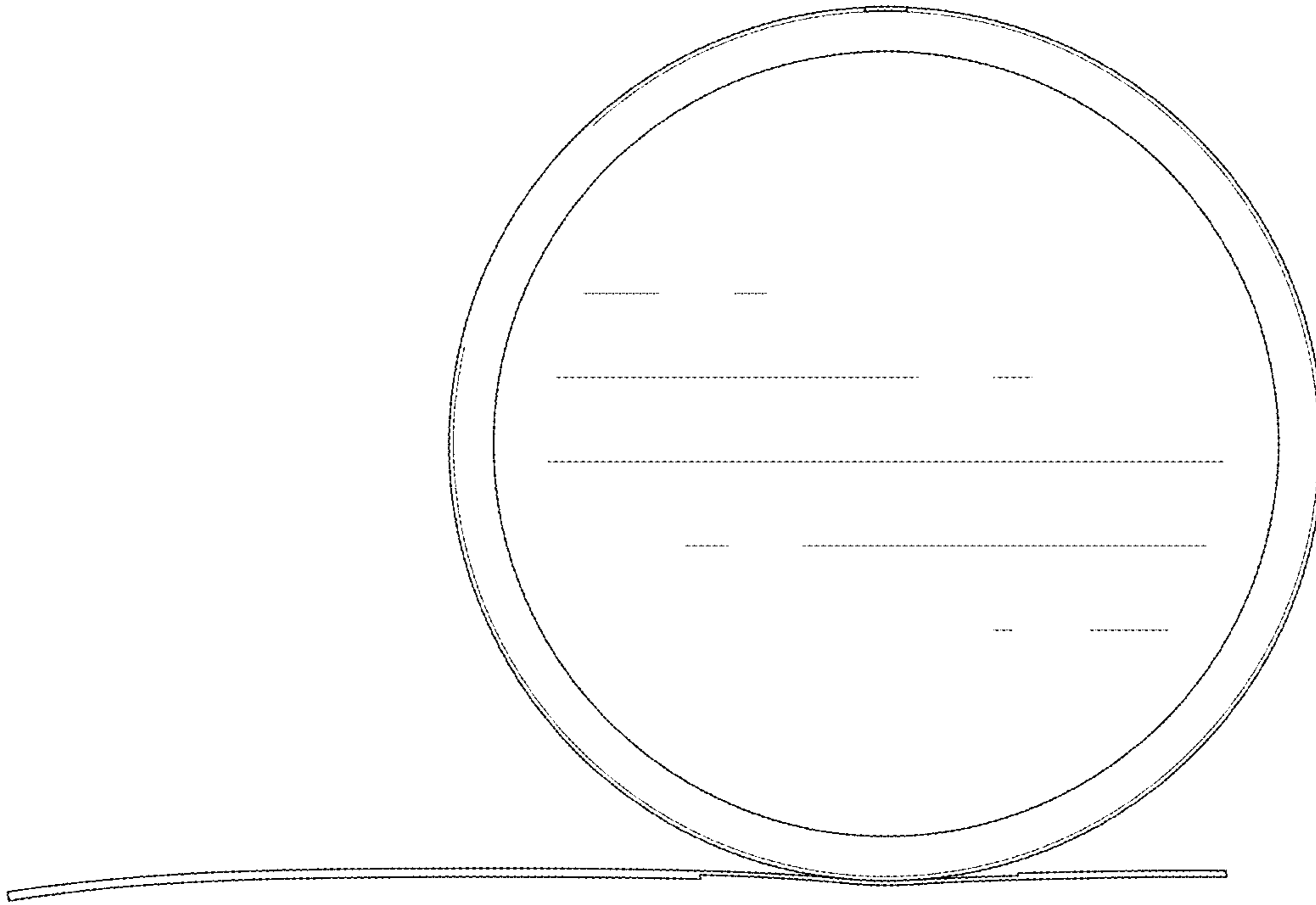


FIG. 8