



US00D977987S

(12) **United States Design Patent** (10) **Patent No.:** **US D977,987 S**
Bouqdir (45) **Date of Patent:** **** Feb. 14, 2023**

(54) **CLOSED COFFEE FILTER BAG**

FOREIGN PATENT DOCUMENTS

(71) Applicant: **Taha Bouqdir**, Singapore (SG)

CN 306711243 * 7/2021
EP 0540999 A1 * 5/1993

(72) Inventor: **Taha Bouqdir**, Singapore (SG)

(Continued)

(**) Term: **15 Years**

OTHER PUBLICATIONS

(21) Appl. No.: **29/772,457**

“Anatomy of Single-Serve Pour Over” (Video) in The Kuju Journal. Date posted: Aug. 22, 2019. Site visited: Sep. 12, 2022. Available online: <https://www.kujucoffee.com/blogs/the-kuju-journal/anatomy-of-single-serve-pour-over-video> (Year: 2019).*

(22) Filed: **Mar. 2, 2021**

(Continued)

(51) **LOC (14) Cl.** **09-05**

(52) **U.S. Cl.**

USPC **D9/707**

(58) **Field of Classification Search**

USPC D9/707, 702, 414, 415, 424, 425, D9/432-433, 503, 504, 715, 737, 756, D9/759, 760, 761; D3/273, 201, 283, D3/284, 286, 295, 903; D7/399, 400, D7/672, 601, 550.1, 553.1, 554.1, 554.3, D7/555, 557, 602, 615, 703, 707; D27/100; D1/102, 100, 199

CPC B65D 11/00; B65D 11/18; B65D 11/10; B65D 81/00; B65D 81/36; B65D 77/10; B65D 77/14; B65D 85/8043; B65D 85/808; B65D 85/8061; B65D 85/8046; B65D 85/812; B65D 31/00; B65D 31/02; B65D 31/04; B65D 31/005; B65D 31/08; B65D 31/10; A47J 31/10; A47J 31/02; A47J 31/06; A47J 31/44

See application file for complete search history.

Primary Examiner — Catherine S Posthauer

Assistant Examiner — Joan E. Diehl

(74) *Attorney, Agent, or Firm* — Collard & Roe, P.C.

(57) **CLAIM**

The ornamental design for a closed coffee filter bag, as shown and described.

DESCRIPTION

FIG. 1 is a perspective view of a closed coffee filter bag; FIG. 2 is a side view of the closed coffee filter bag; FIG. 3 is an opposite side view of the closed coffee filter bag from FIG. 2; FIG. 4 is a right-side view based upon the orientation of FIG. 1; FIG. 5 is a left side view based upon the orientation of FIG. 1; FIG. 6 is a top view based upon the orientation of FIG. 1; and, FIG. 7 is a bottom view based upon the orientation of FIG. 1.

The short broken lines showing of words and arrows are included for the purpose of illustrating portions of the article forming no part of the claimed design. The long broken dashed lines represent perforation/tear lines forming part of the claim.

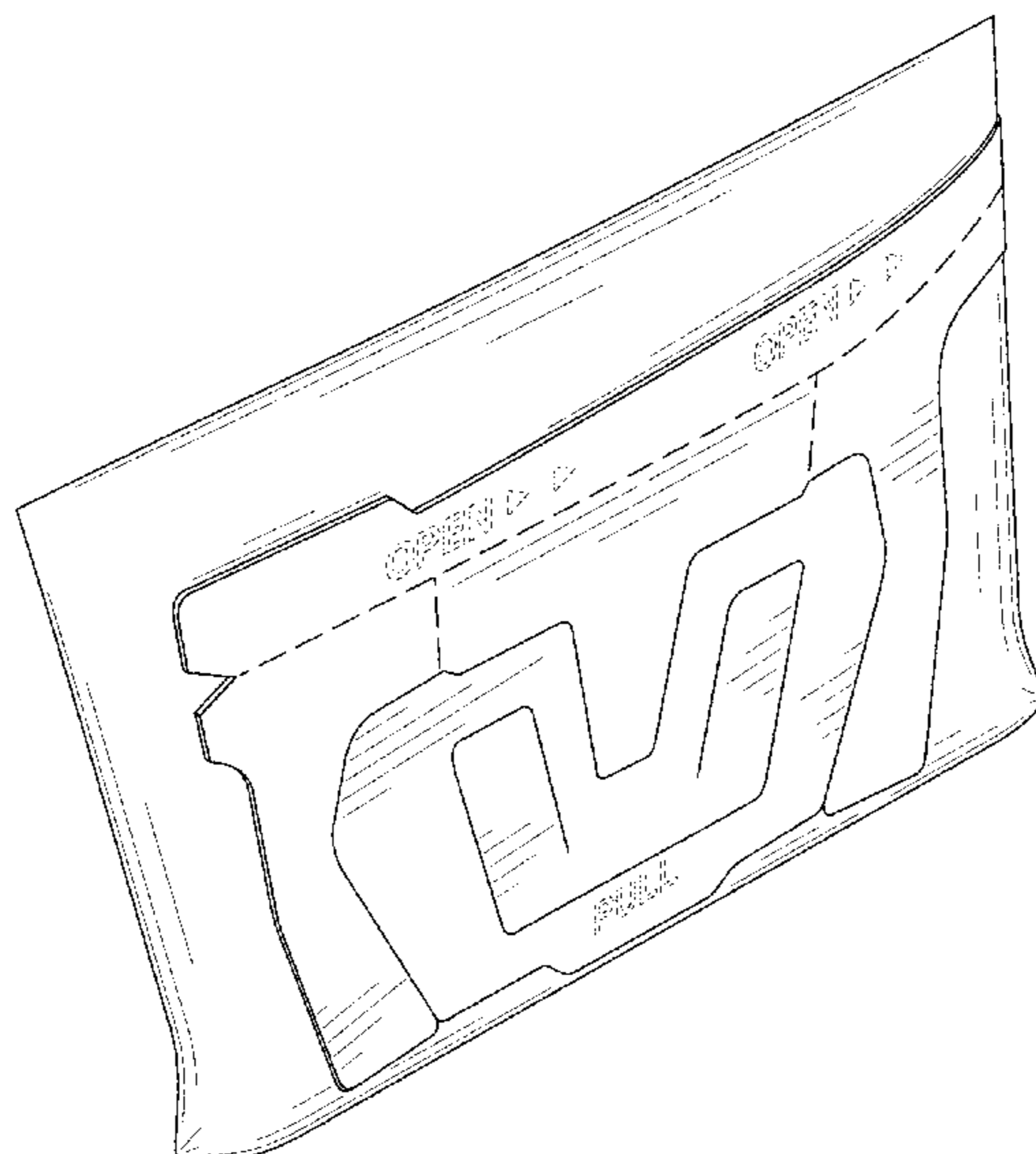
(56) **References Cited**

U.S. PATENT DOCUMENTS

2,805,164 A * 9/1957 Doppler B65D 85/8061 426/77
D298,880 S * 12/1988 Graves D1/102
D499,229 S * 12/2004 Seaward D1/199
D784,607 S * 4/2017 Rushforth D27/100

(Continued)

1 Claim, 5 Drawing Sheets



(56)

References Cited

U.S. PATENT DOCUMENTS

D832,039 S * 10/2018 Gross D7/400
 D941,156 S * 1/2022 Suzuki D9/702
 2019/0029460 A1* 1/2019 Cohen B65D 85/8043
 2019/0313837 A1* 10/2019 Wu A47J 31/02

FOREIGN PATENT DOCUMENTS

EP 1050257 A1 * 11/2000 A47J 31/02
 EP 1419720 A1 * 5/2004 A47J 31/02
 FR 2616083 A1 * 12/1988
 GB 9008017370 * 6/2020
 JP 2001178629 A * 7/2001
 JP 3930029 B2 * 6/2007
 JP 2021109073 A * 8/2021
 SG 30201907190 S 11/2019
 SG 30201907283 P 12/2019
 TW M601586 U * 9/2020

OTHER PUBLICATIONS

One Fresh Cup—Single Serve Pour Over Drip Coffee. Date first available: Sep. 2, 2017. Site visited: Sep. 13, 2022. Available online: https://www.amazon.com/One-Fresh-Cup-Coffee-Brazilian/dp/B06XVZ9VXP/ref=cm_cr_ar_p_d_product_top (Year: 2017).*

Portable Coffee Filter Paper Bag. Date first available: Sep. 24, 2018. Site visited: Sep. 12, 2022. Available online: <https://www.amazon.com/Portable-Hanging-Disposable-Perfect-Camping/dp/B07HMJYP7K> (Year: 2018).*

* cited by examiner

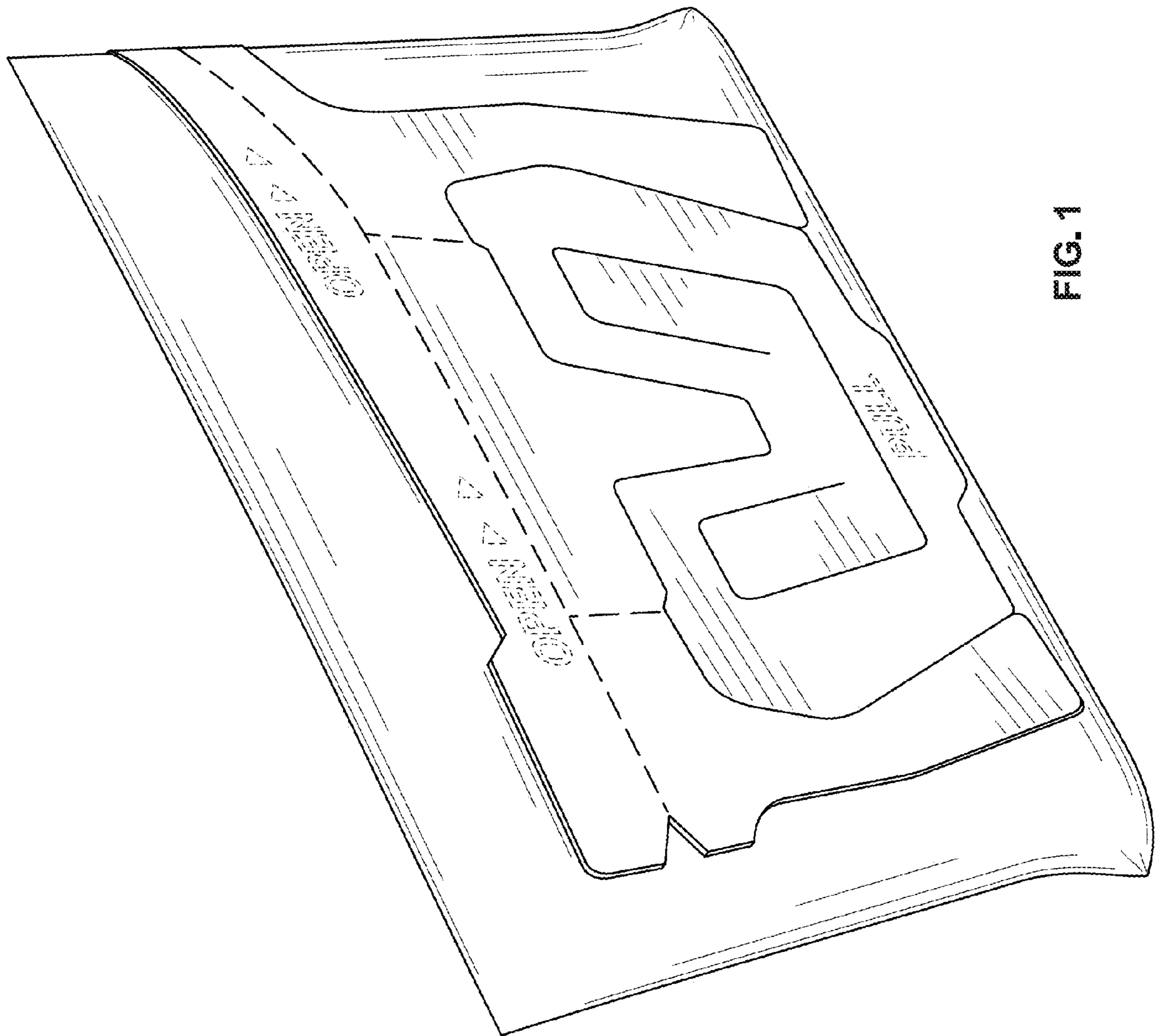


FIG. 1

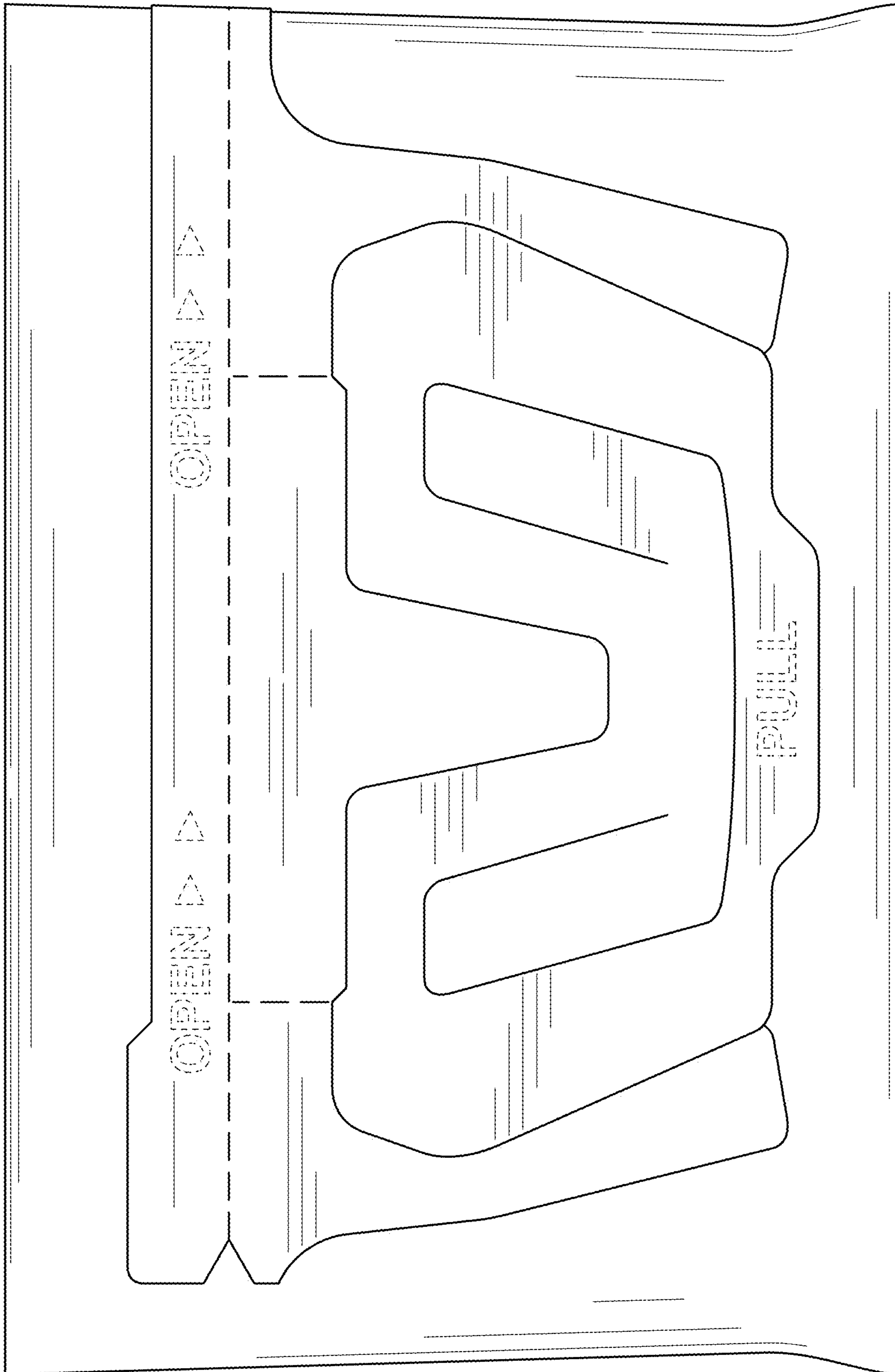


FIG. 2

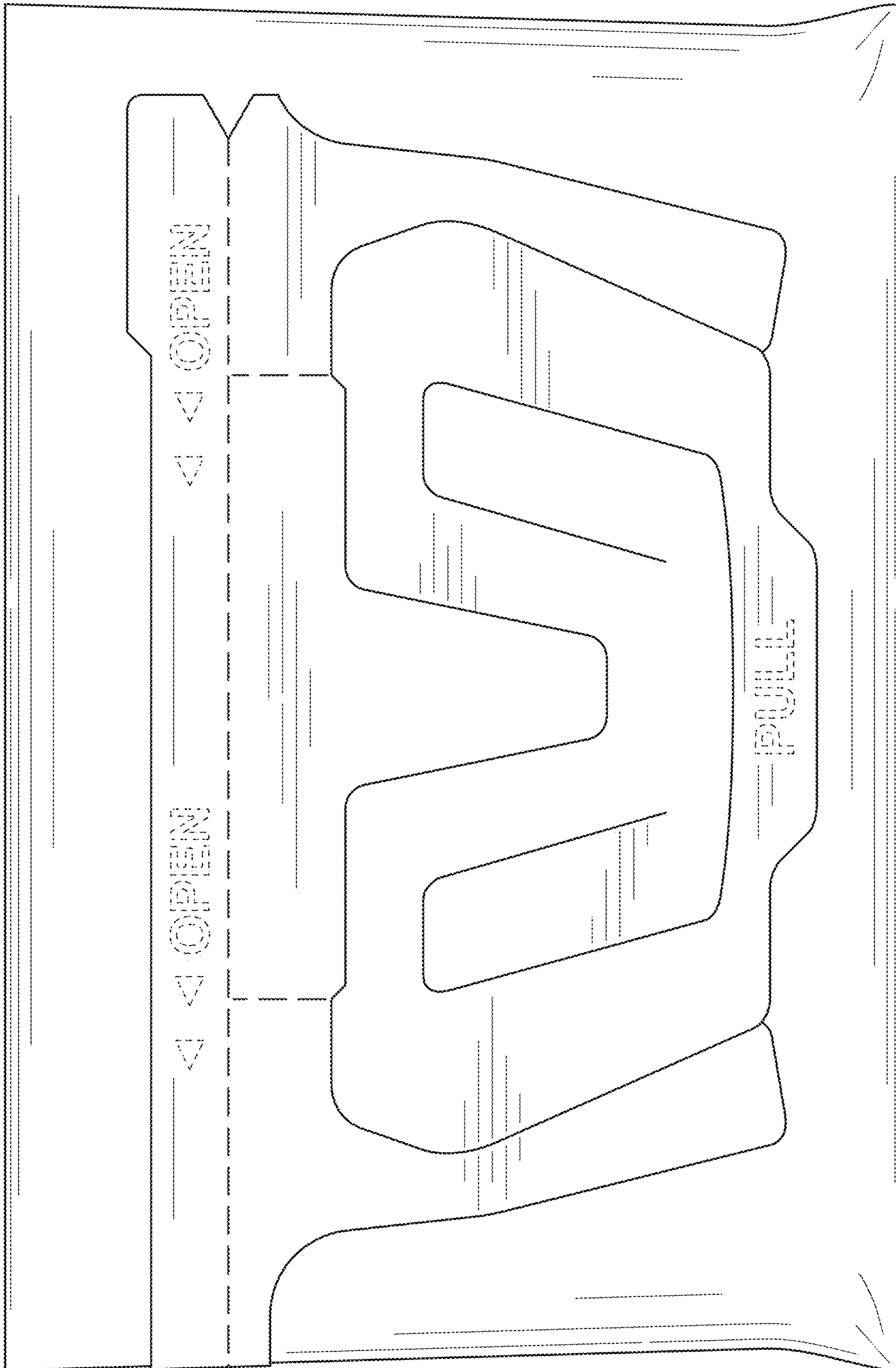


FIG. 3

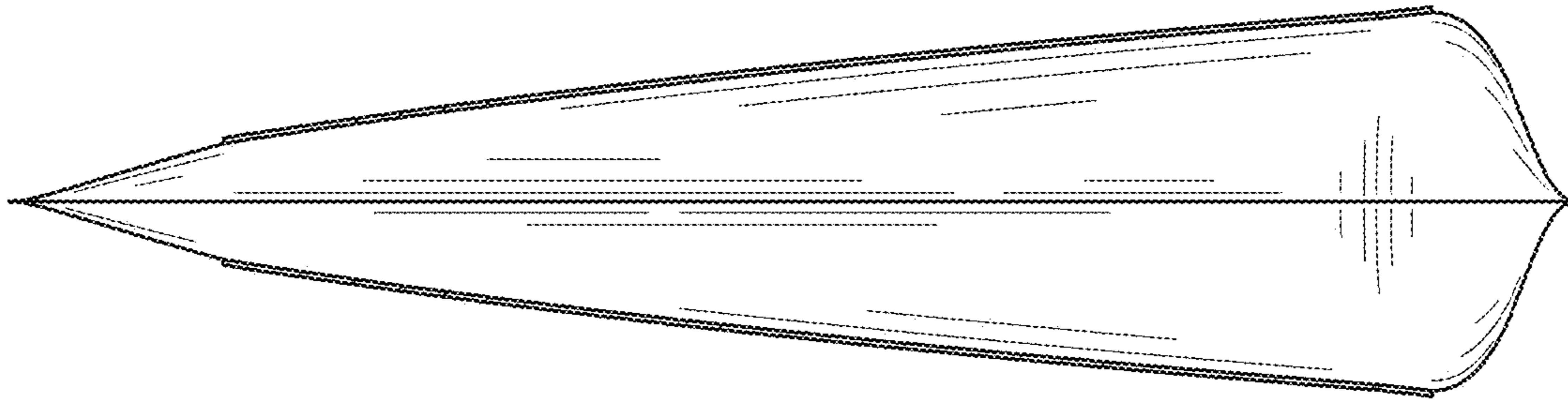


FIG. 5

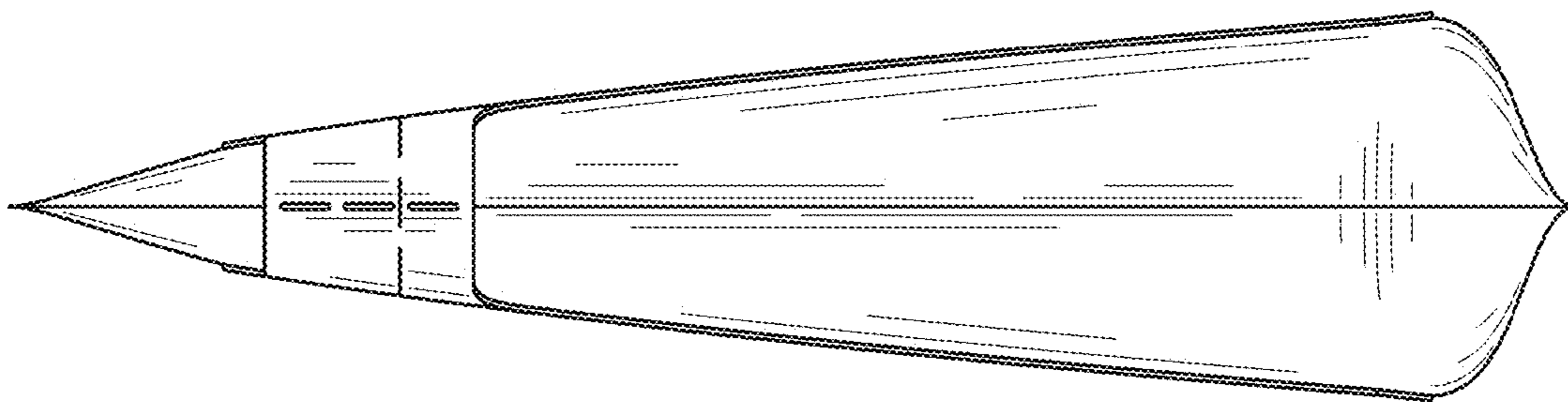


FIG. 4

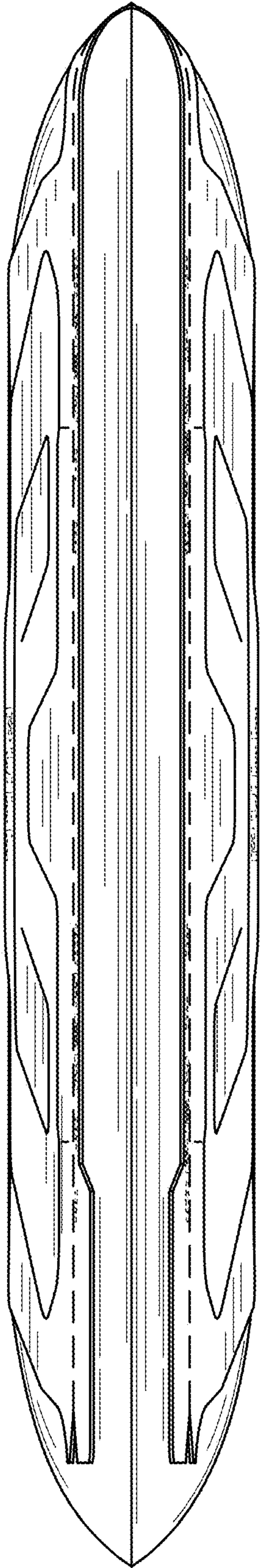


FIG. 6



FIG. 7