



US00D977985S

(12) **United States Design Patent** (10) **Patent No.:** **US D977,985 S**
De Baschmakoff (45) **Date of Patent:** **** Feb. 14, 2023**

(54) **FRAGRANCE BOTTLE**
(71) Applicant: **J. Choo Limited**, London (GB)
(72) Inventor: **Thierry De Baschmakoff**, Paris (FR)
(73) Assignee: **J. Choo Limited**, London (GB)
(**) Term: **15 Years**
(21) Appl. No.: **29/714,028**
(22) Filed: **Nov. 20, 2019**

D351,991 S * 11/1994 Bertolini D9/558
D372,200 S * 7/1996 Lathrop D9/558
D372,873 S * 8/1996 Lathrop D9/558
D375,051 S * 10/1996 Lathrop D9/545
D444,707 S * 7/2001 Endline D9/516
D480,651 S * 10/2003 Hall D9/550

(Continued)

FOREIGN PATENT DOCUMENTS

CN 302296629 * 1/2013
CN 302952696 * 1/2014

(Continued)

OTHER PUBLICATIONS

Amazon.com_ Jimmy Choo Jimmy Choo Urban Hero https://www.amazon.com/Jimmy-Choo-Urban-Hero-Parfum/dp/B07W2Y9G55/ref=sr_1_1?crd=18F14P2VIZG8P&keywords=jimmy+choo+urban+hero&qid=1669149975&s=beauty&sprefix=jimmy+choo+urban+hero%2Cbeauty%2C76&sr=1-1 Dec. 10, 2019 (Year: 2019).*

Primary Examiner — Leanne Was-Englehart
(74) *Attorney, Agent, or Firm* — Fross Zelnick Lehrman & Zissu, P.C.; Lawrence E. Apolzon, Esq.

(30) **Foreign Application Priority Data**
Aug. 29, 2019 (EM) 006781902-0003
Aug. 29, 2019 (EM) 006781902-0004
Aug. 29, 2019 (GB) 90067819020003
Aug. 29, 2019 (GB) 90067819020004
(51) **LOC (14) Cl.** **09-01**
(52) **U.S. Cl.**
USPC **D9/690**
(58) **Field of Classification Search**
USPC D9/682-694, 516-575, 723-729, 435,
D9/436, 439, 440, 445, 448, 452-454;
D28/76-91.1
CPC .. A45D 34/00; A45D 34/02; A45D 2034/005;
A45D 2034/007; A45D 2200/051-057;
B05B 11/00-3098; B65D 83/14; B65D
83/16; B65D 83/20; B65D 83/205; B65D
83/206; B65D 83/207; B65D 83/22;
B65D 83/40; B65D 83/38
See application file for complete search history.

(57) **CLAIM**

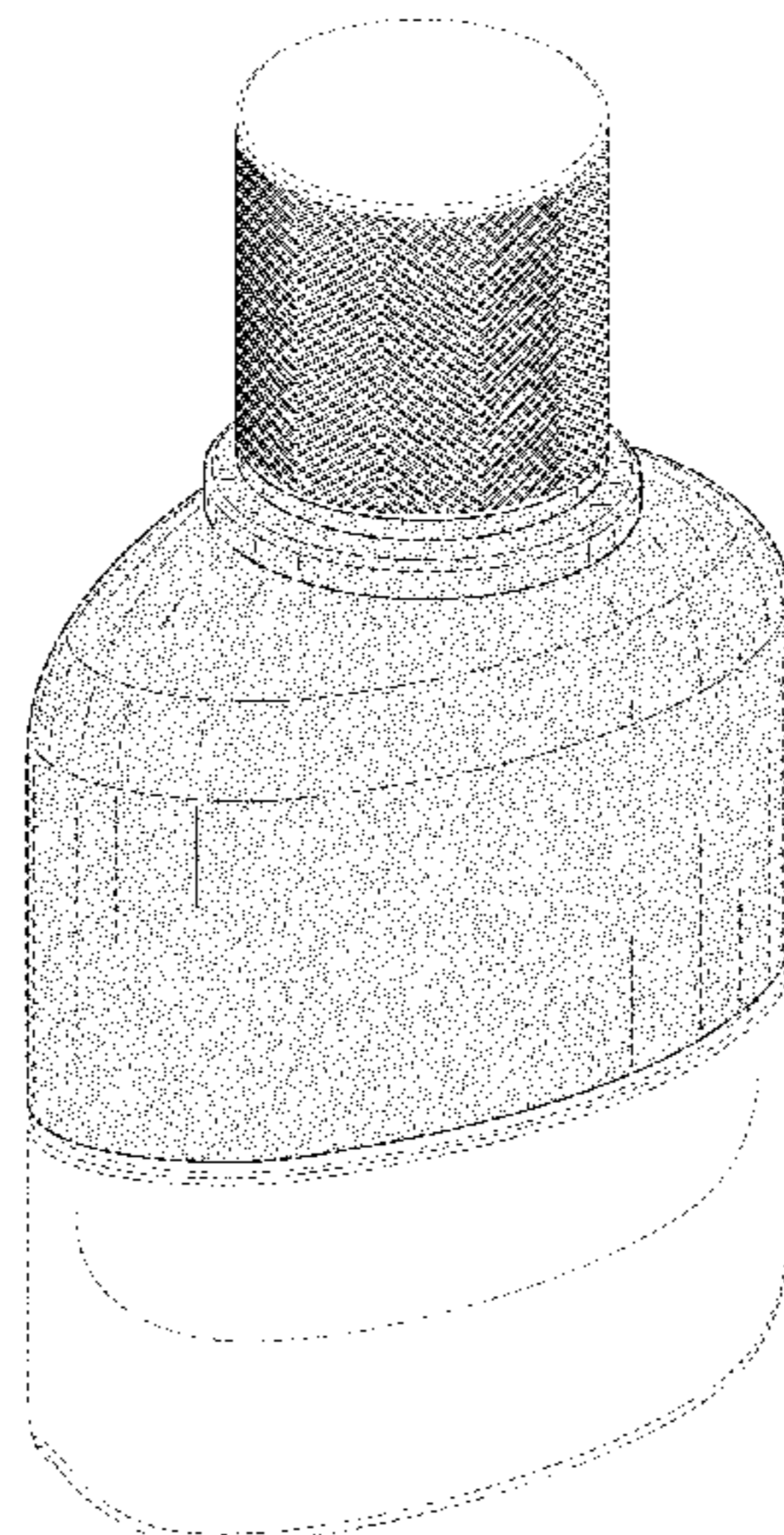
The ornamental design for a fragrance bottle, as shown and described.

DESCRIPTION

FIG. 1 is a front perspective view of a fragrance bottle showing my new design;
FIG. 2 is a front view thereof;
FIG. 3 is a back view thereof;
FIG. 4 is a left side view thereof;
FIG. 5 is right-side view thereof;
FIG. 6 is a top view thereof;
FIG. 7 is a bottom view thereof; and,
FIG. 8 is an exploded front perspective view thereof.
The broken lines depict the portions of the fragrance bottle that form no part of the claimed design.

1 Claim, 6 Drawing Sheets

(56) **References Cited**
U.S. PATENT DOCUMENTS
D145,661 S * 10/1946 Derham D9/453
D207,882 S * 6/1967 Coultburst D9/522
D232,158 S * 7/1974 Luedtke D9/542
D256,094 S * 7/1980 Friso D9/558
D256,886 S * 9/1980 DiScala D9/529
D330,516 S * 10/1992 Cavazza D9/571



(56)

References Cited

U.S. PATENT DOCUMENTS

D480,975	S	*	10/2003	de Baschmakoff	D9/563
D536,259	S	*	2/2007	Herrmann	D9/573
D653,556	S	*	2/2012	Arcos Bellvehi	D9/575
D747,214	S	*	1/2016	De Baschmakoff	D9/566
D756,234	S	*	5/2016	Orset	D9/560
D758,862	S	*	6/2016	Eisen	D9/500
D792,228	S	*	7/2017	de Baschmakoff	D9/522
D826,058	S	*	8/2018	Pel	D9/558
D826,060	S	*	8/2018	Pel	D9/550
D852,051	S	*	6/2019	Jack	D9/563
D942,857	S	*	2/2022	De Baschmakoff	D9/452
2006/0144855	A1	*	7/2006	Von Schuckmann	
						B05B 11/00412
						222/95

FOREIGN PATENT DOCUMENTS

CN	302972249	*	10/2014
EM	000018957-0004	*	10/2003
EM	001918954-0001	*	2/2012
EM	002684977-0002	*	10/2015
EM	003389568-0003	*	10/2016
EM	003877653-0021	*	5/2017
EM	004132934-0001	*	8/2017
GB	9006781902-0003	*	8/2019
GB	9006781902-0004	*	8/2019

* cited by examiner

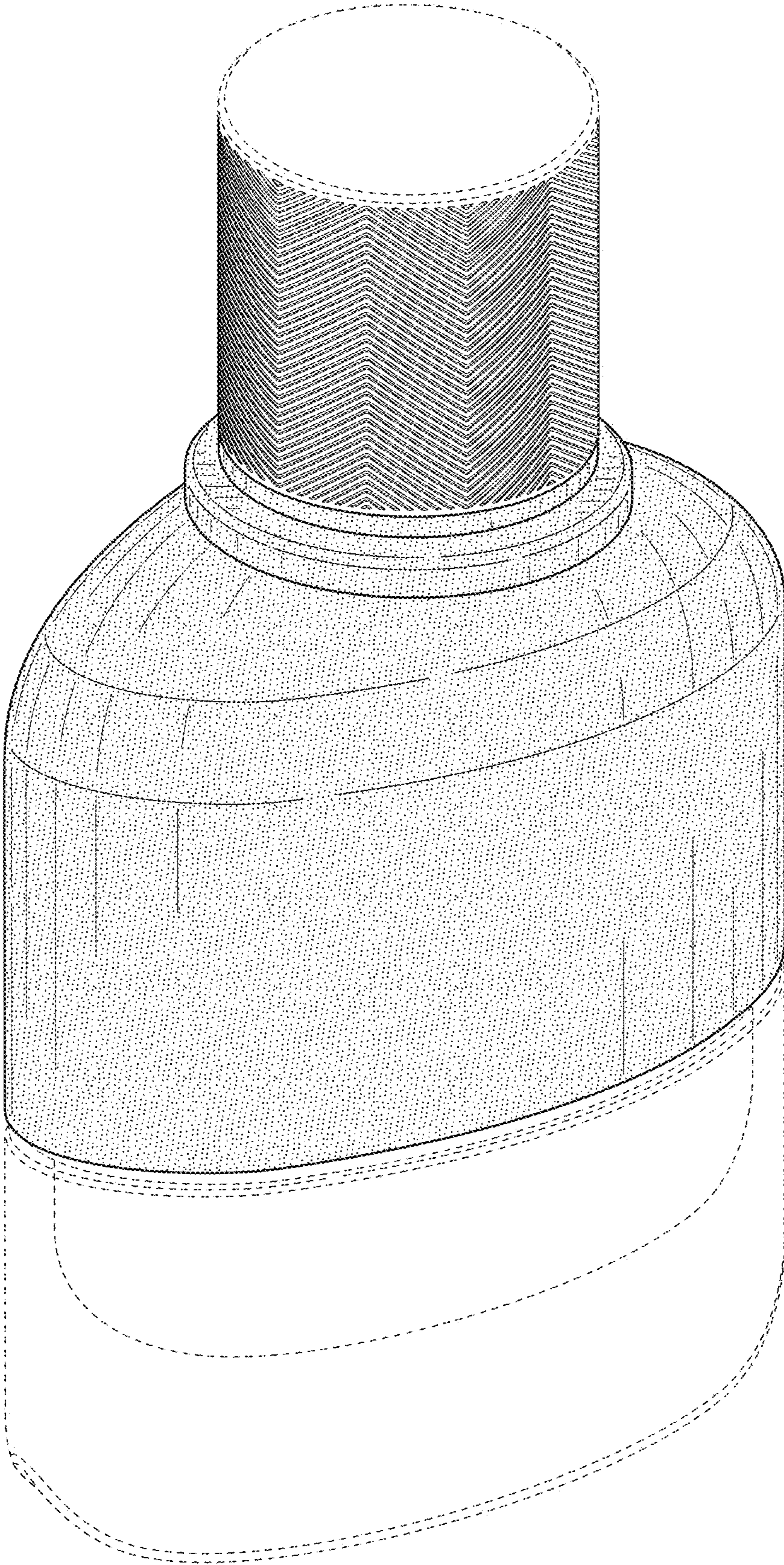


FIG. 1

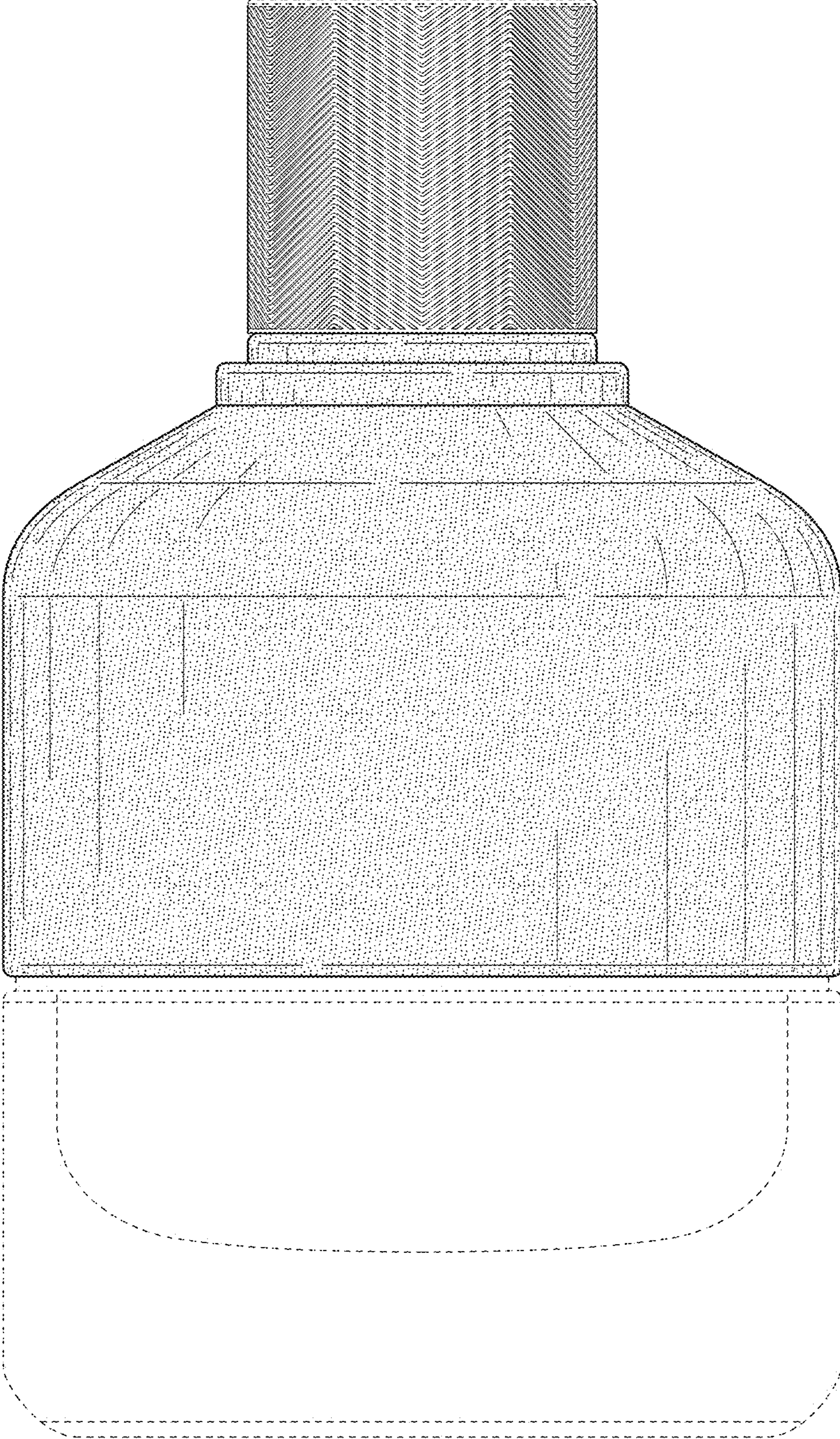


FIG. 2

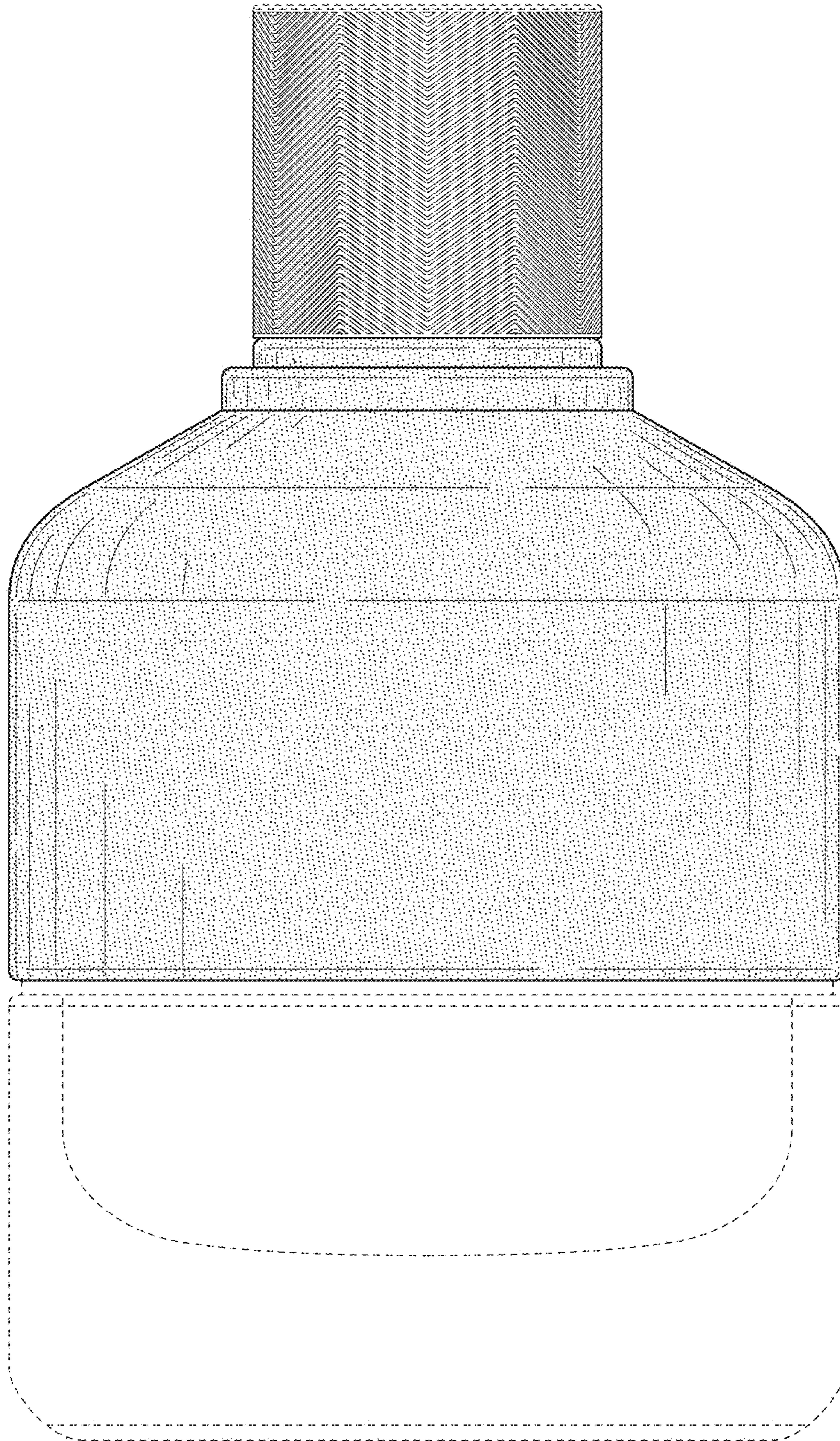


FIG. 3

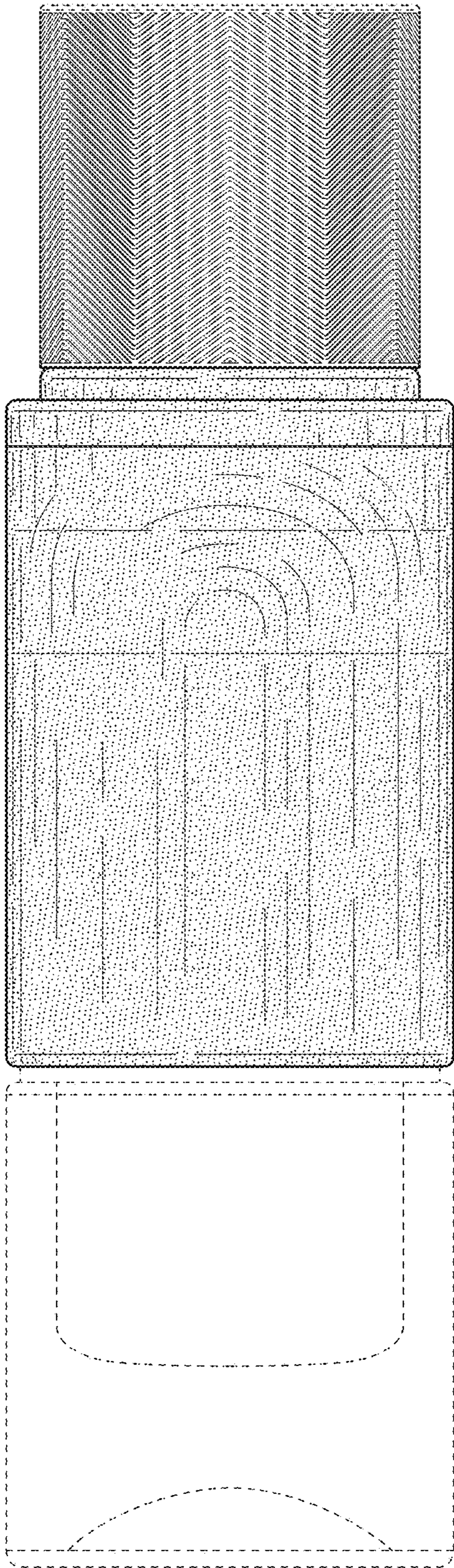


FIG. 4

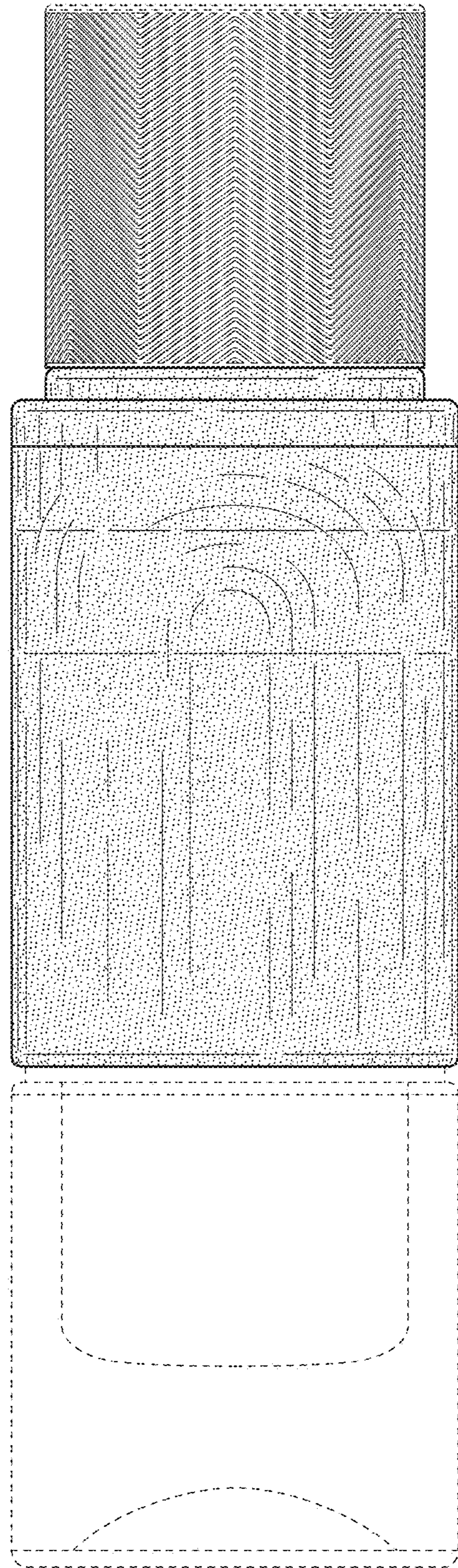


FIG. 5

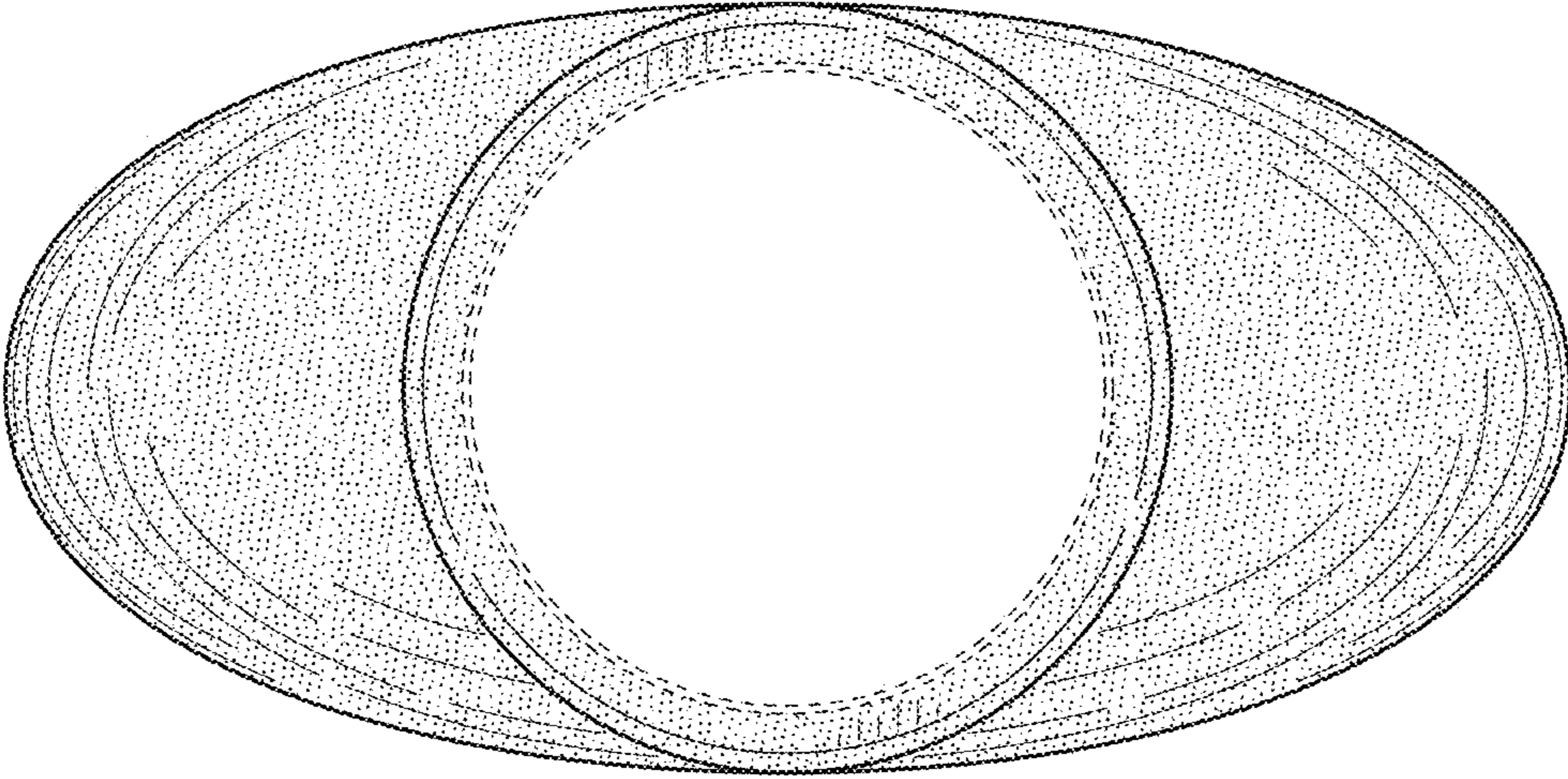


FIG. 6

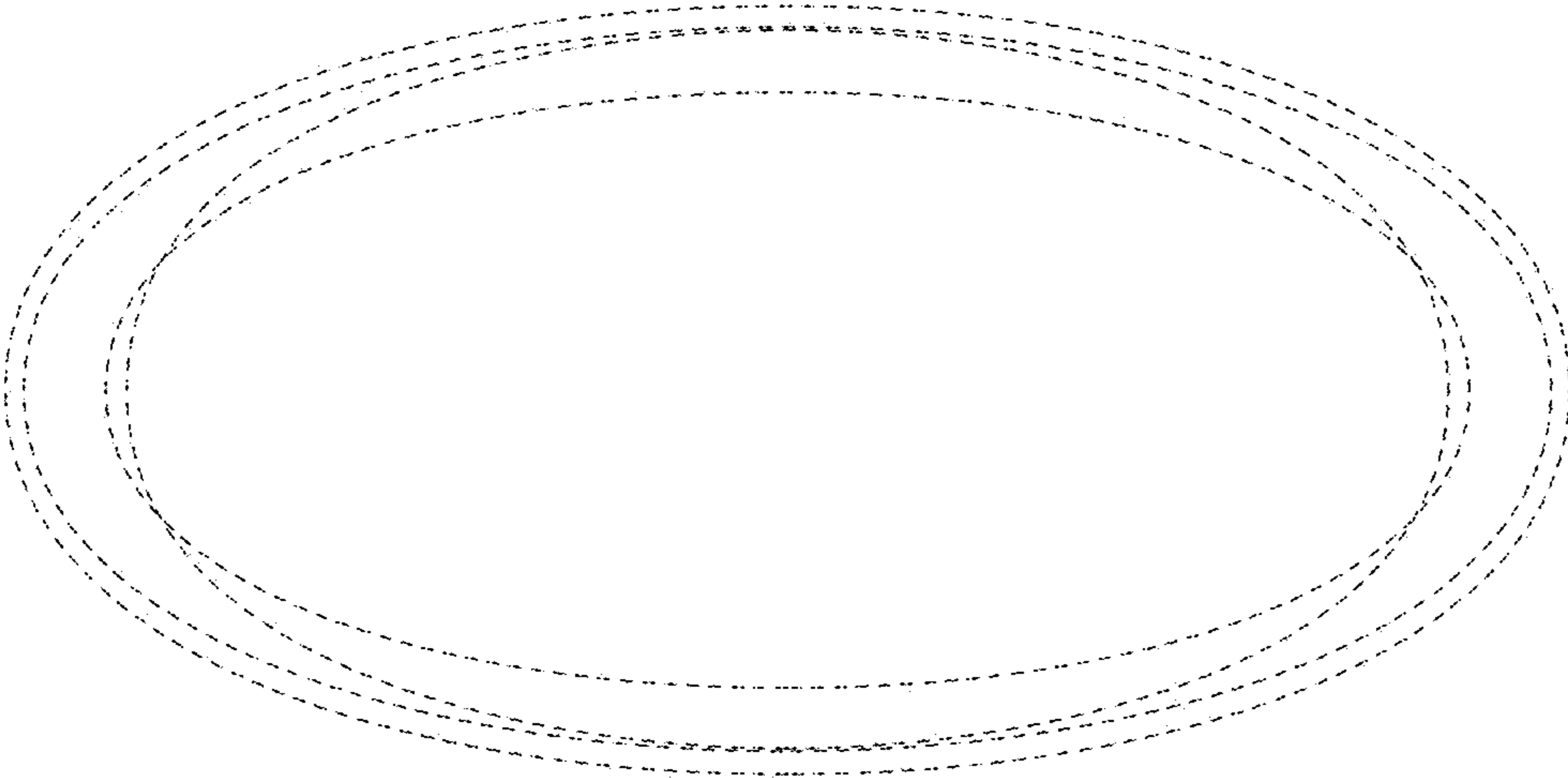


FIG. 7

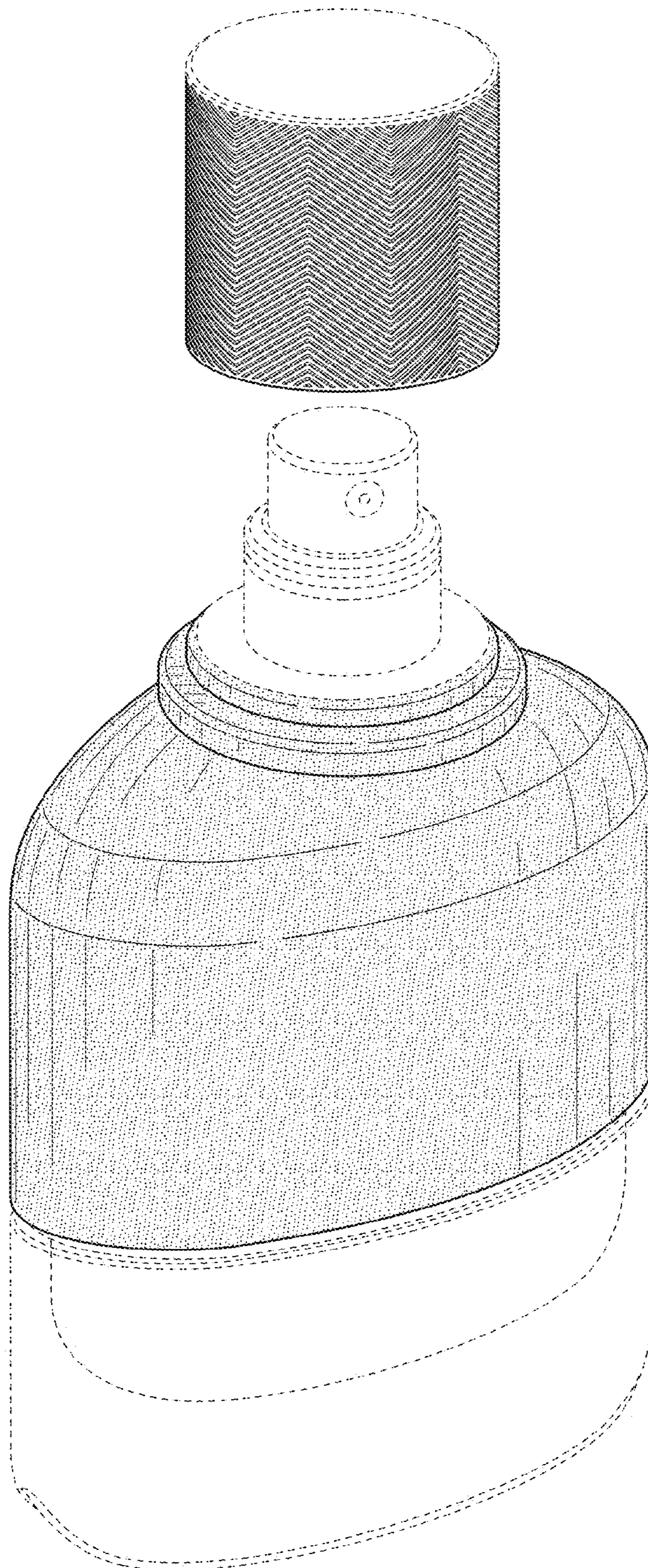


FIG. 8