



US00D977978S

(12) **United States Design Patent**
Gruzelier et al.

(10) **Patent No.:** **US D977,978 S**

(45) **Date of Patent:** **** Feb. 14, 2023**

(54) **BOTTLE**

(71) Applicant: **The Procter & Gamble Company**,
Cincinnati, OH (US)

(72) Inventors: **Julian Richard John Gruzelier**, Vaud
(CH); **Gillian Meredith Anne Haro**,
Amsterdam (NL); **Brett Tom**,
Richmond, CA (US); **Wei Gu**,
Singapore (SG); **Reid Andersen**
Schlegel, Brooklyn, NY (US); **Danvu**
Nam Nguyen, San Francisco, CA (US);
Calvin Shenghuai Lin, Singapore
(SG); **Longfei Zhang**, Singapore (SG)

(73) Assignee: **The Procter & Gamble Company**,
Cincinnati, OH (US)

(**) Term: **15 Years**

(21) Appl. No.: **29/730,040**

(22) Filed: **Mar. 31, 2020**

(51) **LOC (14) Cl.** **09-01**

(52) **U.S. Cl.**
USPC **D9/523**; D9/571; D9/694

(58) **Field of Classification Search**
USPC D9/434–435, 439, 447, 449, 450,
D9/452–454, 516, 523, 524, 528–531,
(Continued)

(56) **References Cited**

U.S. PATENT DOCUMENTS

D95,672 S * 5/1935 Fuerst D9/563
D357,866 S * 5/1995 Beier-Rosetti D9/523
(Continued)

FOREIGN PATENT DOCUMENTS

CN 306743842 S 10/2021
WO D042090-001 * 11/1997

OTHER PUBLICATIONS

Colgate Peroxyl Mouth Sore Rinse Mild Mint—16.9 Fl Oz (Pack of
2) Online, published date Dec. 4, 2018. Retrieved on Jul. 29, 2022
from URL: <https://www.amazon.com/Colgate-Peroxyl-Mouth-Sore-Rinse/dp/B081HWGPT7>.*

(Continued)

Primary Examiner — Jae Liang

Assistant Examiner — Royner Mendoza

(74) *Attorney, Agent, or Firm* — Linda M. Sivik

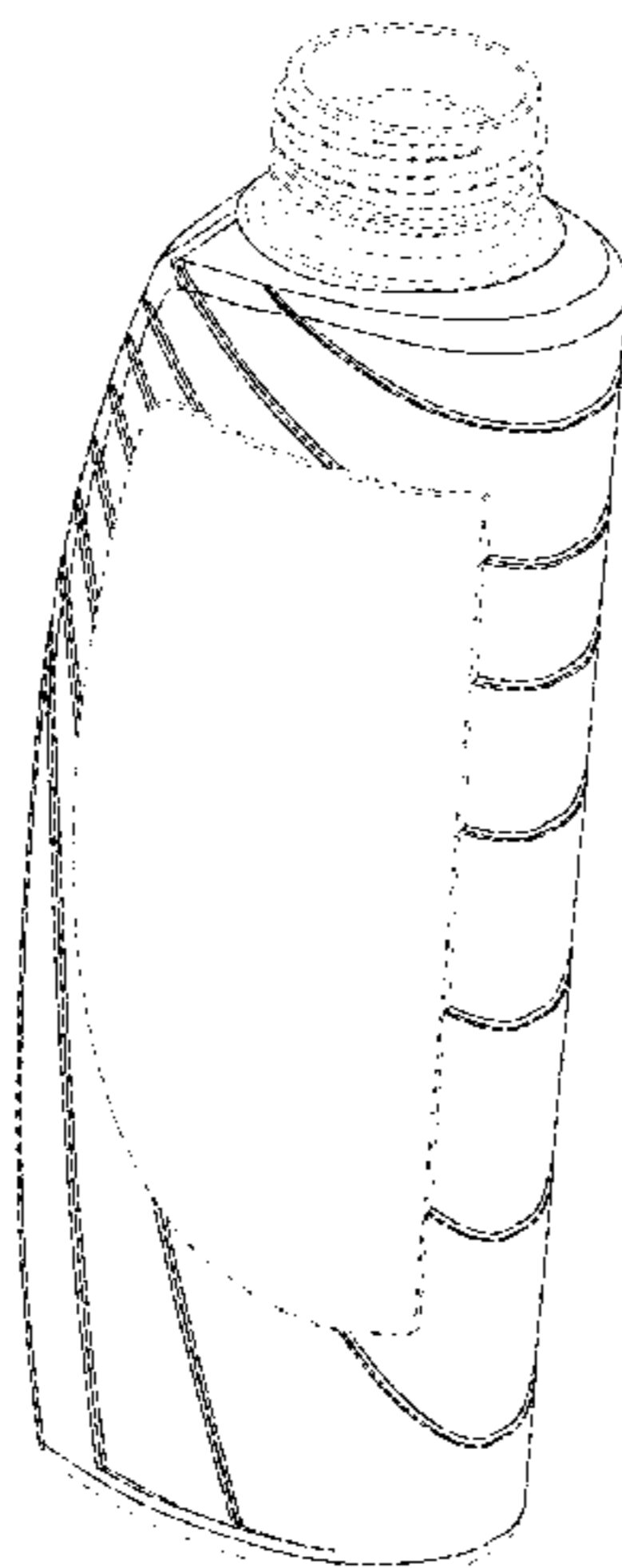
(57) **CLAIM**

The ornamental design for a bottle, as shown and described.

DESCRIPTION

FIG. 1 is a front perspective view of a bottle, embodying our new design according to a first embodiment;
FIG. 2 is a back perspective view thereof;
FIG. 3 is a front view thereof;
FIG. 4 is a back view thereof;
FIG. 5 is a first side view thereof;
FIG. 6 is a second side thereof;
FIG. 7 is a top view thereof; and
FIG. 8 is a bottom view thereof;
FIG. 9 is a front perspective view of a bottle, embodying our new design according to a second embodiment;
FIG. 10 is a back perspective view thereof;
FIG. 11 is a front view thereof;
FIG. 12 is a back view thereof;
FIG. 13 is a first side view thereof;
FIG. 14 is a second side thereof;
FIG. 15 is a top view thereof; and
FIG. 16 is a bottom view thereof.
FIG. 17 is a perspective view of a bottle, embodying our new design according to a third embodiment;
FIG. 18 is a front view thereof;
FIG. 19 is a back view thereof;
FIG. 20 is a first side view thereof;
FIG. 21 is a second side view thereof;
FIG. 22 is a top view thereof;
FIG. 23 is a bottom view thereof; and
FIG. 24 is a perspective view of a bottle, embodying our new design according to a fourth embodiment;
FIG. 25 is a front view thereof;
FIG. 26 is a back view thereof;
FIG. 27 is a first side view thereof;
FIG. 28 is a second side view thereof;
FIG. 29 is a top view thereof; and,
FIG. 30 is a bottom view thereof.

(Continued)



The bottle disclosed may be made from or include any suitable material and all or any portions thereof can be transparent, translucent, or opaque.

The broken lines shown in the drawings depict portions of the bottle that form no part of the claimed design.

1 Claim, 20 Drawing Sheets

(58) **Field of Classification Search**

USPC D9/541-544, 549-551, 558-560, 563, D9/565, 566, 571-575, 605, 611, 626, D9/632, 645, 649, 682, 686, 687, 693, D9/694, 715, 719; D7/509, 619.1; D3/202

CPC B65D 1/46; B65D 1/0223; B65D 21/0202; B65D 21/0205; B65D 23/00; B65D 23/0864; B65D 23/102; B65D 71/508; B65D 2501/0027; B65D 2501/0045; B65D 2501/0081; Y10T 428/13; Y10T 428/139; Y10T 428/1352

See application file for complete search history.

(56) **References Cited**

U.S. PATENT DOCUMENTS

D357,867 S *	5/1995	Beier-Rosetti	D9/523
D357,868 S *	5/1995	Beier-Rosetti	D9/523
D449,534 S *	10/2001	LeCoule	D9/516
D508,407 S *	8/2005	Busch	D9/563
D531,906 S	11/2006	Mongeon et al.	
D533,066 S	12/2006	Mongeon et al.	
D578,892 S	10/2008	Bridgman et al.	
D583,254 S	12/2008	Odonahue	
D586,219 S *	2/2009	Bridgman	D9/571
D586,220 S	2/2009	Bridgman et al.	
D587,121 S *	2/2009	Mongeon	D9/521
D589,806 S *	4/2009	Snyder	D9/523
D590,719 S *	4/2009	Zwolbar	D9/558
D601,035 S *	9/2009	Rangaswamy	D9/694

D614,494 S	4/2010	Palmer et al.	
D642,061 S *	7/2011	Bowers	D9/543
D643,731 S *	8/2011	Booth	D9/570
D643,736 S	8/2011	Lagerqvist	
D649,465 S *	11/2011	Oates	D9/521
D656,832 S	4/2012	Bowers et al.	
D714,654 S	10/2014	Faillant	
D726,500 S	4/2015	Ke	
D732,962 S *	6/2015	Hawry	D9/523
D775,527 S *	1/2017	Blachford	D9/523
D784,148 S *	4/2017	Toh	D9/558
D796,264 S	9/2017	Bo	
D808,727 S	1/2018	Bo	
D813,679 S	3/2018	Bos et al.	
D814,303 S *	4/2018	Ascherl	D9/523
D815,910 S	4/2018	Bo	
D824,772 S *	8/2018	Serrano	D9/569
D826,723 S *	8/2018	Rhodes	D9/558
D844,448 S	4/2019	Miller et al.	
D848,851 S	5/2019	Sullivan	
D852,635 S	7/2019	Dammers	
D853,793 S	7/2019	Bo	
D879,615 S	3/2020	Young	
D881,648 S	4/2020	Xue	
D895,432 S	9/2020	Yoshioka	
D898,578 S	10/2020	McGreevy	
D920,801 S *	6/2021	Davis	D9/563
D920,802 S *	6/2021	Davis	D9/571
D920,804 S *	6/2021	Davis	D9/686
D921,434 S	6/2021	Chiaradia et al.	
D944,089 S *	2/2022	Davis	D9/571
D953,116 S	5/2022	Zhong	
D955,886 S *	6/2022	Ng	D9/563
D958,665 S	7/2022	Bogert et al.	
2021/0206141 A1	7/2021	Neufarth et al.	

OTHER PUBLICATIONS

All Office Actions; U.S. Appl. No. 29/730,029, filed Mar. 31, 2020.
 All Office Actions; U.S. Appl. No. 29/760,131, filed Nov. 30, 2020.
 U.S. Appl. No. 29/730,029, filed Mar. 31, 2020, Julian Richard John Gruzelier et al.
 U.S. Appl. No. 29/760,131, filed Nov. 30, 2020, Li Mei Ng et al.

* cited by examiner

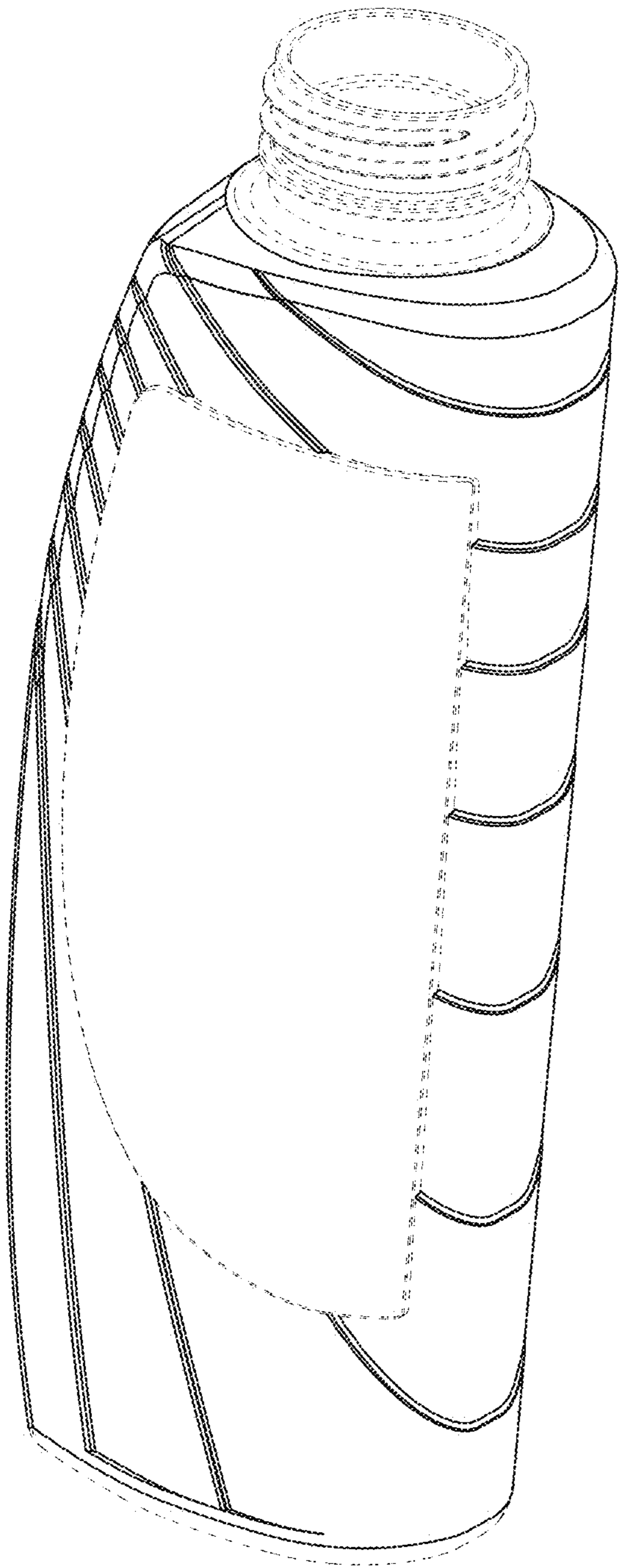


FIG. 1

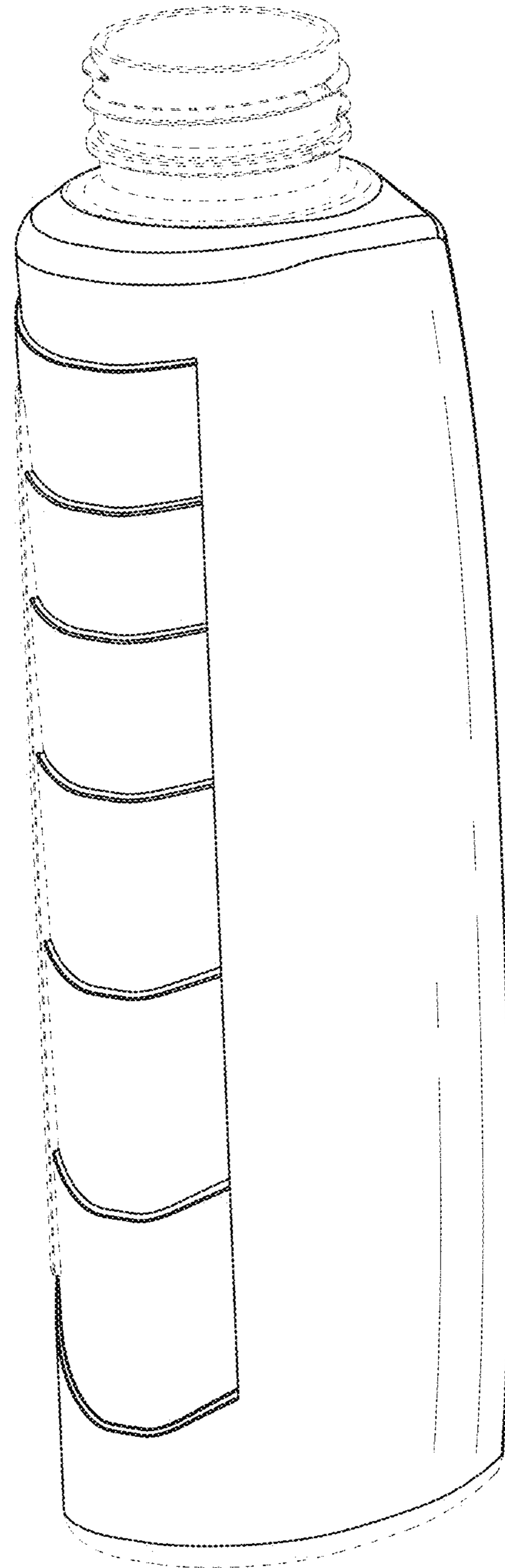


FIG. 2

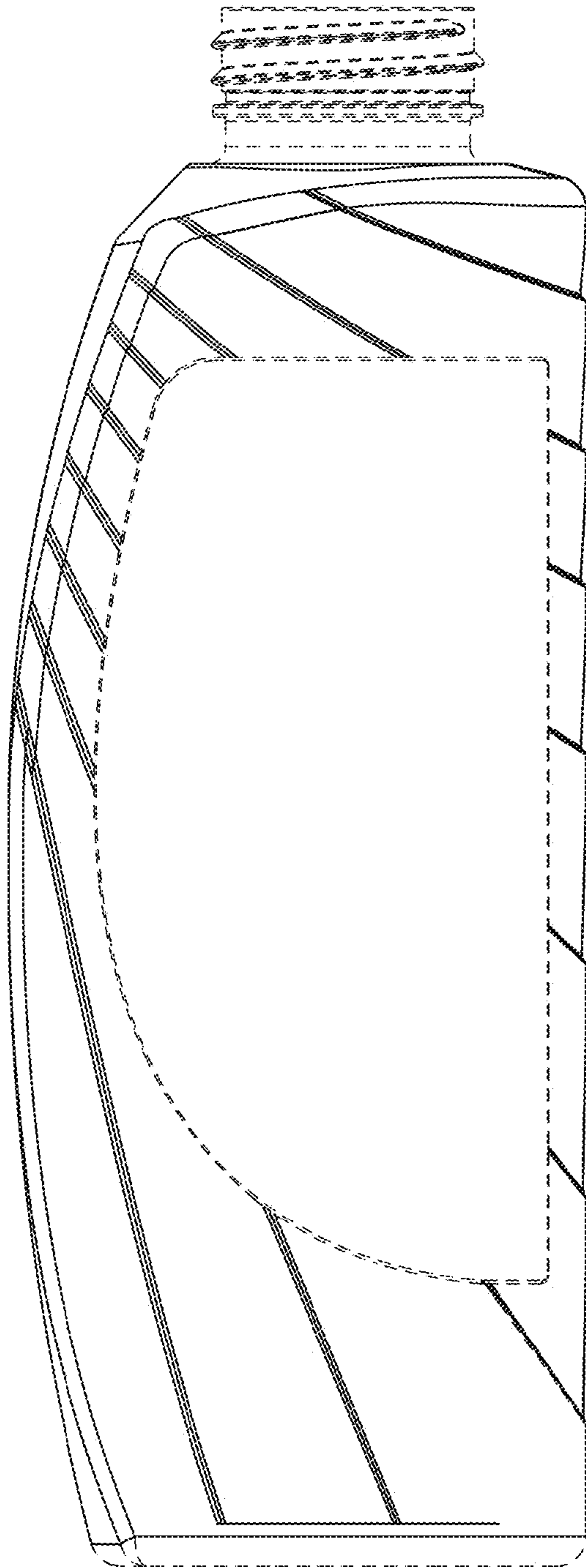


FIG. 3

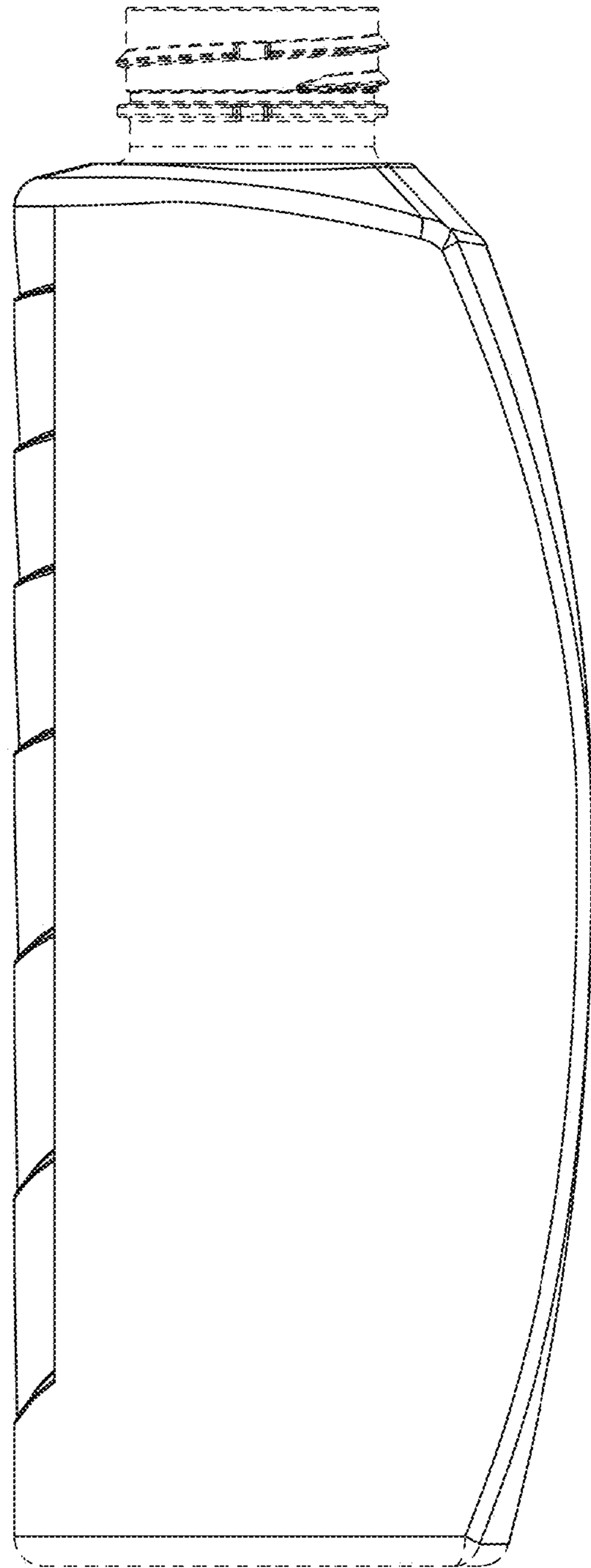


FIG. 4

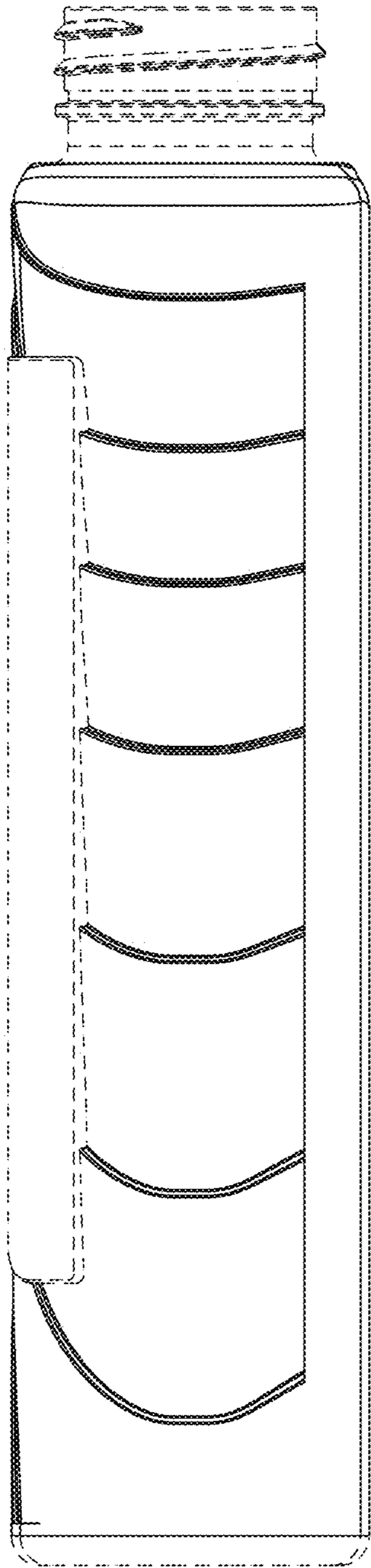


FIG. 5

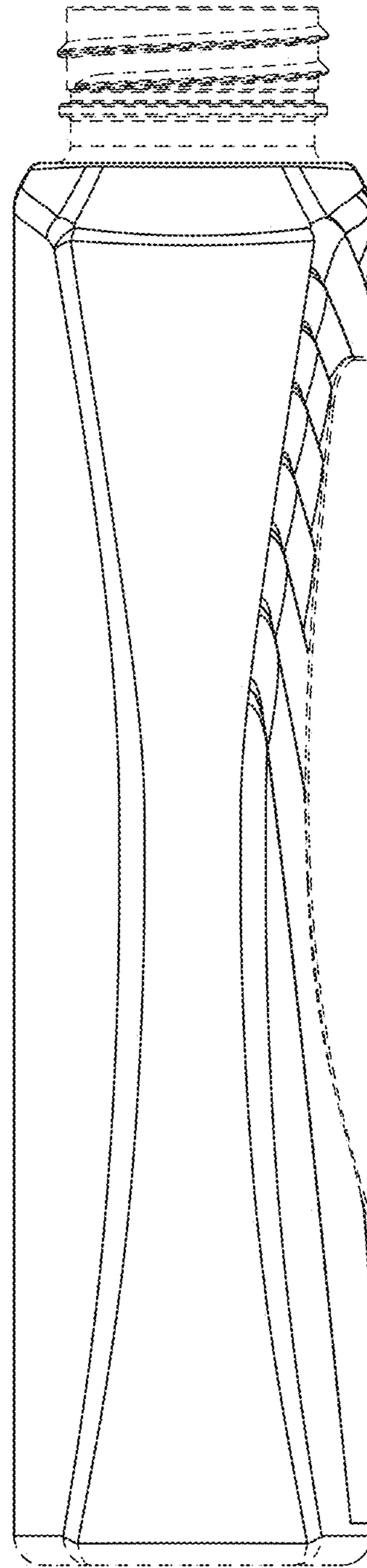


FIG. 6

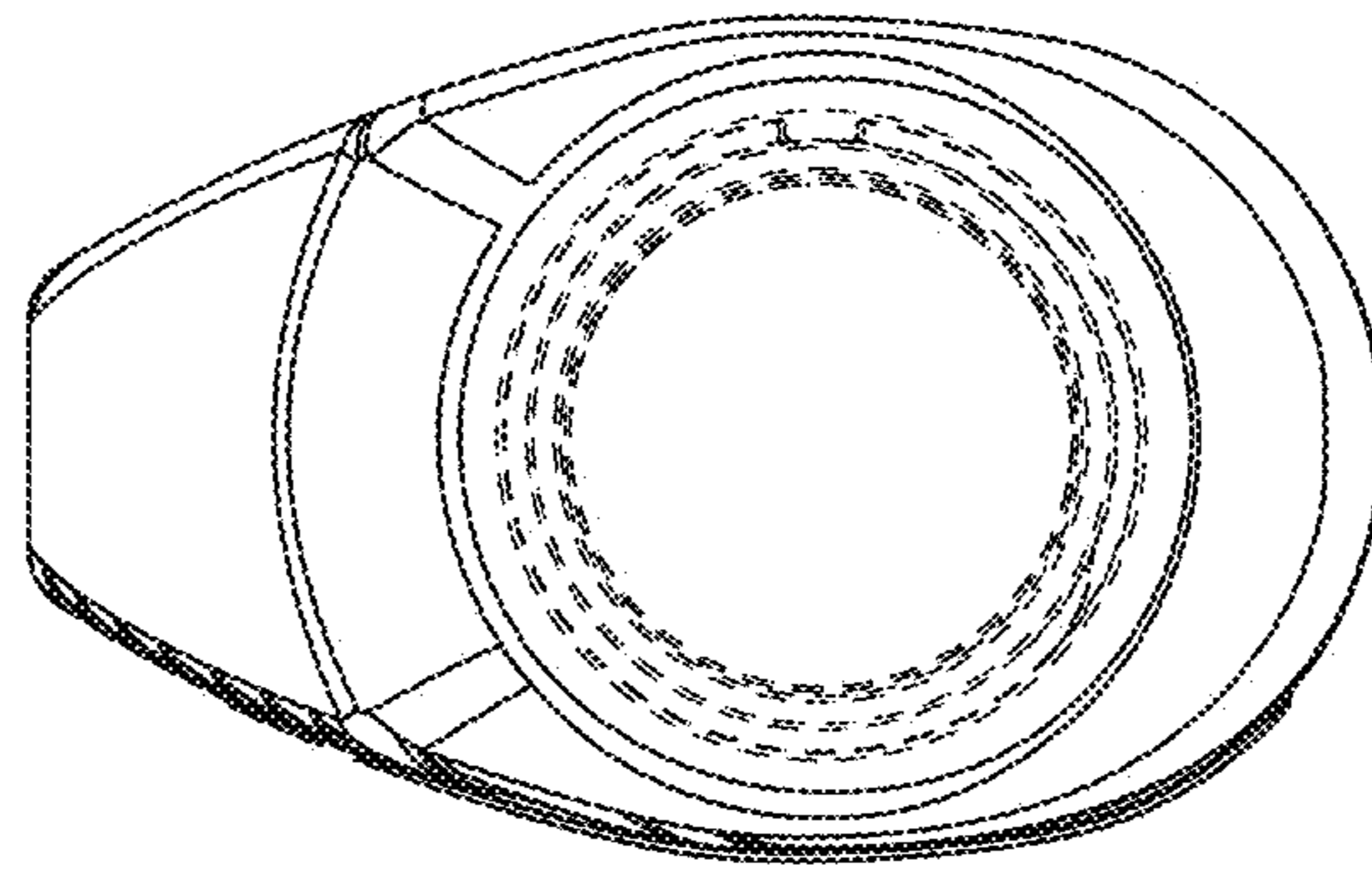


FIG. 7

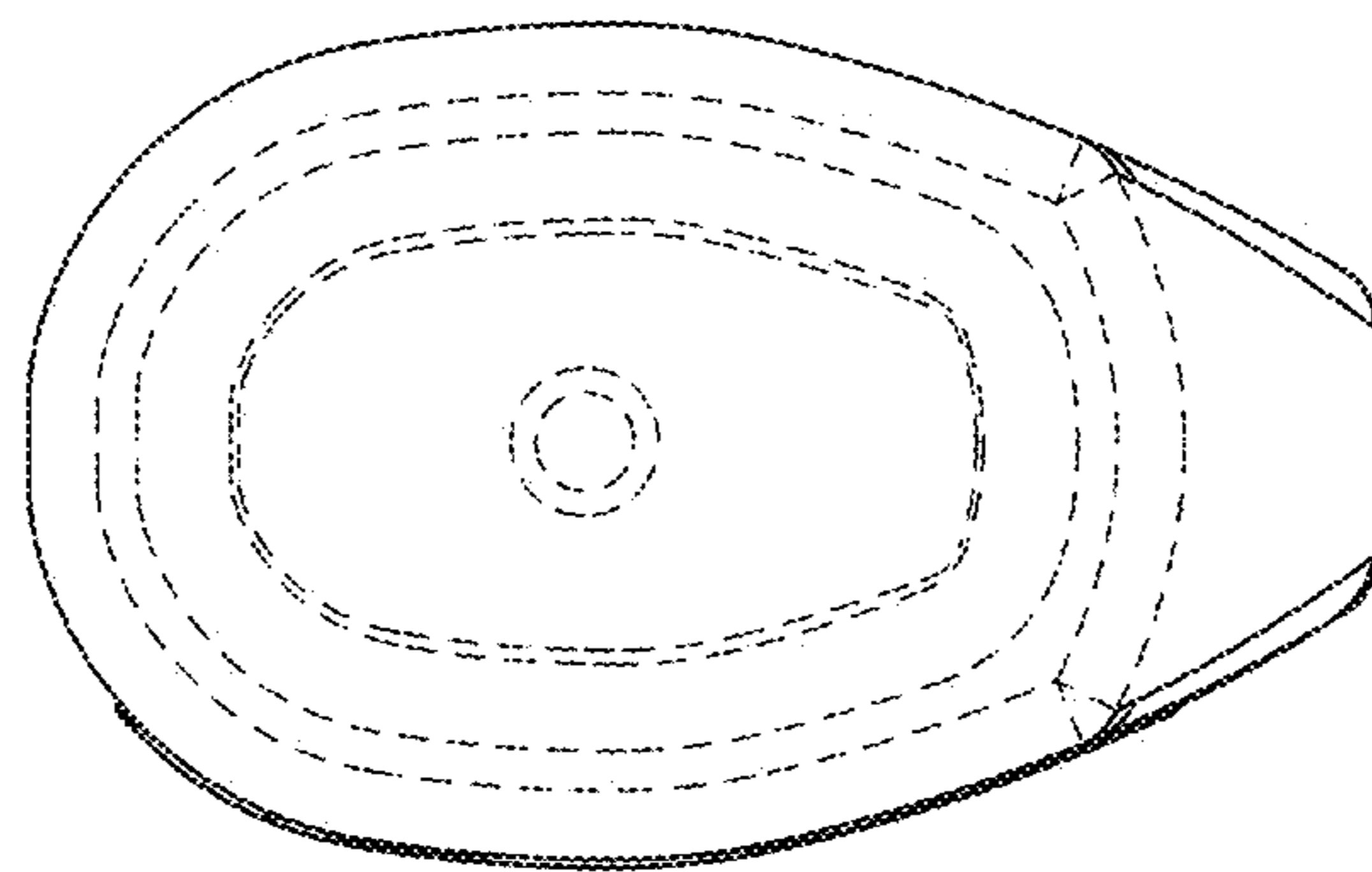


FIG. 8

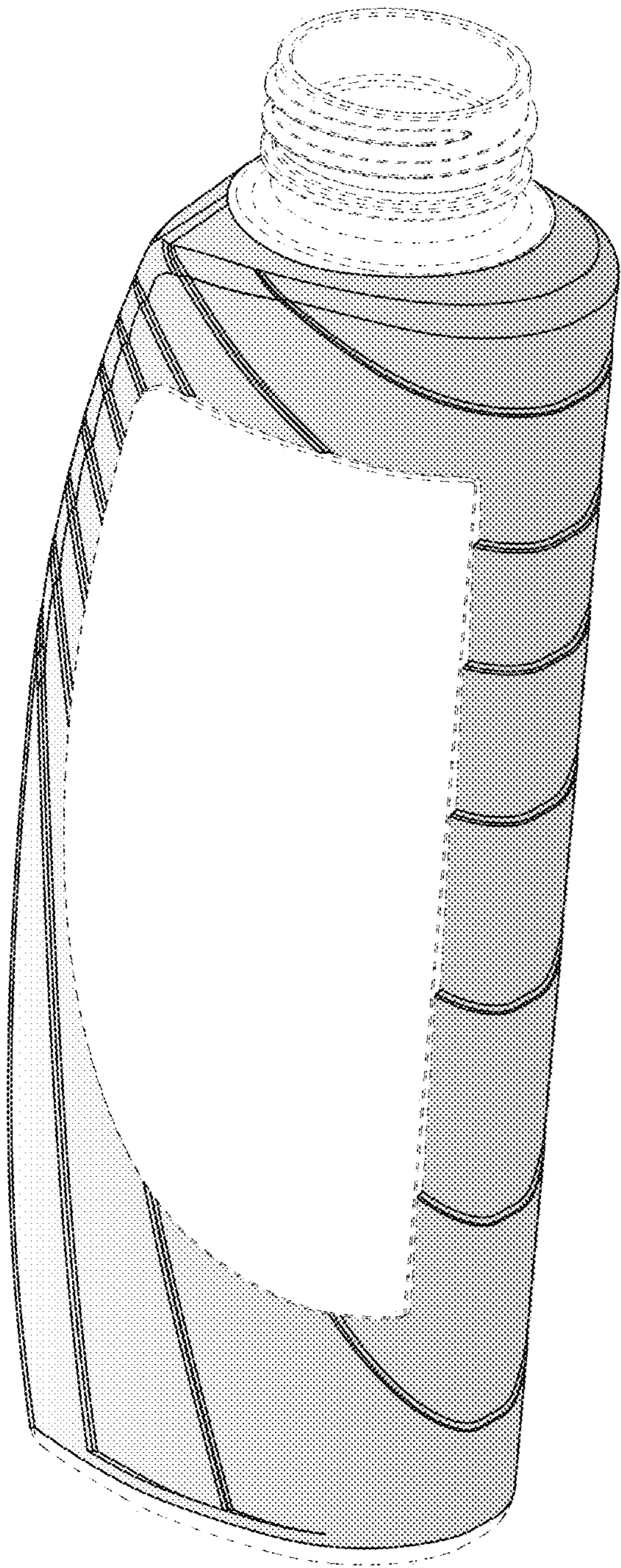


FIG. 9

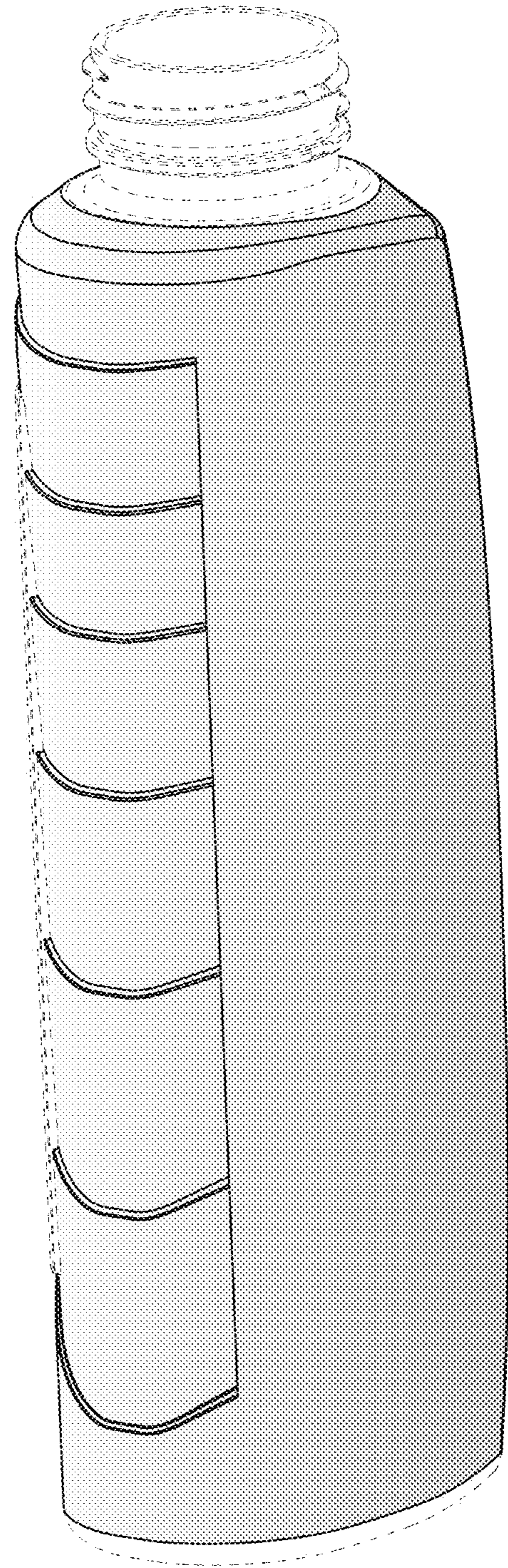


FIG. 10

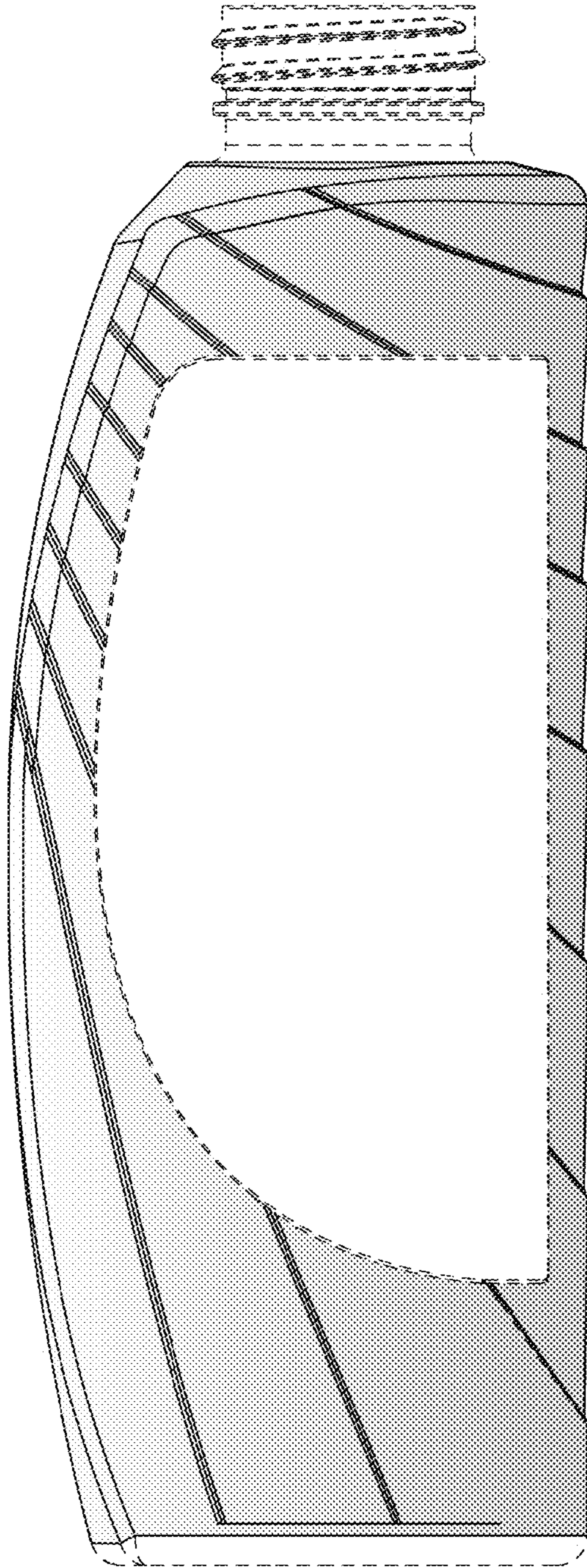


FIG. 11

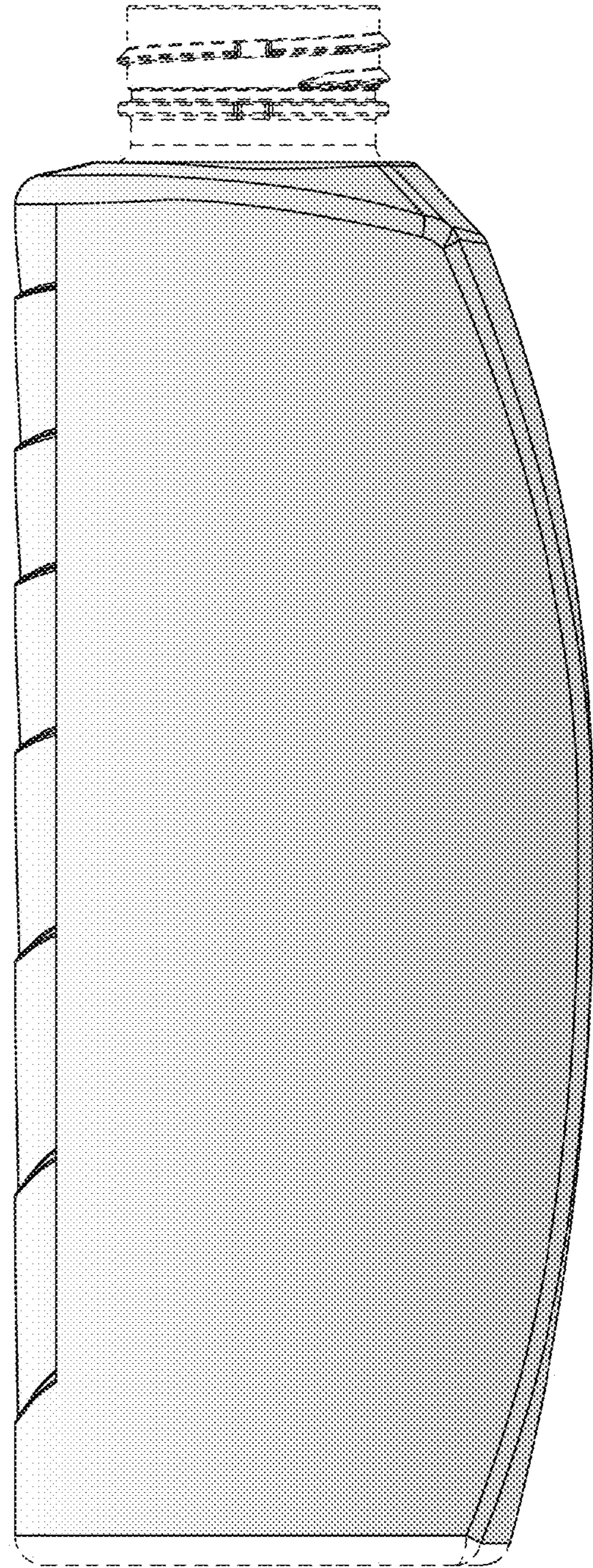


FIG. 12

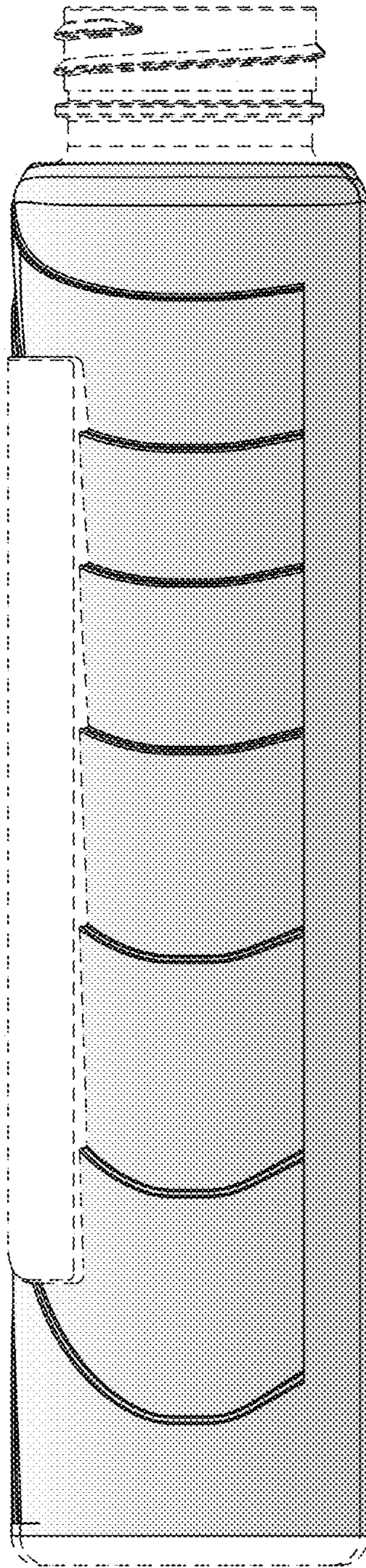


FIG. 13

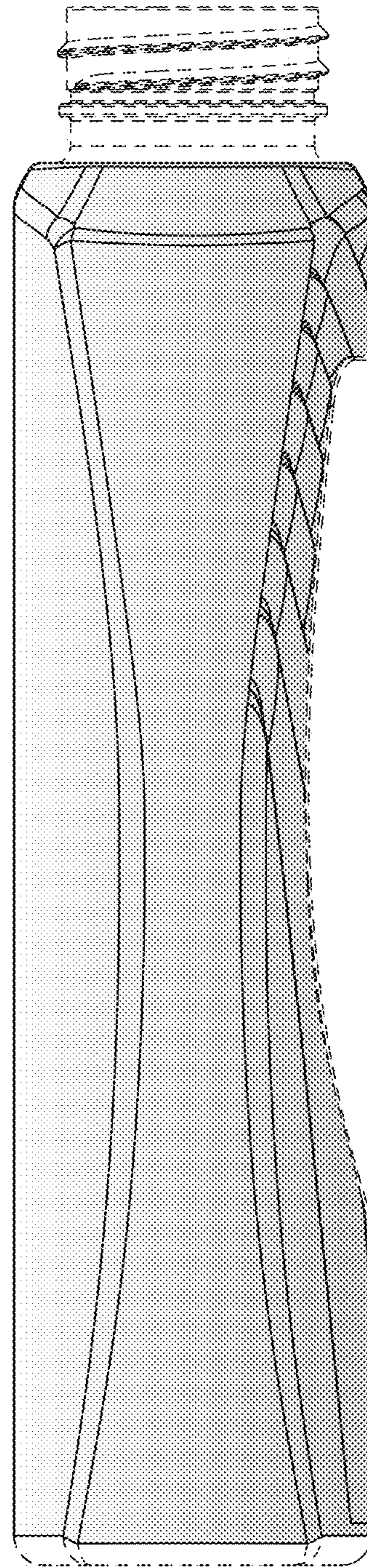


FIG. 14

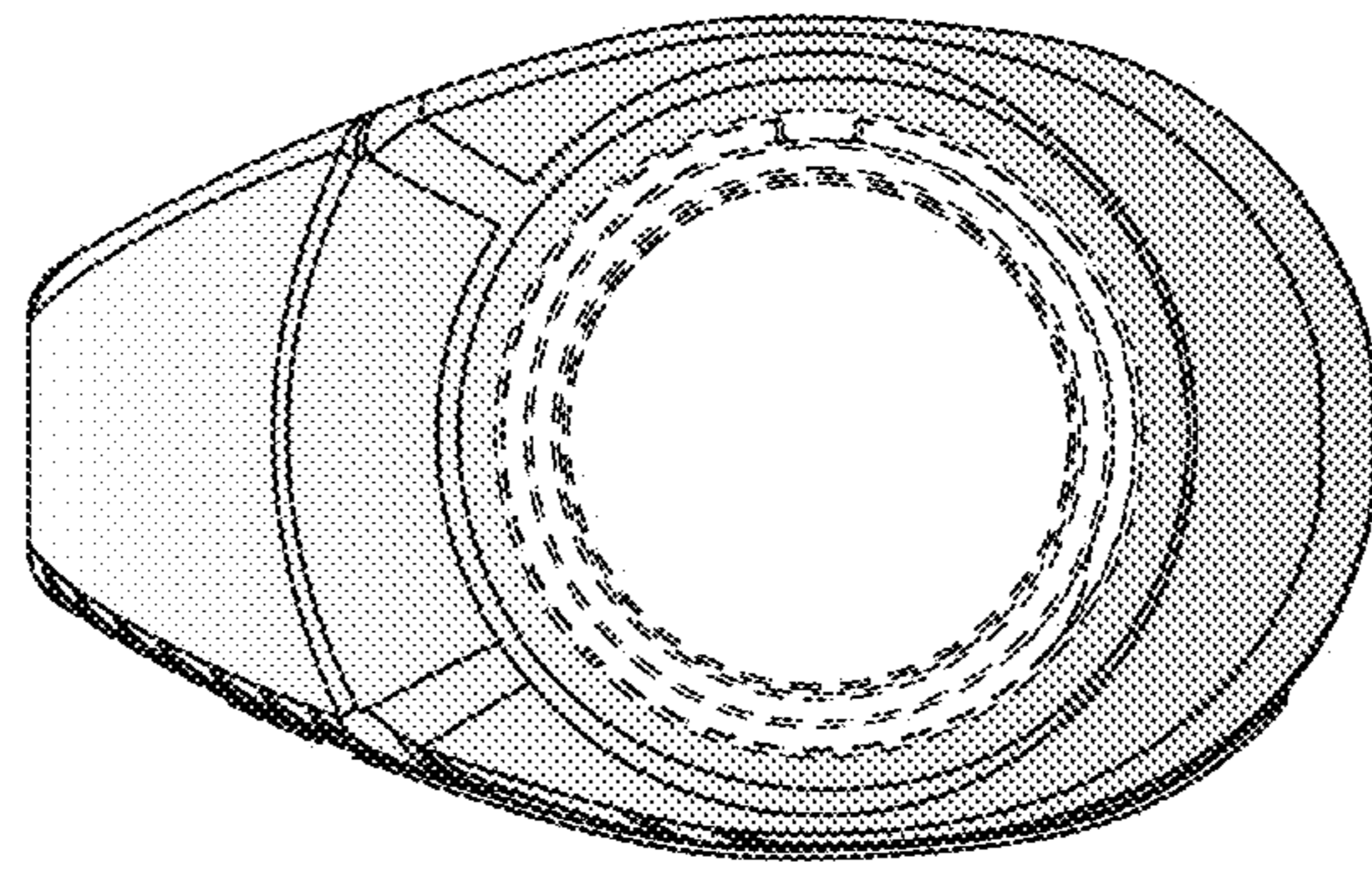


FIG. 15

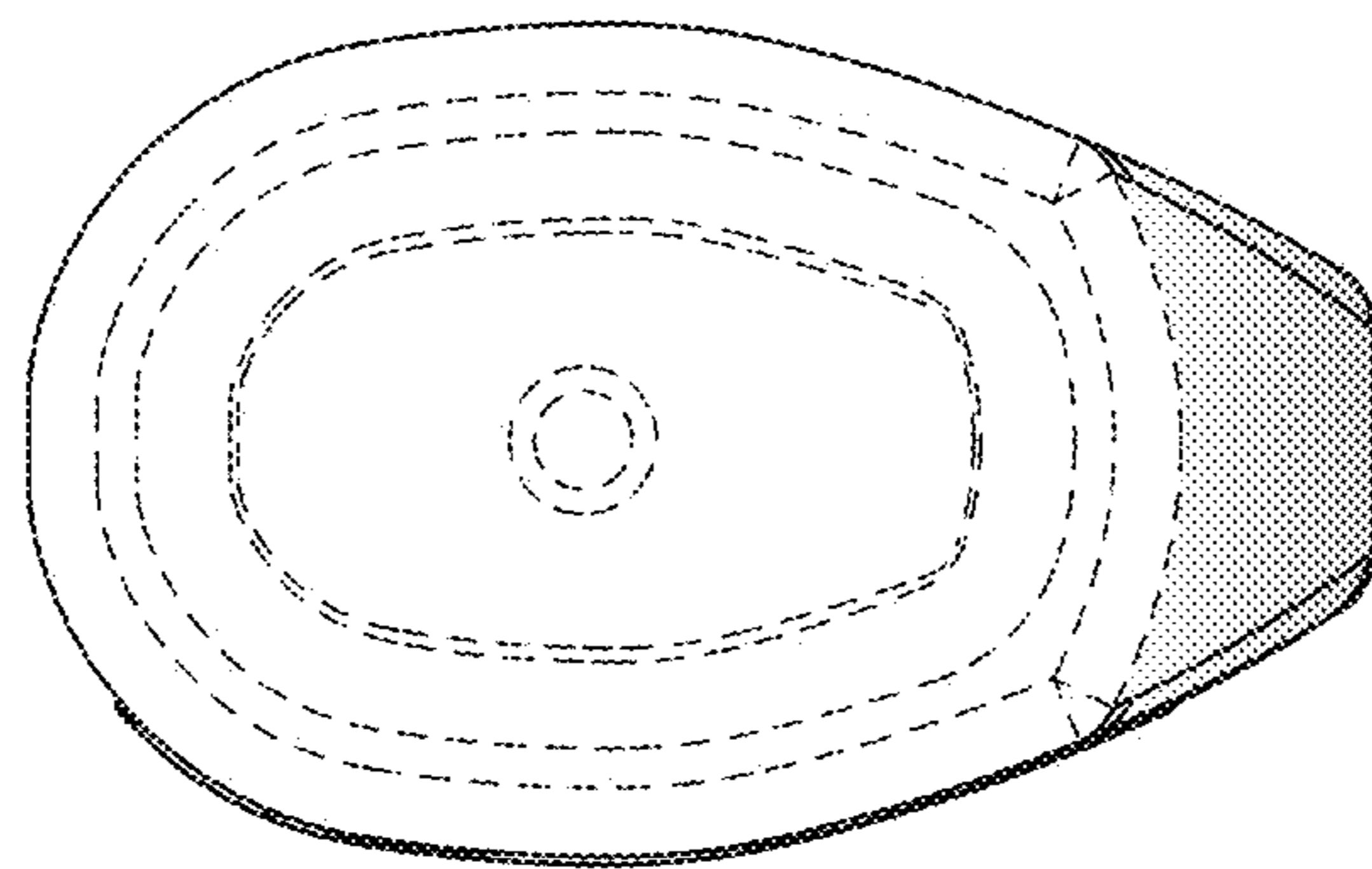


FIG. 16

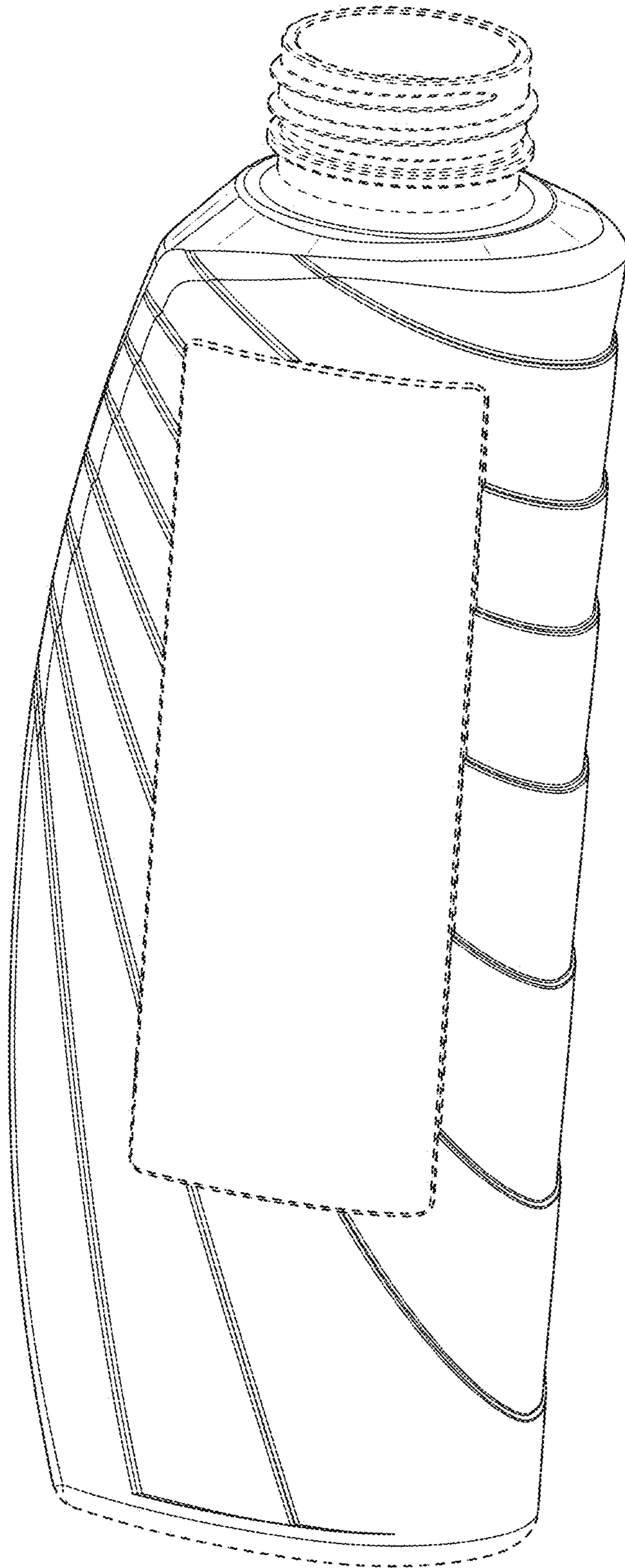


FIG. 17

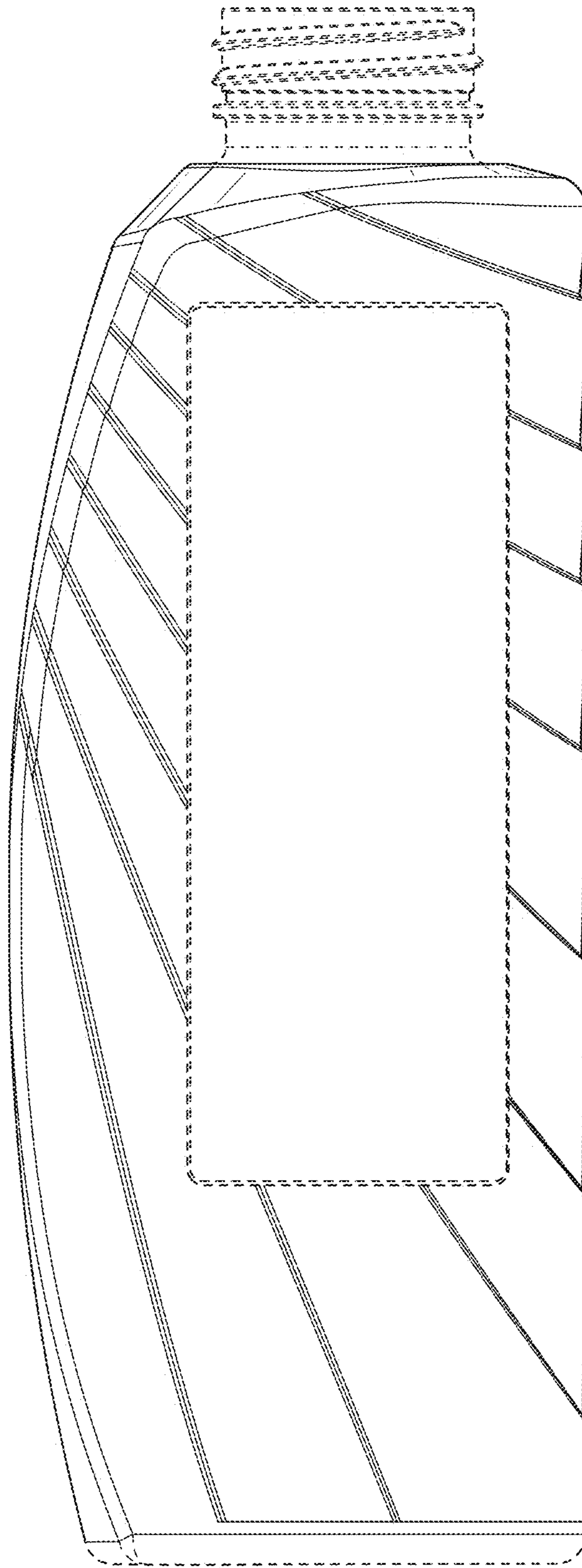


FIG. 18

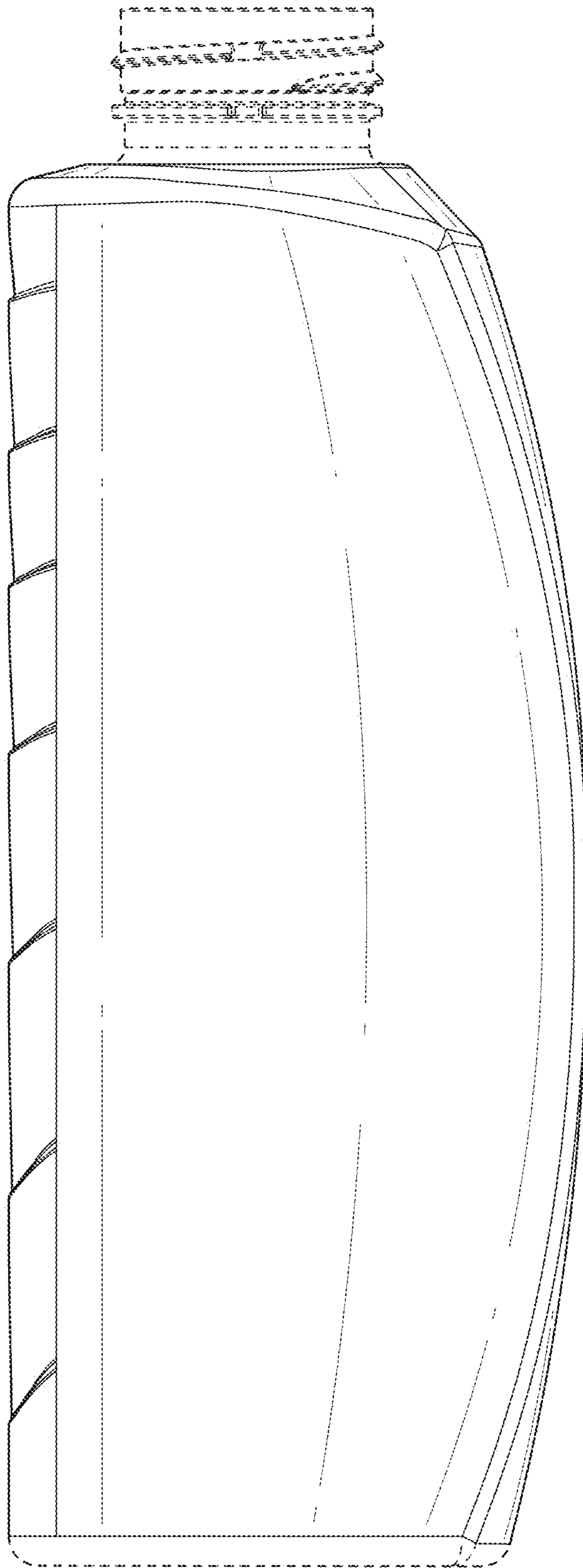


FIG. 19

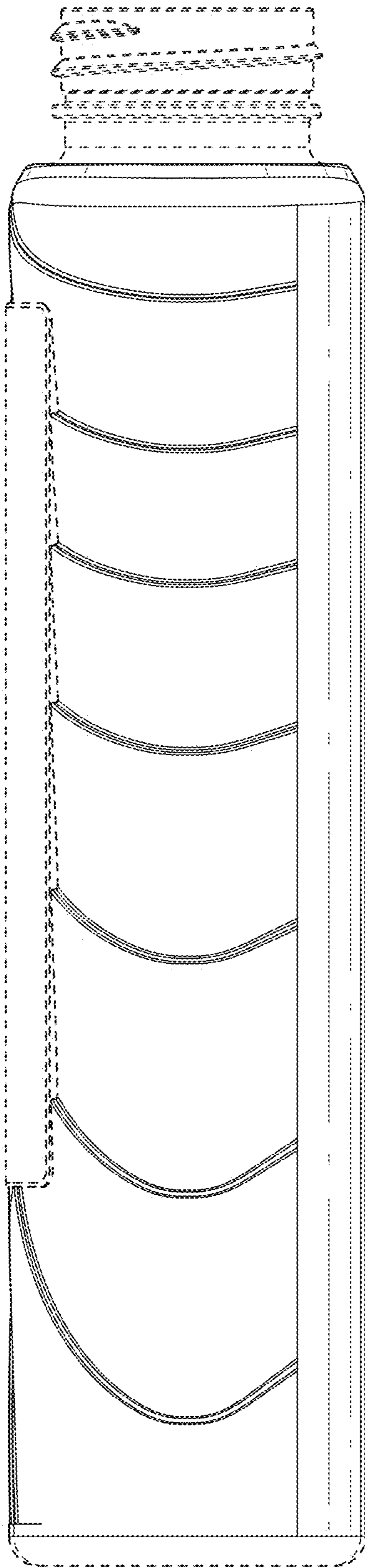


FIG. 20

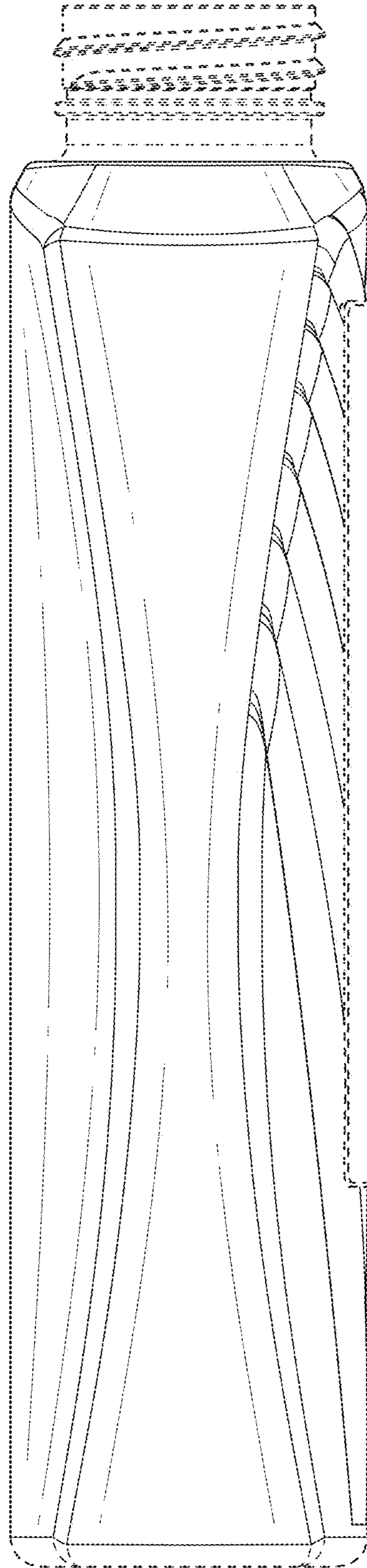


FIG. 21

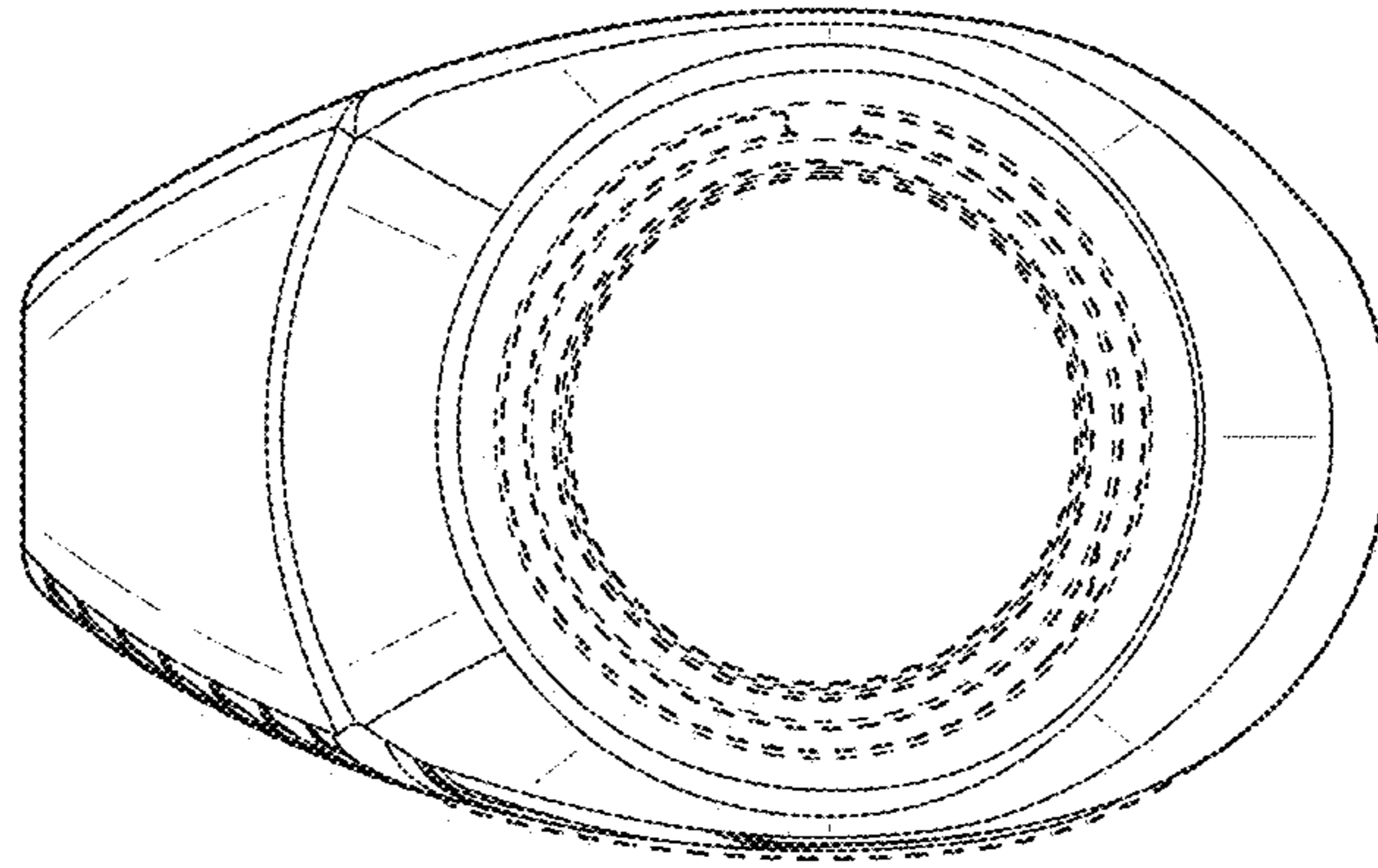


FIG. 22

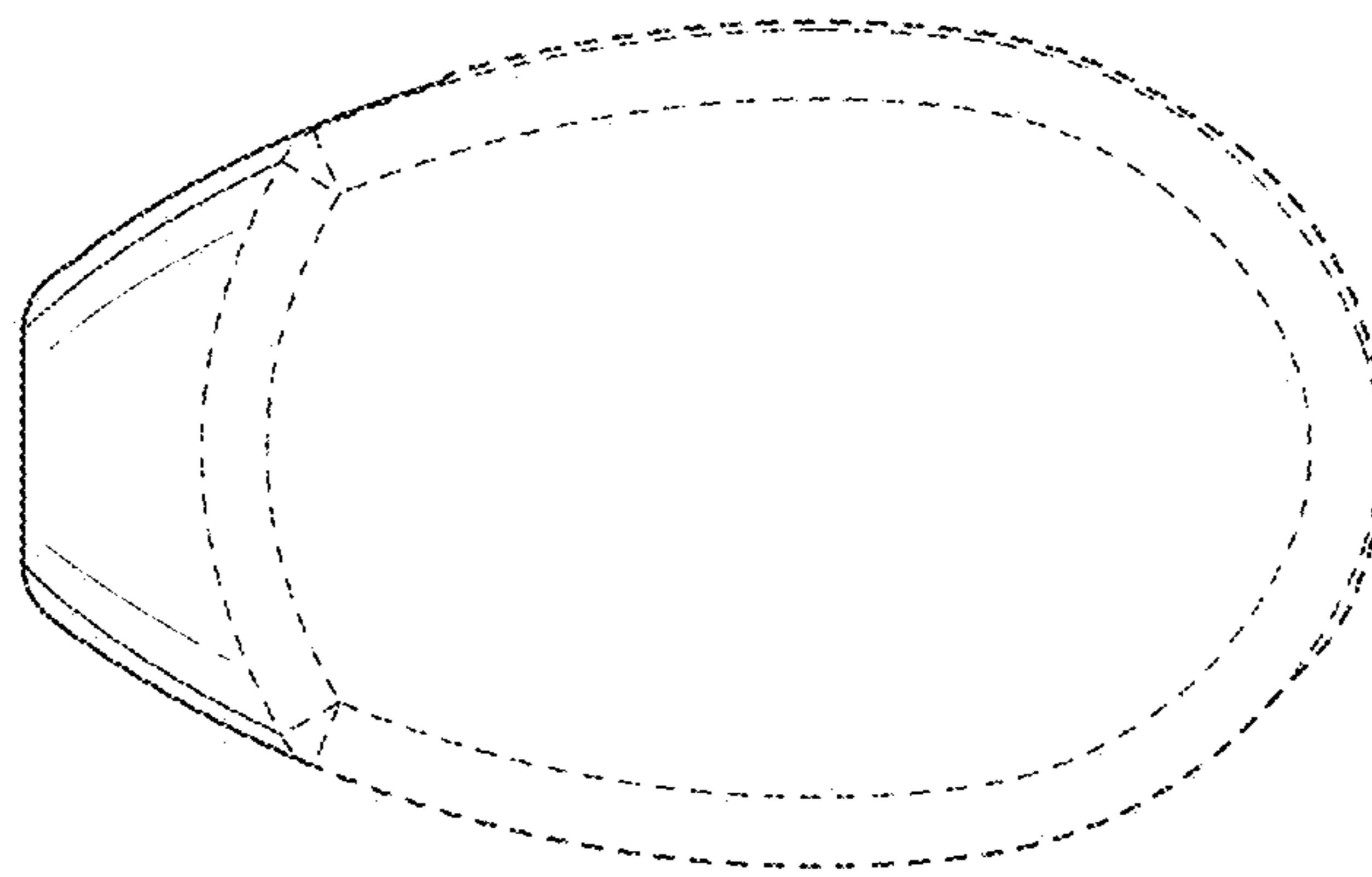


FIG. 23

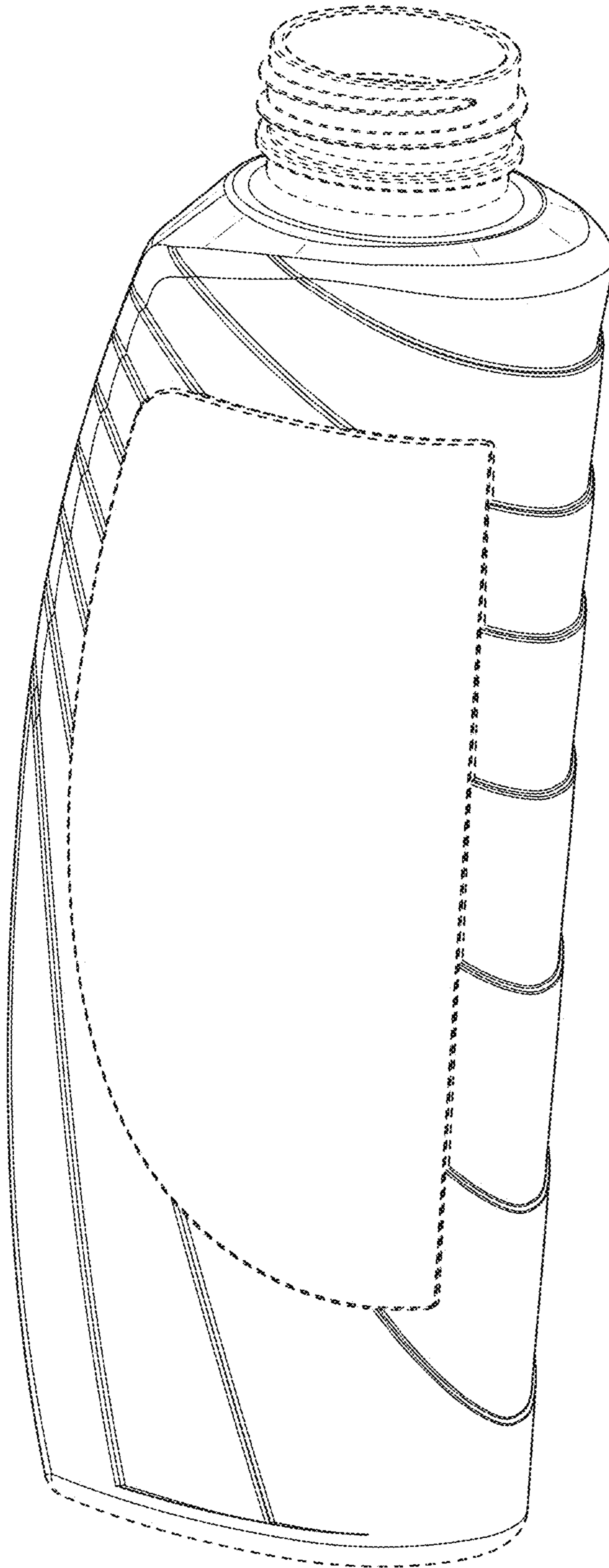


FIG. 24

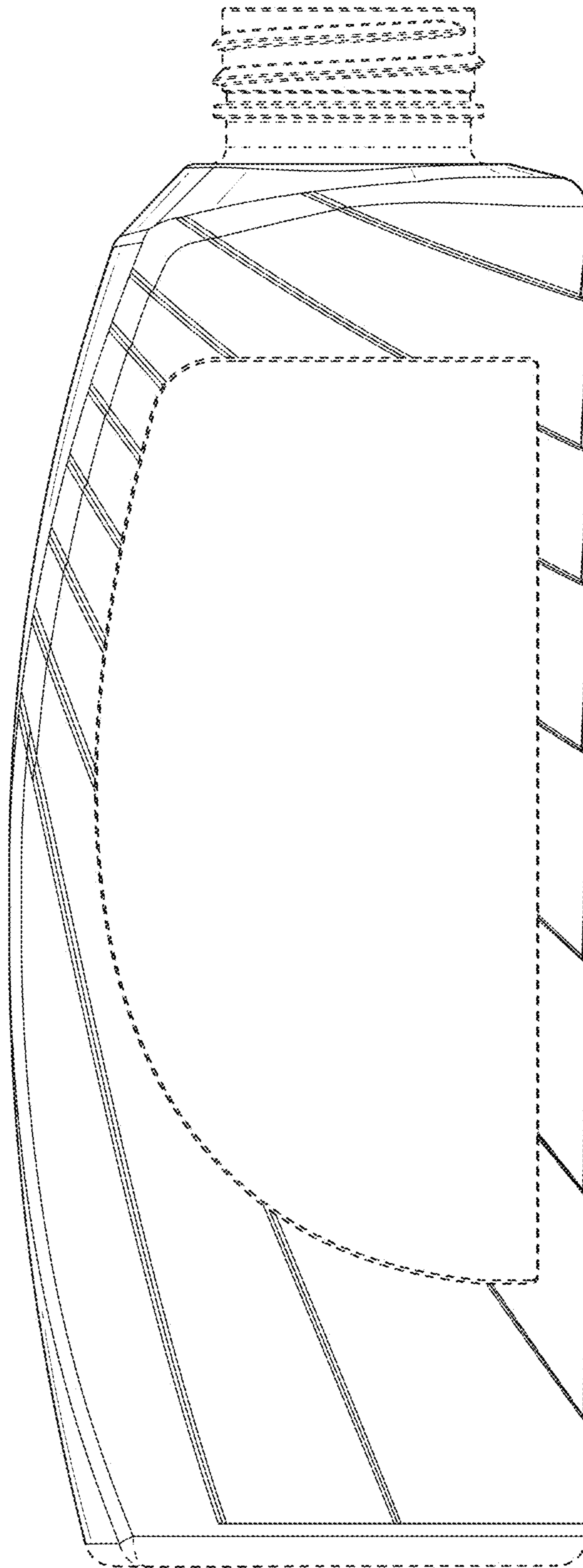


FIG. 25

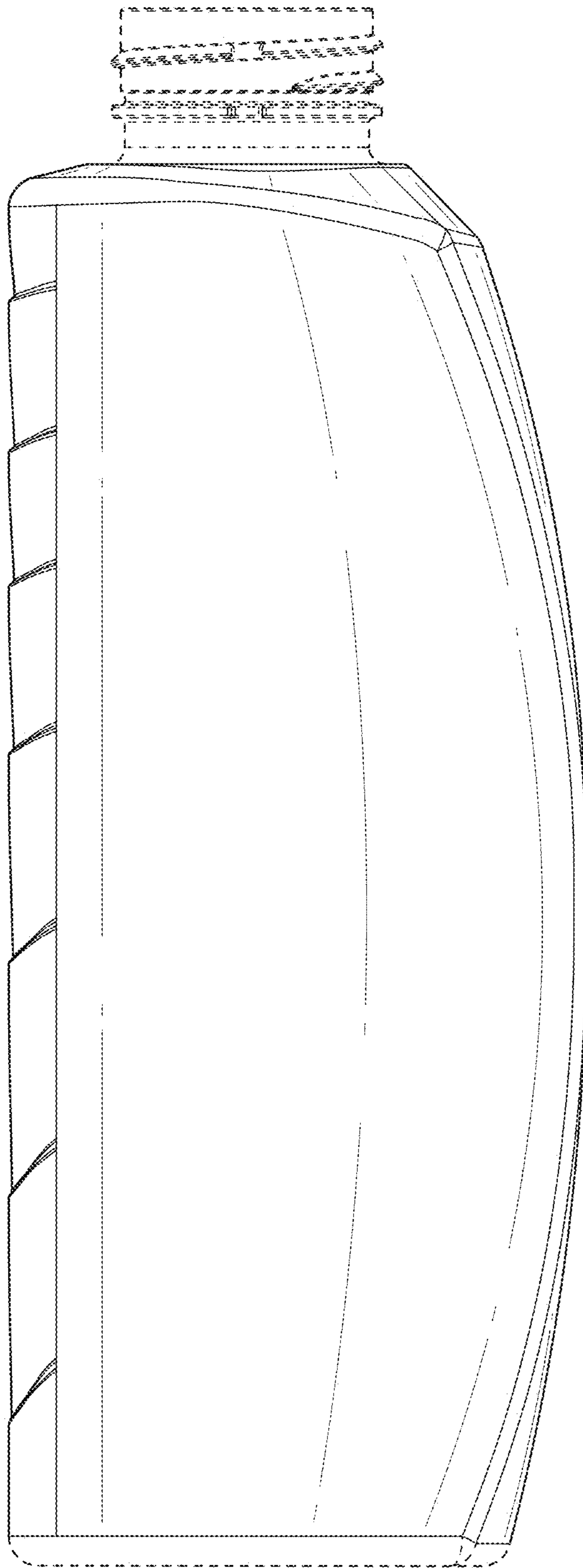


FIG. 26

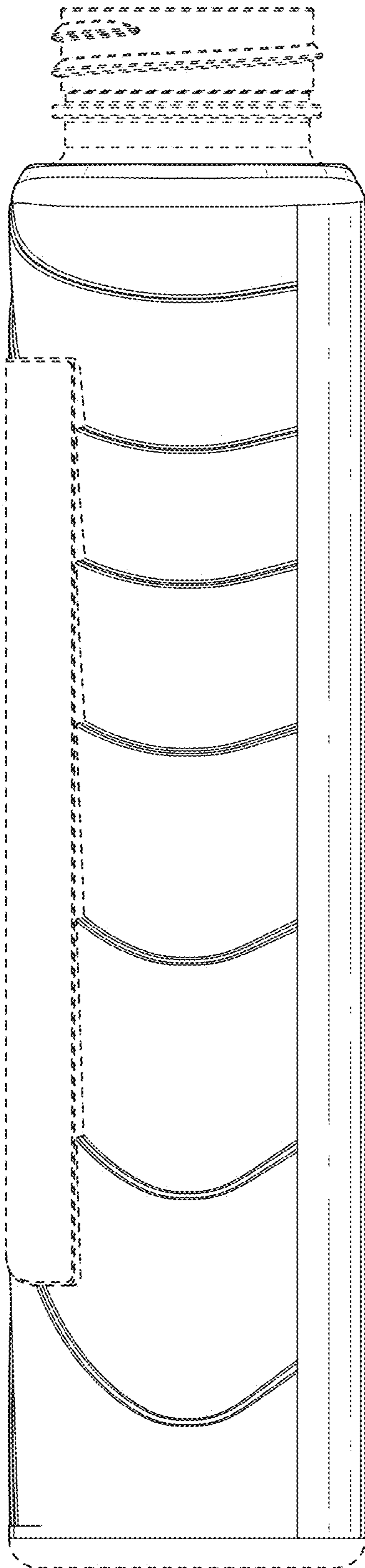


FIG. 27

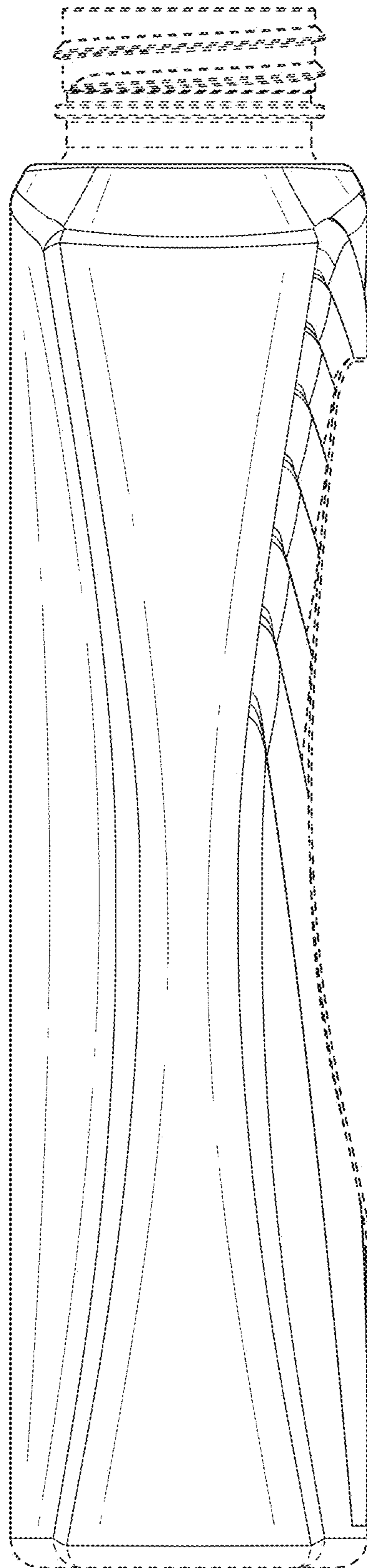


FIG. 28

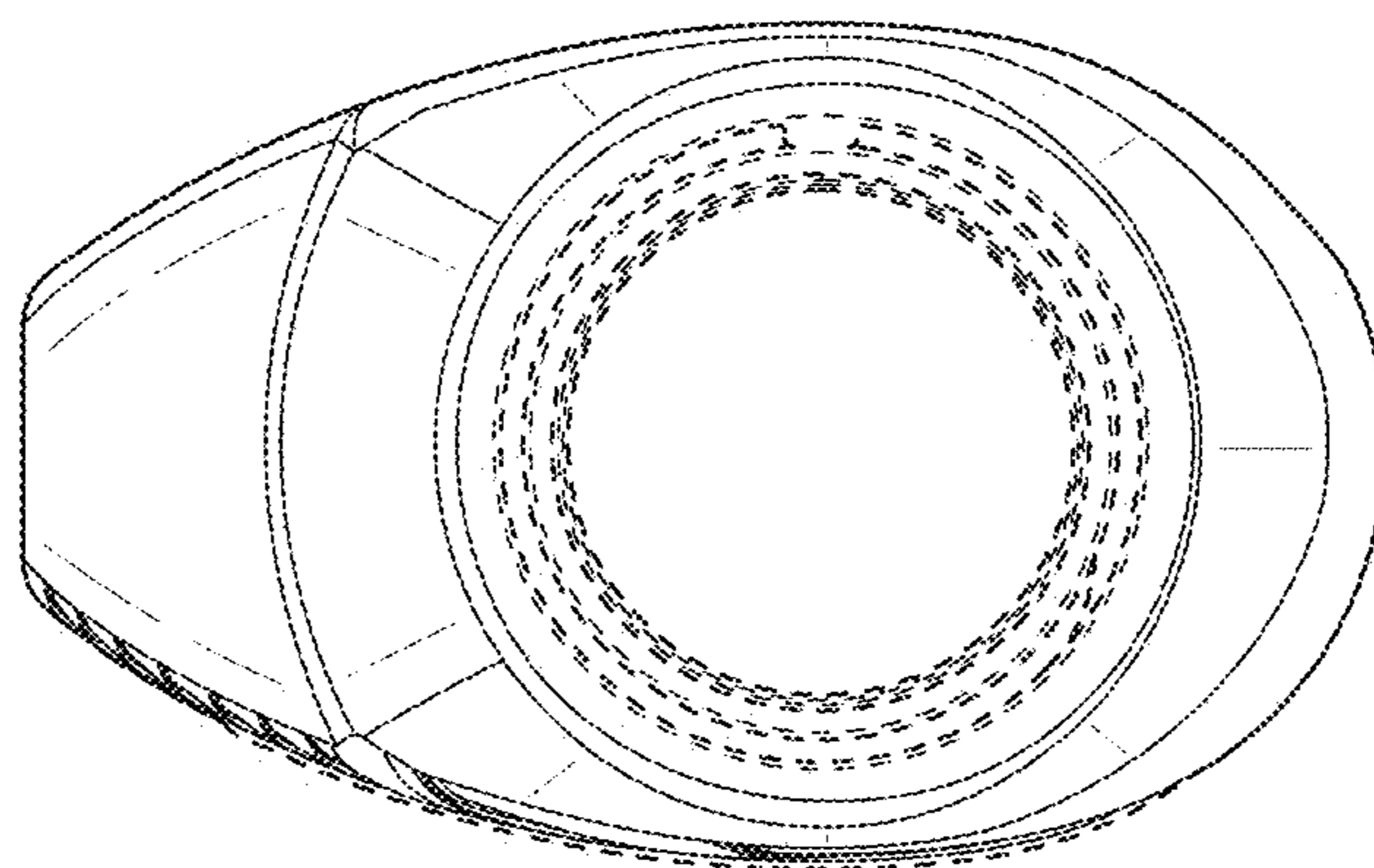


FIG. 29

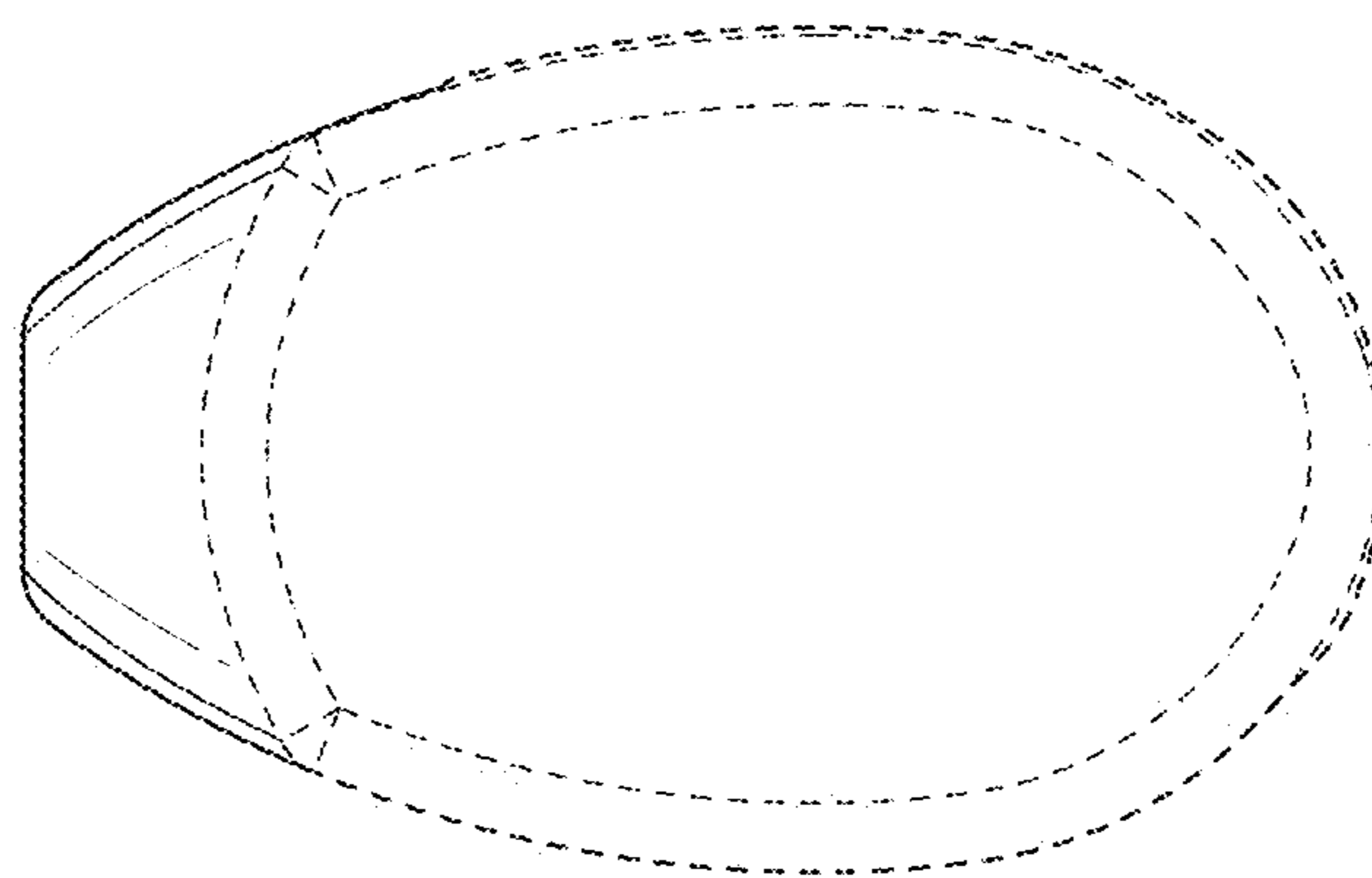


FIG. 30