



US00D977975S

(12) **United States Design Patent** (10) **Patent No.:** **US D977,975 S**
Kodama et al. (45) **Date of Patent:** **** Feb. 14, 2023**

(54) **NOZZLE FOR CARTRIDGE INSERTED IN A FLUID EMITTING DEVICE**

FOREIGN PATENT DOCUMENTS

(71) Applicant: **KAO CORPORATION**, Tokyo (JP)

JP D1237857 4/2005

(72) Inventors: **Shinji Kodama**, Tokyo (JP); **Haruomi Enomoto**, Tokyo (JP)

OTHER PUBLICATIONS

(73) Assignee: **KAO CORPORATION**, Tokyo (JP)

Veil Applicator for Biomimesis Veil: Announced (Dec. 2019). Site Visited (Oct. 4, 2022). Available from URL: <https://www.kao.com/global/en/news/products/2020/20200807-001/>.*

(**) Term: **15 Years**

(Continued)

(21) Appl. No.: **29/715,157**

Primary Examiner — Catherine S Posthauer

(22) Filed: **Nov. 27, 2019**

(74) *Attorney, Agent, or Firm* — Oblon, McClelland, Maier & Neustadt, L.L.P.

(30) **Foreign Application Priority Data**

(57) **CLAIM**

May 31, 2019 (JP) 2019-012013

The ornamental design for a nozzle for cartridge inserted in a fluid emitting device, as shown and described.

(51) **LOC (14) Cl.** **09-07**

DESCRIPTION

(52) **U.S. Cl.**

USPC **D9/448**

(58) **Field of Classification Search**

USPC D3/17, 29; D7/368, 387, 389, 391, D7/392.1, 396.1, 396.2, 396.4, 397, 400, D7/514, 516, 519, 539, 544, 571, 573, D7/578; D9/414, 416, 417, 434, 435, D9/436, 439, 440, 441, 443, 445, 447, D9/448, 451, 452, 453, 454, 601, 682, D9/685, 686, 688, 690, 695, 707, 708, D9/709, 723, 724, 727; D23/206, 208, D23/209, 213, 223, 226, 259, 260, 261; D24/112, 121, 127, 162, 194, 196;

FIG. 1 is a front, left side, top perspective view of a nozzle for cartridge inserted in a fluid emitting device showing our new design;

FIG. 2 is a front elevational view thereof;

FIG. 3 is a rear elevational view thereof;

FIG. 4 is a left side elevational view thereof;

FIG. 5 is a right side elevational view thereof;

FIG. 6 is a top plan view thereof;

FIG. 7 is a bottom plan view thereof;

FIG. 8 is a front, right side, top perspective view thereof;

FIG. 9 is a reference perspective view thereof, showing a state in which this article is used; and,

FIG. 10 is another reference perspective view thereof, showing a state in which this article is used.

The evenly broken lines are shown for the purpose of illustrating both parts of the article as well as environmental subject matter. The dot-dash lines represent the boundaries of the claim. None of the broken lines form part of the claimed design.

(Continued)

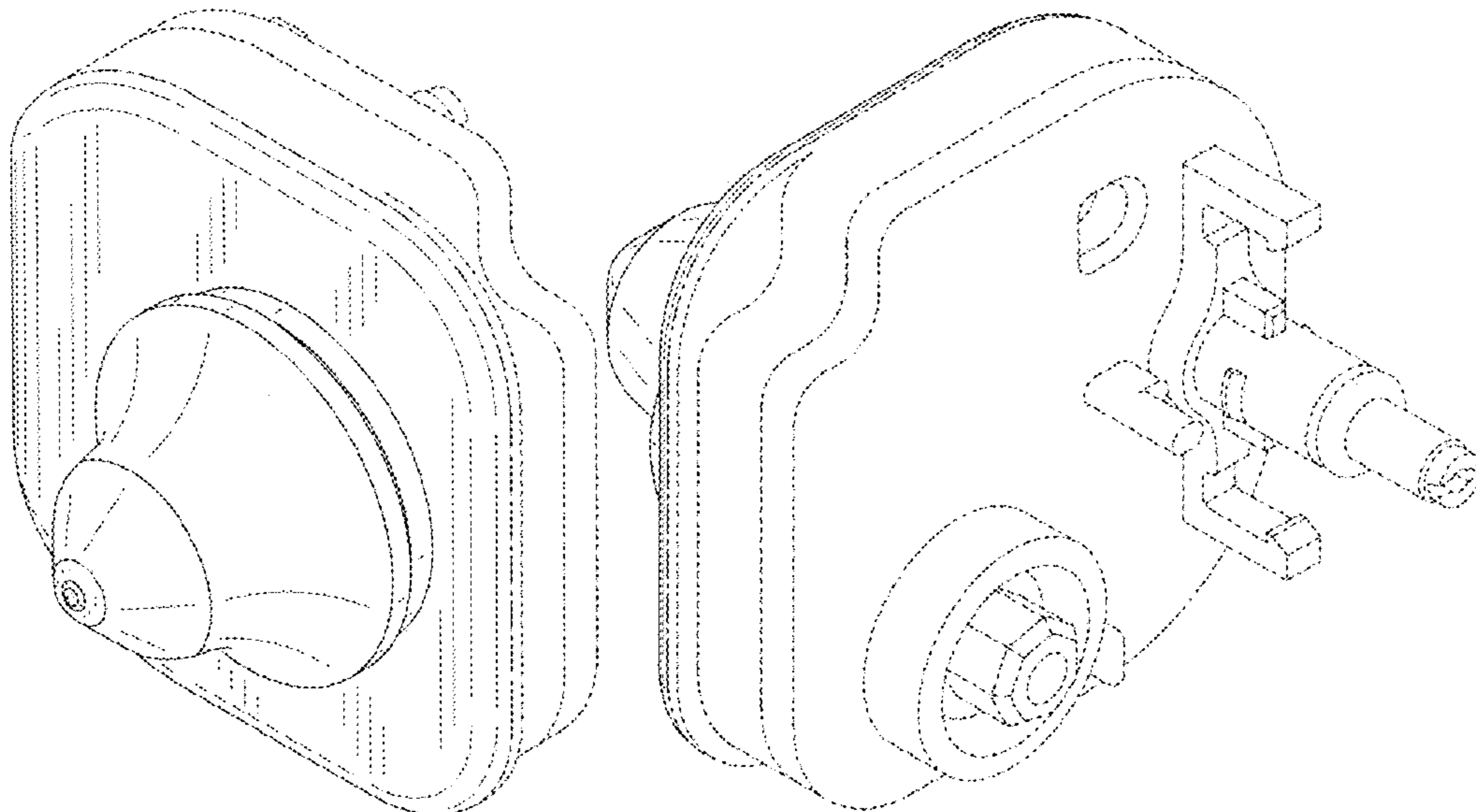
(56) **References Cited**

U.S. PATENT DOCUMENTS

D26,539 S * 1/1897 Schram D9/447
D182,830 S * 5/1958 Libit D9/447

(Continued)

1 Claim, 10 Drawing Sheets



(58) **Field of Classification Search**

USPC D28/4, 76, 79, 80, 81, 82, 84, 85, 87,
D28/91.1; D6/542; D11/152
CPC B65D 85/8064; B65D 85/8043; B65D
77/20; B65D 25/48; B65D 2543/00046;
B65D 2543/00092; B65D 2585/56; B65D
2585/545; A47J 31/407; A47J 31/04;
A47J 31/10; A47J 31/24; A23F 5/24;
B05B 11/0032; B05B 11/0027; B05B
11/3004; B05B 11/3015; B05B 11/306;
B05B 11/3064; B05B 11/3059; B65B
29/06; A45D 33/24; A45D 33/26; A45D
33/28; A45D 40/00; A45D 40/20; A45D
40/24; A45D 40/02; A45D 40/06; A45D
40/18; A45D 40/262; A45D 34/00; A45D
34/04; A45D 34/06; A45D 34/041

See application file for complete search history.

(56) **References Cited**

U.S. PATENT DOCUMENTS

D183,757 S * 10/1958 Libit D9/447
D217,902 S * 6/1970 Derenski D9/447

D241,125 S * 8/1976 Knapp D9/447
D398,233 S * 9/1998 Wood D9/447
D477,182 S * 7/2003 Brown D7/510
D526,717 S 8/2006 Yamaguchi et al.
D758,572 S * 6/2016 Rodewald D24/121
D837,976 S * 1/2019 Kaye D24/121
2014/0155847 A1* 6/2014 Neatrou A61M 1/0001
604/319

OTHER PUBLICATIONS

Biomimesis Veil Potion: Site Visited (Oct. 4, 2022). Available from
URL: https://www.sensai-cosmetics.com/global/en/products/skincare/biomimesis_veil/veil_potion/.*

Biomimesis Veil Potion: Site Visited (Oct. 4, 2022). Available from
URL: https://web.sofina.com/sg/est/products/biomimesisveil/biomimesisveil_potion/.*

Notice dated Oct. 18, 2019 by the Japanese Patent Office in
Japanese Design Application No. 2019-012013.

* cited by examiner

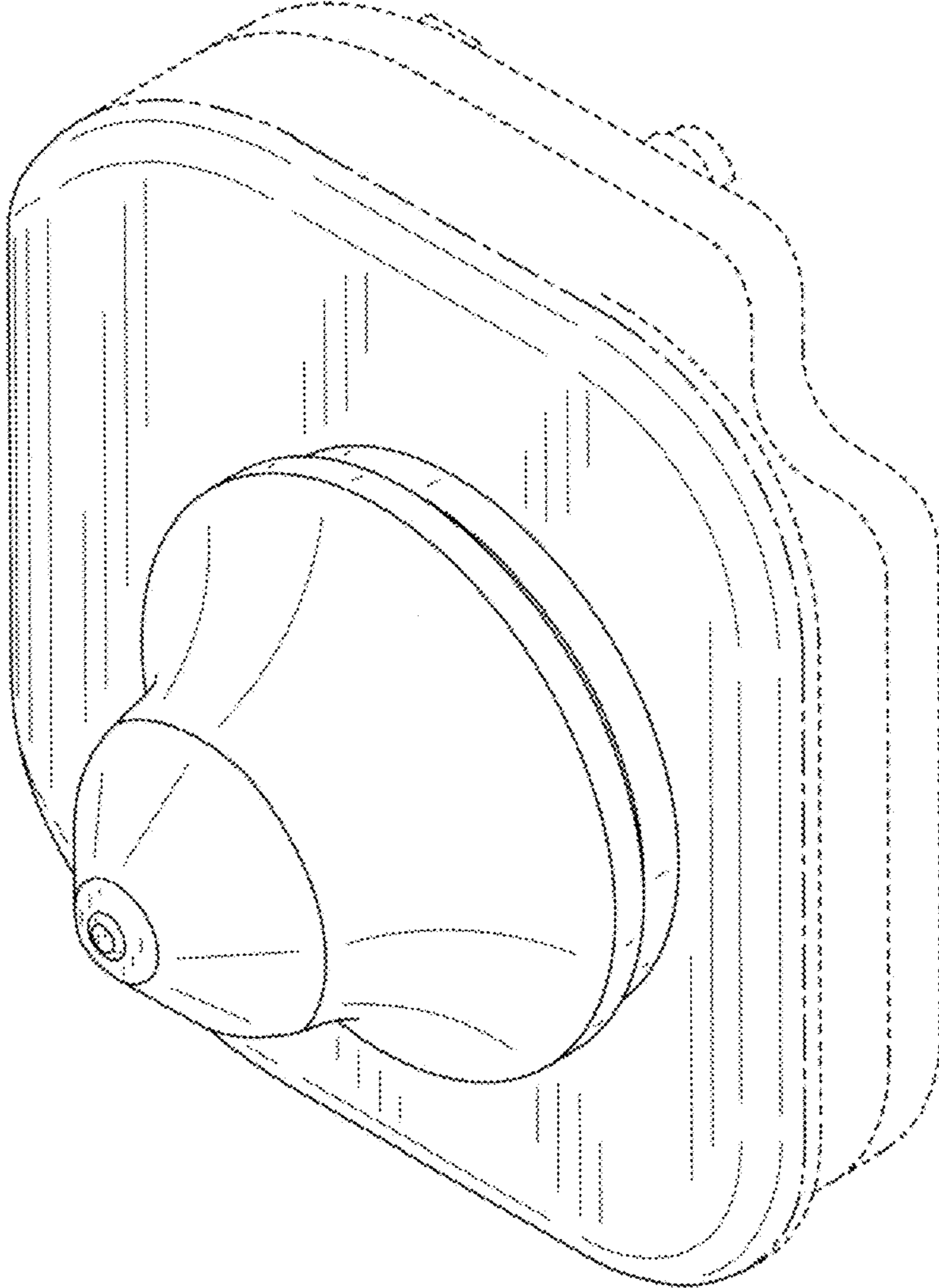


FIG. 1

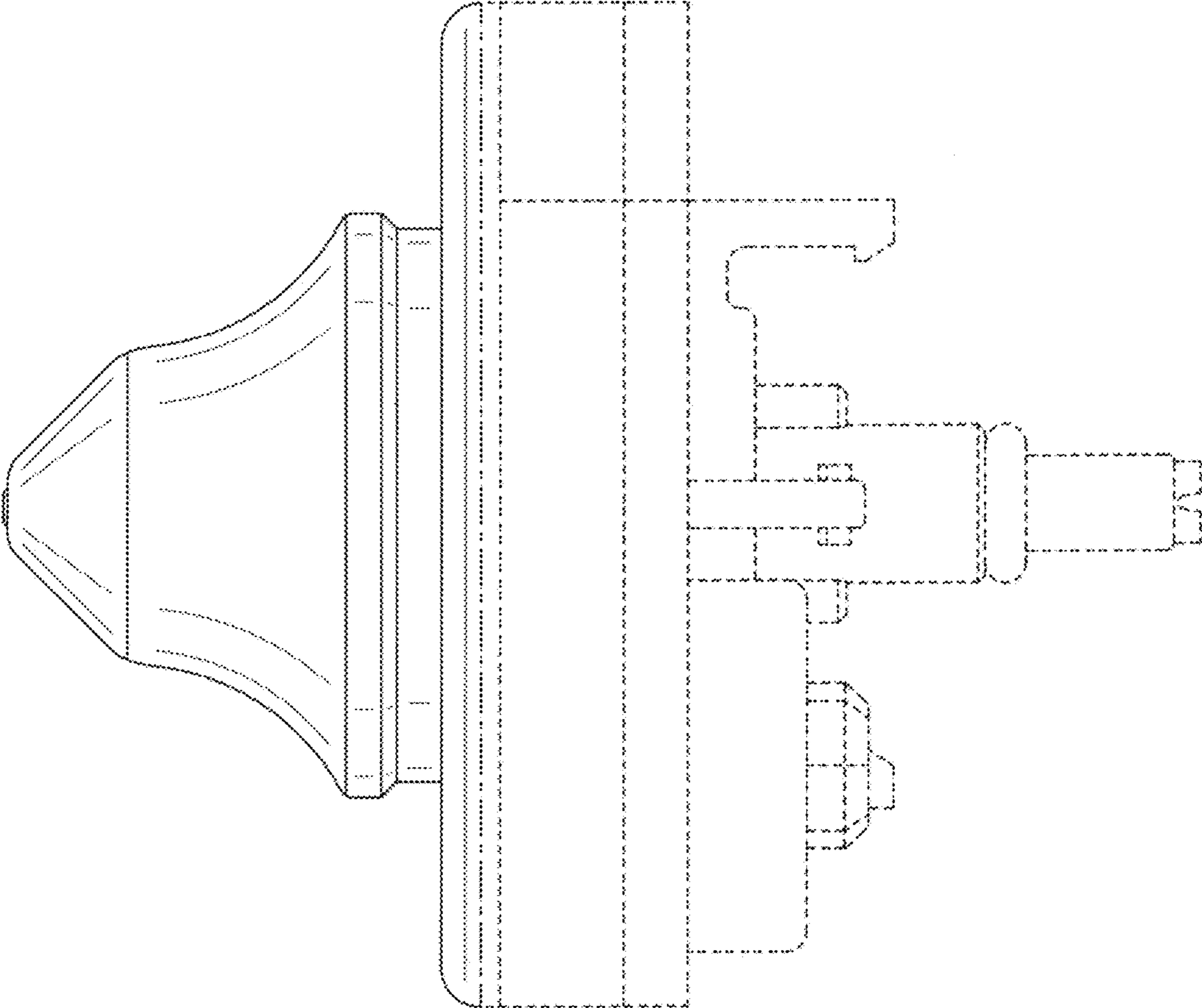


FIG. 2

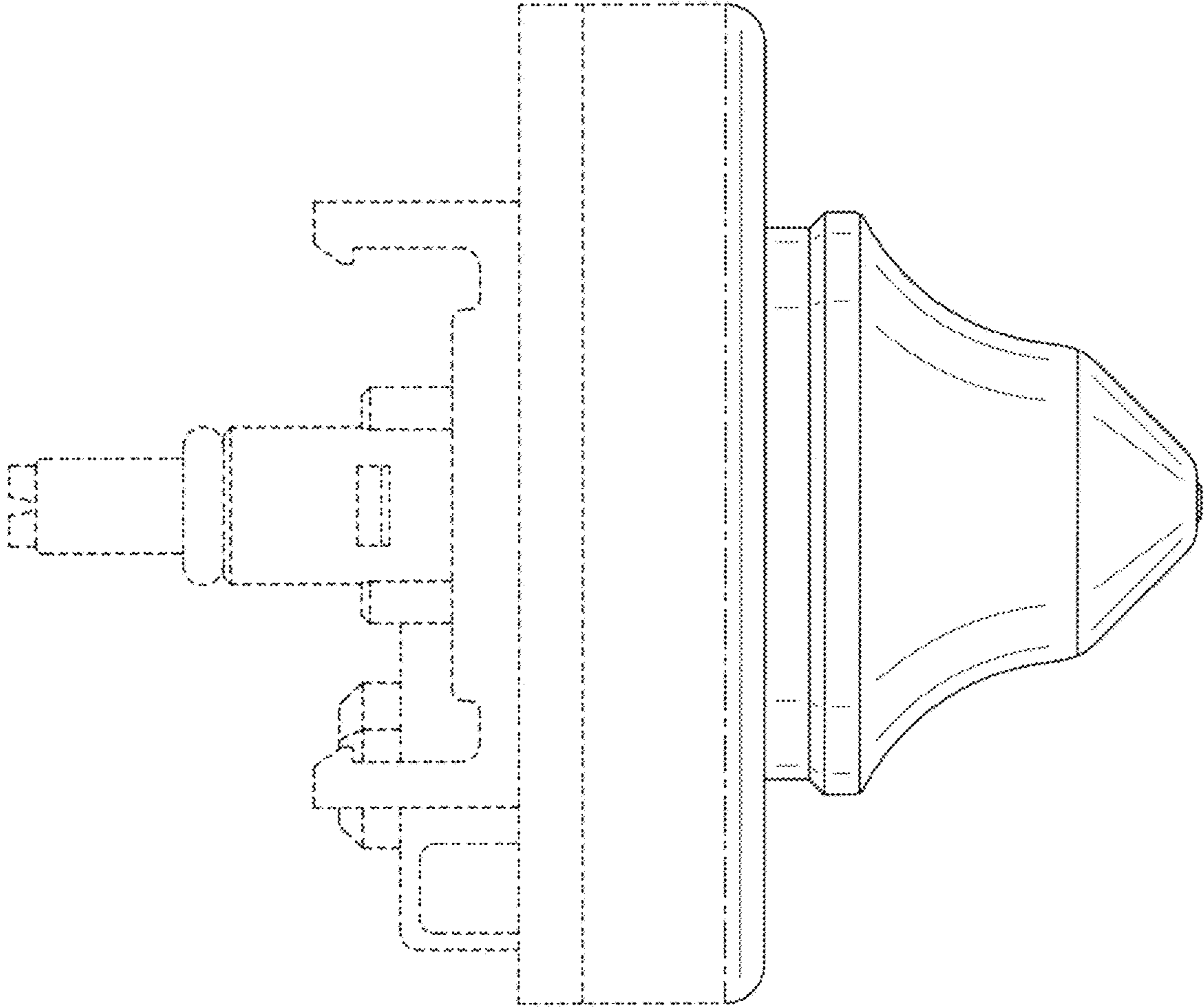


FIG. 3

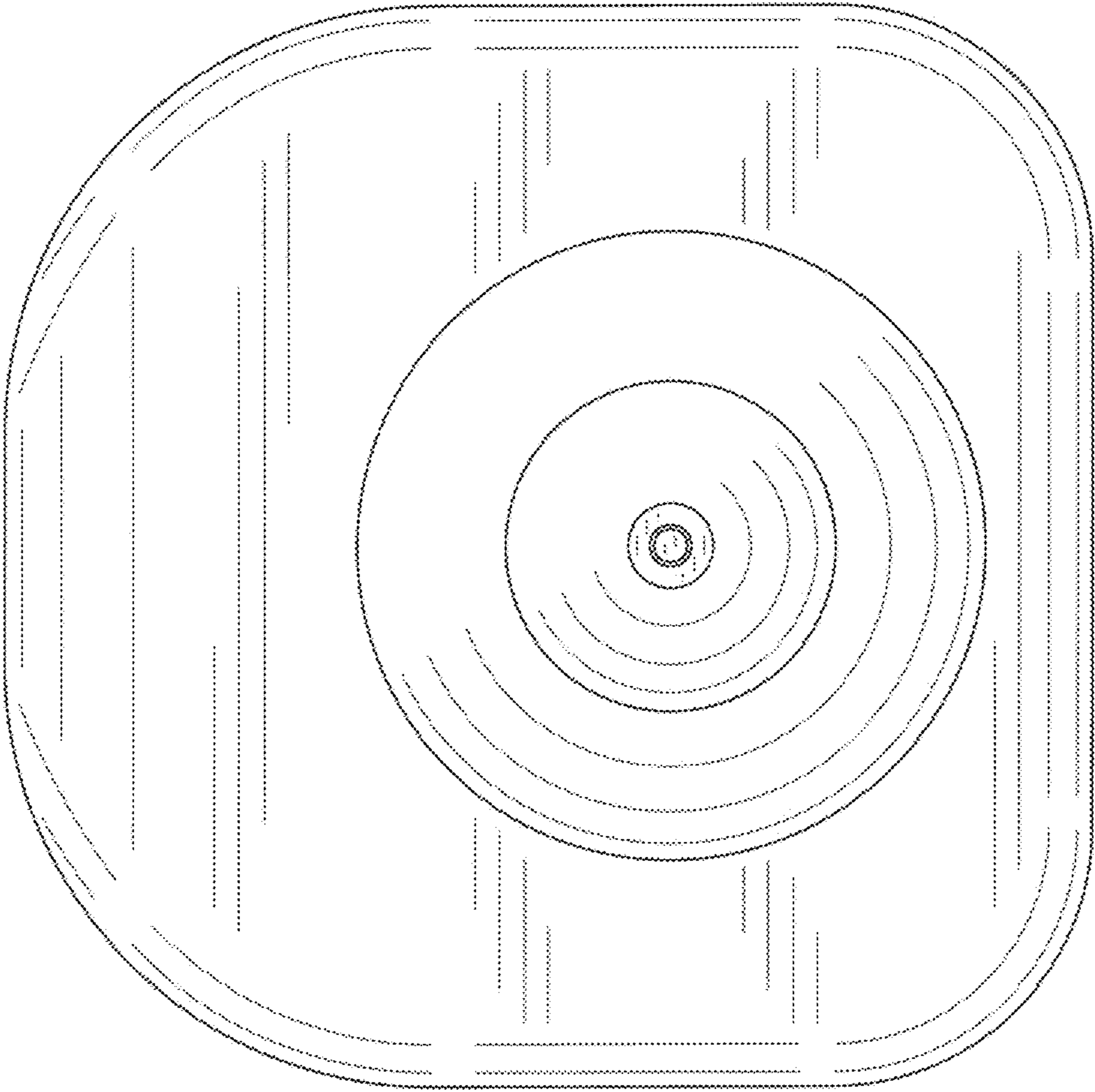


FIG. 4

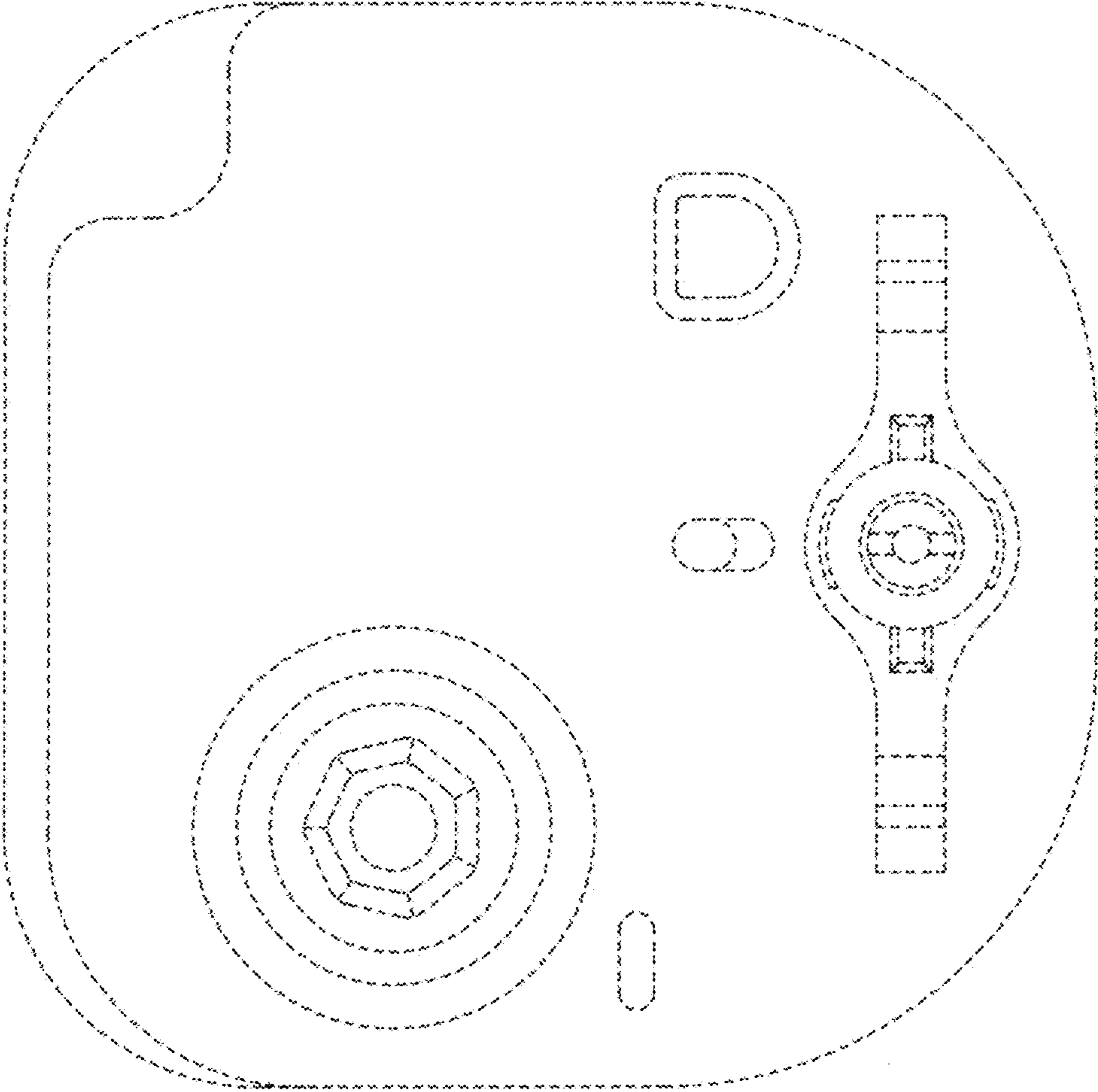


FIG. 5

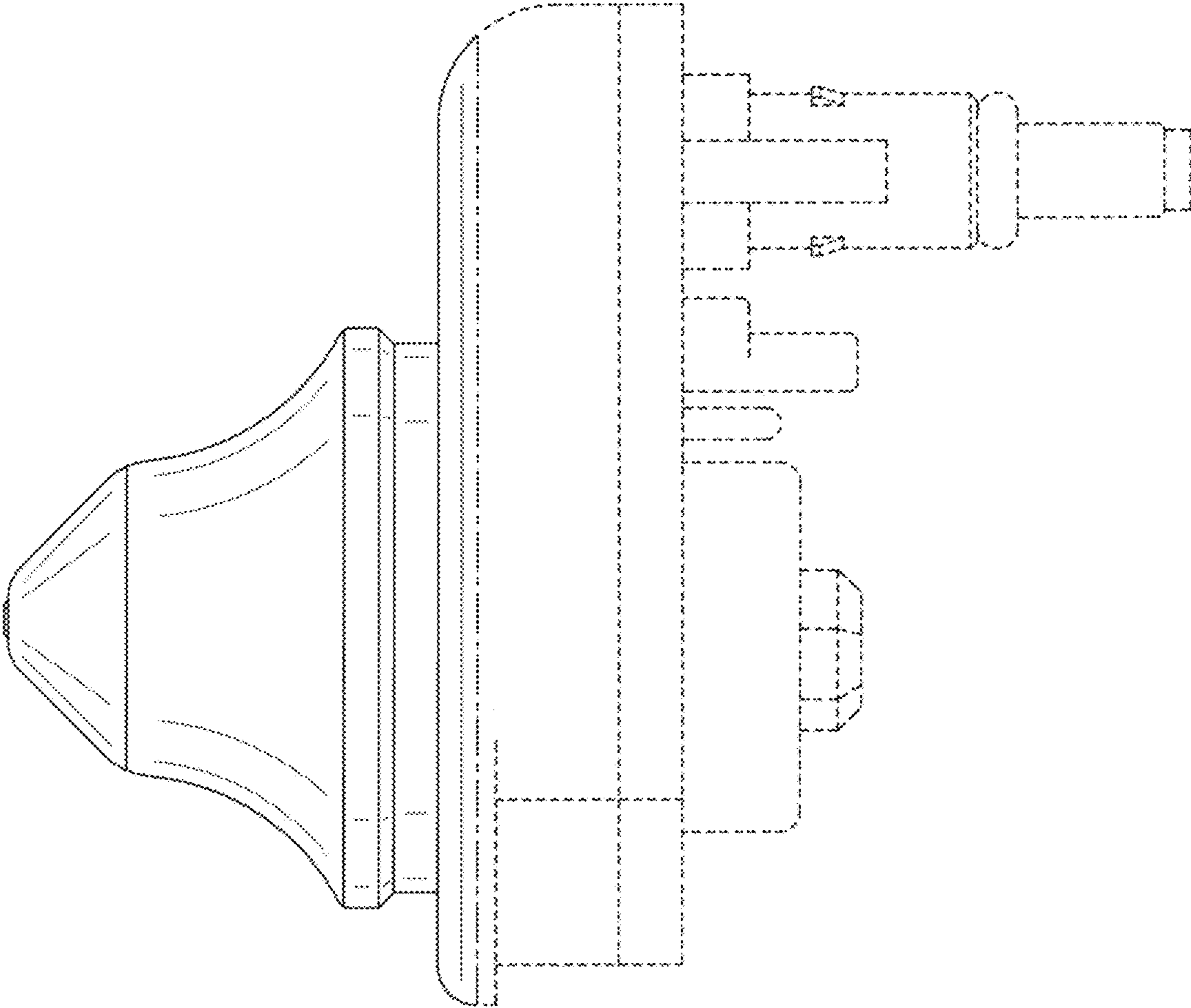


FIG. 6

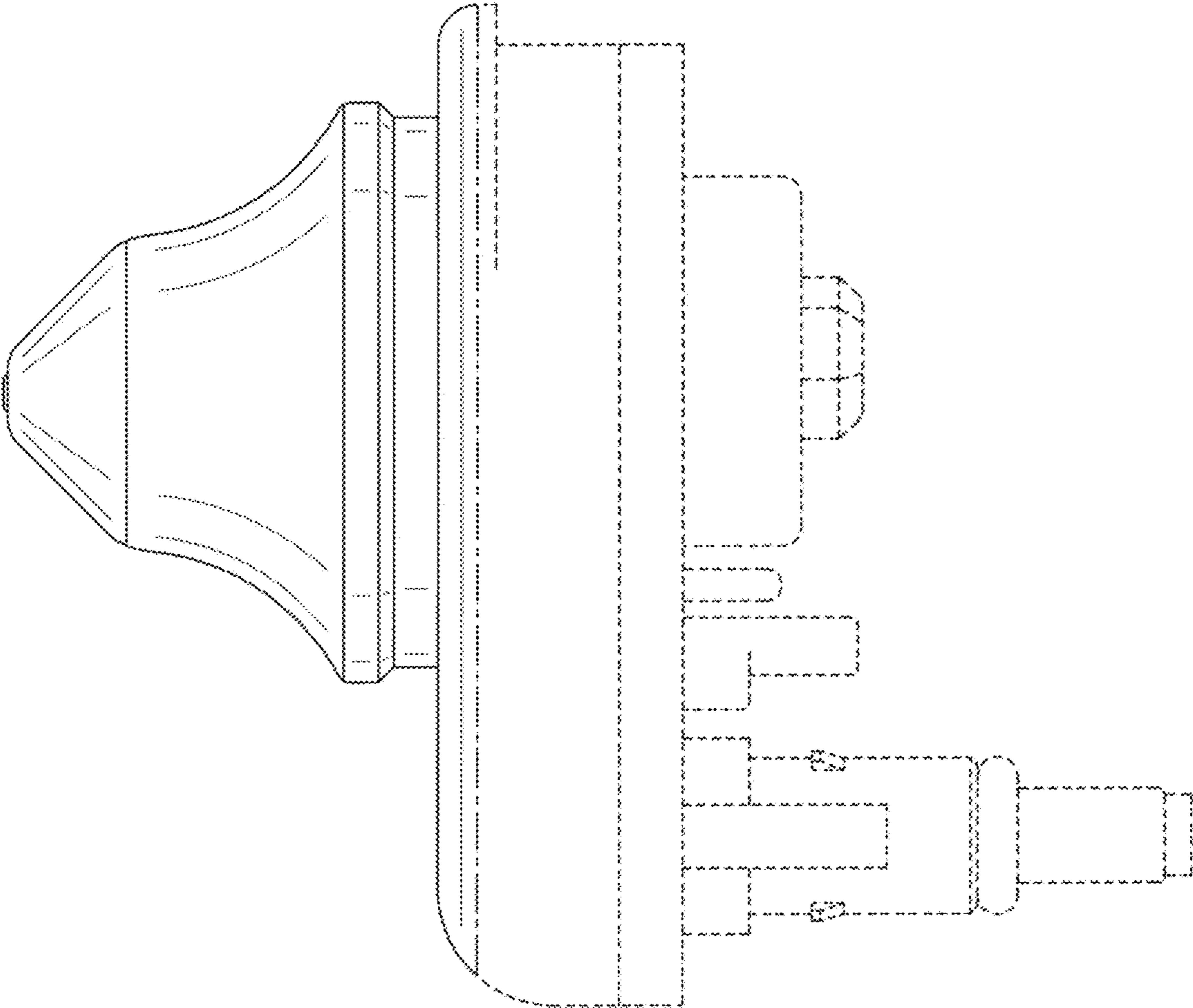


FIG. 7

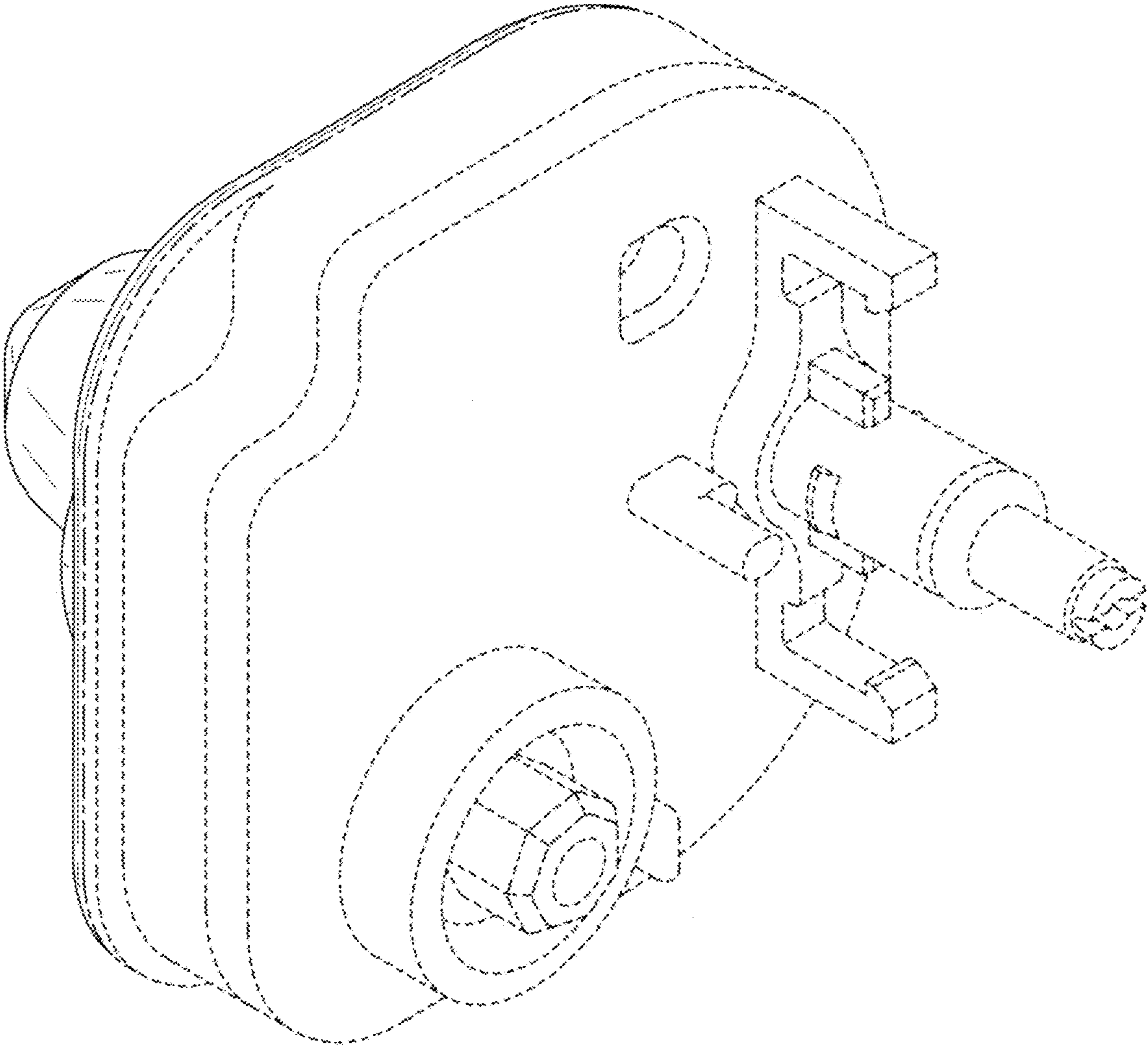


FIG. 8

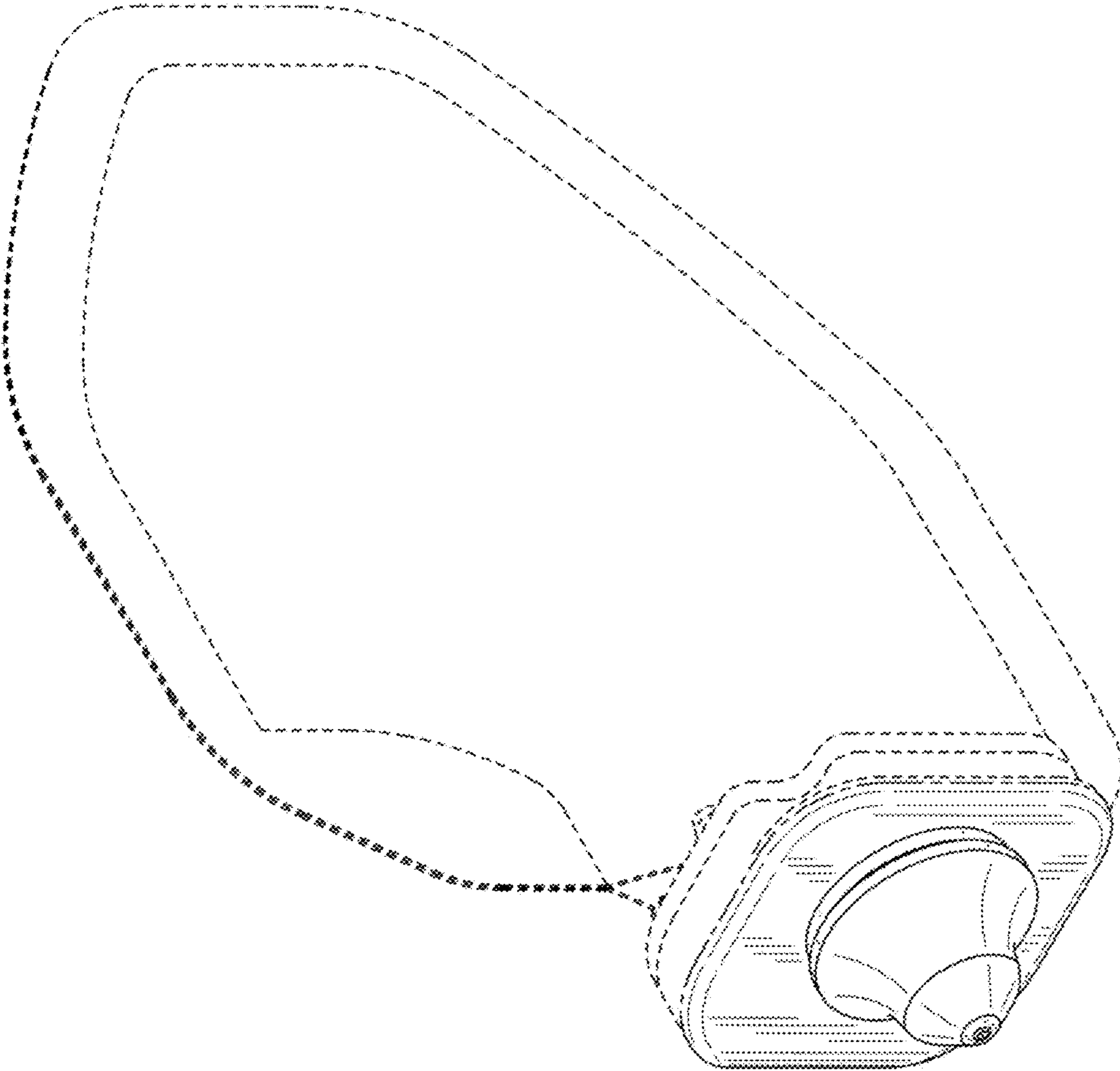


FIG. 9

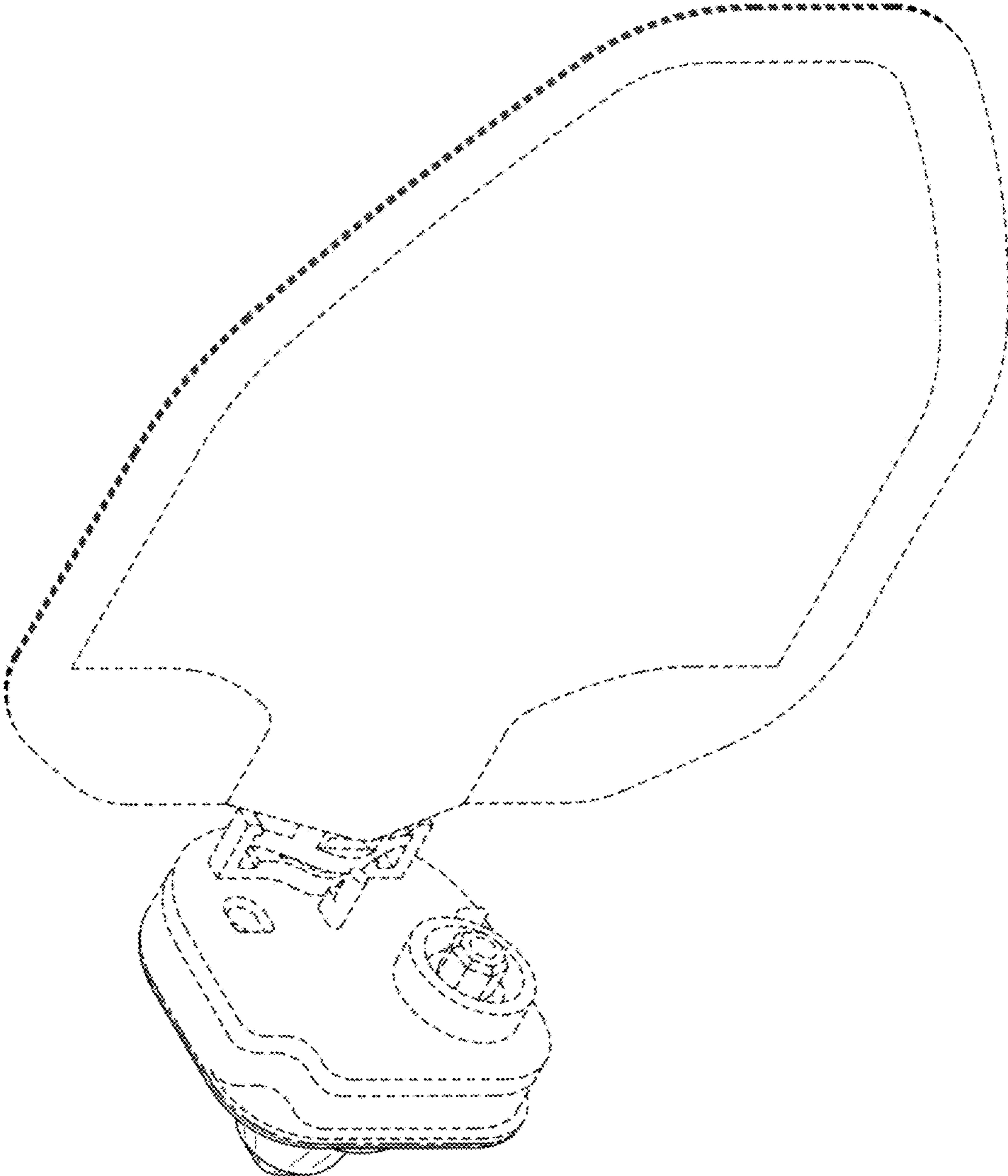


FIG. 10