



US00D977974S

(12) **United States Design Patent**
Kodama et al.

(10) **Patent No.:** **US D977,974 S**

(45) **Date of Patent:** **** Feb. 14, 2023**

(54) **NOZZLE FOR CARTRIDGE INSERTED IN A FLUID EMITTING DEVICE**

(71) Applicant: **KAO CORPORATION**, Tokyo (JP)

(72) Inventors: **Shinji Kodama**, Tokyo (JP); **Haruomi Enomoto**, Tokyo (JP)

(73) Assignee: **KAO CORPORATION**, Tokyo (JP)

(**) Term: **15 Years**

(21) Appl. No.: **29/715,156**

(22) Filed: **Nov. 27, 2019**

(30) **Foreign Application Priority Data**

May 31, 2019 (JP) 2019-012012

(51) **LOC (14) Cl.** **09-07**

(52) **U.S. Cl.**
USPC **D9/448**

(58) **Field of Classification Search**

USPC D3/17, 29; D7/368, 387, 389, 391, D7/392.1, 396.1, 396.2, 396.4, 397, 400, D7/514, 516, 519, 539, 544, 571, 573, D7/578; D9/414, 416, 417, 434, 435, D9/436, 439, 440, 441, 443, 445, 447, D9/448, 451, 452, 453, 454, 601, 682, D9/685, 686, 688, 690, 695, 707, 708,

(Continued)

(56) **References Cited**

U.S. PATENT DOCUMENTS

D26,539 S * 1/1897 Schram D9/447
D182,830 S * 5/1958 Libit D9/447

(Continued)

FOREIGN PATENT DOCUMENTS

JP D1237857 4/2005

OTHER PUBLICATIONS

Veil Applicator for Biomimesis Veil: Announced (Dec. 2019). Site Visited (Oct. 4, 2022). Available from URL: <https://www.kao.com/global/en/news/products/2020/20200807-001/>.*

(Continued)

Primary Examiner — Catherine S Posthauer

(74) *Attorney, Agent, or Firm* — Oblon, McClelland, Maier & Neustadt, L.L.P.

(57) **CLAIM**

The ornamental design for a nozzle for cartridge inserted in a fluid emitting device, as shown and described.

DESCRIPTION

FIG. 1 is a front, left side, top perspective view of a nozzle for cartridge inserted in a fluid emitting device showing our new design;

FIG. 2 is a front elevational view thereof;

FIG. 3 is a rear elevational view thereof;

FIG. 4 is a left side elevational view thereof;

FIG. 5 is a right side elevational view thereof;

FIG. 6 is a top plan view thereof;

FIG. 7 is a bottom plan view thereof;

FIG. 8 is a front, right side, top perspective view thereof;

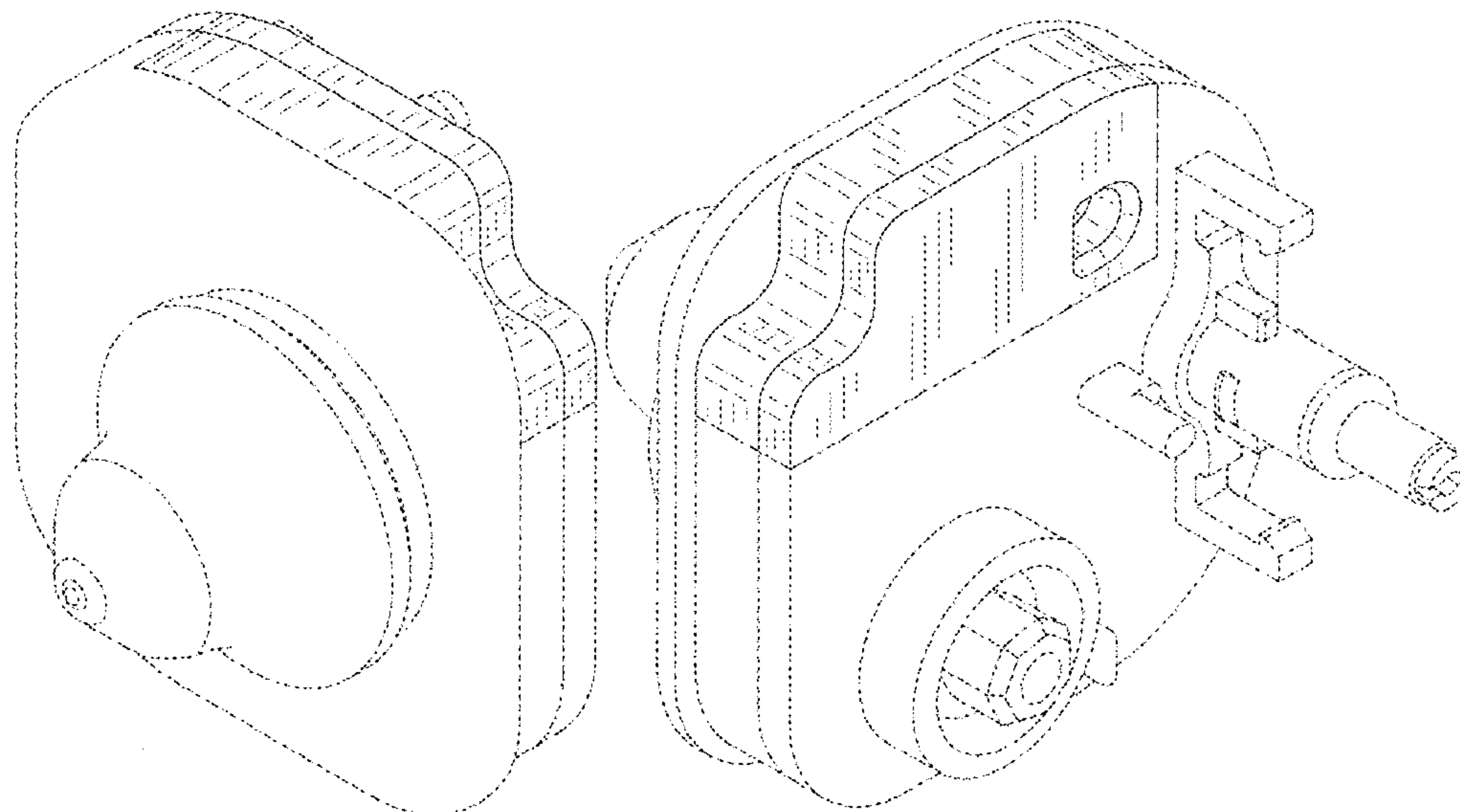
FIG. 9 is a cross-sectional view thereof, taken in the direction of line 9-9 of FIG. 5 (an internal mechanism is omitted);

FIG. 10 is a reference perspective view thereof, showing a state in which this article is used; and,

FIG. 11 is another reference perspective view thereof, showing a state in which this article is used.

The evenly broken lines are shown for the purpose of illustrating both parts of the article as well as environmental subject matter. The dot-dash lines represent the boundaries of the claim. None of the broken lines form part of the claimed design.

1 Claim, 11 Drawing Sheets



(58) **Field of Classification Search**

USPC D9/709, 723, 724, 727; D23/206, 208,
 D23/209, 213, 223, 226, 259, 260, 261;
 D24/112, 121, 127, 162, 194, 196;
 D28/4, 76, 79, 80, 81, 82, 84, 85, 87,
 D28/91.1; D6/542; D11/152
 CPC B65D 85/8064; B65D 85/8043; B65D
 77/20; B65D 25/48; B65D 2543/00046;
 B65D 2543/00092; B65D 2585/56; B65D
 2585/545; A47J 31/407; A47J 31/04;
 A47J 31/10; A47J 31/24; A23F 5/24;
 B05B 11/0032; B05B 11/0027; B05B
 11/3004; B05B 11/3015; B05B 11/306;
 B05B 11/3064; B05B 11/3059; B65B
 29/06; A45D 33/24; A45D 33/26; A45D
 33/28; A45D 40/00; A45D 40/20; A45D
 40/24; A45D 40/02; A45D 40/06; A45D
 40/18; A45D 40/262; A45D 34/00; A45D
 34/04; A45D 34/06; A45D 34/041

See application file for complete search history.

(56) **References Cited**

U.S. PATENT DOCUMENTS

D183,757 S * 10/1958 Libit D9/447
 D217,902 S * 6/1970 Derenski D9/447

D241,125 S * 8/1976 Knapp D9/447
 D398,233 S * 9/1998 Wood D9/447
 D448,291 S * 9/2001 Melhede D9/434
 D477,182 S * 7/2003 Brown D7/510
 D526,717 S 8/2006 Yamaguchi et al.
 D758,572 S * 6/2016 Rodewald D24/121
 D826,045 S * 8/2018 Pudselykke B65D 43/0256
 D9/435
 D837,976 S * 1/2019 Kaye D24/121
 D899,584 S * 10/2020 Carrubba D24/110
 2014/0155847 A1* 6/2014 Neatrou A61M 1/0001
 604/319

OTHER PUBLICATIONS

Biomimesis Veil Potion: Site Visited (Oct. 4, 2022). Available from
 URL: [https://www.sensai-cosmetics.com/global/en/products/skincare/
 biomimesis_veil/veil_potion/](https://www.sensai-cosmetics.com/global/en/products/skincare/biomimesis_veil/veil_potion/).*

Biomimesis Veil Potion: Site Visited (Oct. 4, 2022). Available from
 URL: [https://web.sofina.com/sg/est/products/biomimesisveil/
 biomimesisveil_potion/](https://web.sofina.com/sg/est/products/biomimesisveil/biomimesisveil_potion/).*

Notice issued on Nov. 22, 2019 by the Japanese Patent Office in
 Japanese Design Application No. 2019-012012 citing document AO
 therein.

Notice issued on Oct. 18, 2019 by the Japanese Patent Office in
 Japanese Design Application No. 2019-012013 citing documents
 AA and AO therein.

* cited by examiner

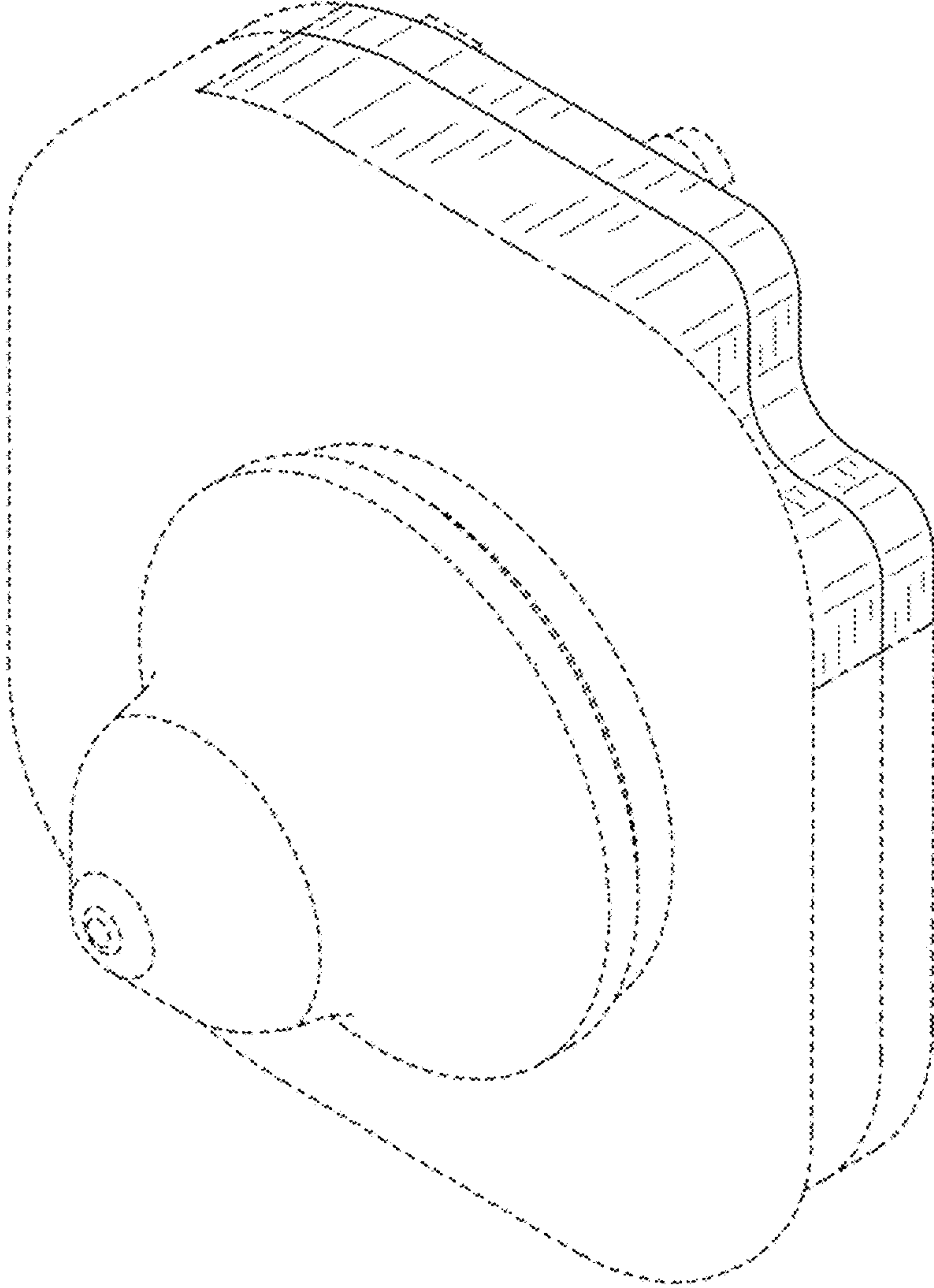


FIG. 1

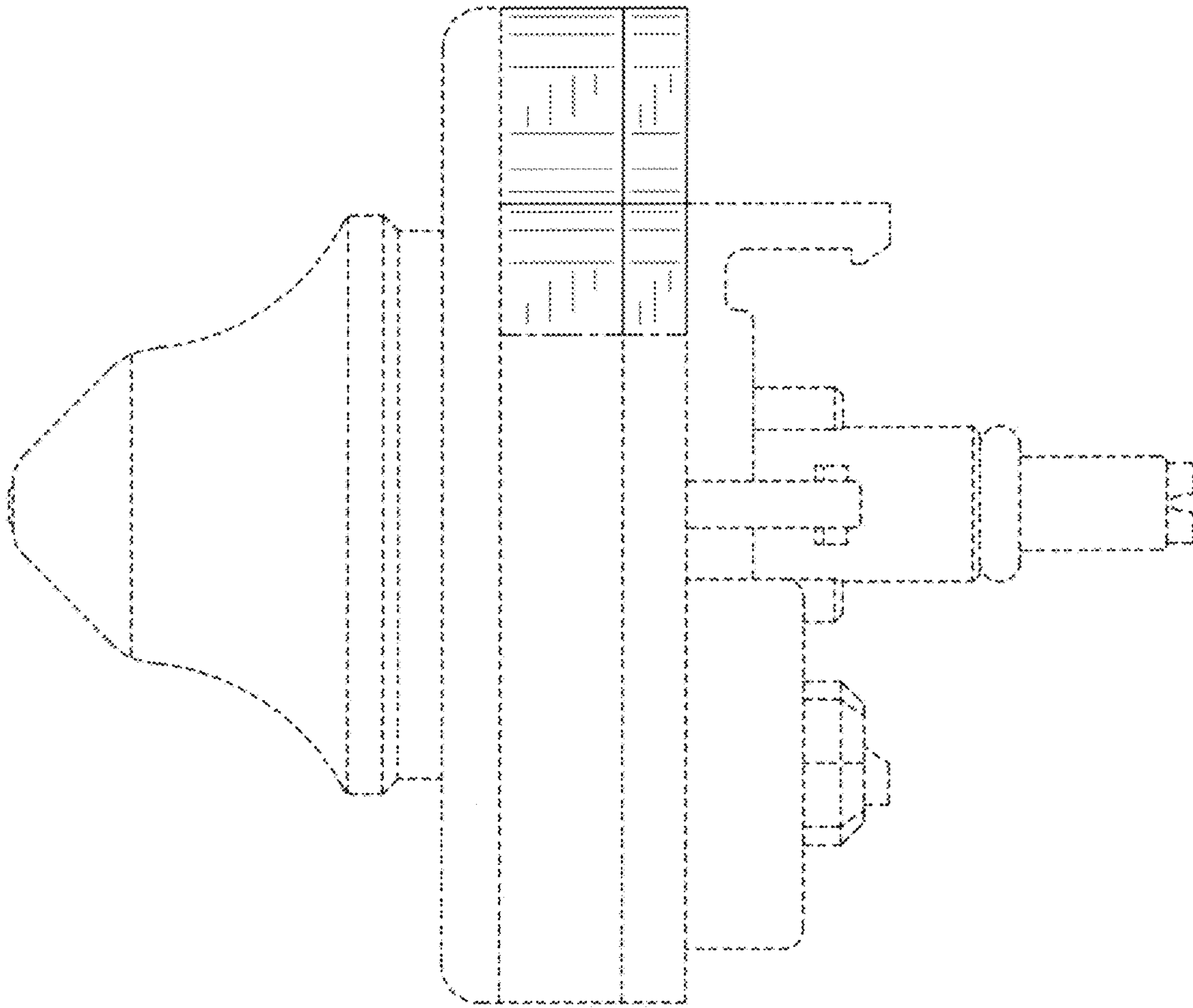


FIG. 2

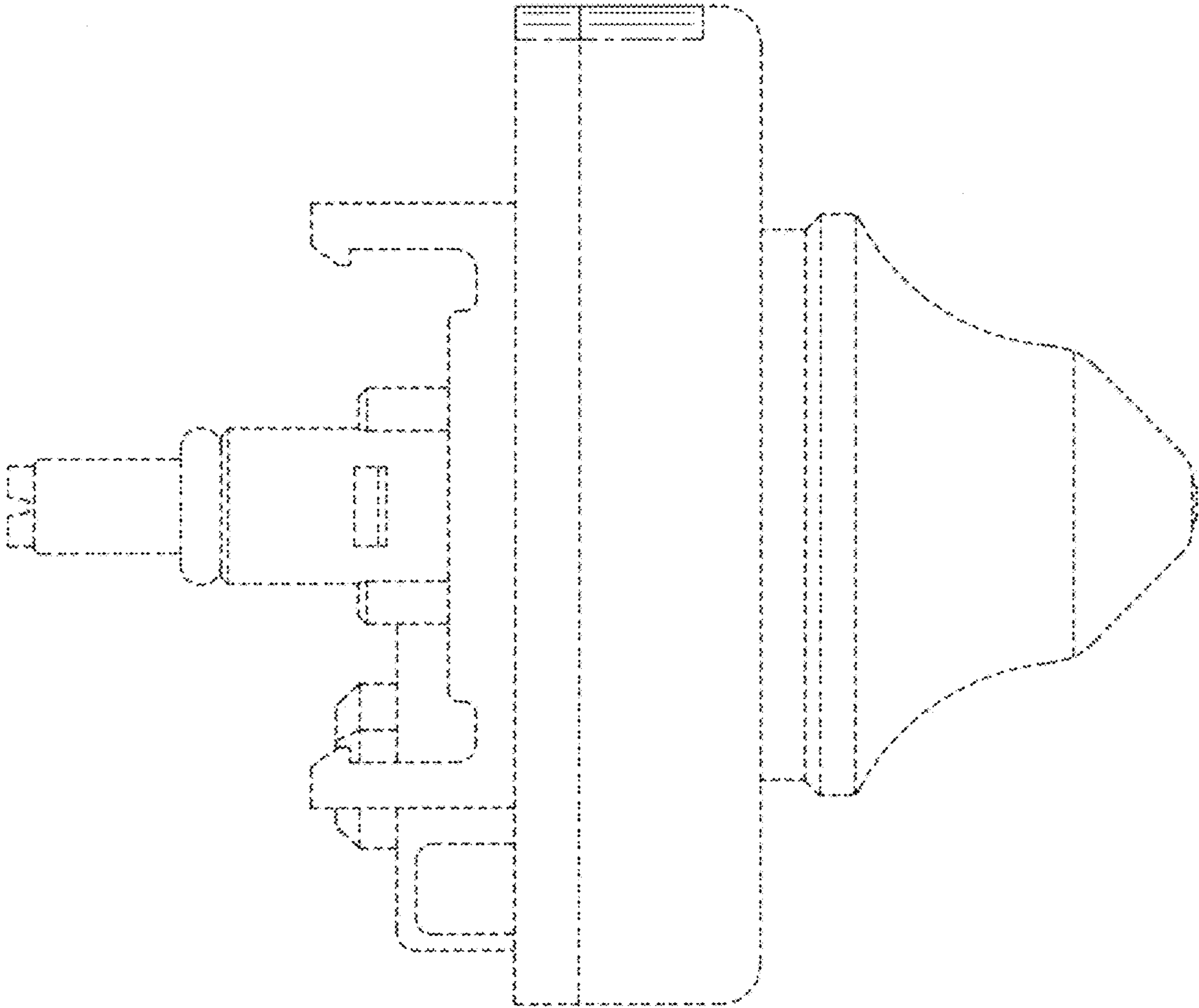


FIG. 3

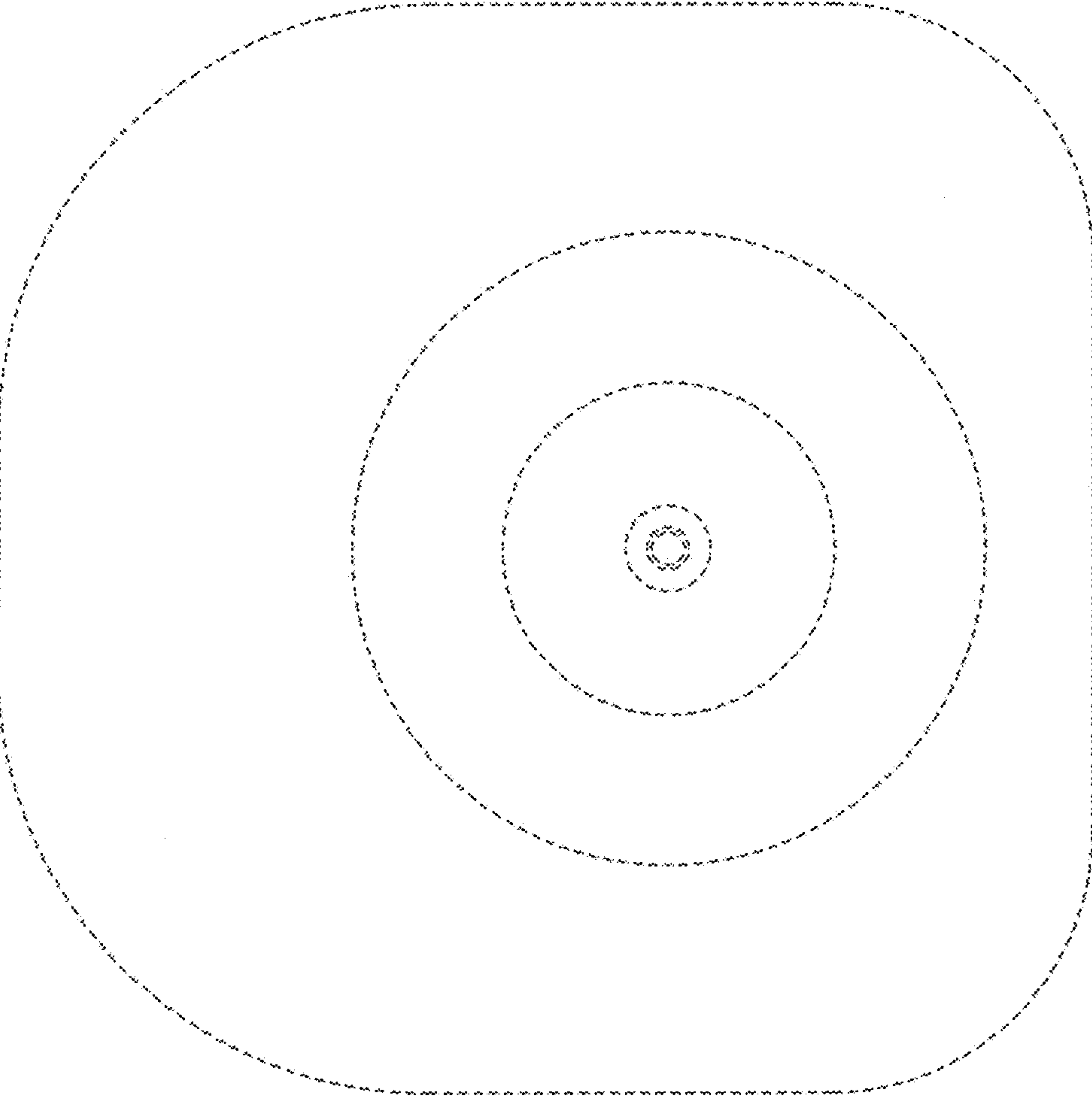


FIG. 4

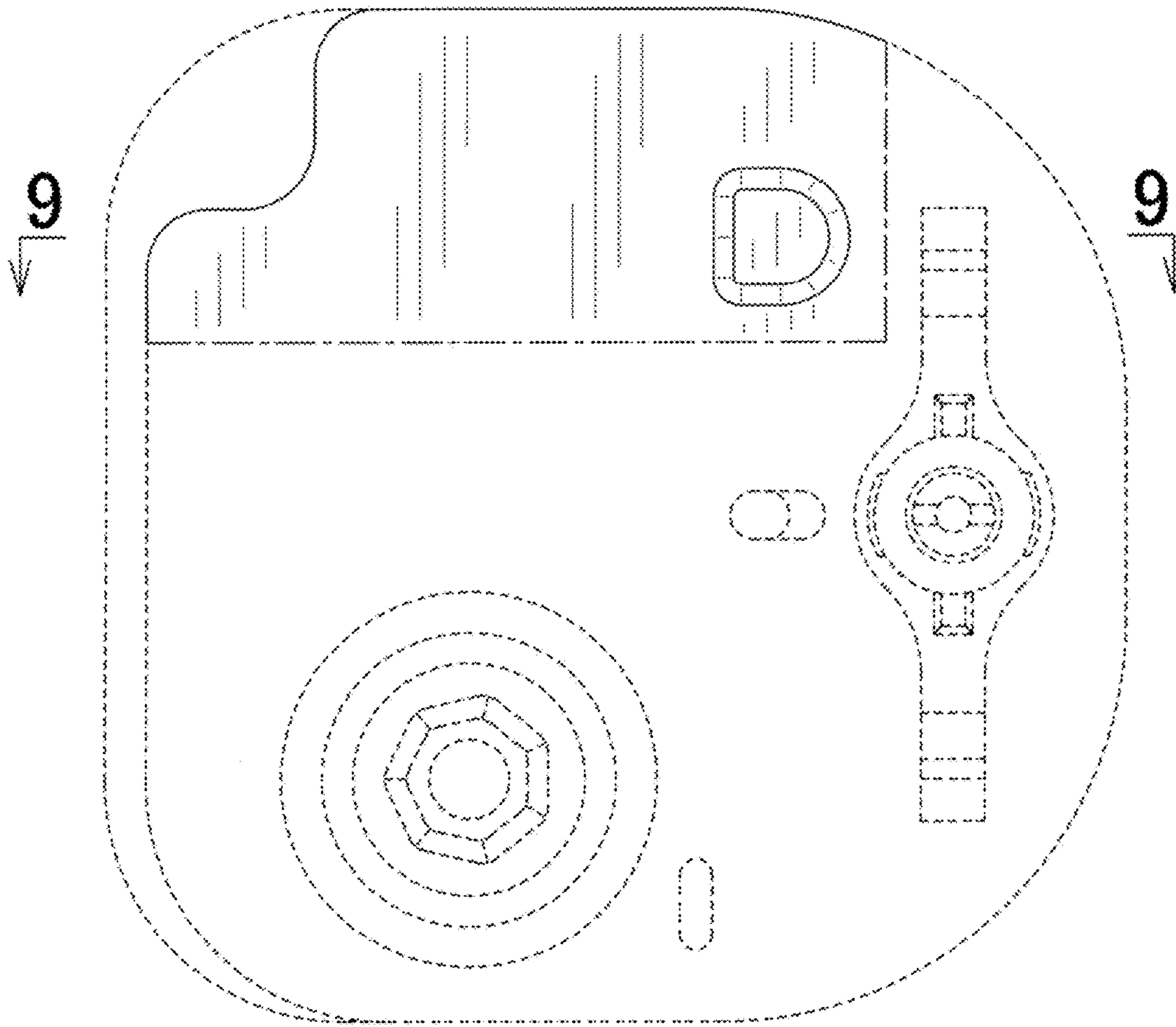


FIG. 5

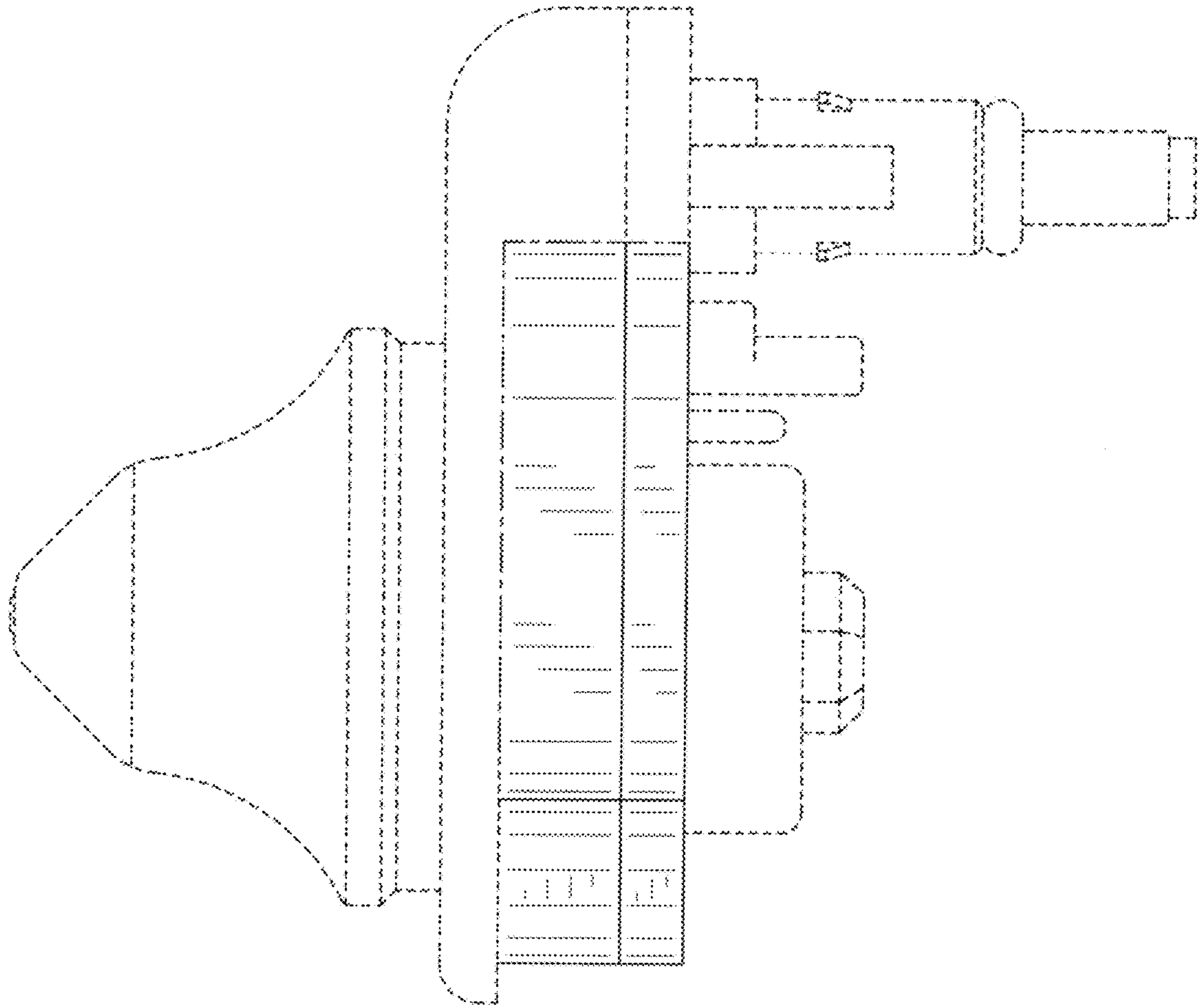


FIG. 6

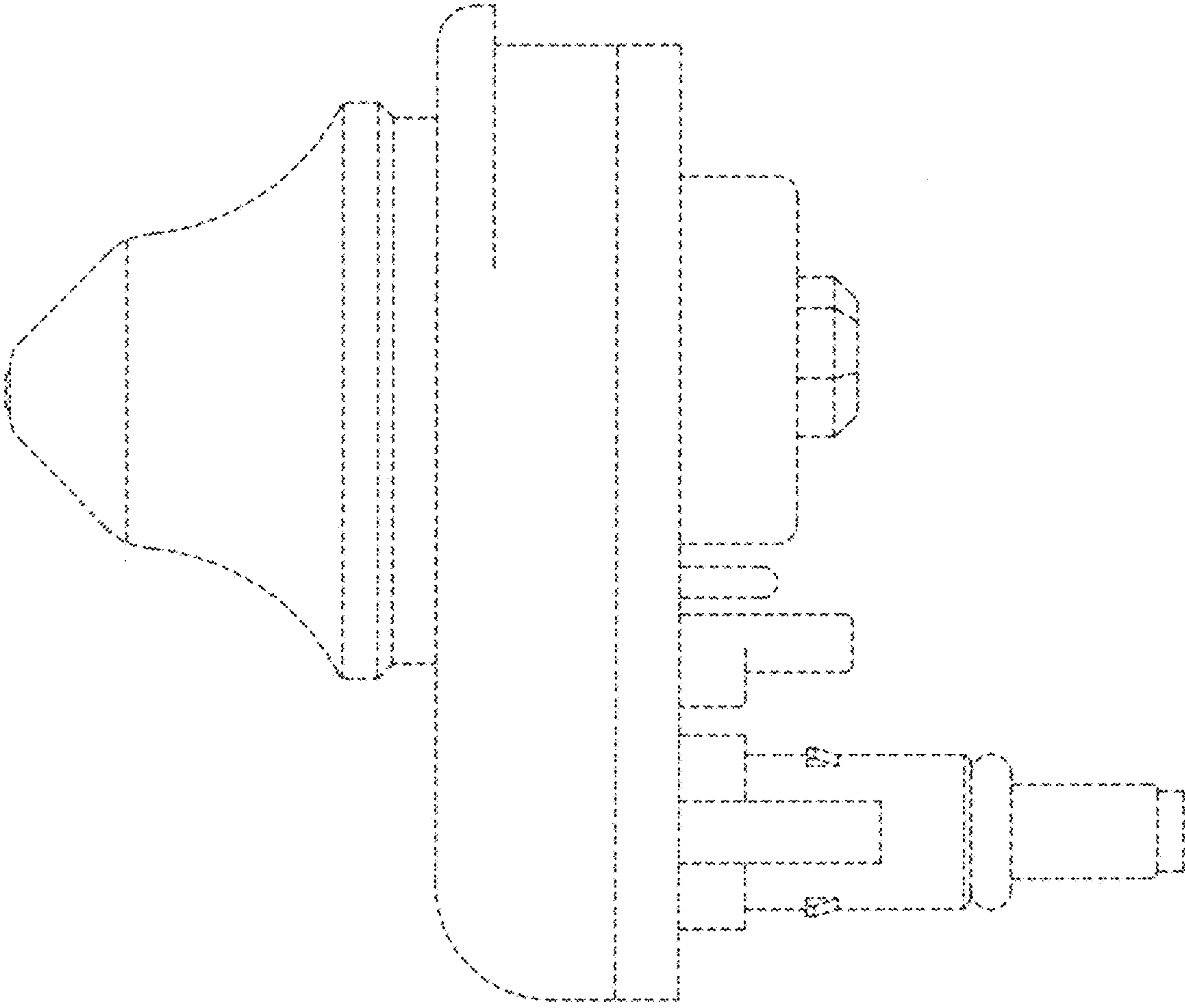


FIG. 7

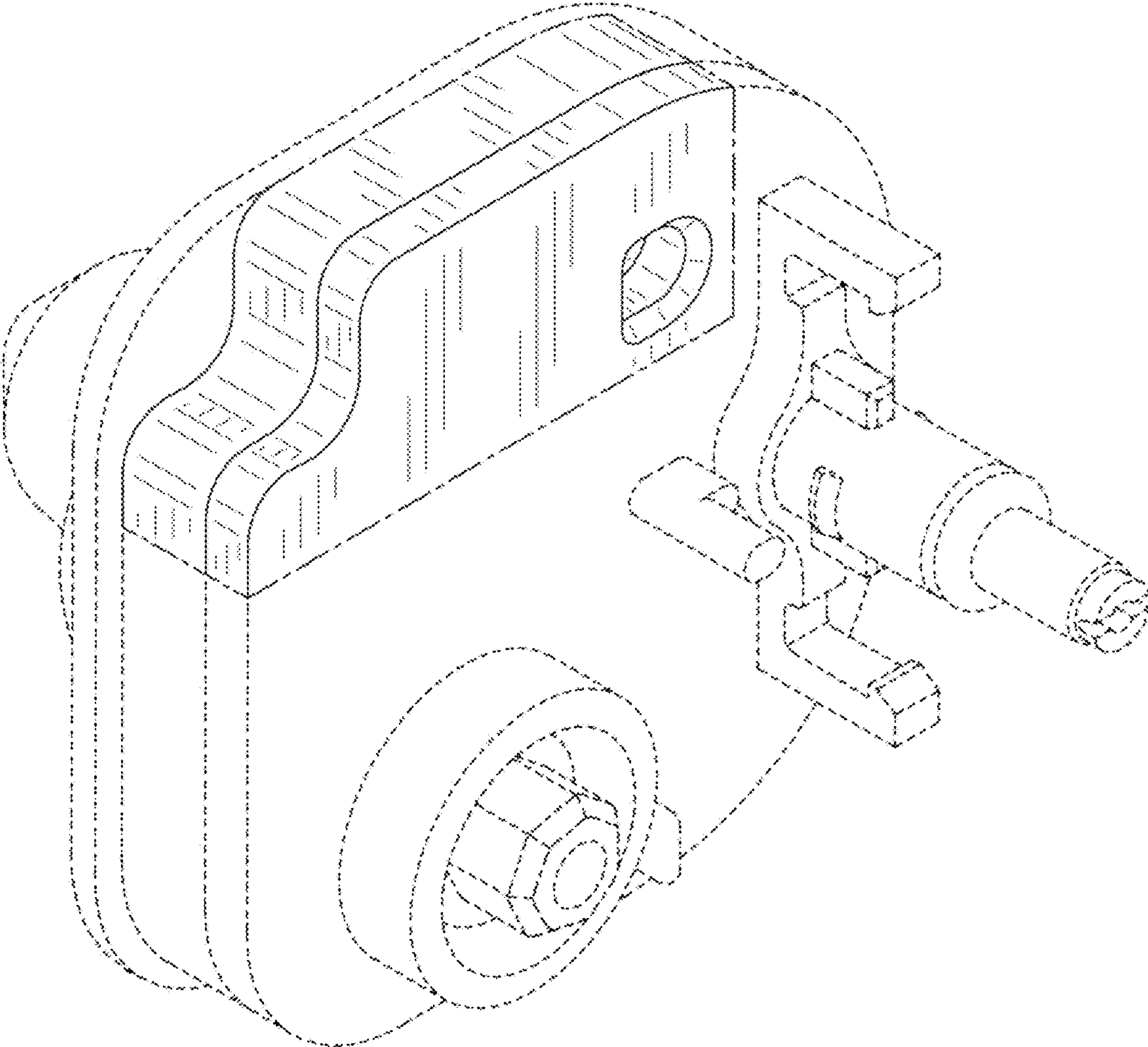


FIG. 8

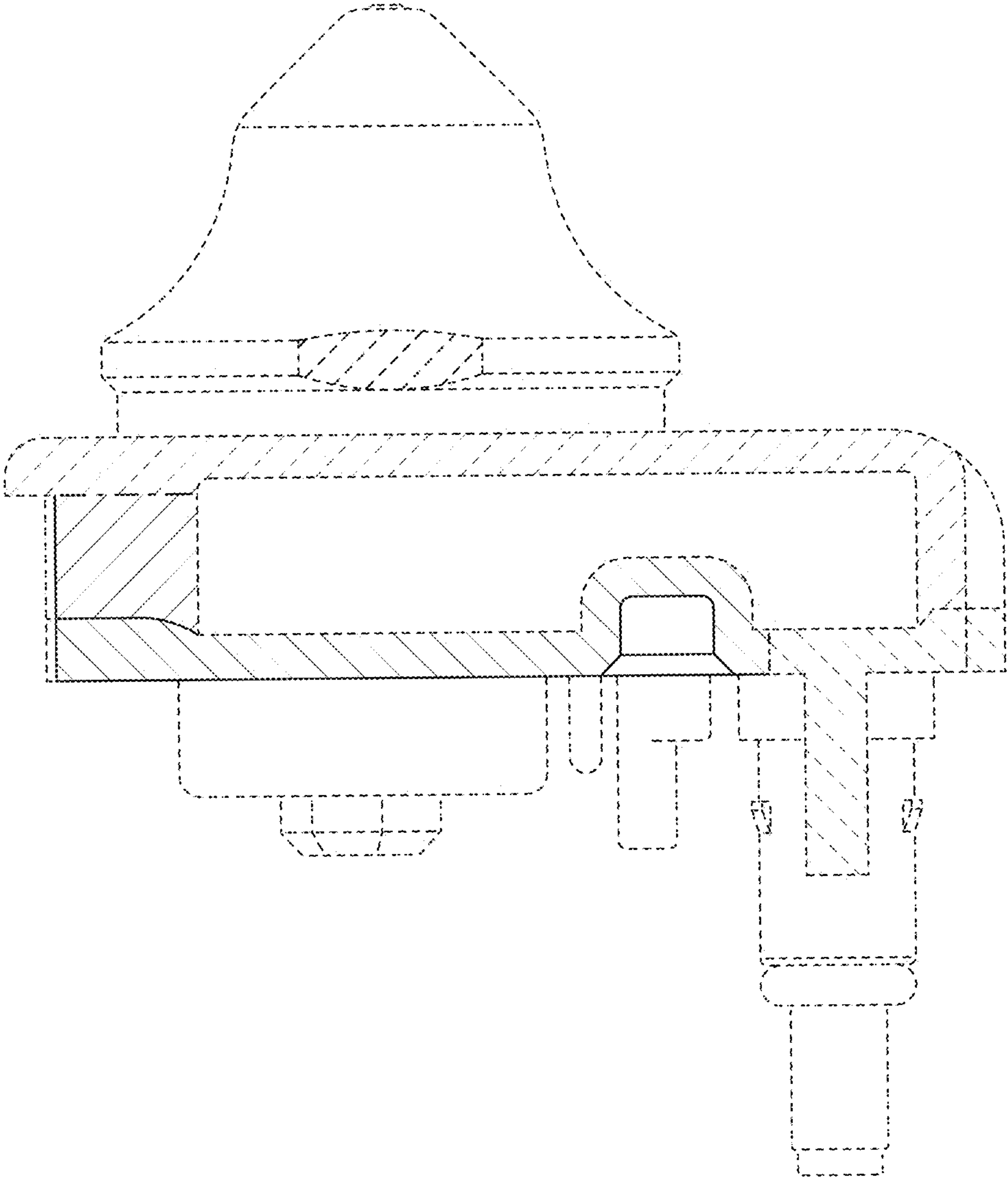


FIG. 9

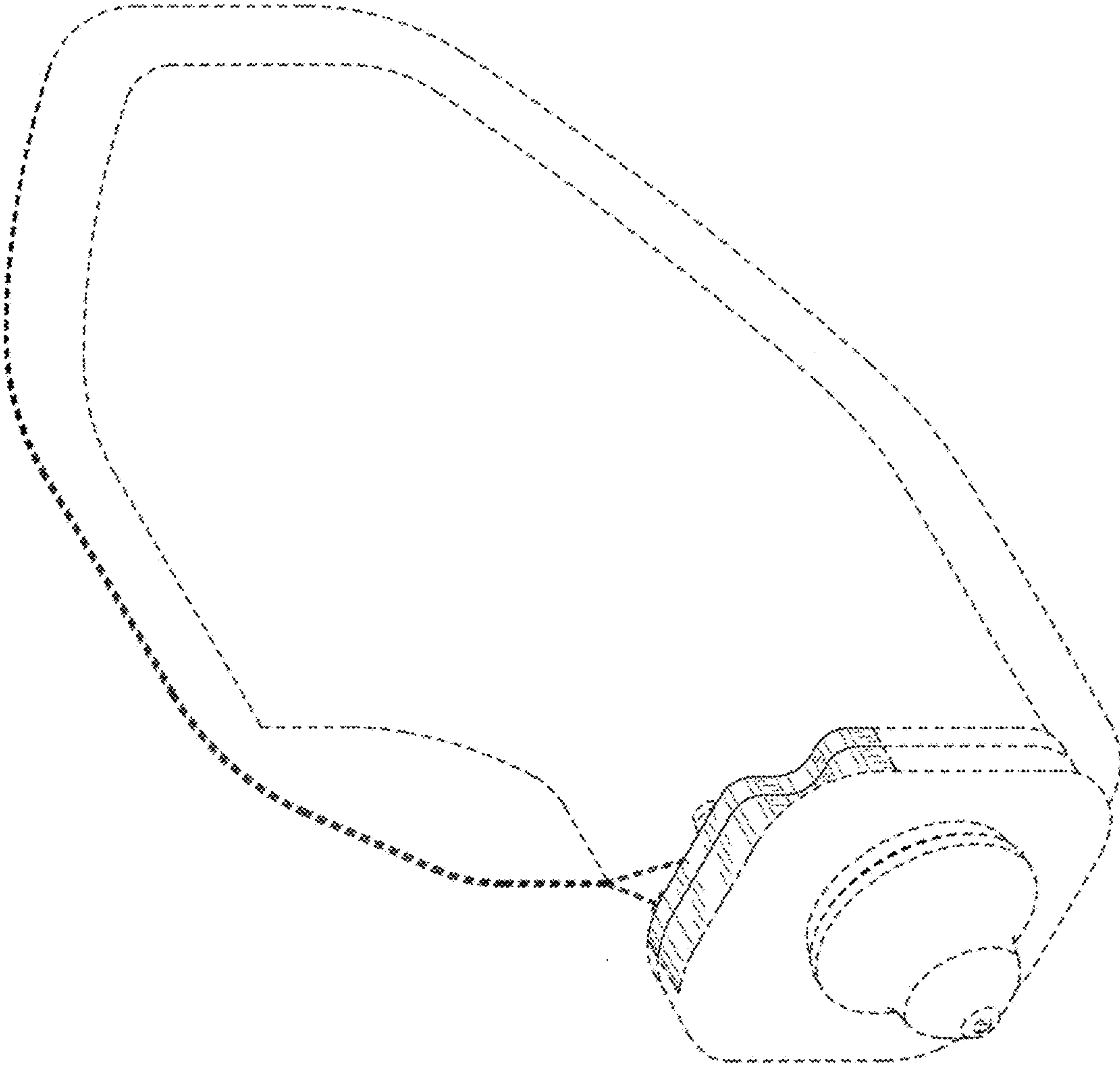


FIG. 10

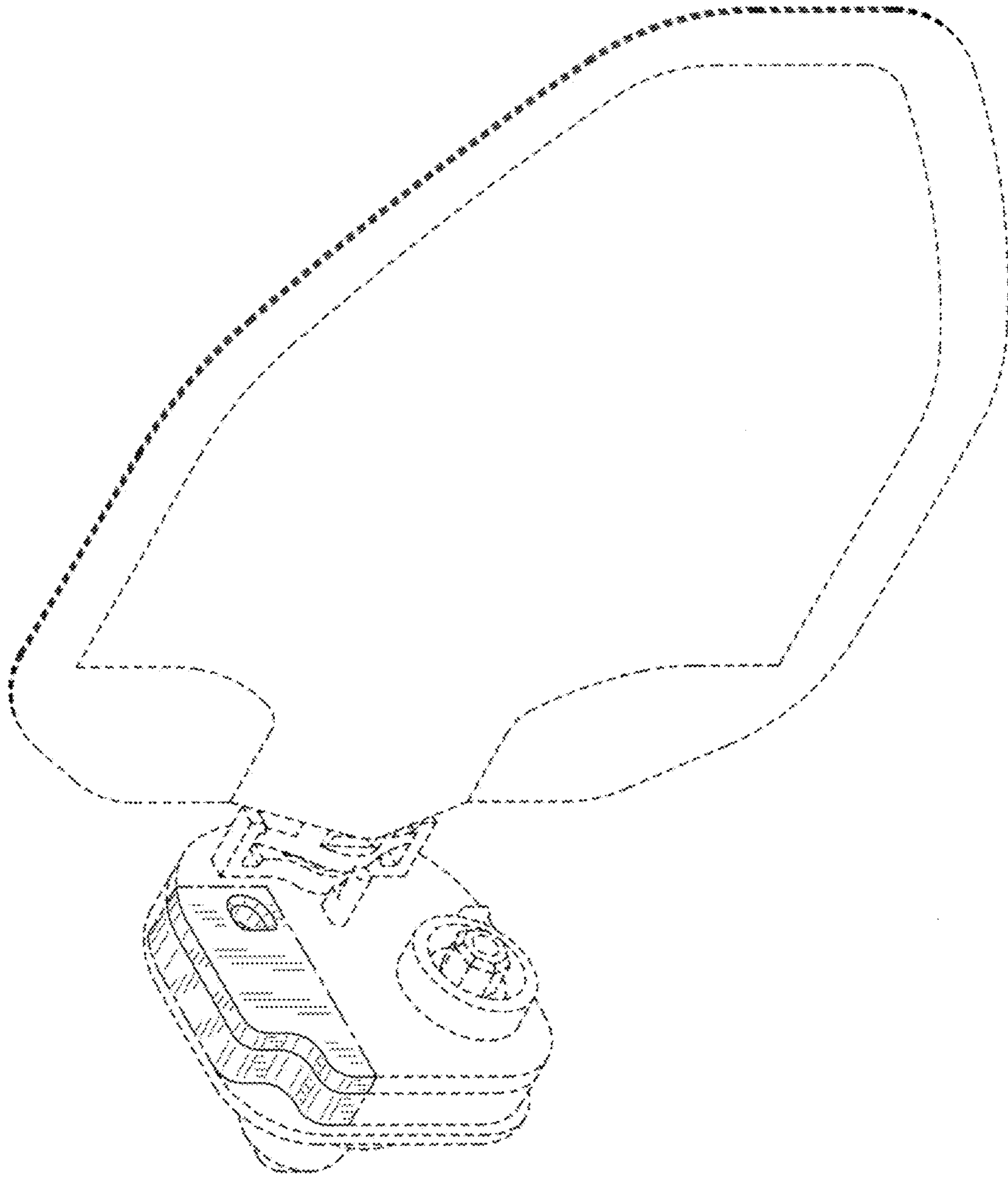


FIG. 11