



US00D977973S

(12) **United States Design Patent**
Kutcher

(10) **Patent No.:** **US D977,973 S**

(45) **Date of Patent:** **** Feb. 14, 2023**

(54) **CONTAINER PLUG**

(71) Applicant: **Brendan Kutcher**, Pittsburgh, PA (US)

(72) Inventor: **Brendan Kutcher**, Pittsburgh, PA (US)

(**) Term: **15 Years**

(21) Appl. No.: **29/825,986**

(22) Filed: **Feb. 8, 2022**

(51) **LOC (14) Cl.** **07-06**

(52) **U.S. Cl.**
USPC **D9/439**

(58) **Field of Classification Search**

USPC D7/312, 313, 316, 387, 393, 396.1,
D7/396.2, 397, 398, 400; D9/434-442,
D9/446, 447, 451, 452, 453, 454;
D23/206, 209, 238, 249, 255, 259, 260,
D23/261, 265; D12/197
CPC A47J 31/0673; B65D 85/8046; B65D
2251/0015; B65D 2251/0071; B65D
2251/20; B65D 47/2031; A61J 1/2096;
A61J 1/2051; A61J 1/14

See application file for complete search history.

(56) **References Cited**

U.S. PATENT DOCUMENTS

D34,955 S 8/1901 Thatcher
D199,440 S 10/1964 Jones
3,482,723 A * 12/1969 Esposito, Jr. B65D 50/065
215/221
D224,668 S * 8/1972 Burger D9/439
D240,716 S 7/1976 Hegi
D248,873 S 8/1978 Raitto
D289,796 S 5/1987 Larkin
D292,673 S 11/1987 Woodruff

(Continued)

FOREIGN PATENT DOCUMENTS

EP 1992570 A1 * 11/2008 B65D 47/063
WO WO-2010065998 A1 * 6/2010 A61J 1/1418
WO WO-2015174950 A1 * 11/2015 B65D 47/2031

OTHER PUBLICATIONS

5 Gallon Jug Cap: Announced Jun. 11, 2022 (online). Site Visited (Aug. 10, 2022). Available from Internet URL: https://www.amazon.com/dp/B0B355XKXJ/ref=sspa_dk_detail_0?psc=1&pf_rd_p=bff6e147-54ad-4be3-b4ea-ec19ea6167f7&pf_rd_r=NCZYP313CXFPRVK5QS1R&pd_rd_wg=jiUzp&pd_rd_w=LL3hp&content-id=amzn1.sym.bff6e147-54ad-4be3-b4ea-ec19ea6167f7&pd_rd_r=c25fcf47-758d-4909-8dca-b8ef4ffb7d4&s=sporting-goods&sp_csd=d2lkZ2V0TmFtZT1zcF9kZ.*

(Continued)

Primary Examiner — Catherine S Posthauer

(74) *Attorney, Agent, or Firm* — QuickPatents, LLC; Kevin Prince

(57) **CLAIM**

The ornamental design for a container plug, as shown and described.

DESCRIPTION

FIG. 1 is a top perspective view of a container plug, showing my new design, shown in a position of use with part of an exemplary container;

FIG. 2 is a bottom perspective view thereof, shown with the exemplary container removed to show aspects of the design not visible when combined;

FIG. 3 is a top plan view thereof;

FIG. 4 is a bottom plan view thereof;

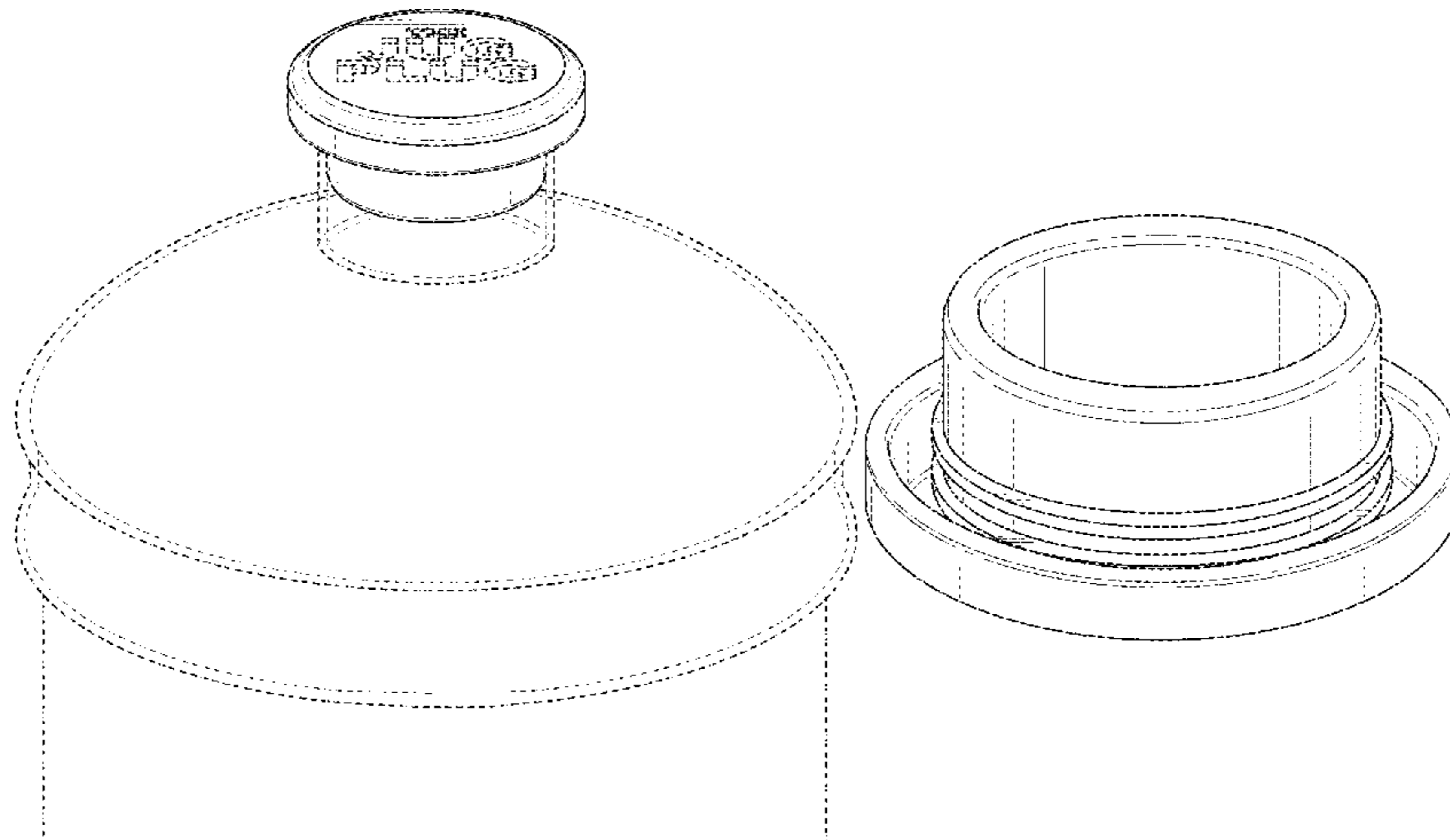
FIG. 5 is a front elevational view thereof, the rear elevational view being a mirror image thereof; and,

FIG. 6 is a cross-sectional view thereof, taken along line 6-6 of FIG. 3.

The broken lines showing a water bottle in FIG. 1 depict environmental matter and form no part of the claimed design. The remaining broken lines represent portions of the container plug that form no part of the claimed design.

The “The Jug Plug” logo shown in the drawings, and forming no part of the claim, is a registered trademark of Brendan Kutcher. The broken lines are shown for the purpose of illustrating both parts of the article as well as

(Continued)



environmental subject matter of an exemplary container.
None of the broken lines form part of the claimed design.

1 Claim, 5 Drawing Sheets

(56)

References Cited

U.S. PATENT DOCUMENTS

D292,674 S	11/1987	Morris	
D296,524 S	7/1988	Schneider	
5,085,332 A *	2/1992	Gettig	B65D 55/0872 215/277
D328,033 S	7/1992	DiGuseppi	
D349,648 S	8/1994	Tirrell	
D370,629 S	6/1996	Lynch	
D409,486 S	5/1999	Goserud	
5,901,866 A *	5/1999	Storar	B65D 51/241 215/249
D428,812 S	8/2000	Bakic	
D448,294 S *	9/2001	Alscher	D9/435
D492,596 S	7/2004	Miceli	
D504,819 S	5/2005	Kelley	
D543,107 S	5/2007	Reed	
D552,992 S	10/2007	Spencer	
D564,636 S *	3/2008	Hanna	D23/261
D564,879 S *	3/2008	Baughman	D9/454
D567,084 S	4/2008	Batton	
D574,066 S *	7/2008	Hanna	D23/261
D620,358 S	7/2010	Jewett	
D621,915 S *	8/2010	Fima	D23/261
D623,518 S	9/2010	Camomile	
D628,077 S	11/2010	Lee	
7,909,188 B2	3/2011	Kim	
D638,707 S	5/2011	Stoffers	
D678,770 S	3/2013	Kawamura	
D682,097 S	5/2013	Chiorazzi	
D686,496 S	7/2013	Struli	
D708,945 S	7/2014	Jetmar	
D710,196 S	8/2014	Ivosevic	
D724,431 S	3/2015	De Los Rios	
D729,063 S	5/2015	Koop	
D754,537 S	4/2016	Prozumenshchikov	
D754,542 S	4/2016	Shaw	
D787,025 S *	5/2017	Taylor	D23/260
D788,886 S	6/2017	Salzer	
D799,963 S	10/2017	Akiyama	
D805,899 S	12/2017	Marantis	
D819,443 S	6/2018	Martinez Carregui	
D832,106 S	10/2018	Deylamian	
D839,738 S	2/2019	Hudson	

D840,000 S *	2/2019	Yoshihara	D23/260
D845,126 S	4/2019	Prozumenshchikov	
D854,927 S	7/2019	Biesecker Longacre	
D856,143 S	8/2019	Tartock	
D859,986 S	9/2019	Marantis	
D871,906 S	1/2020	Ramsey	
D879,551 S *	3/2020	Byrd	D7/392.1
D899,926 S	10/2020	Guduru	
D906,805 S	1/2021	Guduru	
D917,225 S	4/2021	Huang	
D917,622 S *	4/2021	Hsu	D21/333
D920,103 S	5/2021	Griffin	
D921,161 S *	6/2021	Laible	D23/249
D923,476 S	6/2021	Davies	
D926,572 S	8/2021	Marantis	
D926,576 S	8/2021	Hartley	
D933,477 S	10/2021	Glaser	
D941,145 S	1/2022	Wang	
D942,270 S	2/2022	Jackson	
D946,399 S	3/2022	Whincup	
D947,025 S	3/2022	Diaz	
D949,014 S	4/2022	Fengke	
2009/0001042 A1 *	1/2009	Sever	B65D 51/241 215/277
2010/0206836 A1	8/2010	Koshidaka	

OTHER PUBLICATIONS

5 Gallon Water Jug Cap: Announced [Mar. 13, 2021] (online). Site Visited (Aug. 10, 2022). Available from Internet URL: https://www.amazon.com/dp/B08YVMKQ3B/ref=sspa_dk_detail_3?psc=1&pf_rd_p=3481f441-61ac-4028-9c1a-7f9ce8ec50c5&pf_rd_r=TSHNHEMP0A3PRGS4JGHD&pd_rd_wg=FA8k8&pd_rd_w=KfJ56&content-id=amzn1.sym.3481f441-61ac-4028-9c1a-7f9ce8ec50c5&pd_rd_r=b27cd1a3-a747-4029-8805-f8a312582b75&s=sporting-goods&sp_csd=d2lkZ2V0TmFtZT1zcF9kZ.*

The Jug Plug: Announced Oct. 21, 2021 (online). Site Visited (Aug. 10, 2022). Available from Internet URL: https://www.amazon.com/Jug-Plug-Reusable-Replacement-Silicone/dp/B09KDZFG17.*

Amazon.com product ASIN B00XAXFJ3W, “2PK—TRRWC02 Reusable No-Splash Cap . . .” downloaded from the Internet on Feb. 8, 2022 from “https://www.amazon.com/2PK-TRRWC02-Reusable-No-Splash-dispensers/dp/B00XAXFJ3W/ref=sr_1_1?keywords=Reusable-No-Splash-Gallon-bottles-dispensers&qid=1644353362&sr=8-1”.

Amazon.com product ASIN B06XSZPPPX, “AquaNation AQ6DEW Dew Cap Replacement” downloaded from the Internet on Feb. 8, 2022 from “https://www.amazon.com/AquaNation-AQ6DEW-Dew-Replacement-Quality/dp/B06XSZPPPX/ref=sr_1_1?crid=2IKJNUUE4IFBS&keywords=B06XSZPPPX&qid=1644353549&sprefix=b06xszpppx%2Caps%2C120&sr=8-1”.

* cited by examiner

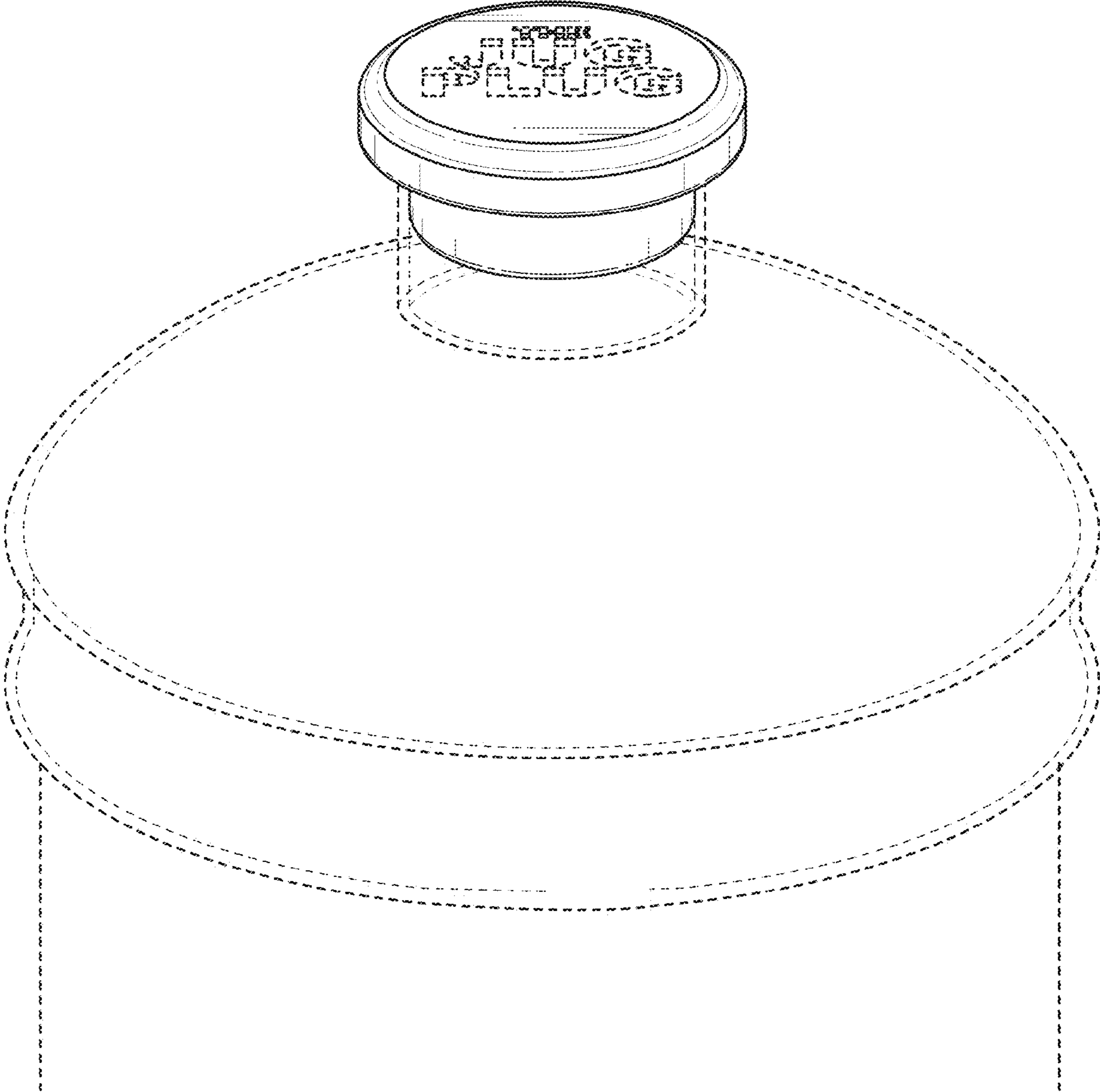


FIG. 1

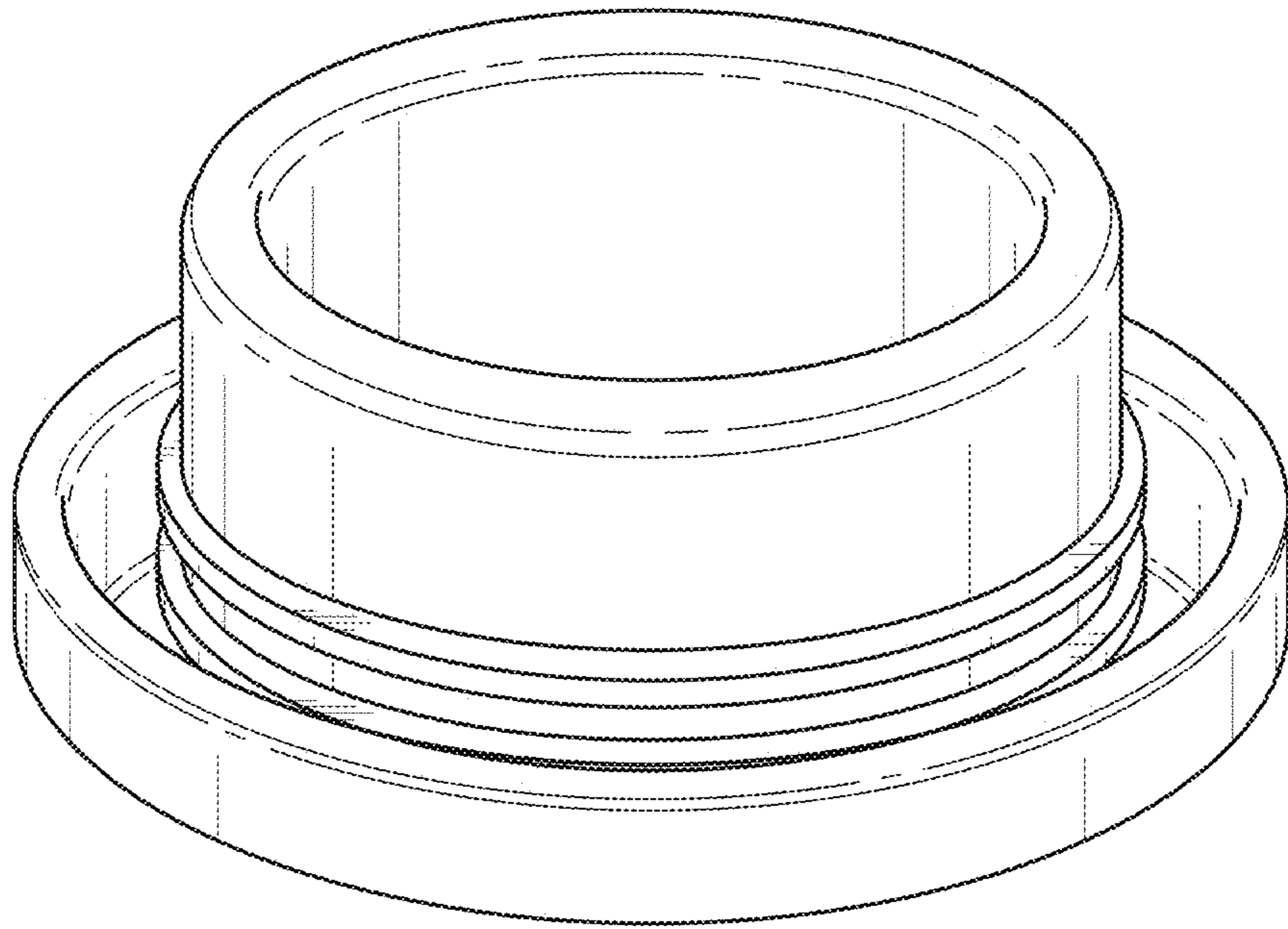


FIG. 2

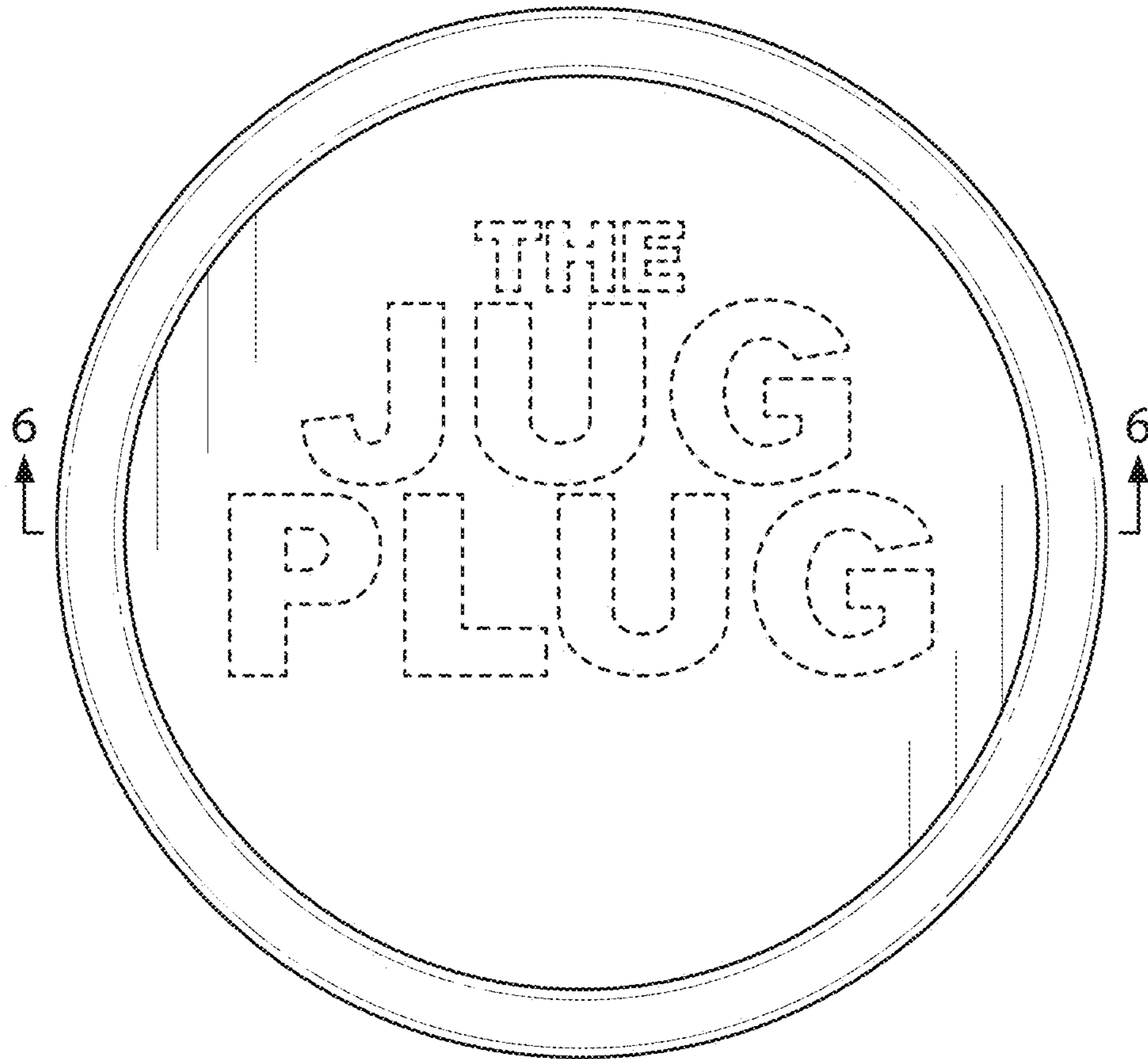


FIG. 3

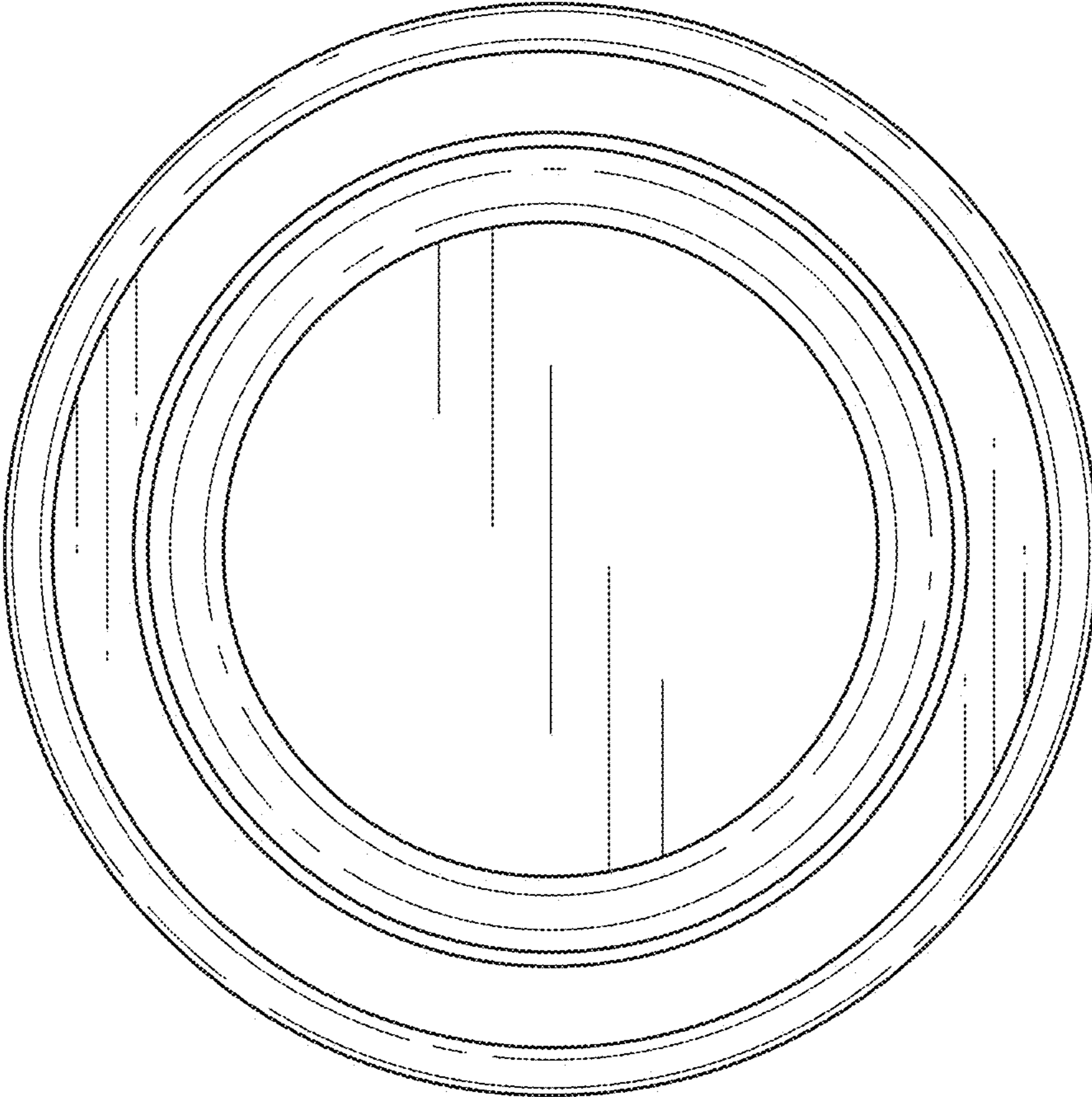


FIG. 4

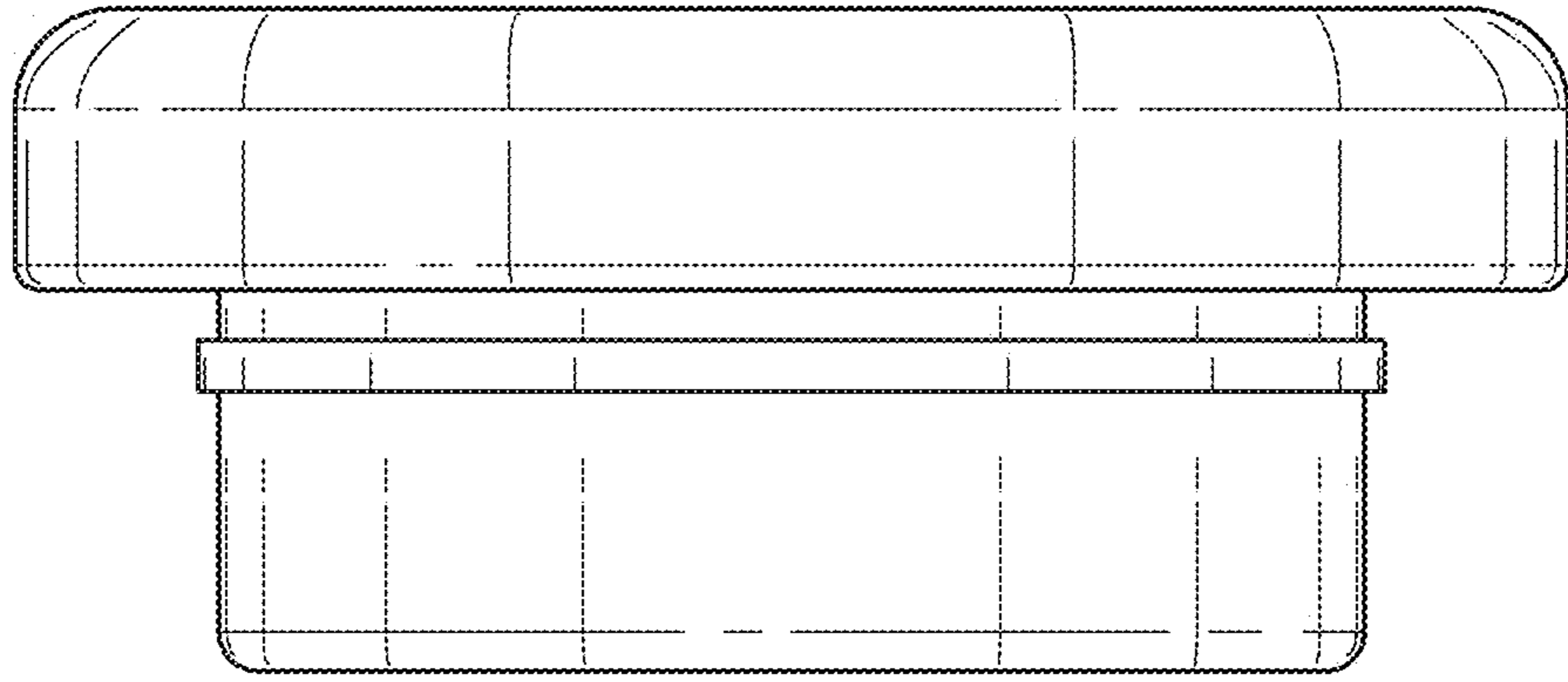


FIG. 5

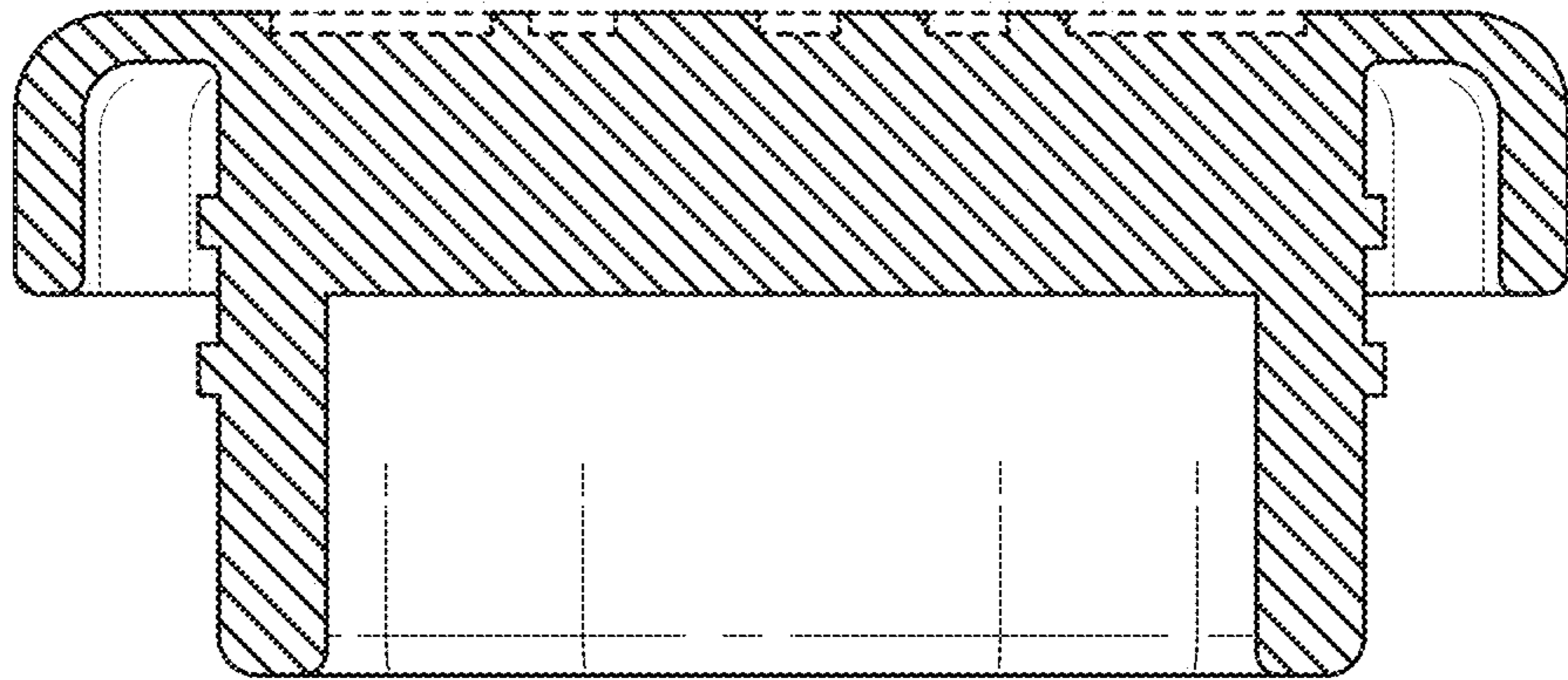


FIG. 6