



US00D977972S

(12) **United States Design Patent** (10) **Patent No.:** **US D977,972 S**
Palmer (45) **Date of Patent:** **** Feb. 14, 2023**

(54) **BOTTLE STOPPER**
(71) Applicant: **14th Round Inc.**, Los Angeles, CA (US)
(72) Inventor: **Christopher George Palmer**, Los Angeles, CA (US)
(73) Assignee: **14th Round Inc.**, Van Nuys, CA (US)
(**) Term: **15 Years**
(21) Appl. No.: **29/745,683**
(22) Filed: **Aug. 7, 2020**
(51) **LOC (14) Cl.** **07-06**
(52) **U.S. Cl.**
USPC **D9/439**
(58) **Field of Classification Search**
USPC D23/213, 223, 233, 249, 250, 253, D23/259-269, 323, 333; D7/300.1, 313, D7/509, 510, 523; D14/188, 194, 195, D14/204, 221, 228; D26/26, 37, 40, 46, D26/49, 93, 104, 105; D15/7; D24/108, D24/110.6, 112, 129, 224; D9/439
CPC F16L 1/00; F16L 9/00; F16L 13/00; F16L 13/146; F16L 2101/00; F16L 17/035; F16L 37/10; F16L 41/06; F16L 41/12; F16L 41/14; F16L 41/082; F16L 47/30; A47L 9/02; A47L 9/24; A47L 9/242; A47L 9/244; A47L 9/248; A61M 16/08; A61M 16/0816; A61M 16/0833; A61M 29/00; A61M 39/223; B65D 39/00; B65D 39/12; B65D 39/16; B65D 39/0064; B65D 45/00; B65D 47/063; B65D 51/28; E03C 1/2306
See application file for complete search history.

Primary Examiner — Gino Colan
Assistant Examiner — David OBrien
(74) *Attorney, Agent, or Firm* — Flener IP & Business Law; Zareefa B. Flener; Ayhan E. Mertogul

(57) **CLAIM**

The ornamental design for a bottle stopper, as shown and described.

DESCRIPTION

FIG. 1 is front perspective view of a bottle stopper showing my new design in a first configuration;
FIG. 2 is a front perspective view of the bottle stopper of FIG. 1 in a second configuration;
FIG. 3 is a front elevational view of the design of FIG. 1 in the first configuration, wherein the rear elevational view is the same as the front elevational view;
FIG. 4 is a right side elevational view of the design of FIG. 1 in the first configuration, wherein the left side elevational view is the same as the right side elevational view;
FIG. 5 is a front elevational view of the design of FIG. 1 in the second configuration, wherein the rear elevational view is the same as the front elevational view;
FIG. 6 is a right side elevational view of the design of FIG. 1 in the second configuration, wherein the left side elevational view is the same as the right side elevational view;
FIG. 7 is a top plan view of the design of FIG. 1, wherein the top plan view is the same for both of the first and second configurations;
FIG. 8 is a bottom plan view of the design of FIG. 1 in the first configuration; and,
FIG. 9 is a bottom plan view of the design of FIG. 1 in the second configuration.

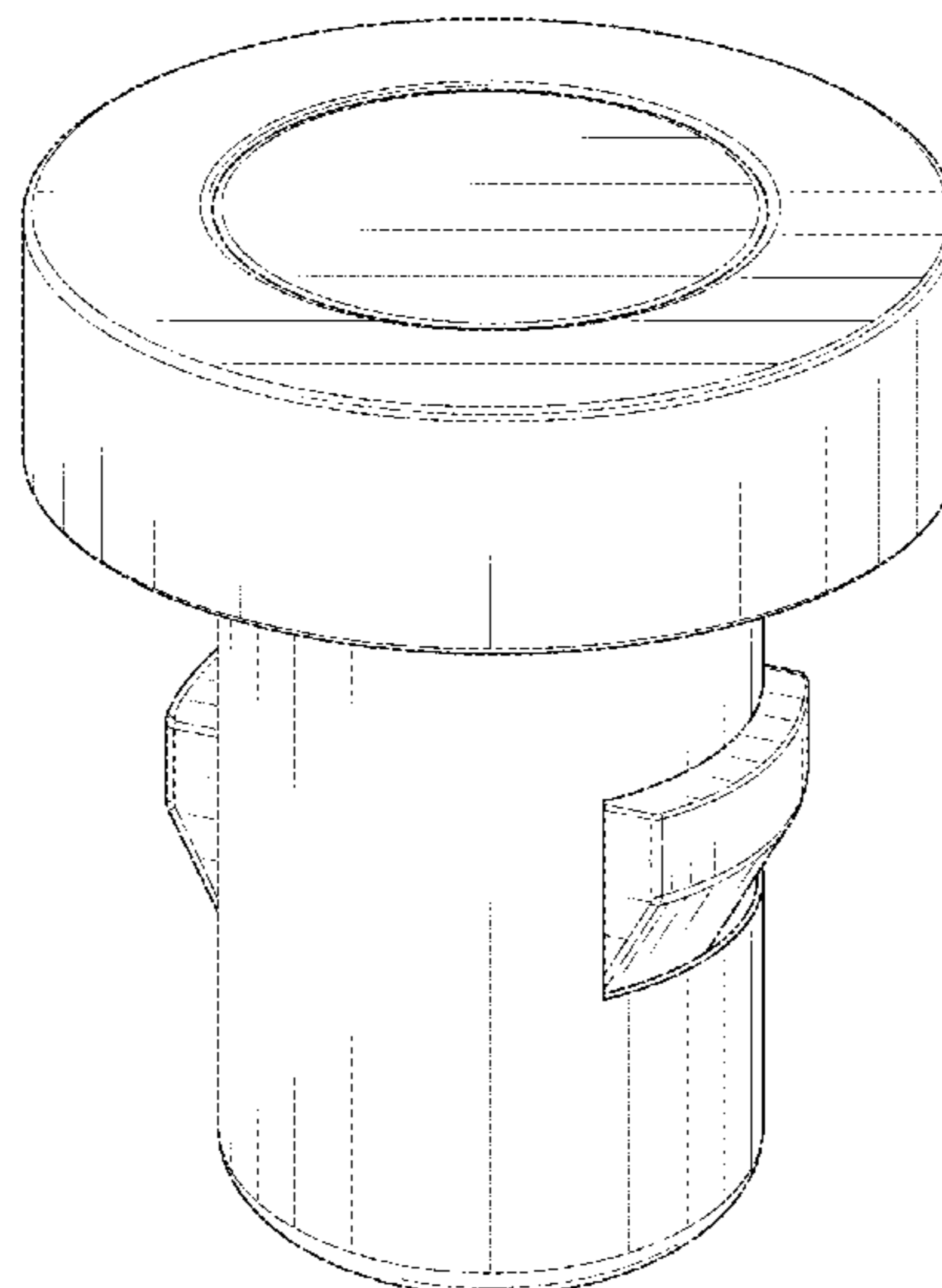
(56) **References Cited**

U.S. PATENT DOCUMENTS

2,549,404 A * 4/1951 Williams B65D 51/28
220/521
2,908,426 A * 10/1959 Goldstein B65D 47/063
222/530
2,986,297 A * 5/1961 Pollick B65D 39/00
215/271

(Continued)

1 Claim, 9 Drawing Sheets



(56)

References Cited

U.S. PATENT DOCUMENTS

3,051,343 A * 8/1962 Pappas B65D 39/12
215/296
D551,970 S * 10/2007 Didier D9/439
D562,987 S * 2/2008 Colin D24/224
2003/0062331 A1 * 4/2003 Lin B65D 39/12
215/361
2008/0035599 A1 * 2/2008 Seibel B65D 39/16
215/296
2012/0291191 A1 * 11/2012 Li E03C 1/2306
4/295
2015/0060390 A1 * 3/2015 Elder B65D 39/16
215/364
2016/0176585 A1 * 6/2016 Elder B65D 39/16
215/364
2017/0203885 A1 * 7/2017 Elder B65D 39/16

* cited by examiner

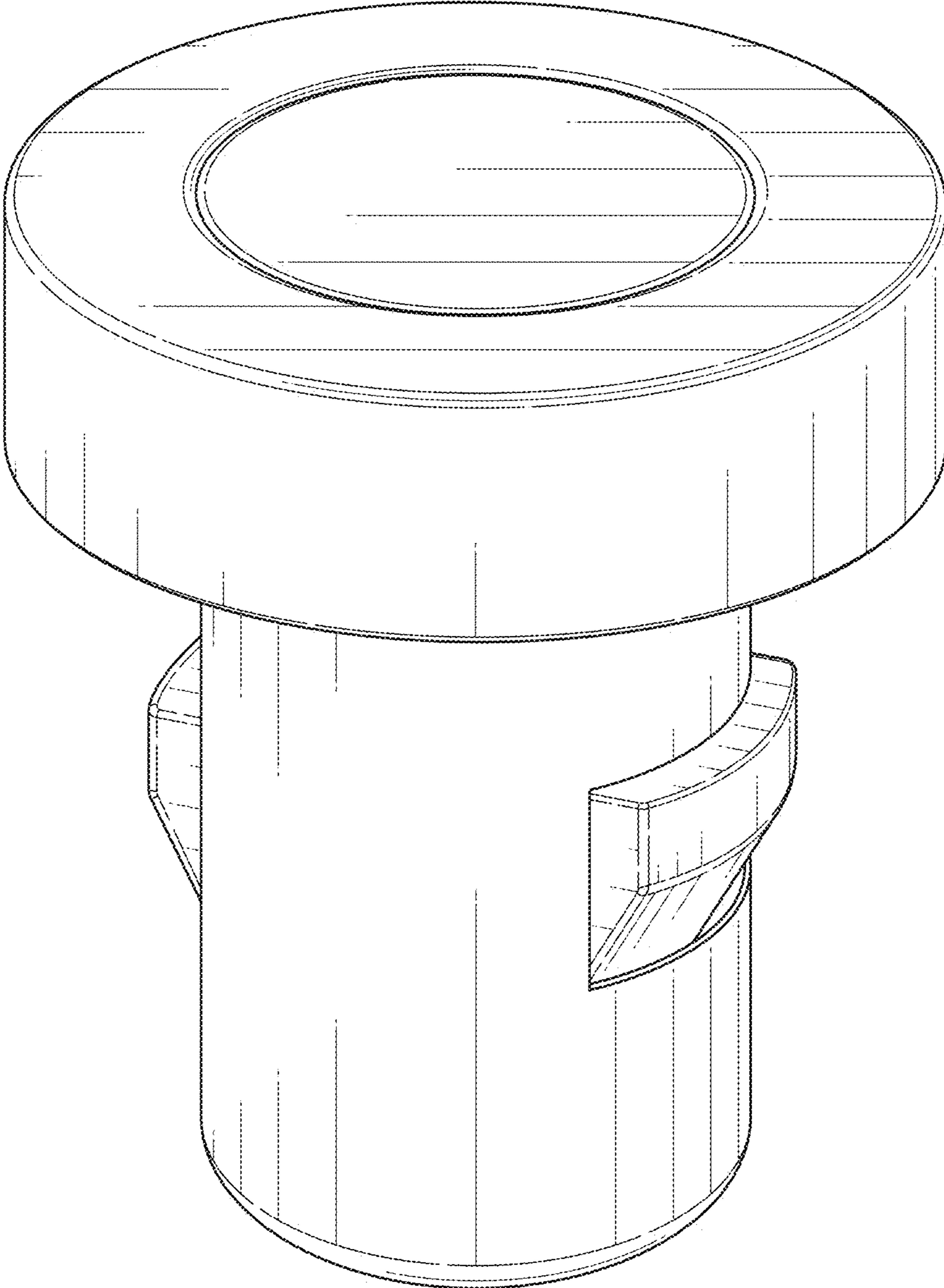


FIG. 1

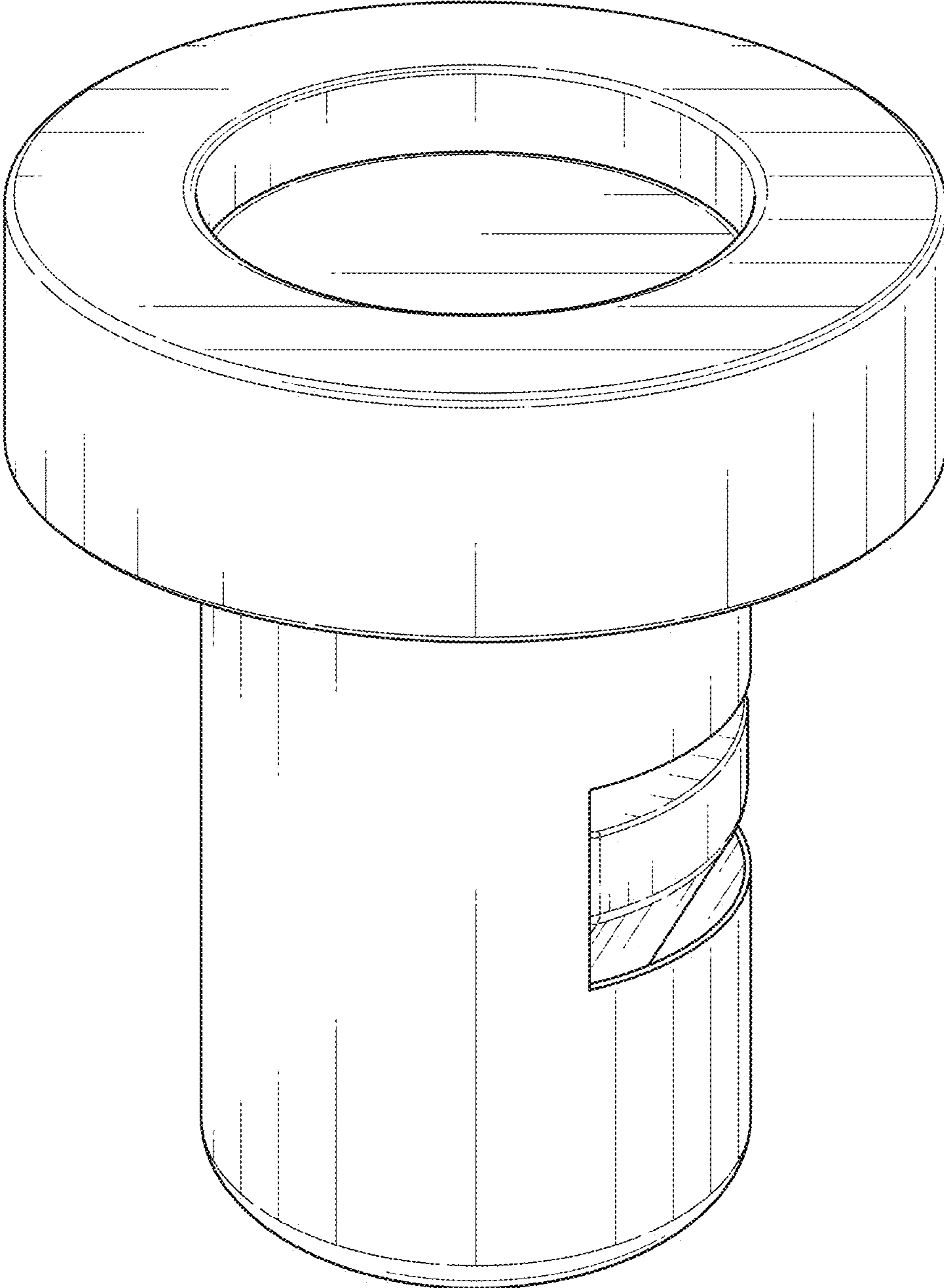


FIG. 2

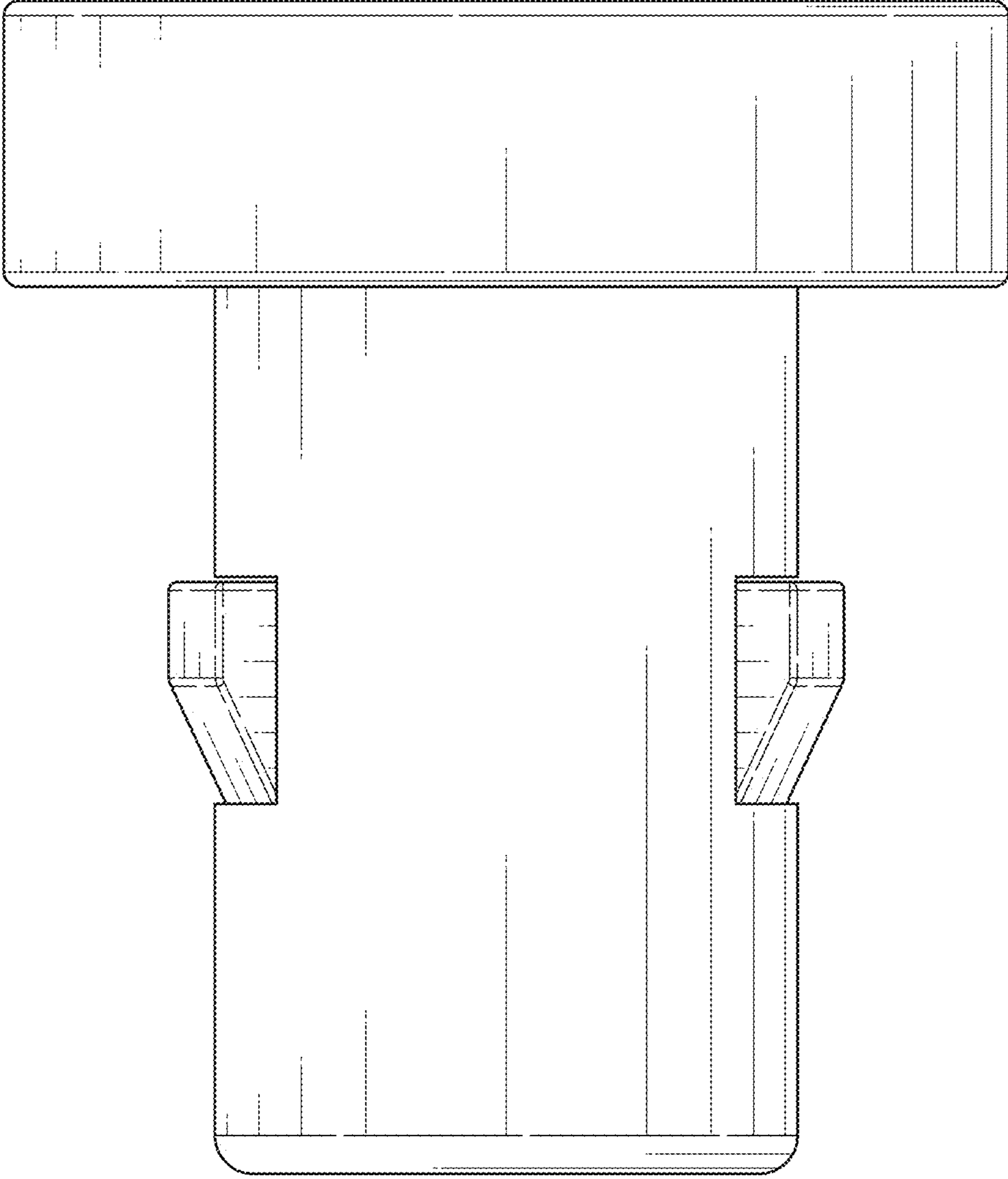


FIG. 3

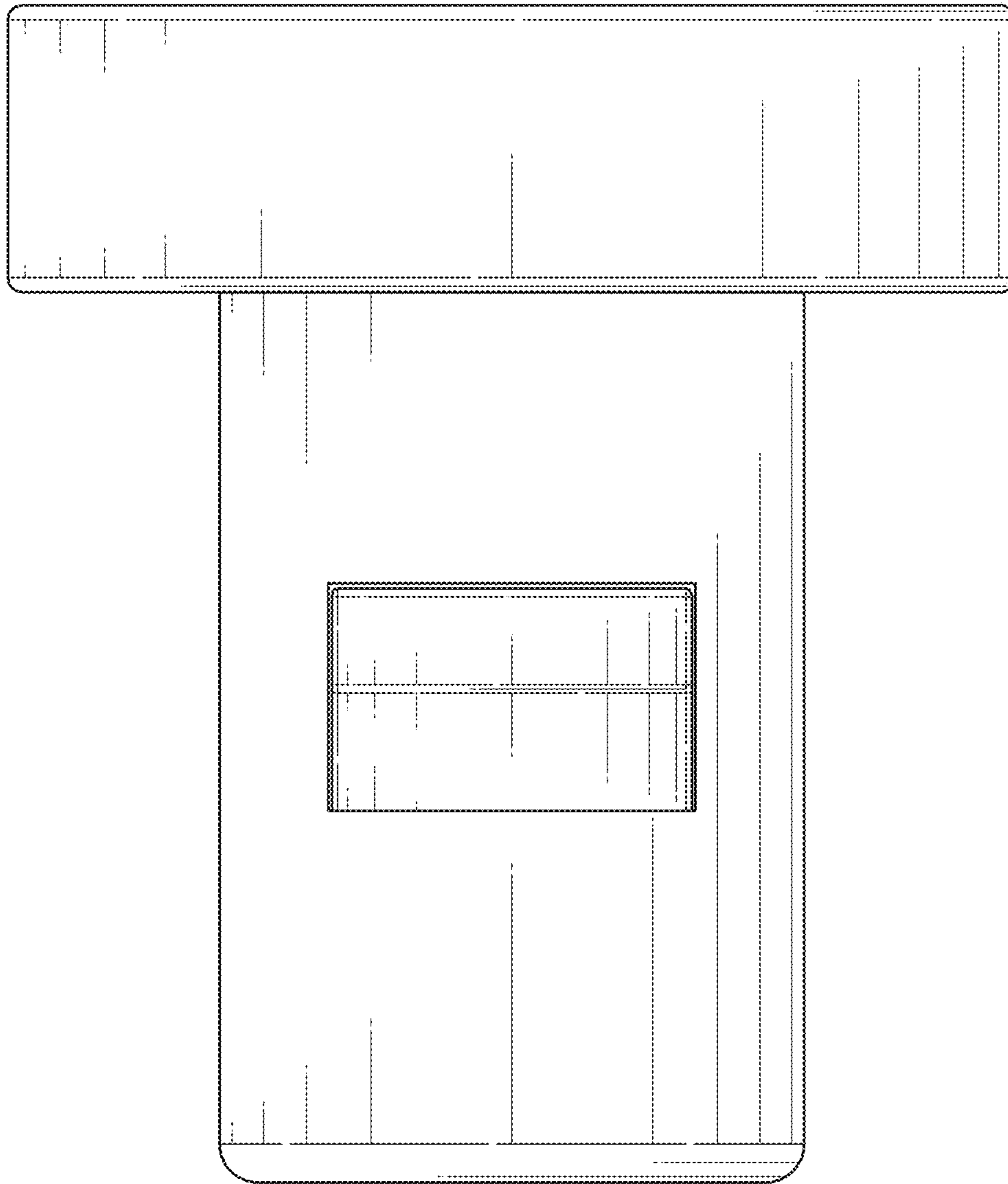


FIG. 4

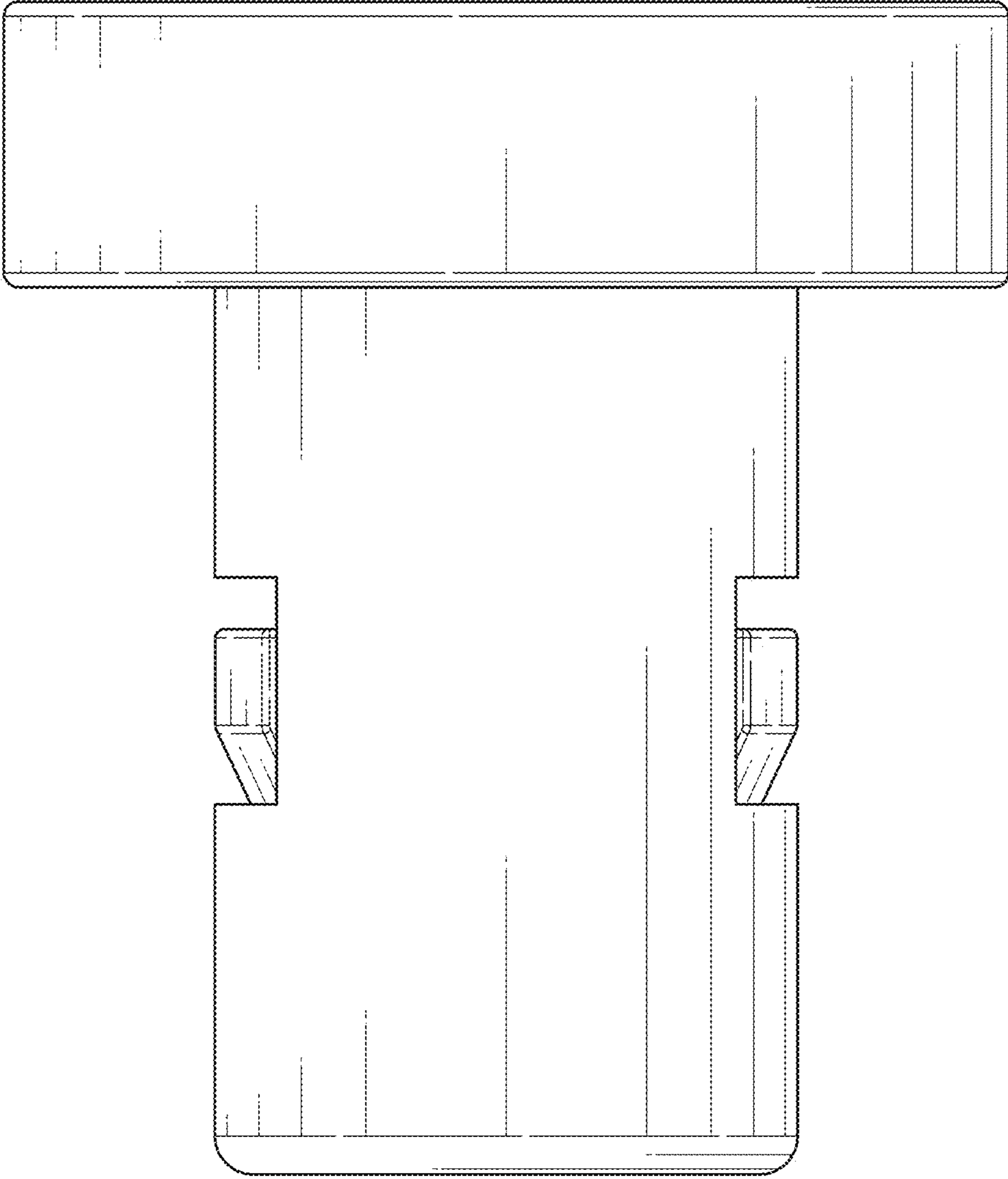


FIG. 5

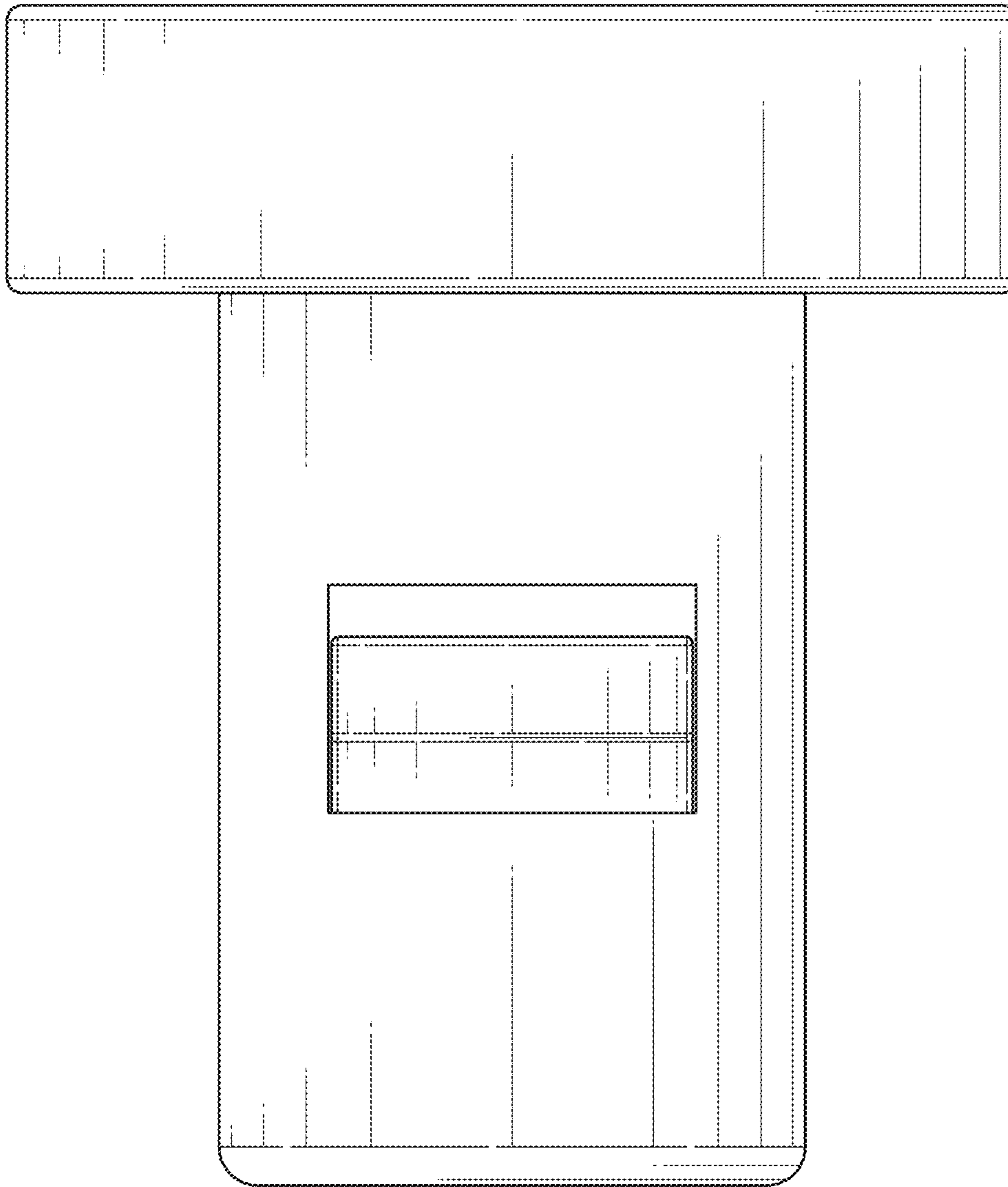


FIG. 6

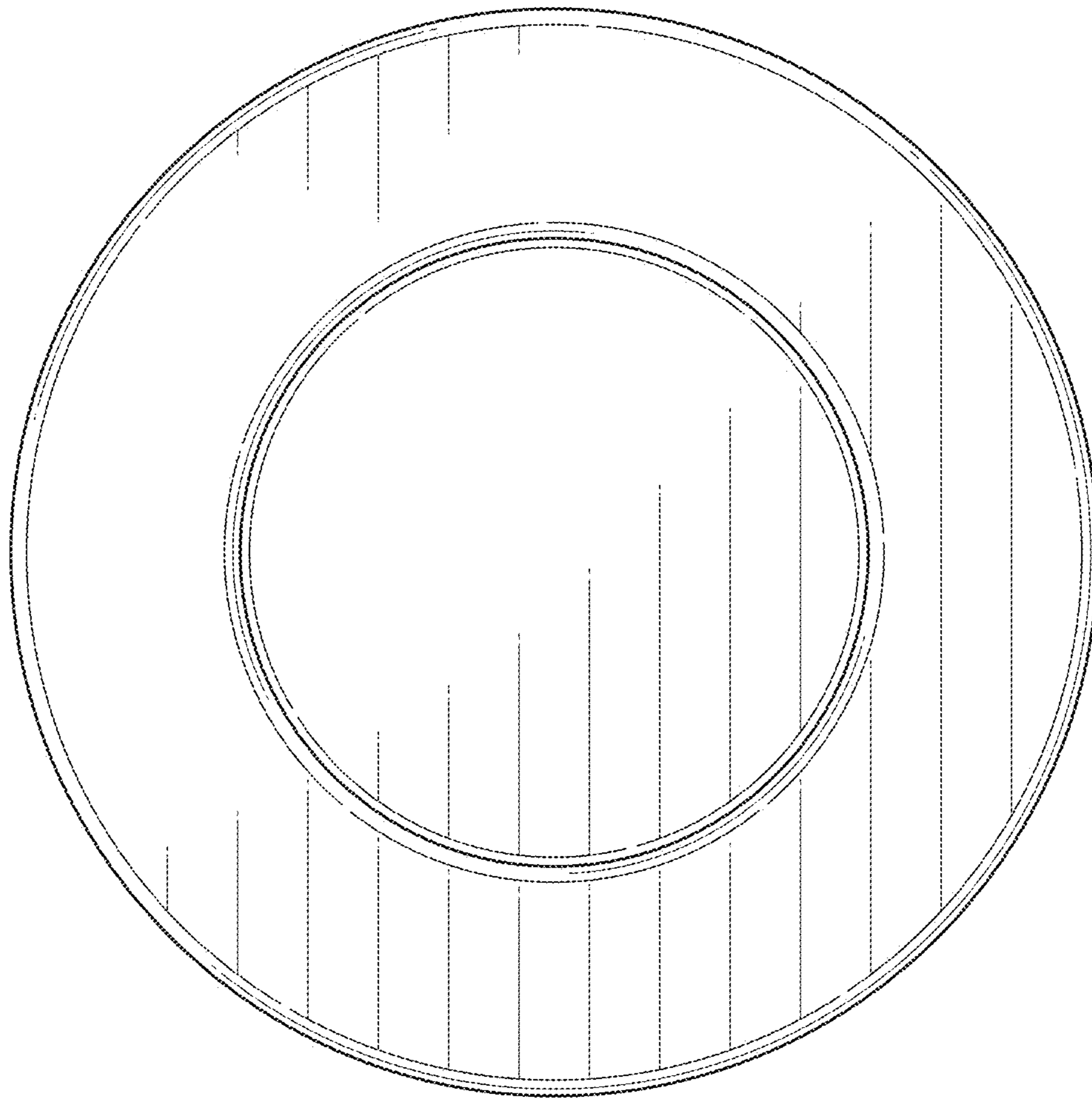


FIG. 7

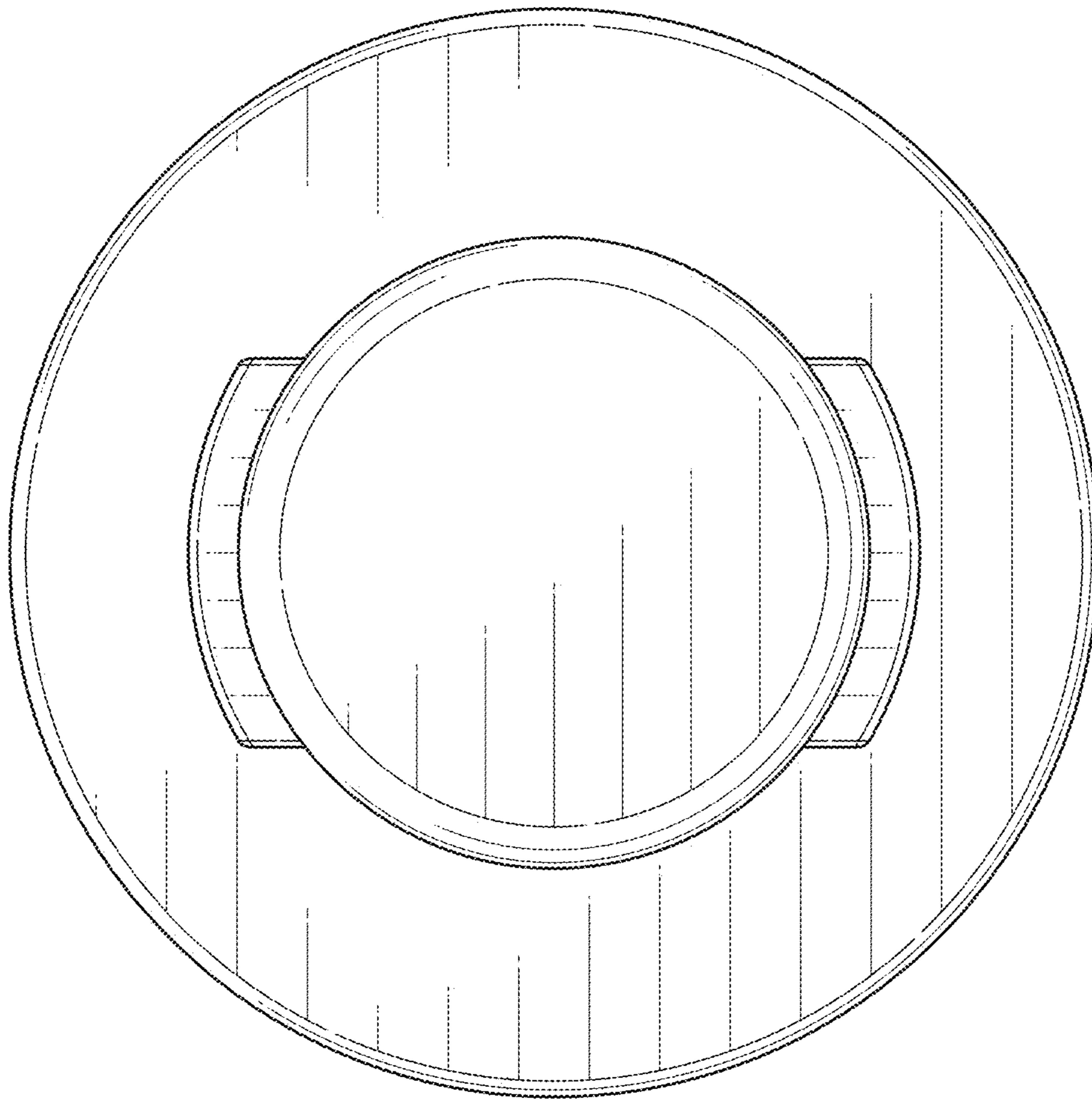


FIG. 8

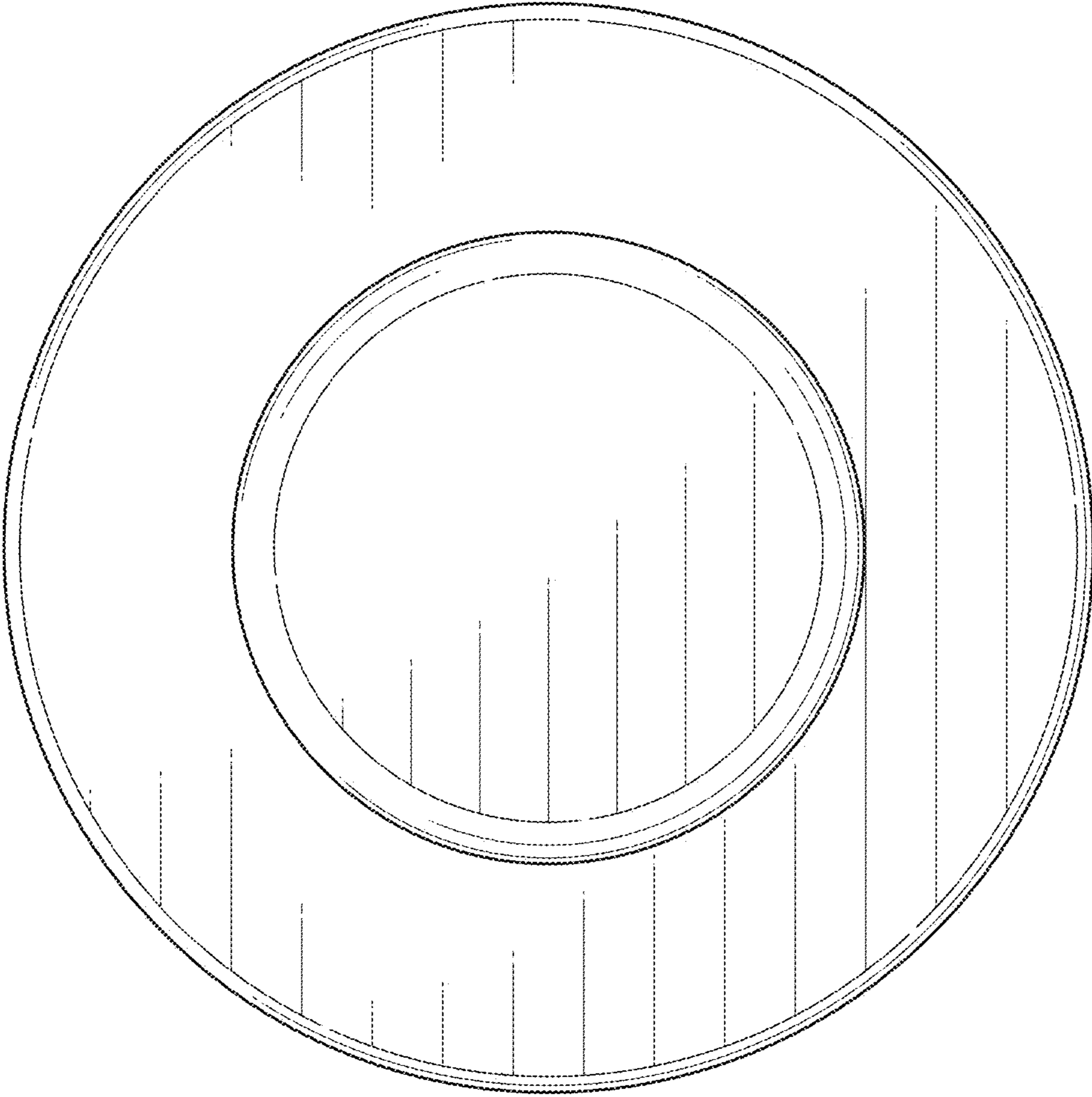


FIG. 9