



US00D977969S

(12) **United States Design Patent** (10) **Patent No.:** **US D977,969 S**  
**Metaxatos et al.** (45) **Date of Patent:** **\*\* Feb. 14, 2023**

(54) **BOTTLE PRESSURIZER**

D867,132 S \* 11/2019 Callaars ..... D9/439  
D955,218 S \* 6/2022 Smith ..... D9/439  
2021/0276748 A1\* 9/2021 Deslandes ..... B65B 31/025

(71) Applicant: **Coravin, Inc.**, Bedford, MA (US)

\* cited by examiner

(72) Inventors: **Paul K. Metaxatos**, Swampscott, MA (US); **Steffen F. Koury**, Nahant, MA (US); **Benjamin Hines**, Cranston, RI (US); **Brendan B. Crawford**, Boston, MA (US); **Sarah Deslandes**, Boston, MA (US); **Michael Rider**, Lowell, MA (US)

*Primary Examiner* — Gino Colan  
(74) *Attorney, Agent, or Firm* — Wolf, Greenfield & Sacks, P.C.

(73) Assignee: **Coravin, Inc.**, Bedford, MA (US)

(57) **CLAIM**

(\*\*) Term: **15 Years**

The ornamental design for a bottle pressurizer, as shown and described.

(21) Appl. No.: **29/741,244**

(22) Filed: **Jul. 10, 2020**

(51) **LOC (14) Cl.** ..... **09-07**

(52) **U.S. Cl.**  
USPC ..... **D9/435**

(58) **Field of Classification Search**  
USPC ..... D23/206; 222/394; D9/435, 439, 434,  
D9/709; 215/235, 386  
CPC ..... F17C 13/026; F17C 2201/0104; F17C  
2201/032  
See application file for complete search history.

**DESCRIPTION**

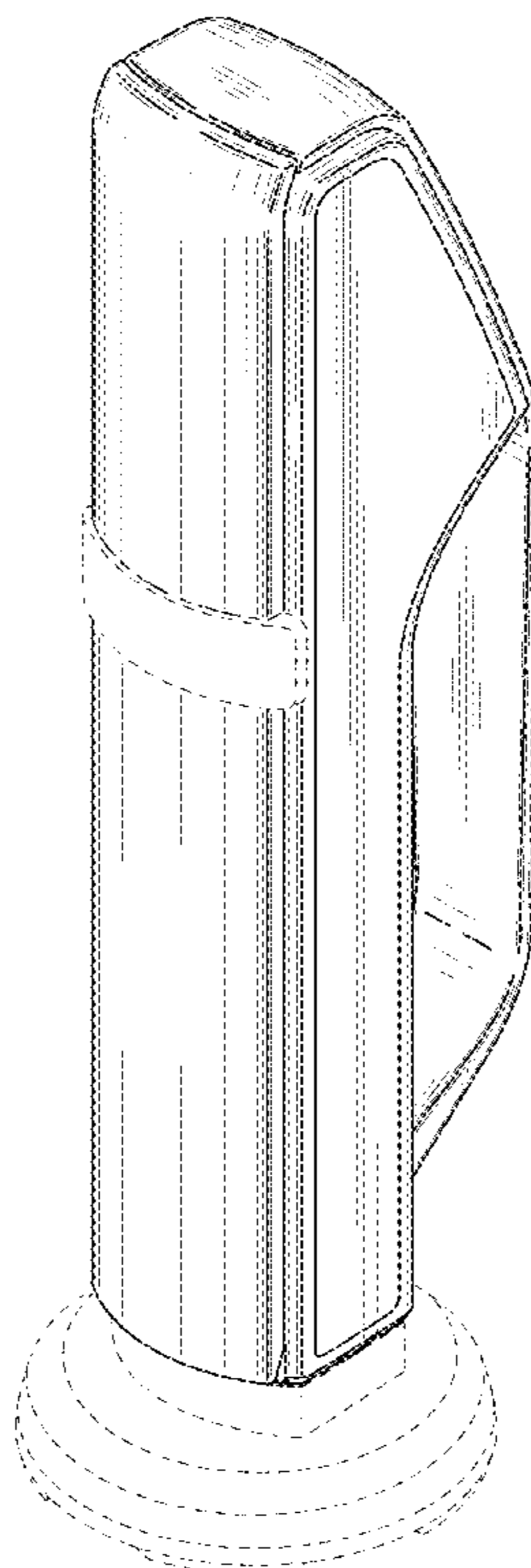
FIG. 1 is a top, front, right side perspective view of a bottle pressurizer showing our new design; FIG. 2 is a right side elevation view thereof; FIG. 3 is a front elevation view thereof; FIG. 4 is a left side view thereof; FIG. 5 is a rear elevation view thereof; FIG. 6 is a top plan view thereof; and, FIG. 7 is a bottom plan view thereof. The dash-dash broken lines represent portions of the bottle pressurizer that form no part of the claimed design. The short dash-long dash broken lines define boundaries of the claimed design and form no part of the claimed design.

(56) **References Cited**

U.S. PATENT DOCUMENTS

4,089,343 A \* 5/1978 Ishida ..... F16L 55/10  
137/484.8  
D367,916 S \* 3/1996 Thomas ..... D23/233

**1 Claim, 4 Drawing Sheets**



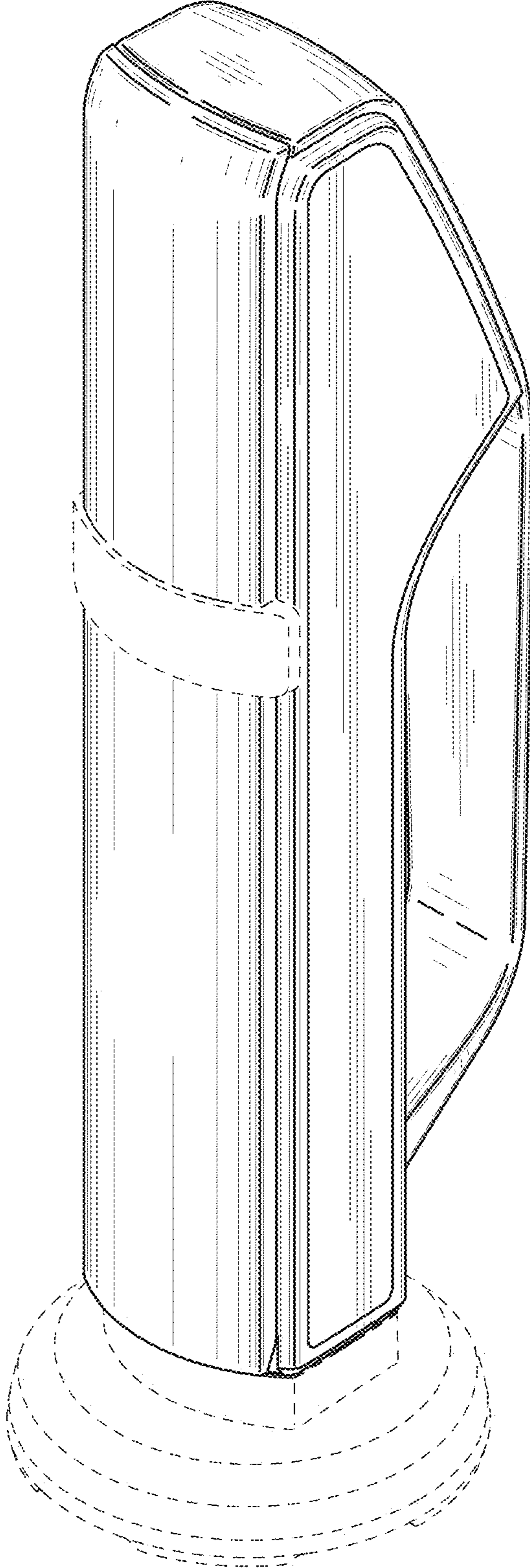


FIG. 1

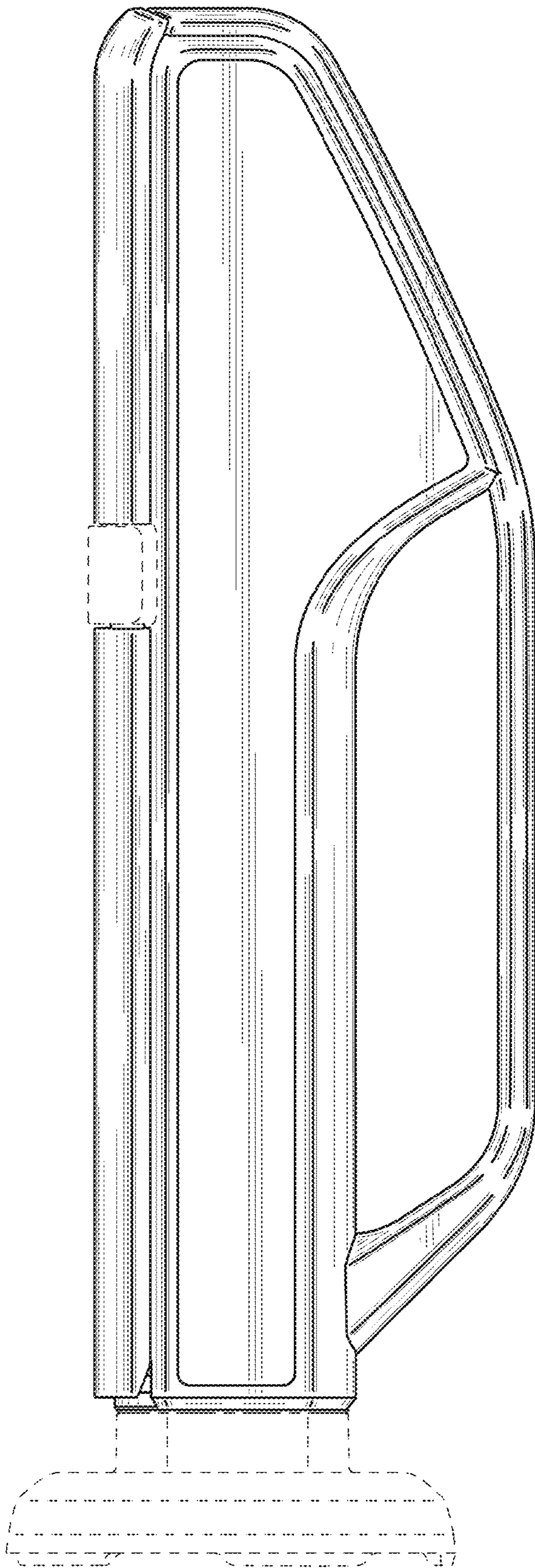


FIG. 2

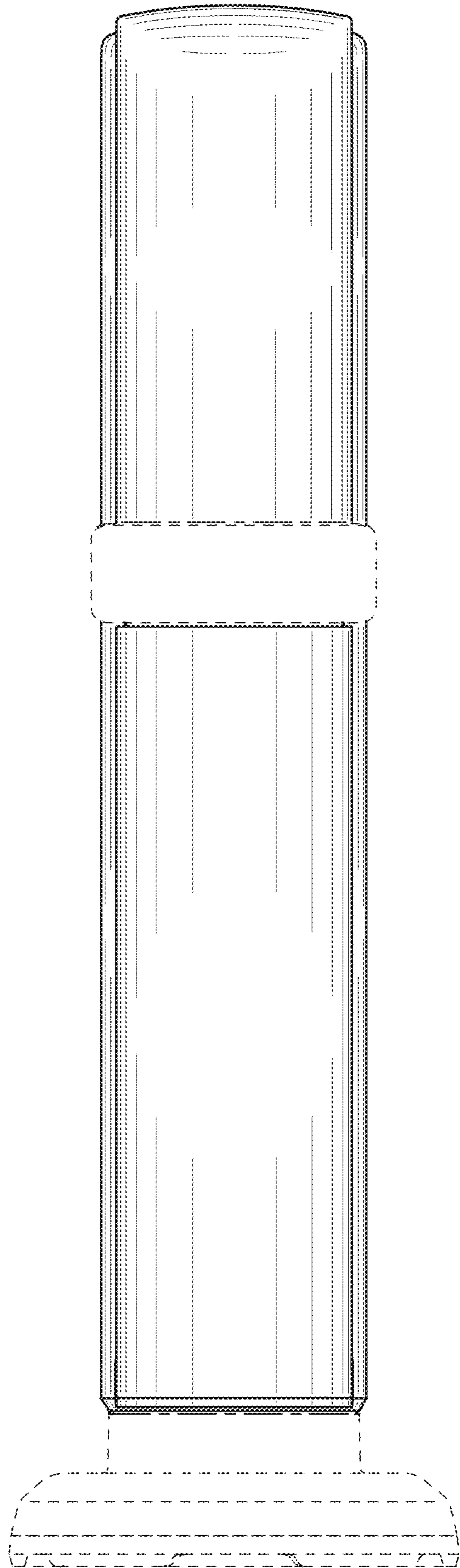


FIG. 3



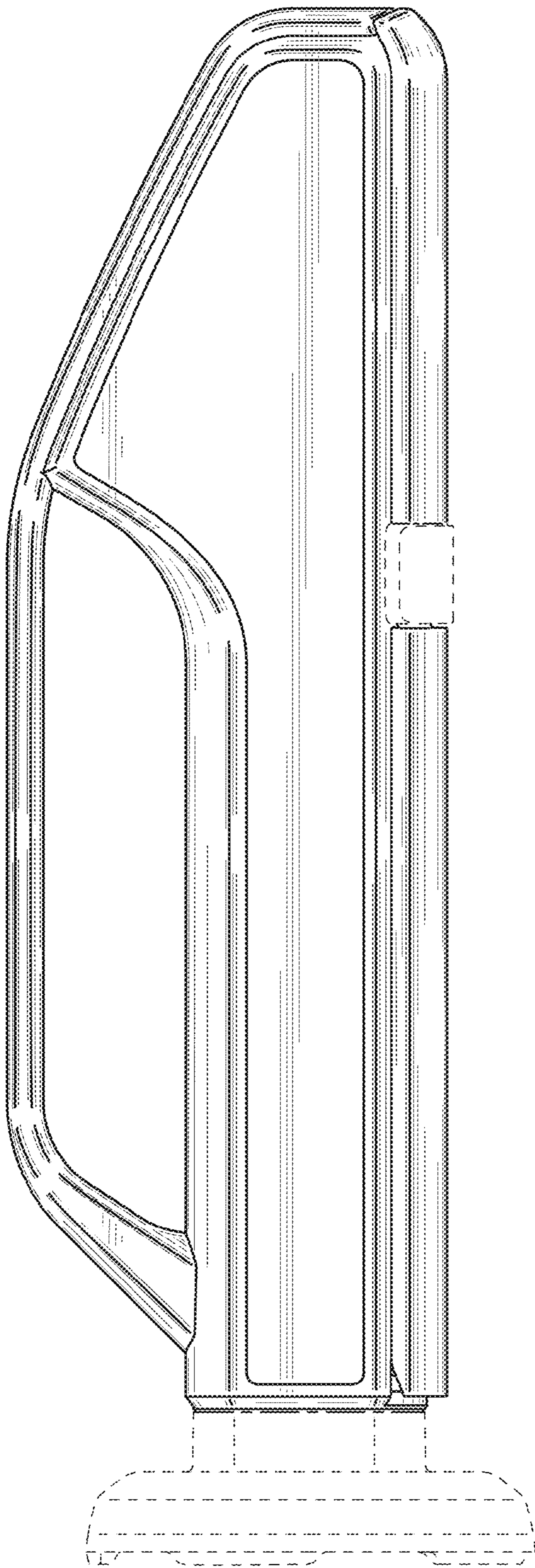


FIG. 4

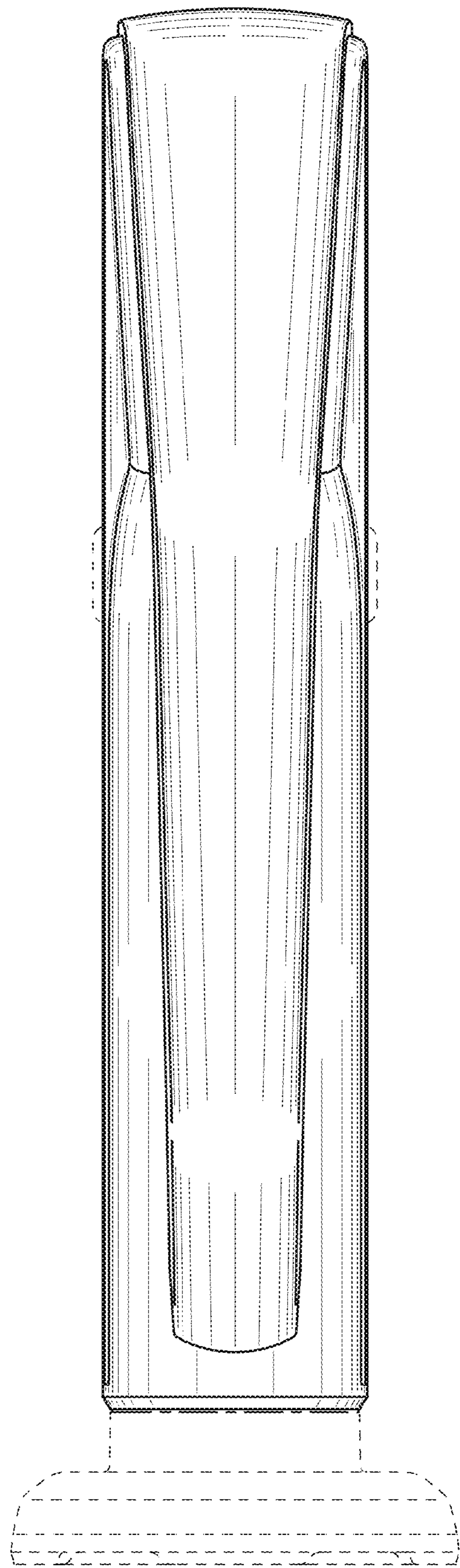


FIG. 5

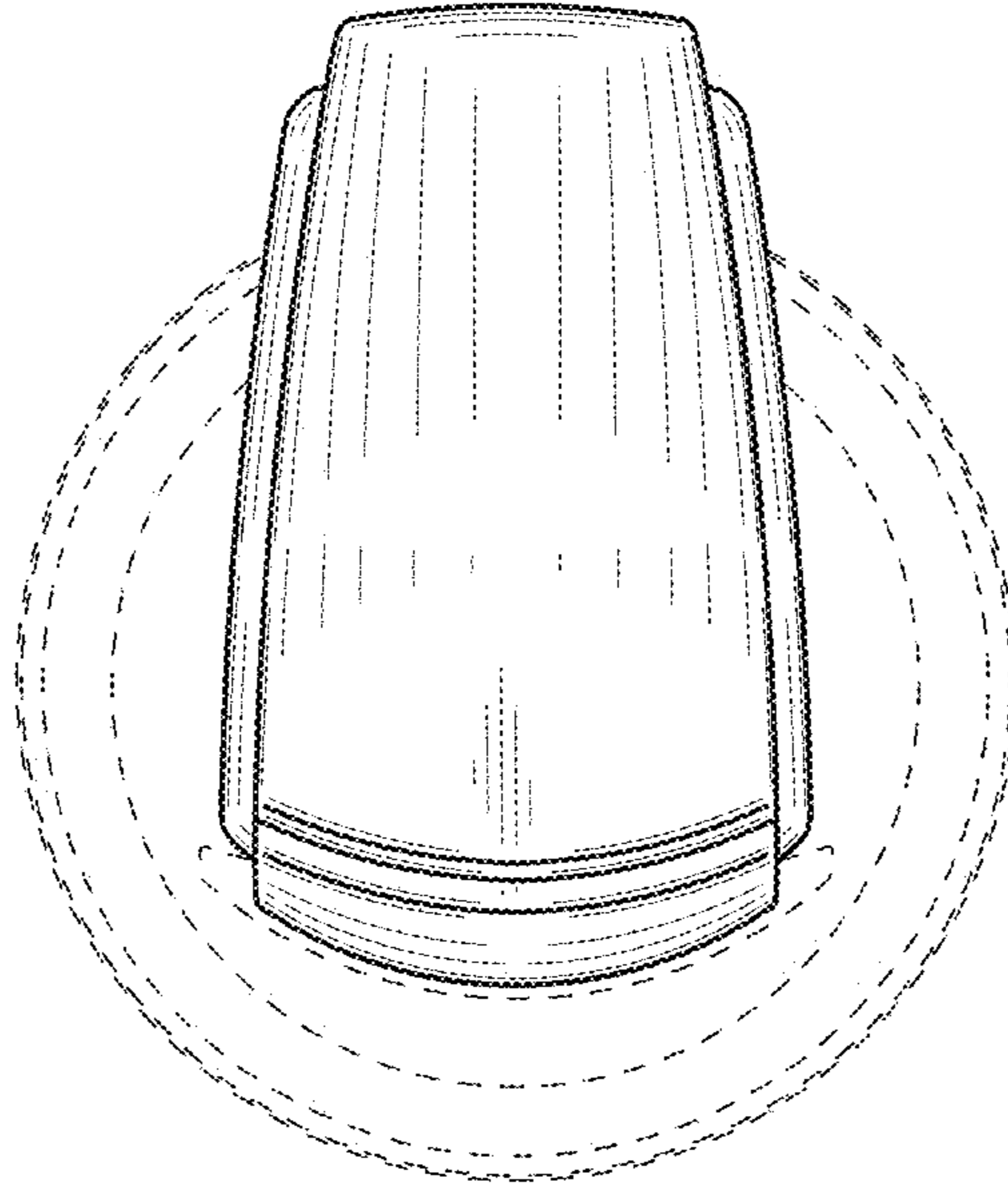


FIG. 6

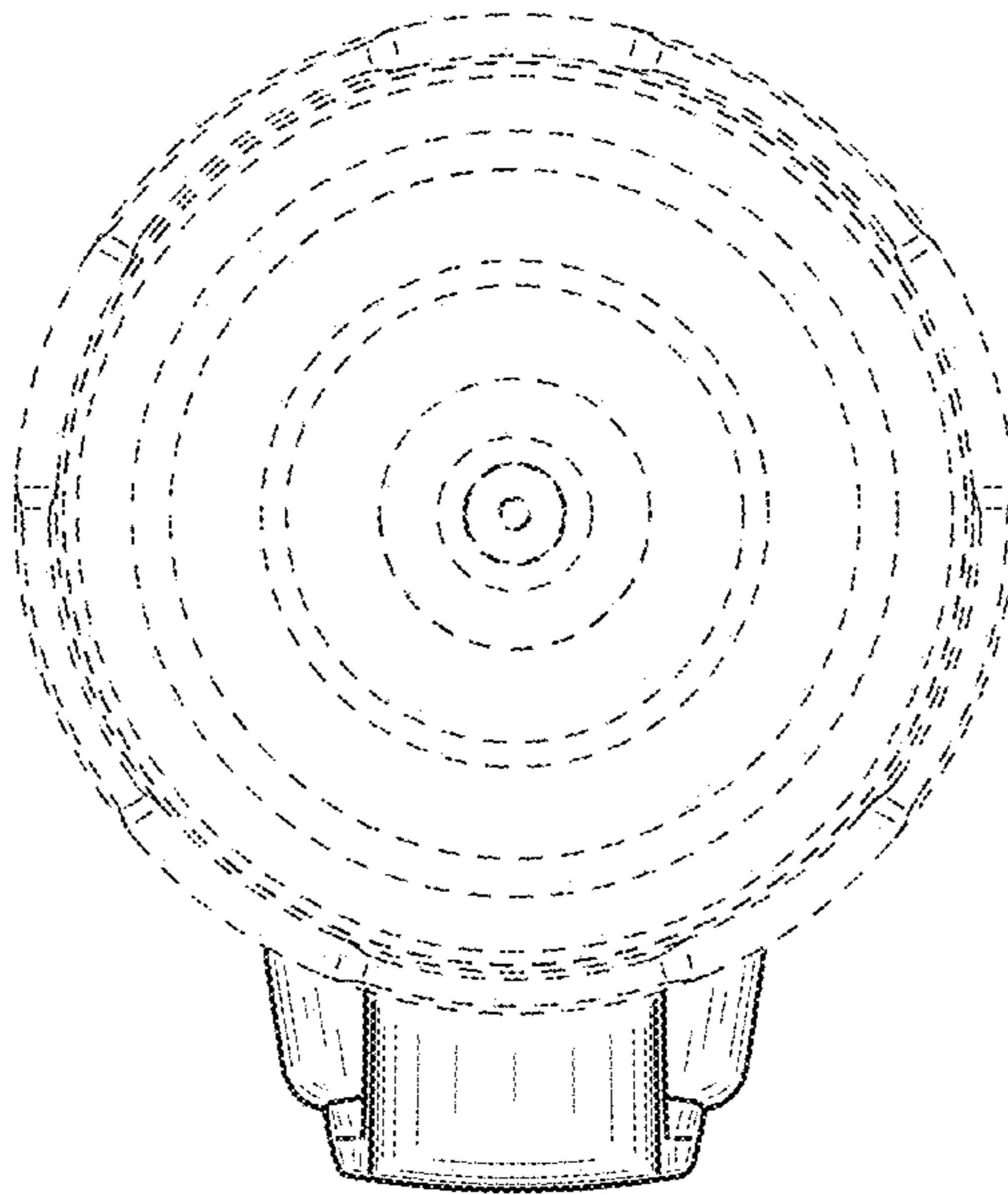


FIG. 7