



US00D977966S

(12) **United States Design Patent**
Fang

(10) **Patent No.:** **US D977,966 S**

(45) **Date of Patent:** **** Feb. 14, 2023**

(54) **PACKING BOX**

(71) Applicant: **Zhejiang Orient Gene Biotech Co., Ltd, Zhejiang (CN)**

(72) Inventor: **Jianqiu Fang, Zhejiang (CN)**

(73) Assignee: **Zhejiang Orient Gene Biotech Co., Ltd, Zhejiang (CN)**

(**) Term: **15 Years**

(21) Appl. No.: **29/774,041**

(22) Filed: **Mar. 12, 2021**

(51) **LOC (14) Cl.** **09-03**

(52) **U.S. Cl.**
USPC **D9/432**

(58) **Field of Classification Search**
USPC D9/715, 430-432, 721, 414; D24/216, D24/227, 223; D3/201, 203.1; 206/232, 206/305, 363, 570-572, 369, 557, 438
(Continued)

(56) **References Cited**

U.S. PATENT DOCUMENTS

4,682,974 A * 7/1987 Sun B65D 5/4216
493/55
D357,860 S * 5/1995 Lee D9/600
(Continued)

FOREIGN PATENT DOCUMENTS

CN 307232551 * 4/2022

OTHER PUBLICATIONS

I-Health Covid Test Box. Date First available: Nov. 4, 2021. Site visited: Jul. 14, 2022. Available online: https://www.amazon.com/iHealth-COVID-19-Authorized-Non-invasive-Discomfort/dp/B09KZ6TBNY/ref=sr_1_4 (Year: 2021).*

(Continued)

Primary Examiner — Catherine S Posthauer

Assistant Examiner — Joan E. Diehl

(74) *Attorney, Agent, or Firm* — NZ Carr Law Office

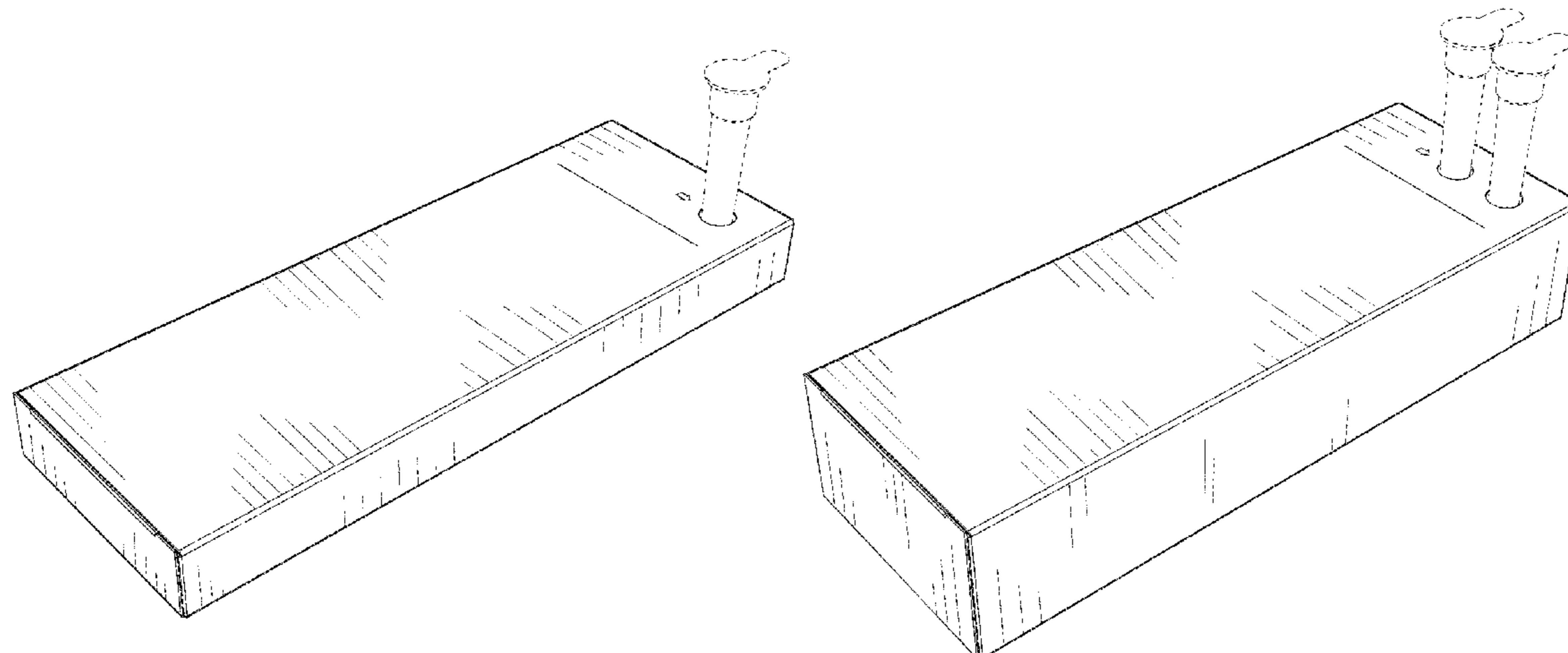
(57) **CLAIM**

I claim the ornamental design for a packing box, as shown and described.

DESCRIPTION

FIG. 1 is a front view of a packing box showing a first embodiment of our design;
FIG. 2 is a back view of the first embodiment;
FIG. 3 is a left side view of the first embodiment;
FIG. 4 is a right side view of the first embodiment;
FIG. 5 is a bottom view of the first embodiment;
FIG. 6 is a top view of the first embodiment;
FIG. 7 is a bottom perspective view of the first embodiment;
FIG. 8 is a top perspective view of the first embodiment showing a perforated flap in an original state;
FIG. 9 is a top perspective view of the first embodiment showing the perforated flap being pressed down;
FIG. 10 is a top perspective view of the first embodiment showing a tubular object being packaged therein;
FIG. 11 is a front view of a packing box showing a second embodiment of our design;
FIG. 12 is a back view of the second embodiment;
FIG. 13 is a left side view of the second embodiment;
FIG. 14 is a right side view of the second embodiment;
FIG. 15 is a bottom view of the second embodiment;
FIG. 16 is a top view of the second embodiment;
FIG. 17 is a bottom perspective view of the second embodiment;
FIG. 18 is a top perspective view of the second embodiment showing two perforated flaps in an original state;
FIG. 19 is a top perspective view of the second embodiment showing the two perforated flap being pressed down; and,
FIG. 20 is a top perspective view of the second embodiment showing two tubular objects being packaged therein.

(Continued)



All broken lines are shown for purpose of illustrating both environmental subject matter of exemplary tubular objects as well as perforations. None of the broken lines form part of the claimed design.

1 Claim, 20 Drawing Sheets

(58) Field of Classification Search

CPC B65D 5/5286; B65D 5/4216; B65D 5/542
See application file for complete search history.

(56) References Cited

U.S. PATENT DOCUMENTS

D702,116 S * 4/2014 Buchanan D9/416
D729,636 S * 5/2015 Steinberger D9/737

D730,728 S * 6/2015 Fath D9/432
D764,289 S * 8/2016 Hauck D9/432
D823,134 S * 7/2018 O'Neill D9/759
D854,413 S * 7/2019 Joo D9/432
D873,676 S * 1/2020 Weston B65D 5/5021
D926,031 S * 7/2021 Nishioka D9/756
D930,974 S * 9/2021 Marshall D9/756
D941,141 S * 1/2022 Pincus D3/203.1
D942,850 S * 2/2022 McGrath D9/420

OTHER PUBLICATIONS

CLINITEST Rapid Covid-19 Antigen Self-Test. Date First Available: Jan. 21, 2022 Site visited Jul. 14, 2022. Available online: <https://www.amazon.com/dp/B09QX4DWCD> (Year: 2021).*

* cited by examiner

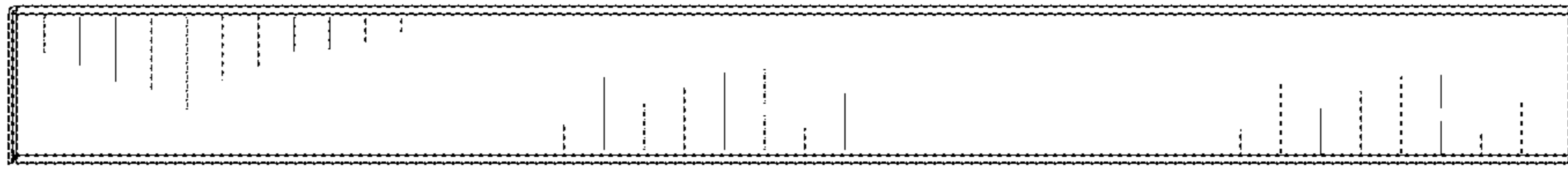


FIG.1

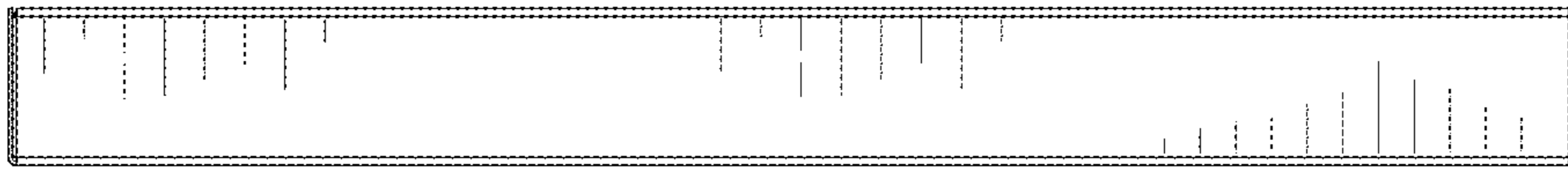


FIG.2

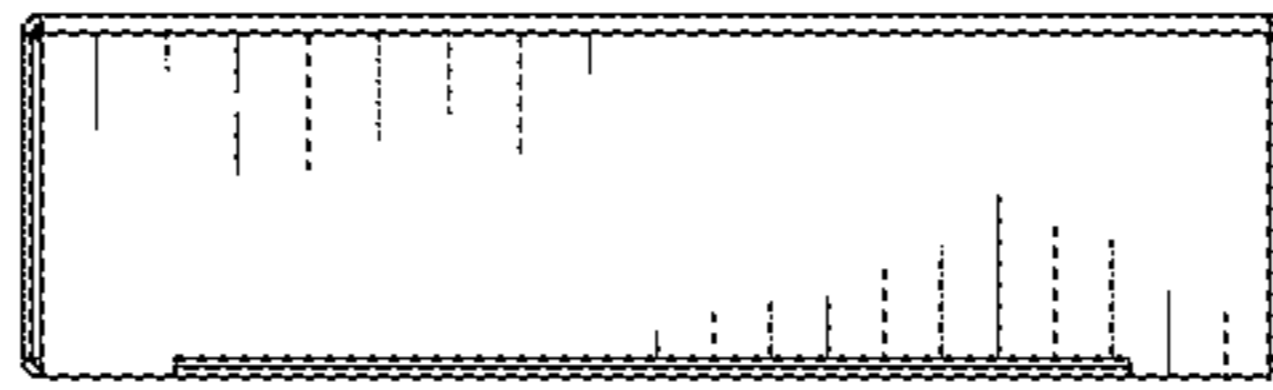


FIG.3

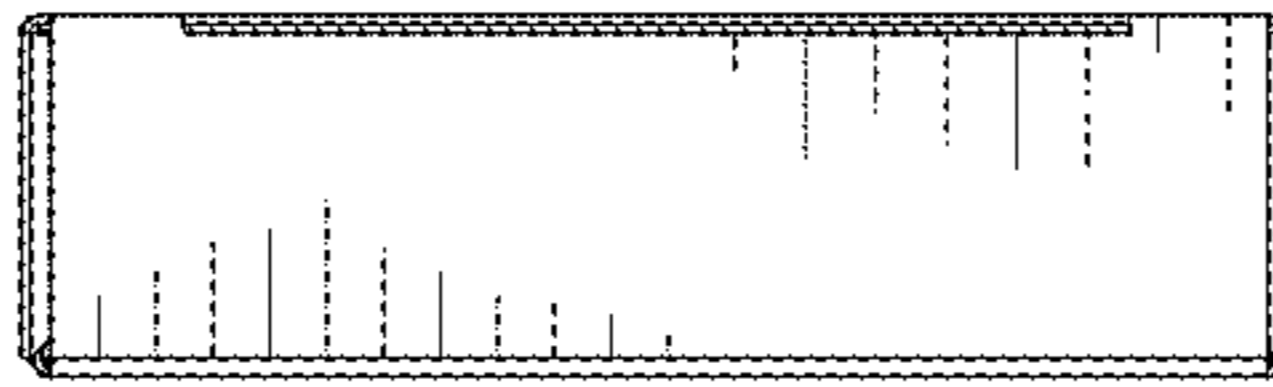


FIG.4

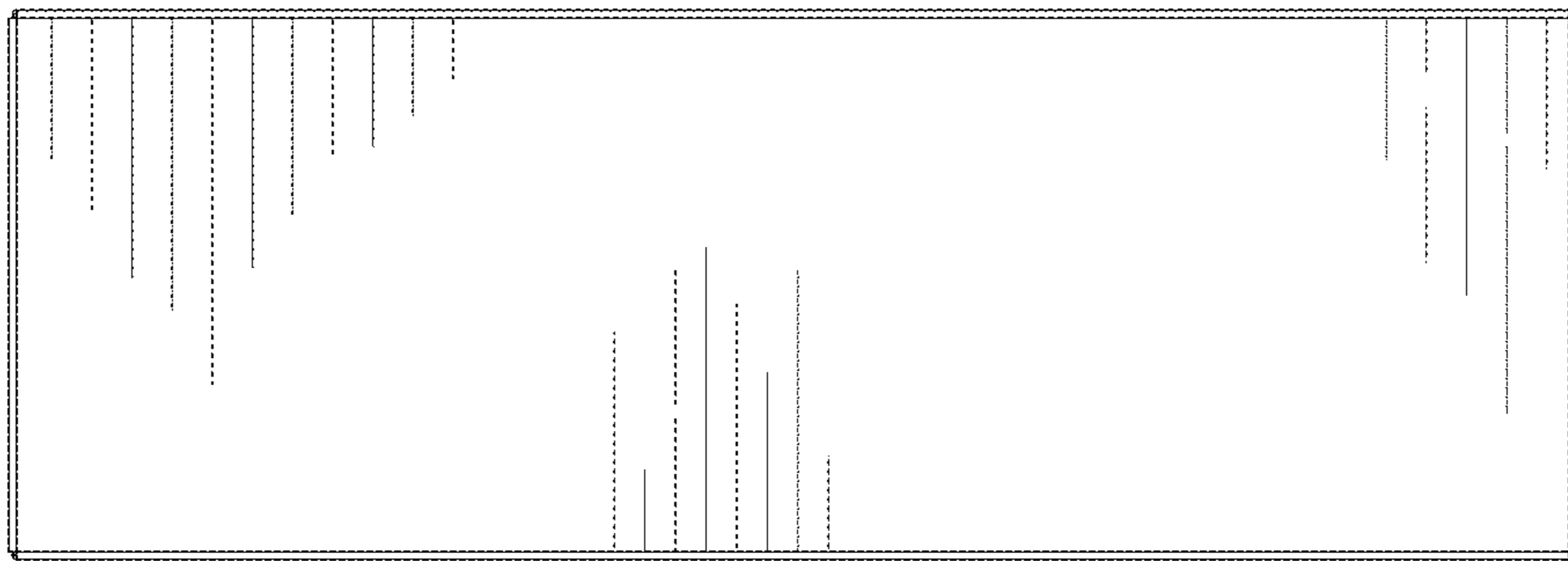


FIG.5

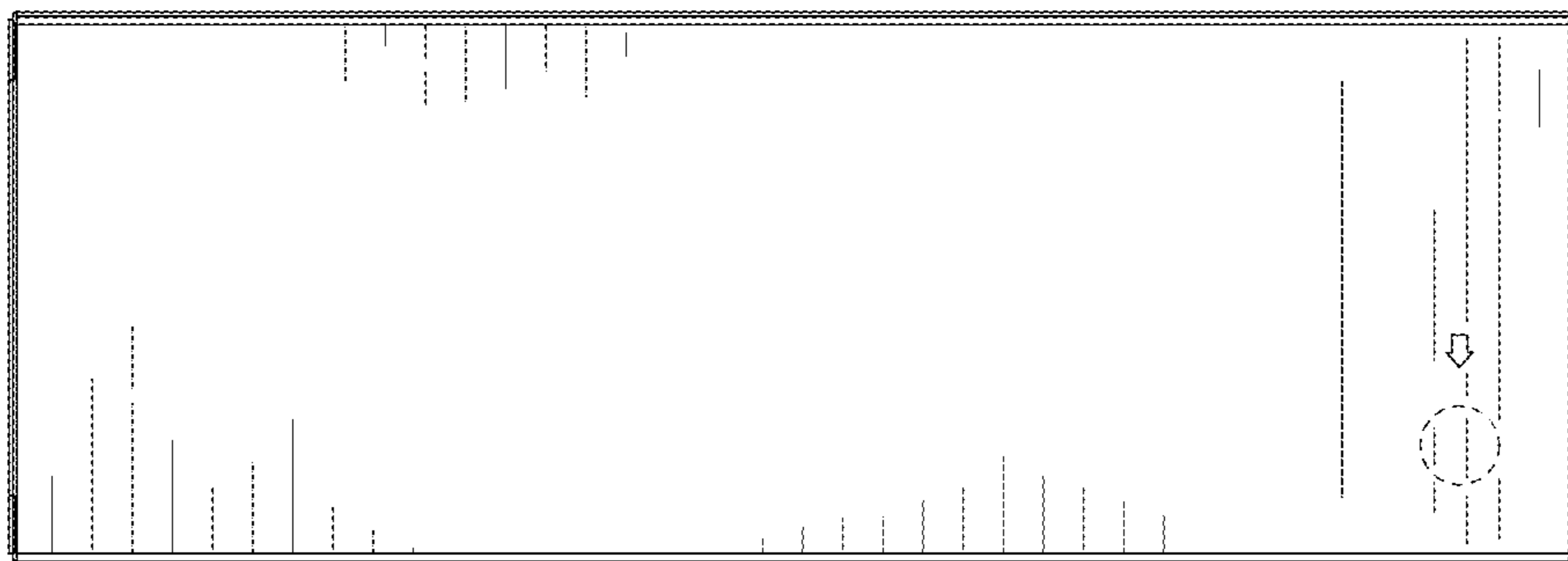


FIG.6

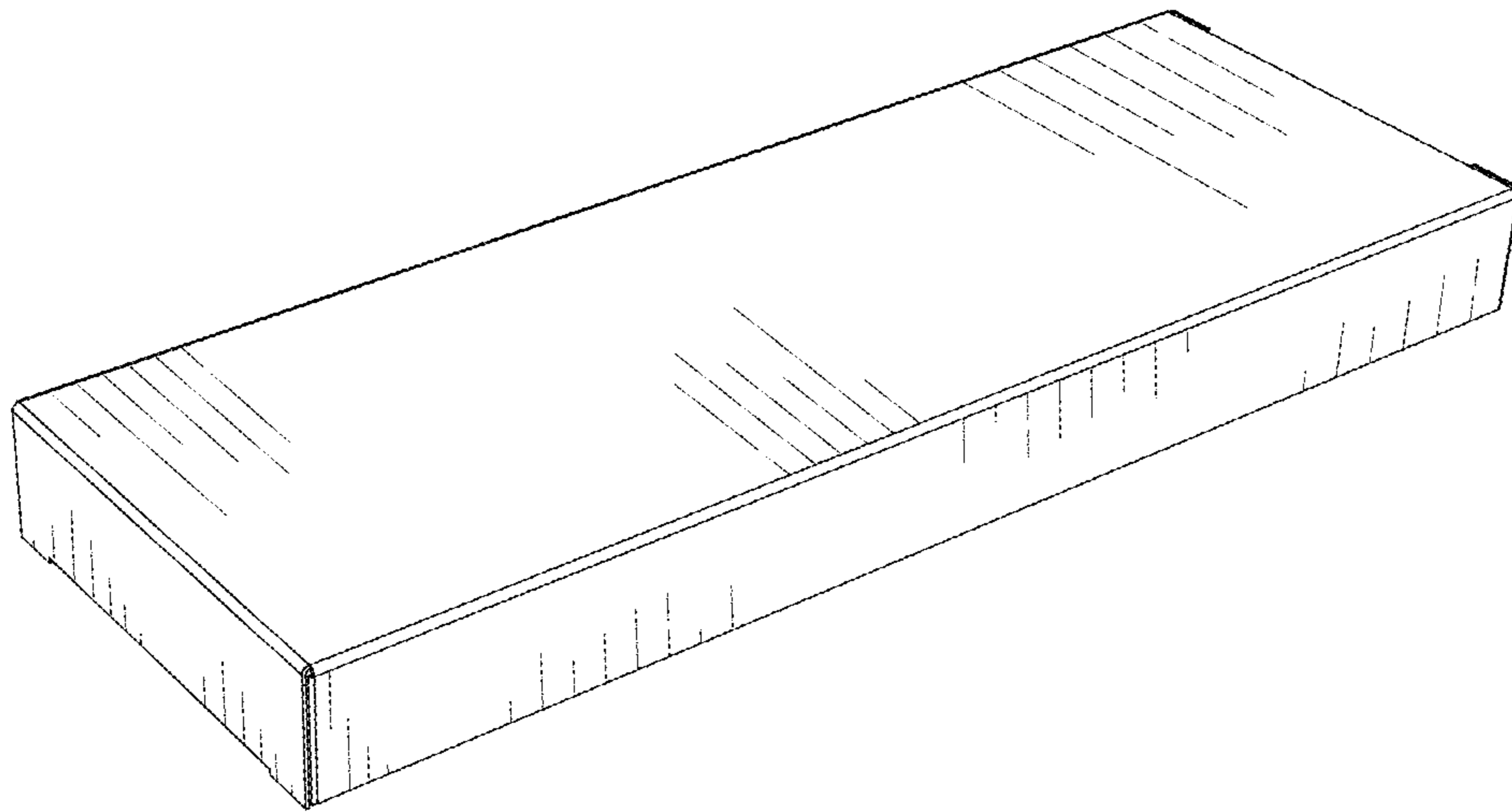


FIG.7

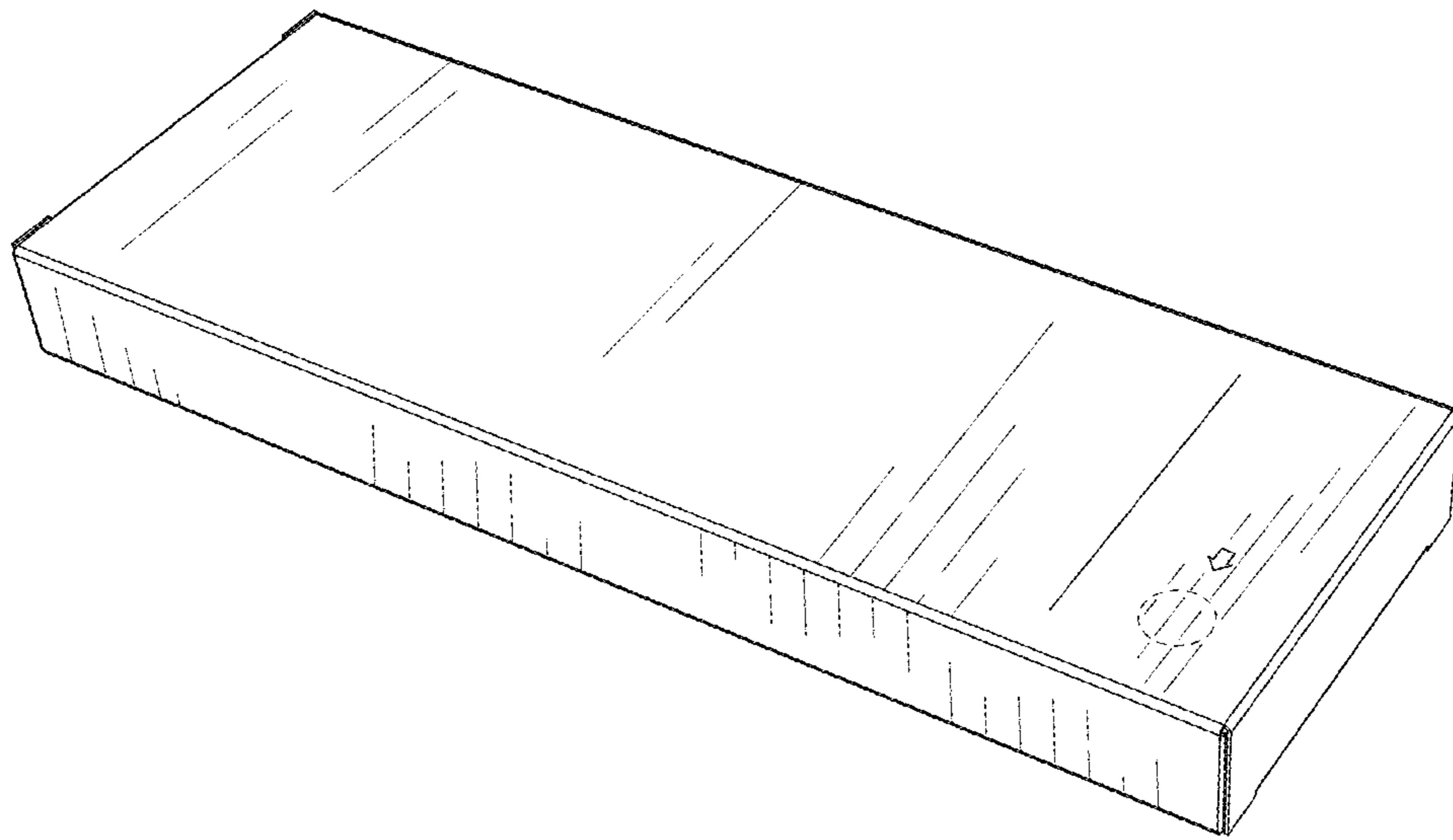


FIG.8

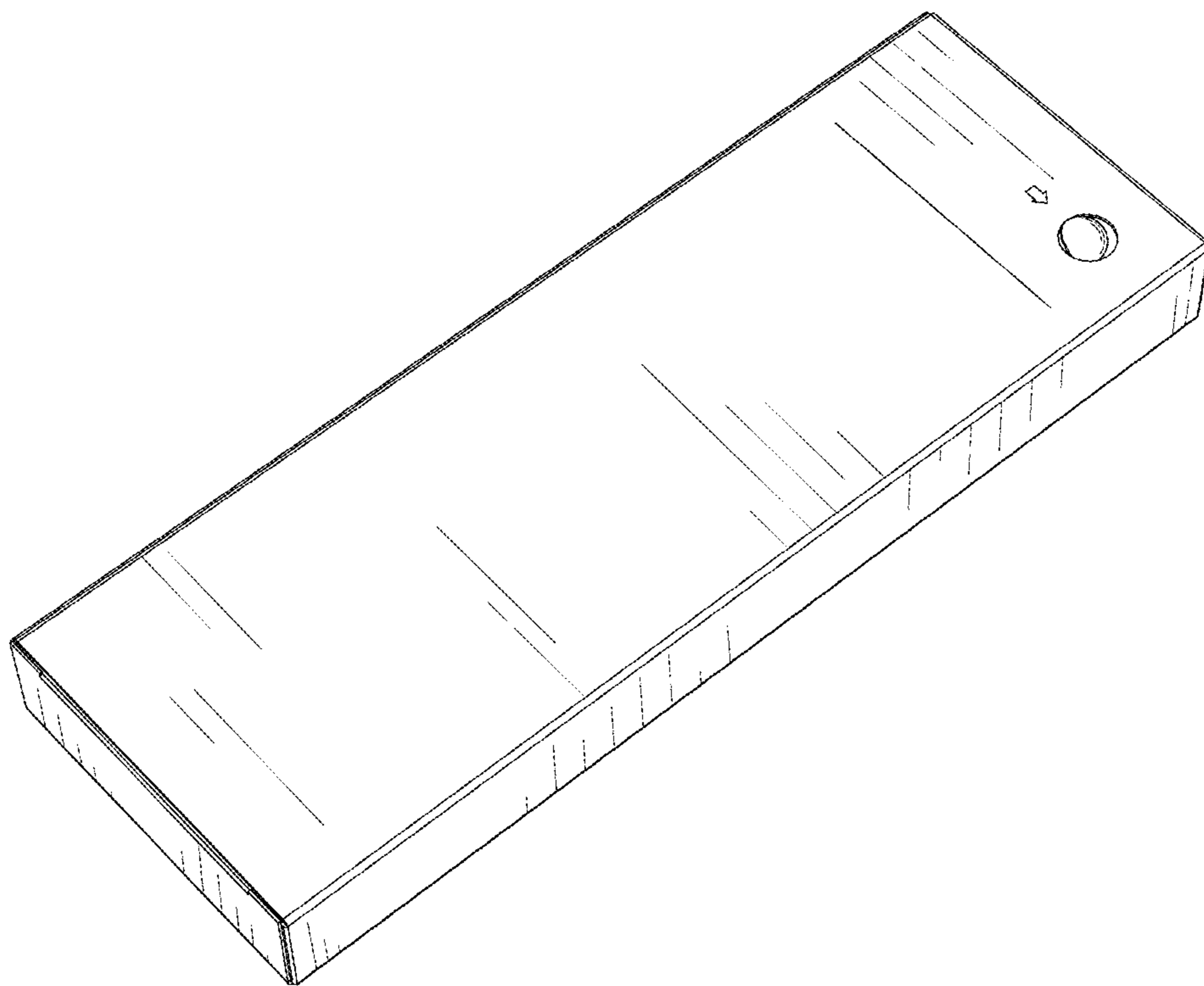


FIG.9

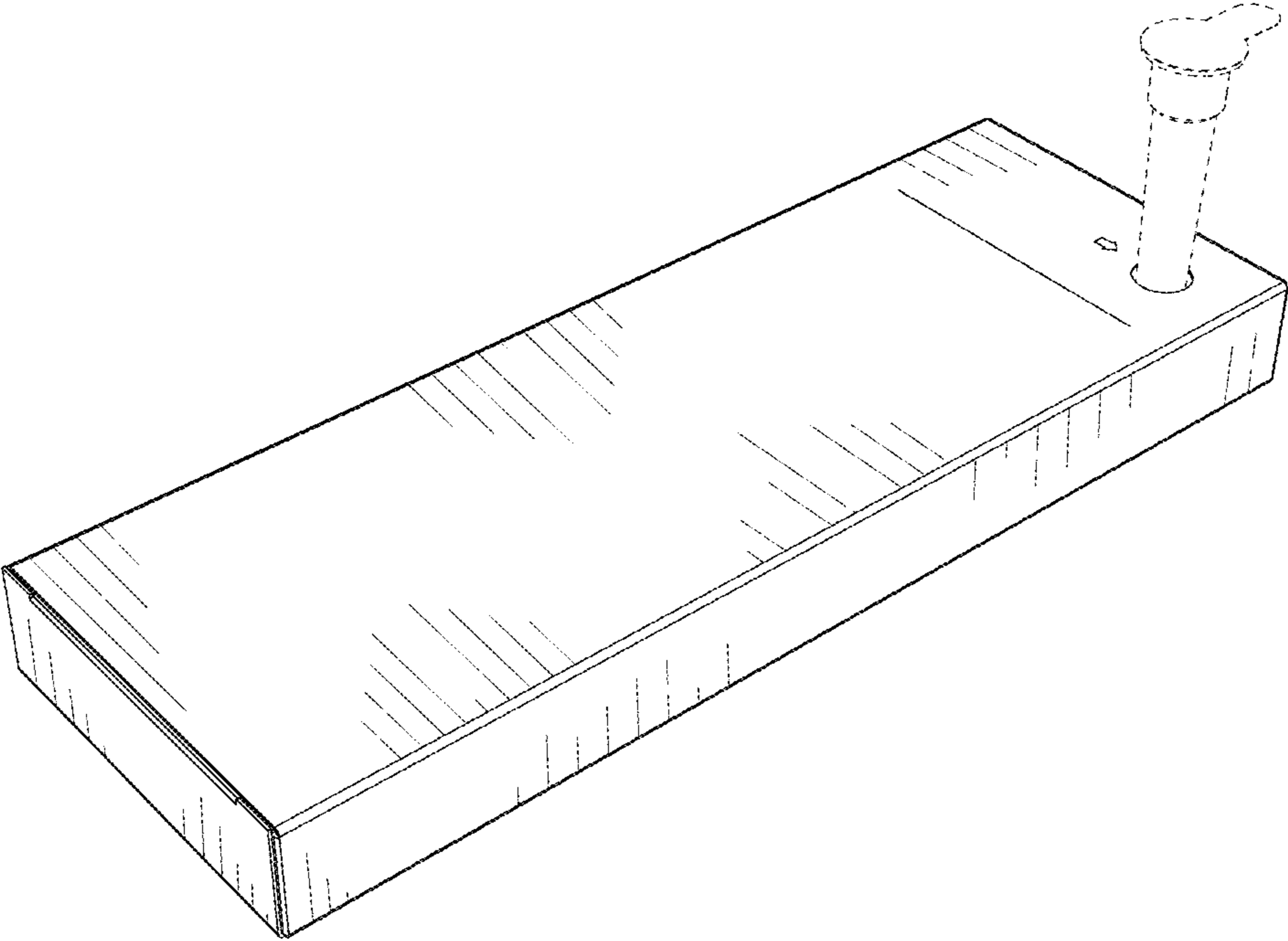


FIG.10

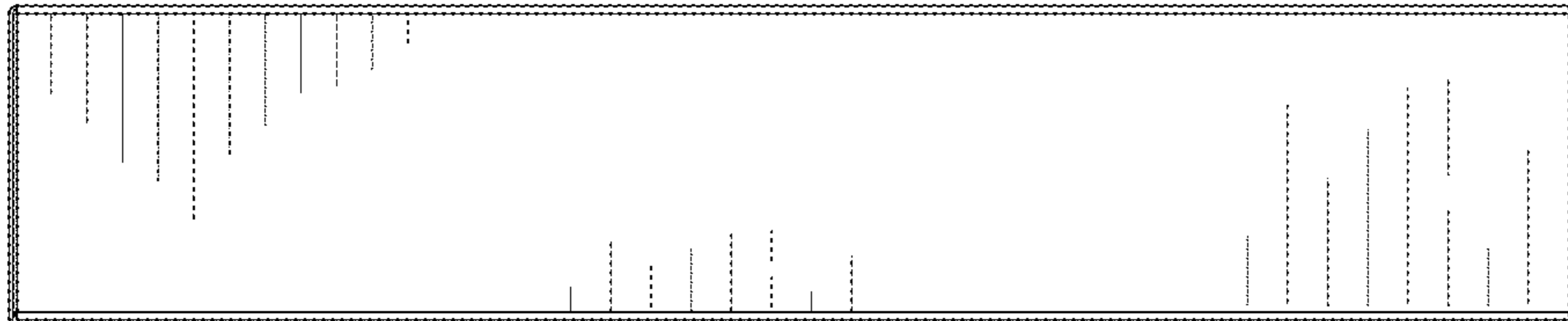


FIG.11

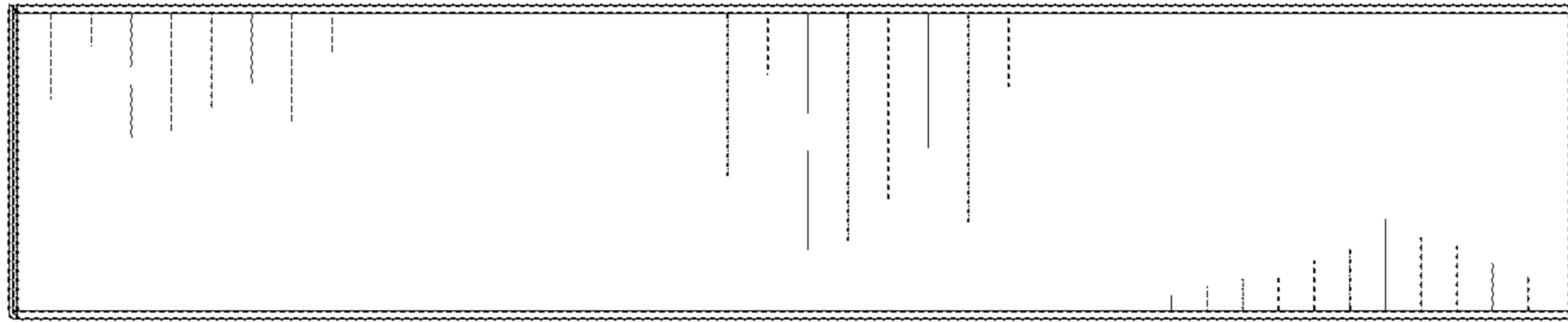


FIG.12

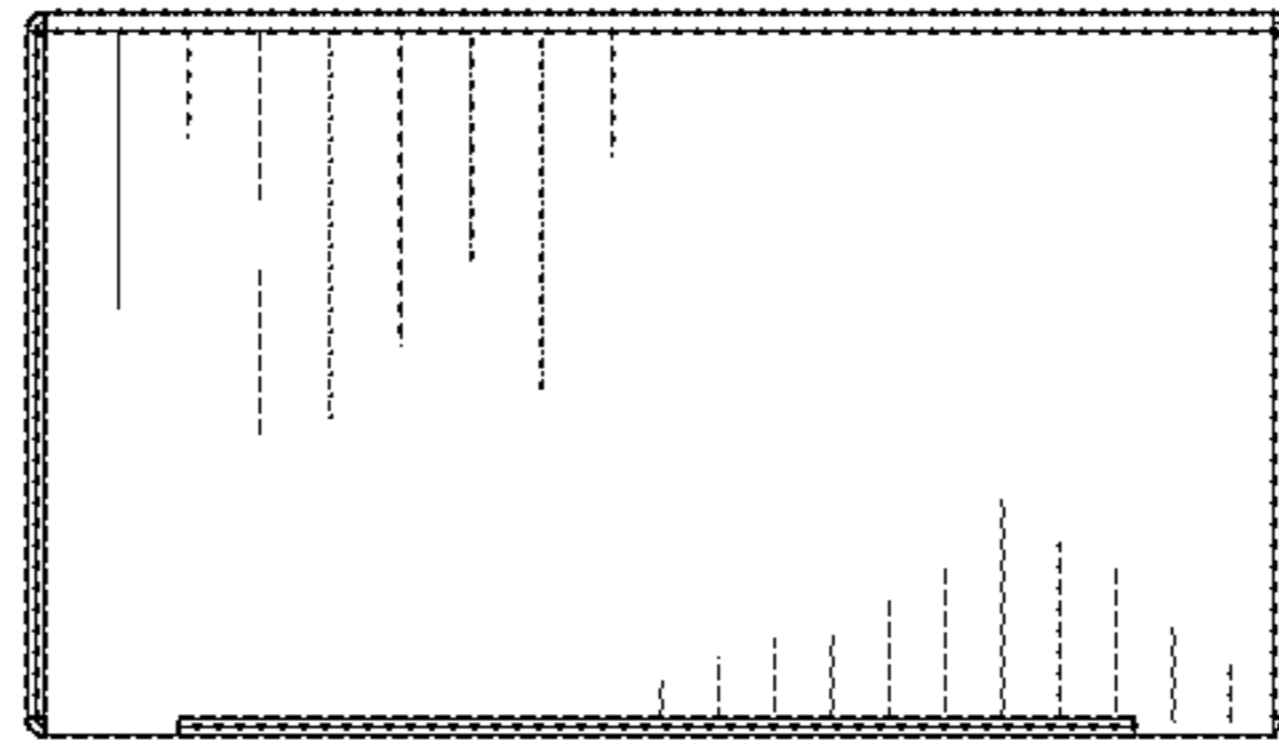


FIG.13

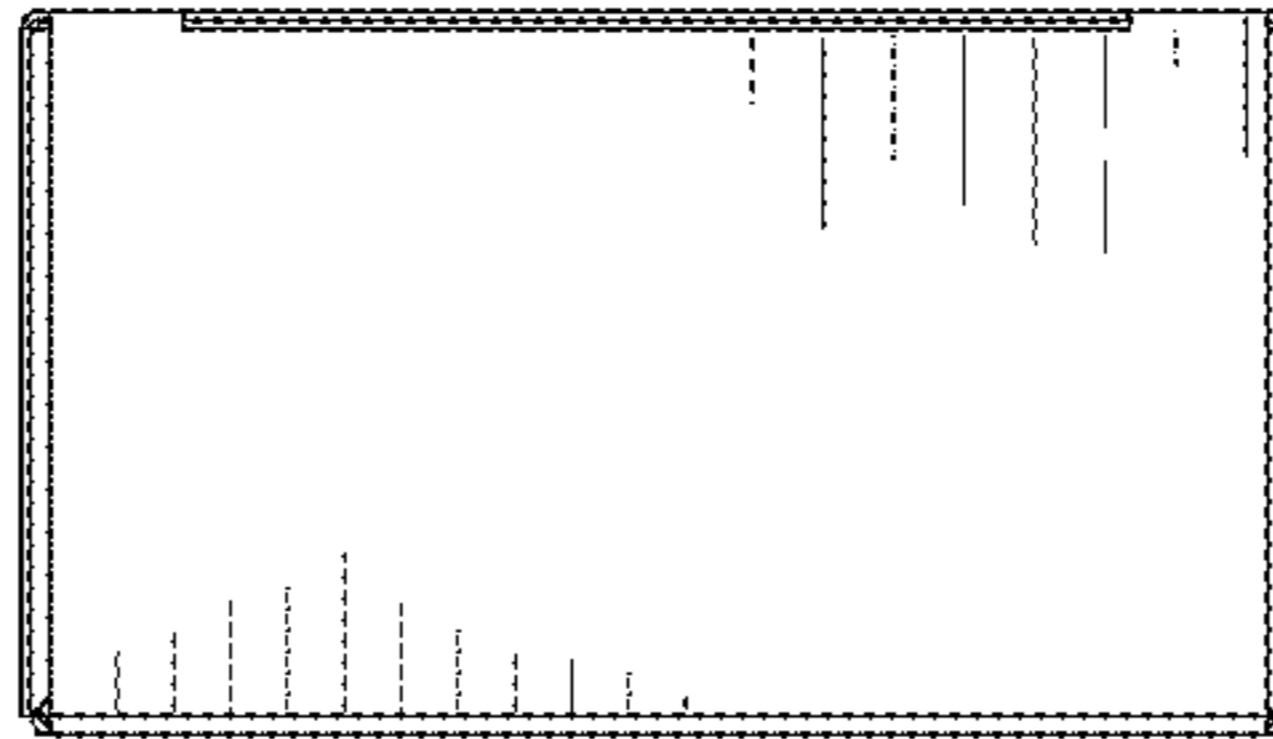


FIG.14

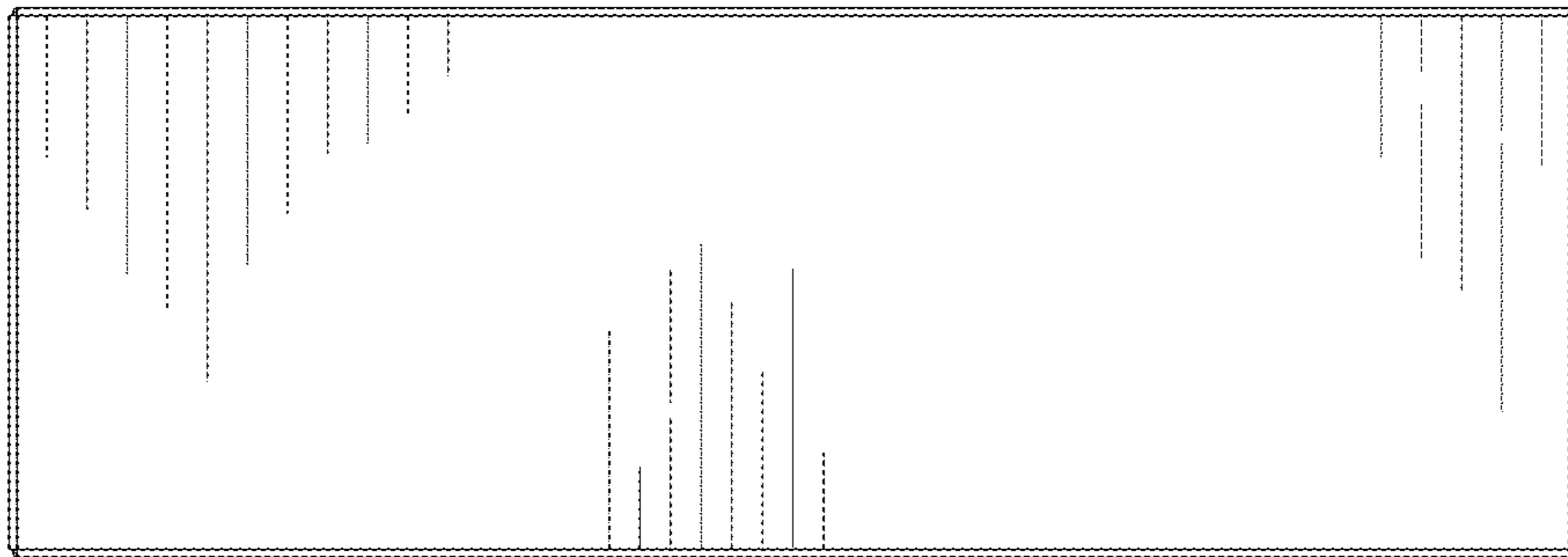


FIG.15

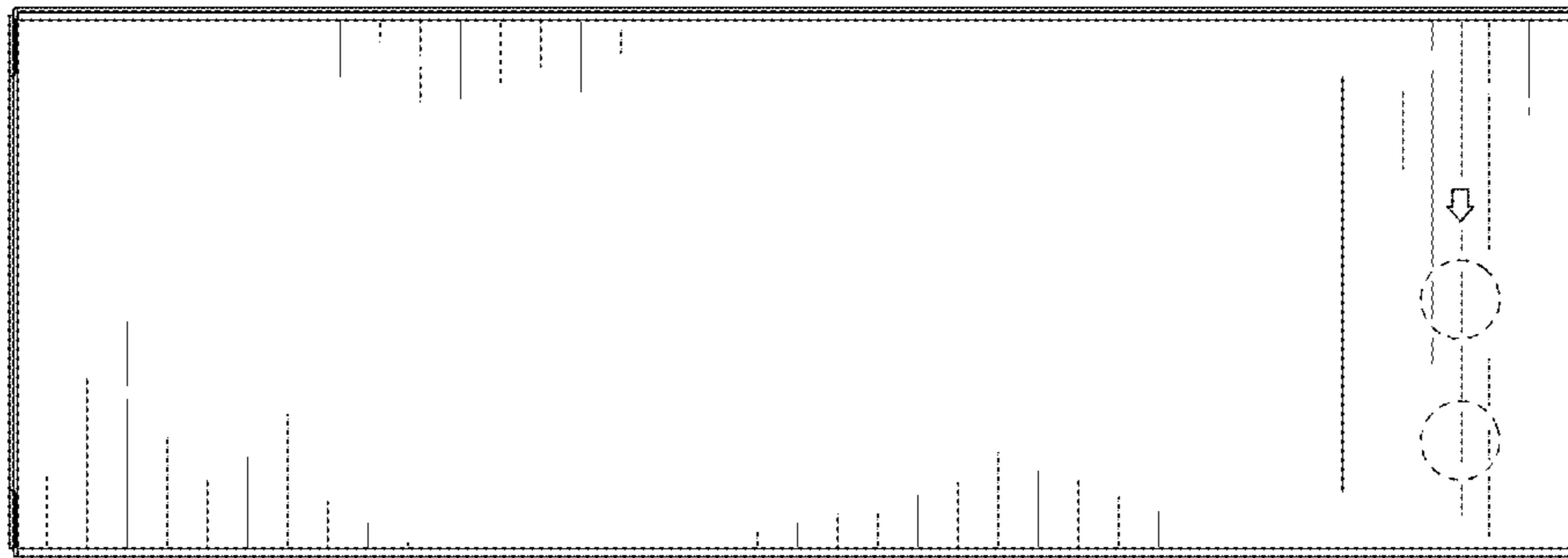


FIG.16

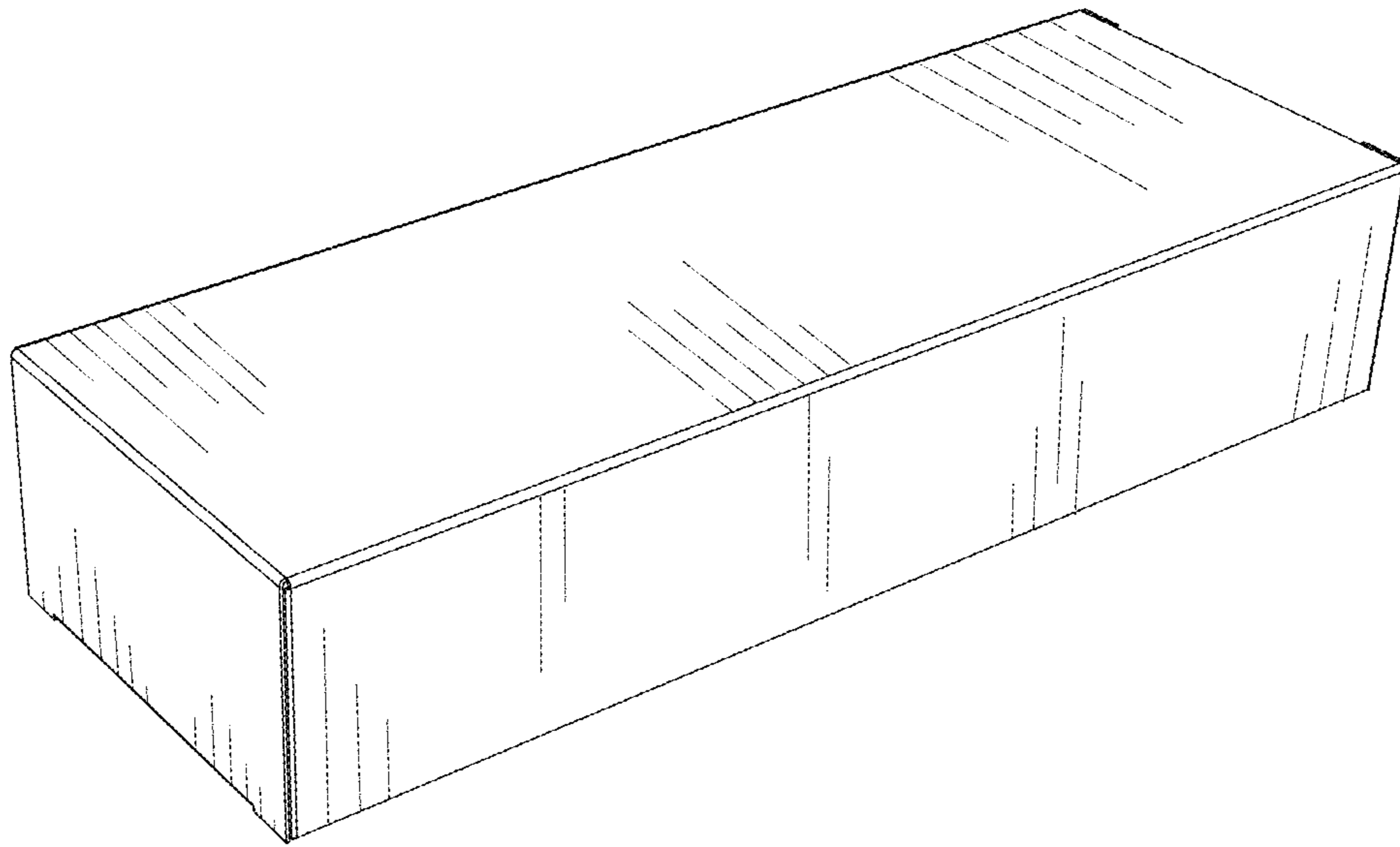


FIG.17

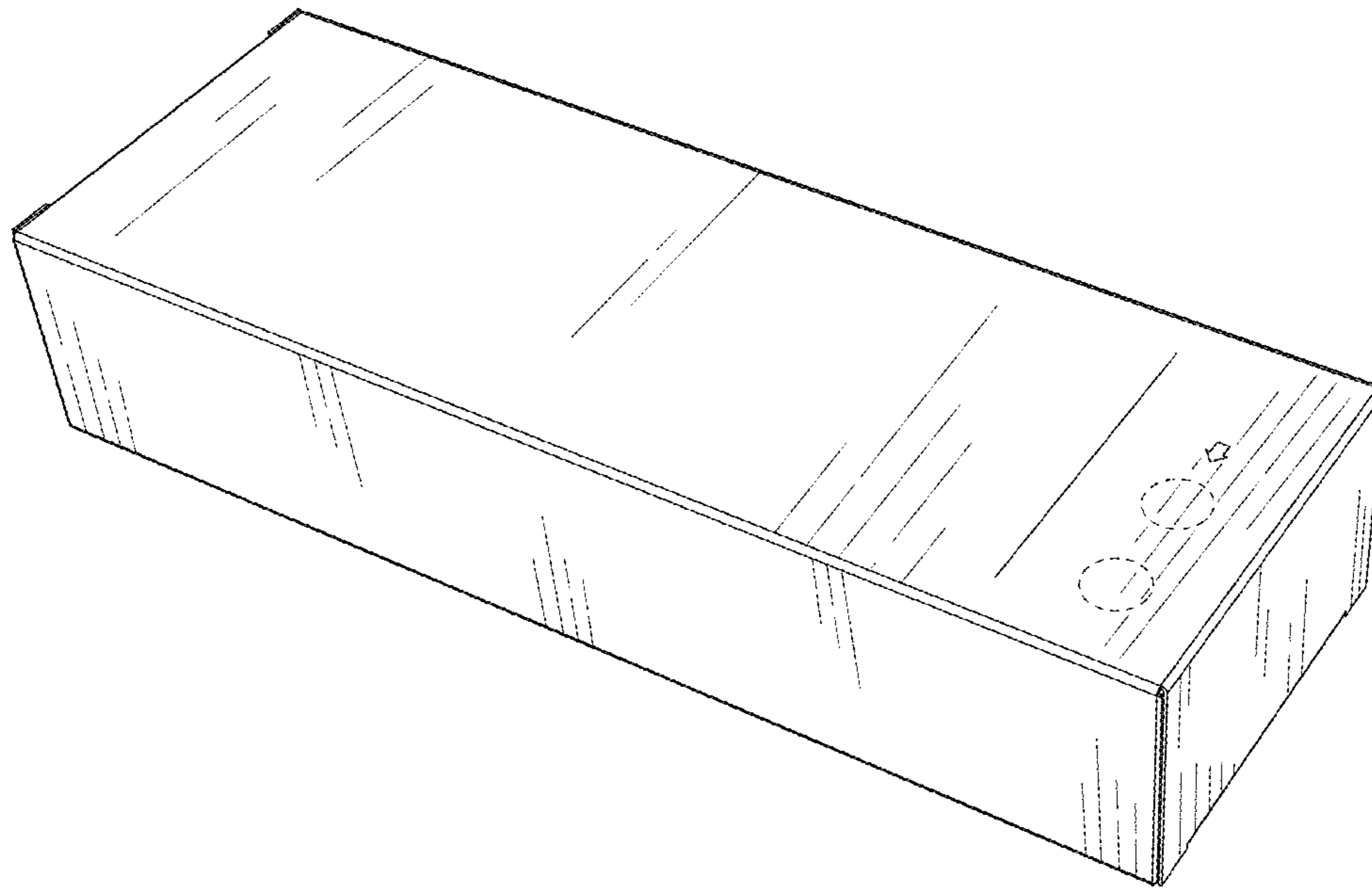


FIG.18

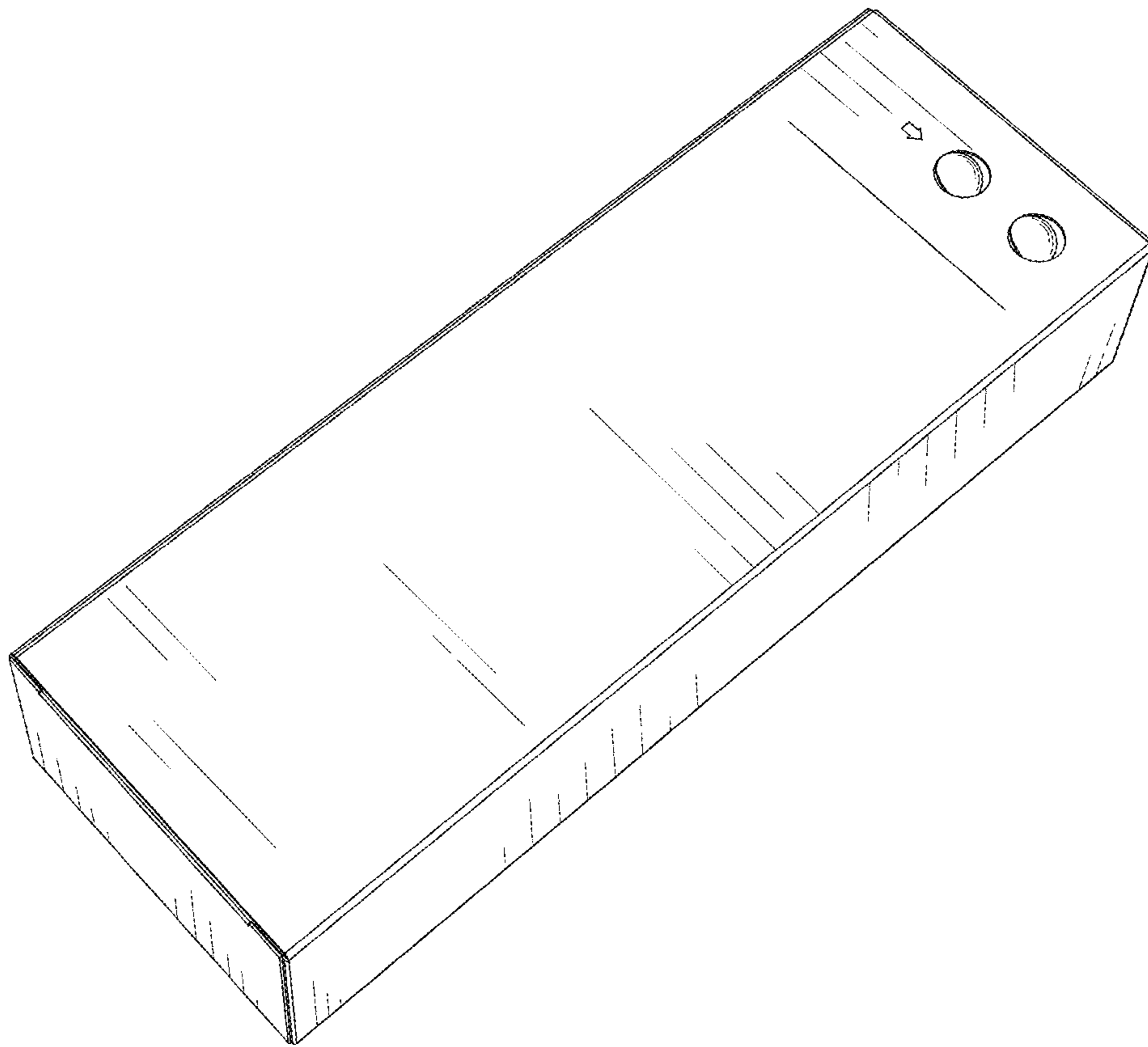


FIG.19

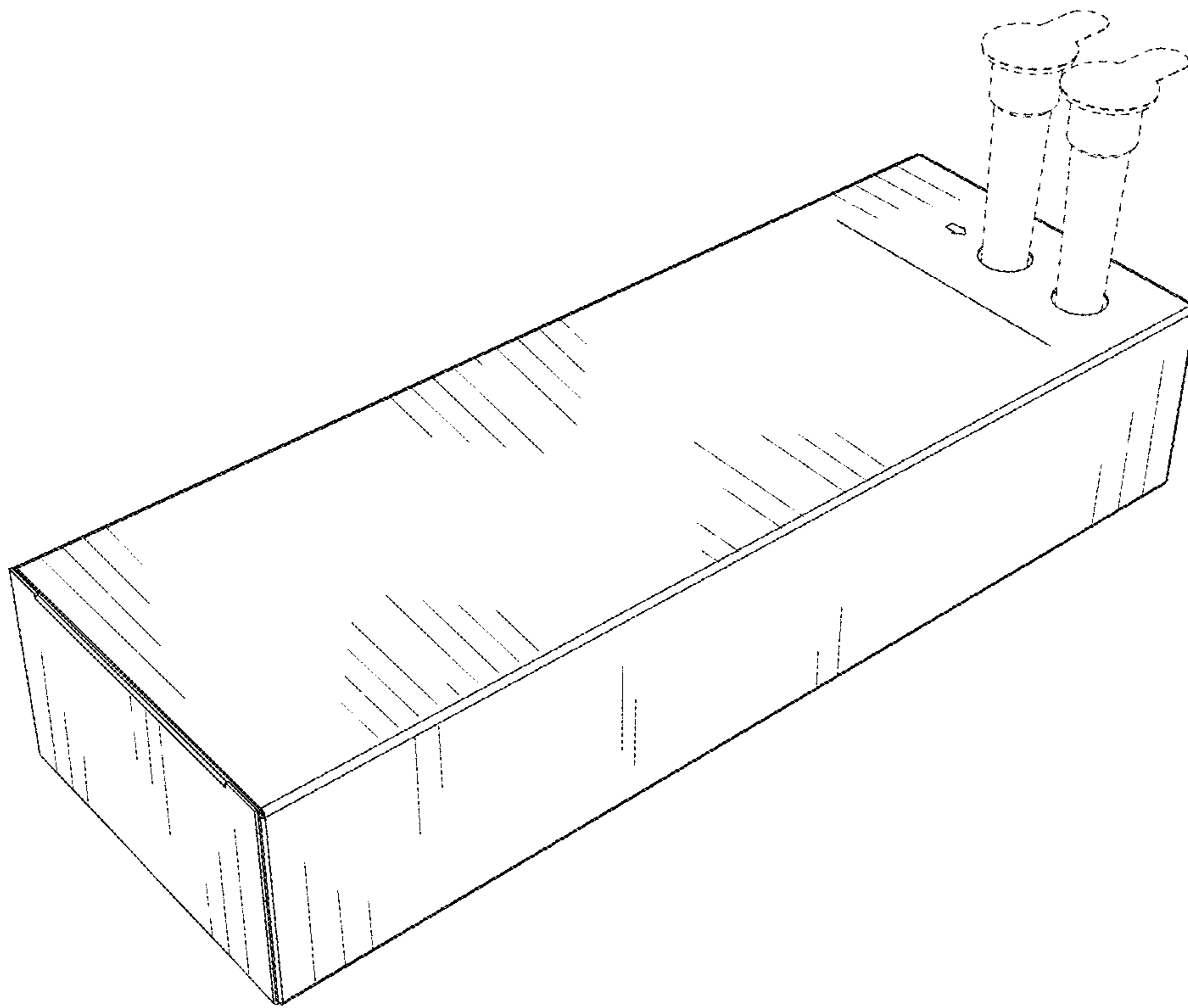


FIG.20