



US00D977964S

(12) **United States Design Patent** (10) **Patent No.:** **US D977,964 S**
Sorbara et al. (45) **Date of Patent:** **** Feb. 14, 2023**

(54) **LID FOR PACKAGING**

(71) Applicant: **TETRA LAVAL HOLDINGS & FINANCE S.A.**, Pully (CH)
 (72) Inventors: **Angelo Sorbara**, Rubiera (IT); **Rocco De Paola**, Modena (IT); **Franco Cani**, Modena (IT); **Tiziano Viani**, Bibbiano (IT)
 (73) Assignee: **TETRA LAVAL HOLDINGS & FINANCE S.A.**, Pully (CH)

(**) Term: **15 Years**

(21) Appl. No.: **35/511,428**

(22) Filed: **Aug. 18, 2020**

(80) **Hague Agreement Data**

Int. Filing Date: **Aug. 18, 2020**
 Int. Reg. No.: **DM/210087**
 Int. Reg. Date: **Aug. 18, 2020**
 Int. Reg. Pub. Date: **Feb. 19, 2021**

(30) **Foreign Application Priority Data**

Feb. 19, 2020 (EM) 007706262

(51) **LOC (14) Cl.** **09-03**

(52) **U.S. Cl.**
USPC **D9/431**

(58) **Field of Classification Search**
 USPC D9/414–415, 416, 420–423, 430, D9/432–433, 435, 721, 431
 CPC B65D 5/42; B65D 5/4258; B65D 81/36; B65D 81/365; B65D 81/366; B65D 81/368; B65D 2203/00; B65D 2203/02; B65D 37/00

See application file for complete search history.

(56) **References Cited**

U.S. PATENT DOCUMENTS

D668,539	S	*	10/2012	Barbieri	D9/431
D677,565	S	*	3/2013	Barbieri	D9/431
2006/0000793	A1	*	1/2006	Mavin	B65D 51/20 222/153.07
2007/0045320	A1	*	3/2007	Biesecker	B65D 50/041 220/288
2011/0290754	A1	*	12/2011	Taber	B65D 41/04 215/329
2012/0279182	A1	*	11/2012	Barbieri	B65D 5/4266 229/164
2016/0039579	A1	*	2/2016	Wood	B65D 41/0421 215/329

* cited by examiner

Primary Examiner — Holly E Thurman

(74) *Attorney, Agent, or Firm* — Leason Ellis LLP

(57) **CLAIM**

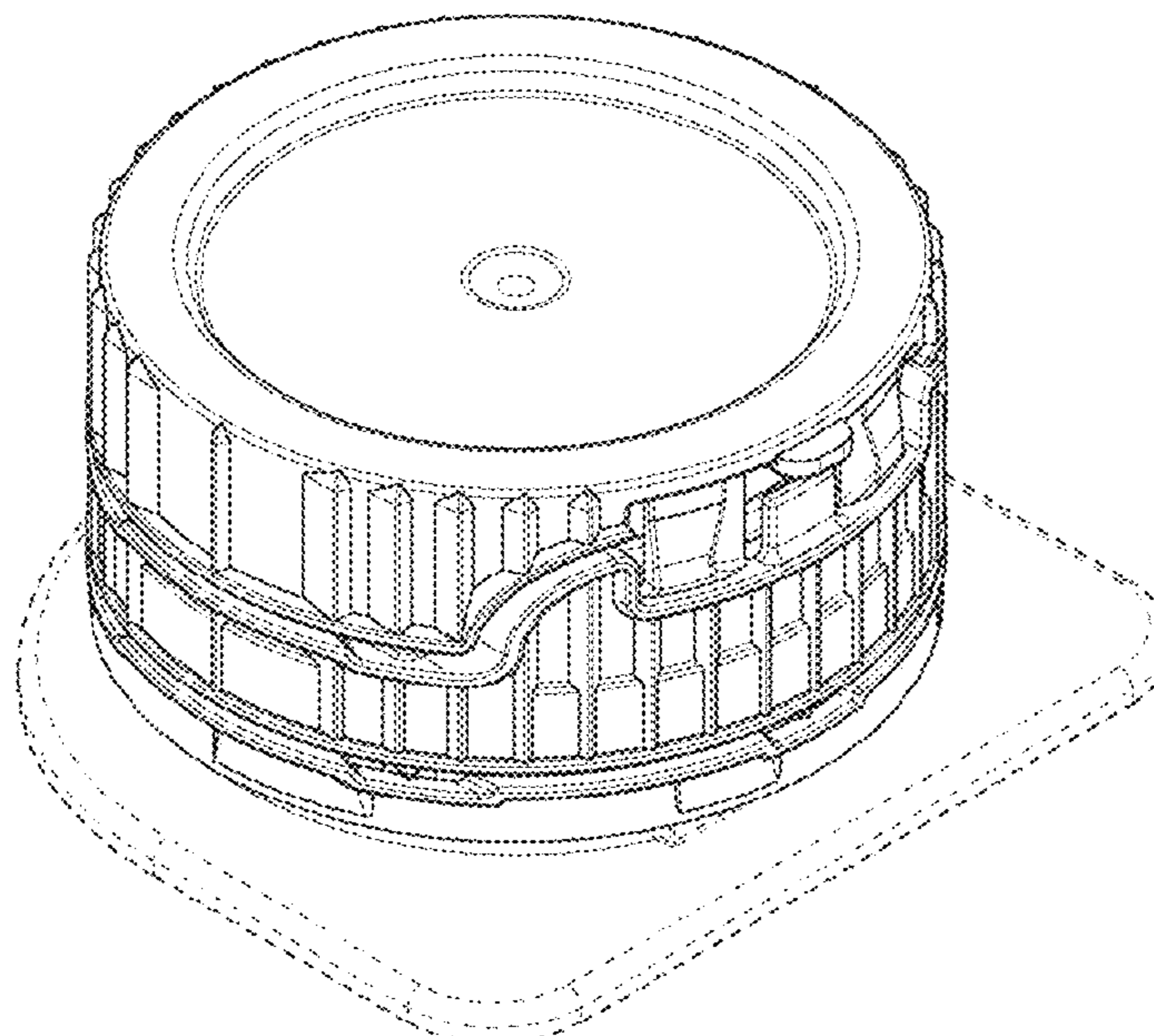
The ornamental design for a lid for packaging, as shown and described.

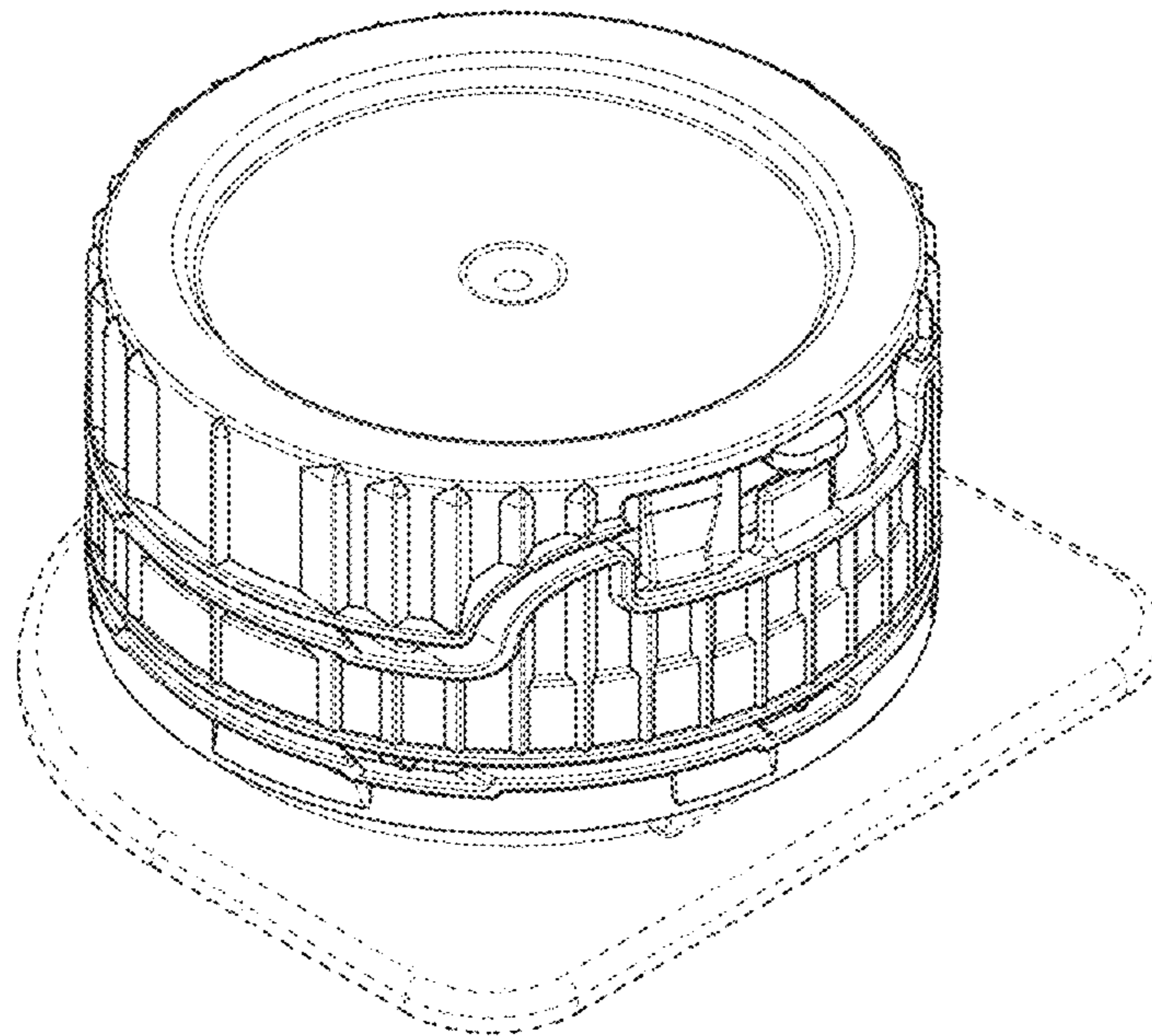
DESCRIPTION

- 1. Lid for packaging
- 1.1 : Perspective
- 1.2 : Front
- 1.3 : Back
- 1.4 : Right
- 1.5 : Left
- 1.6 : Top
- 1.7 : Bottom

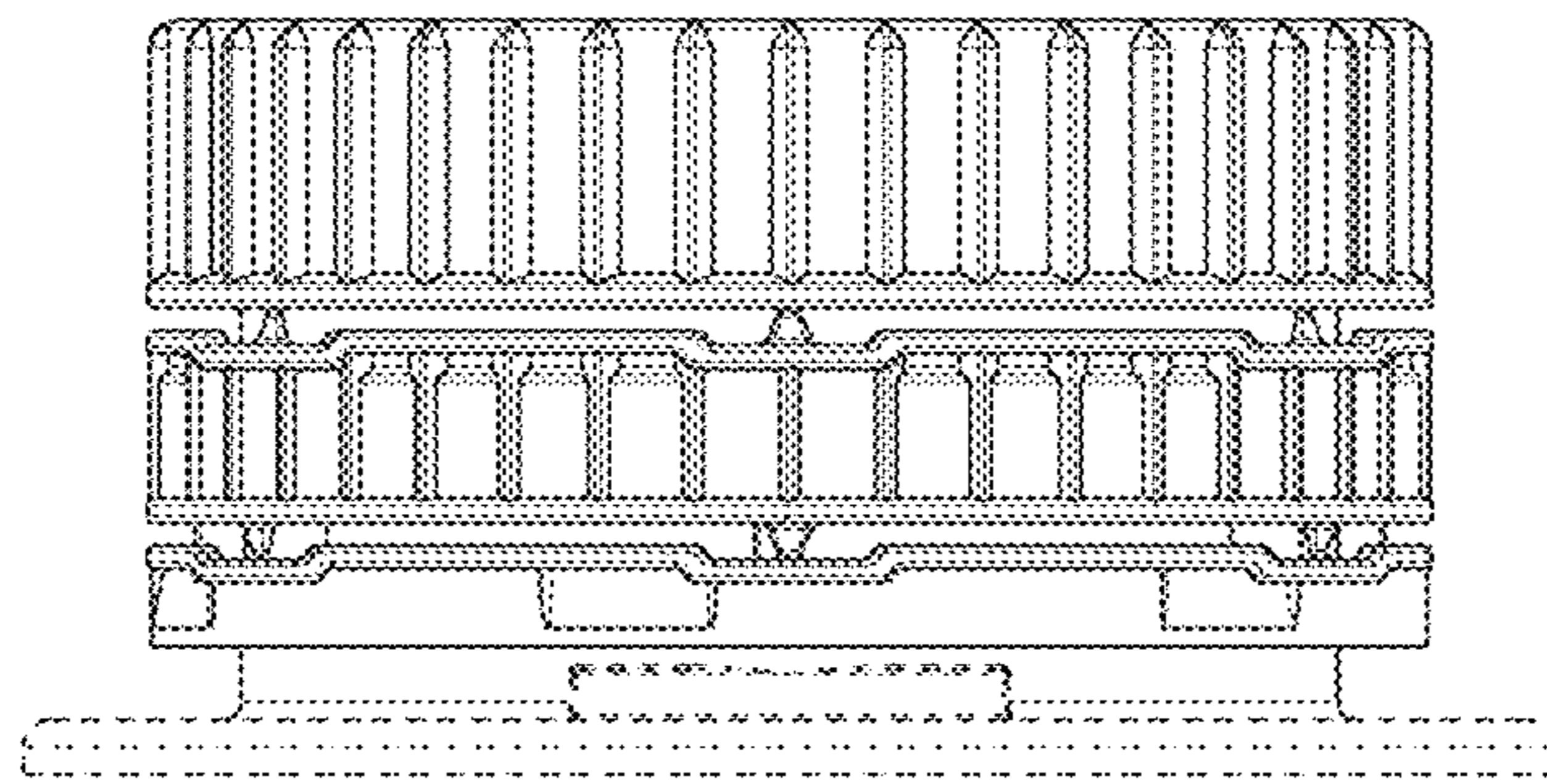
The broken lines in the drawings depict unclaimed portions of the lid for packaging and form no part of the claimed design.

1 Claim, 7 Drawing Sheets

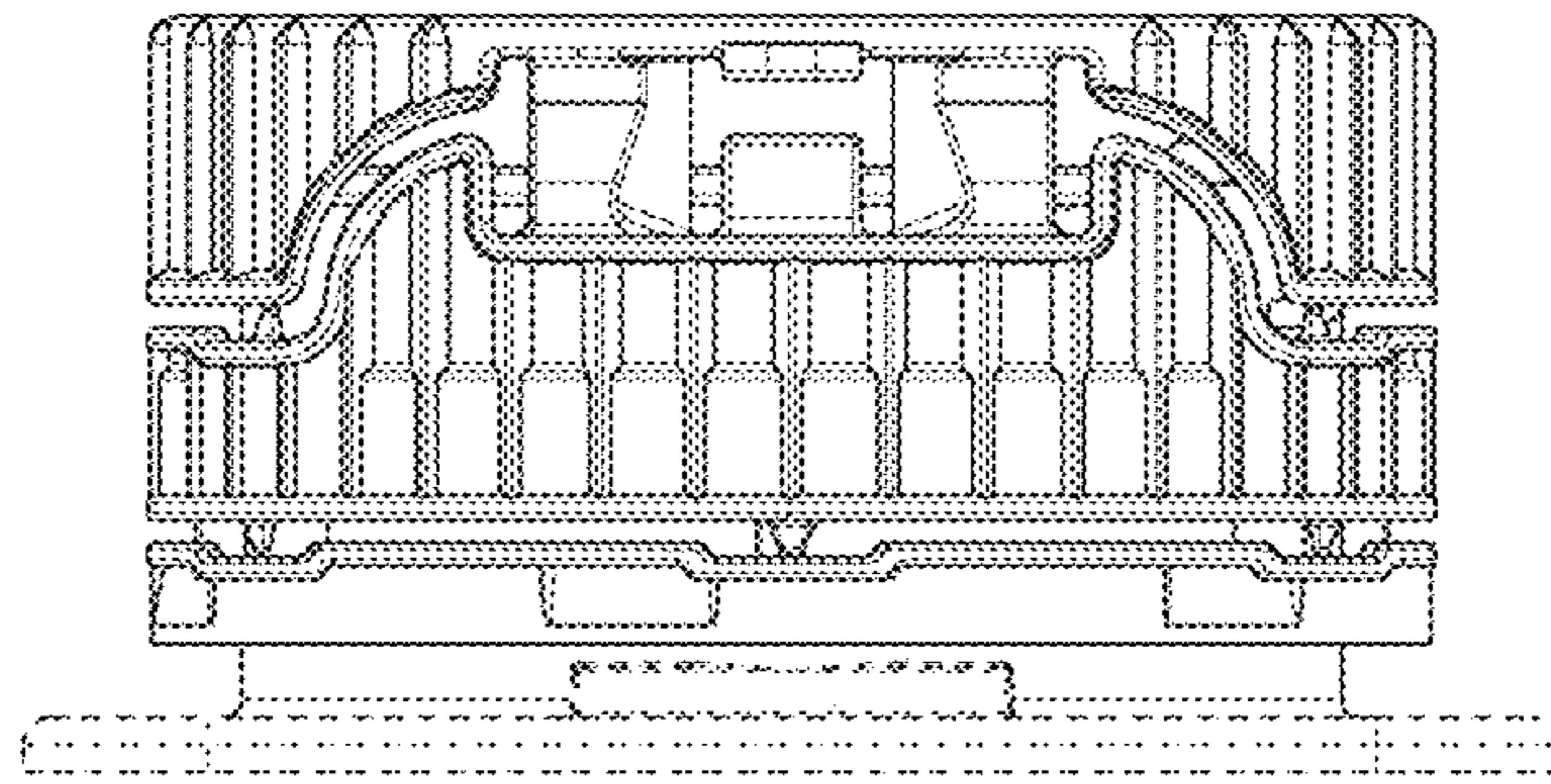




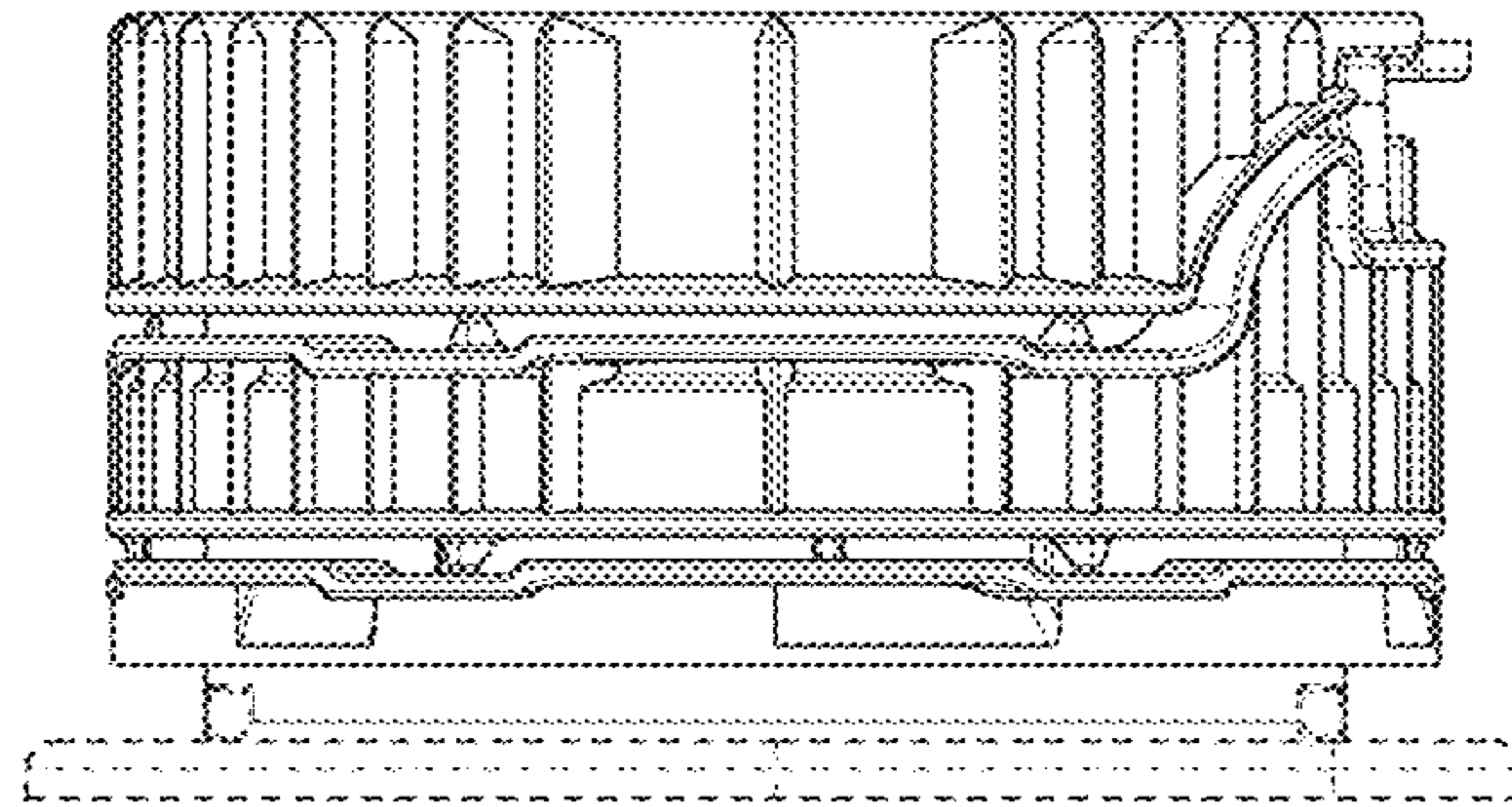
1.1



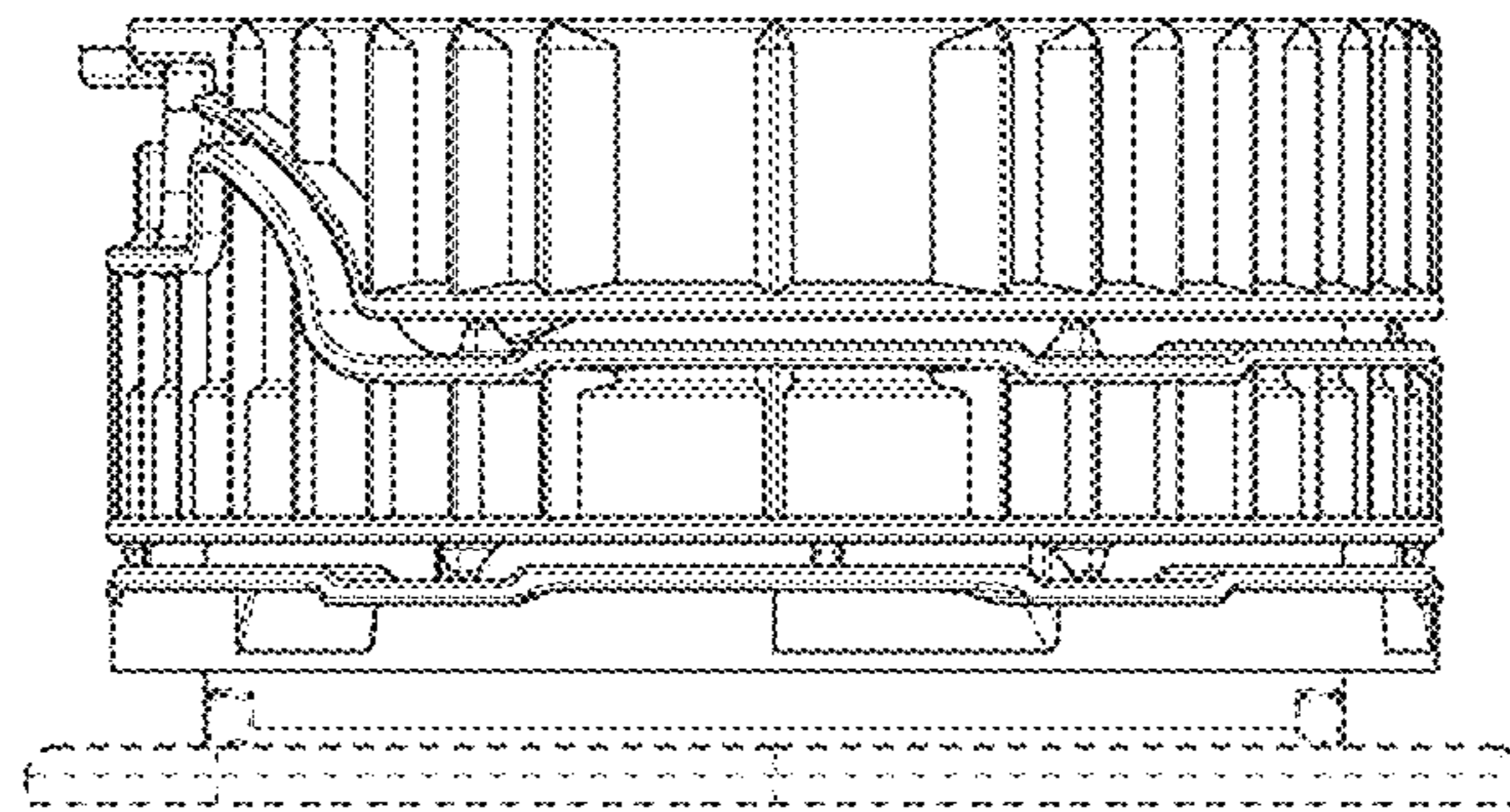
1.2



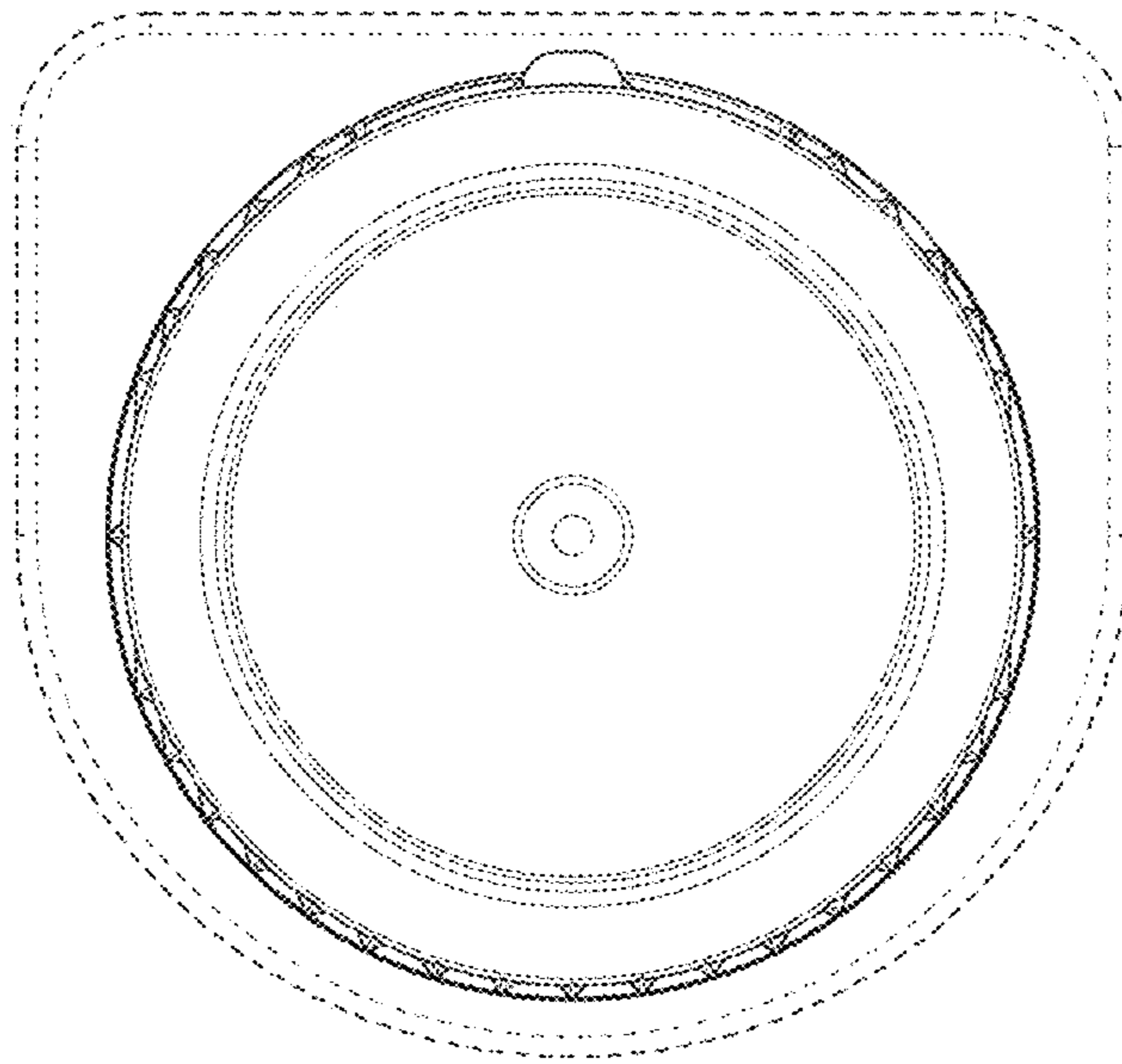
1.3



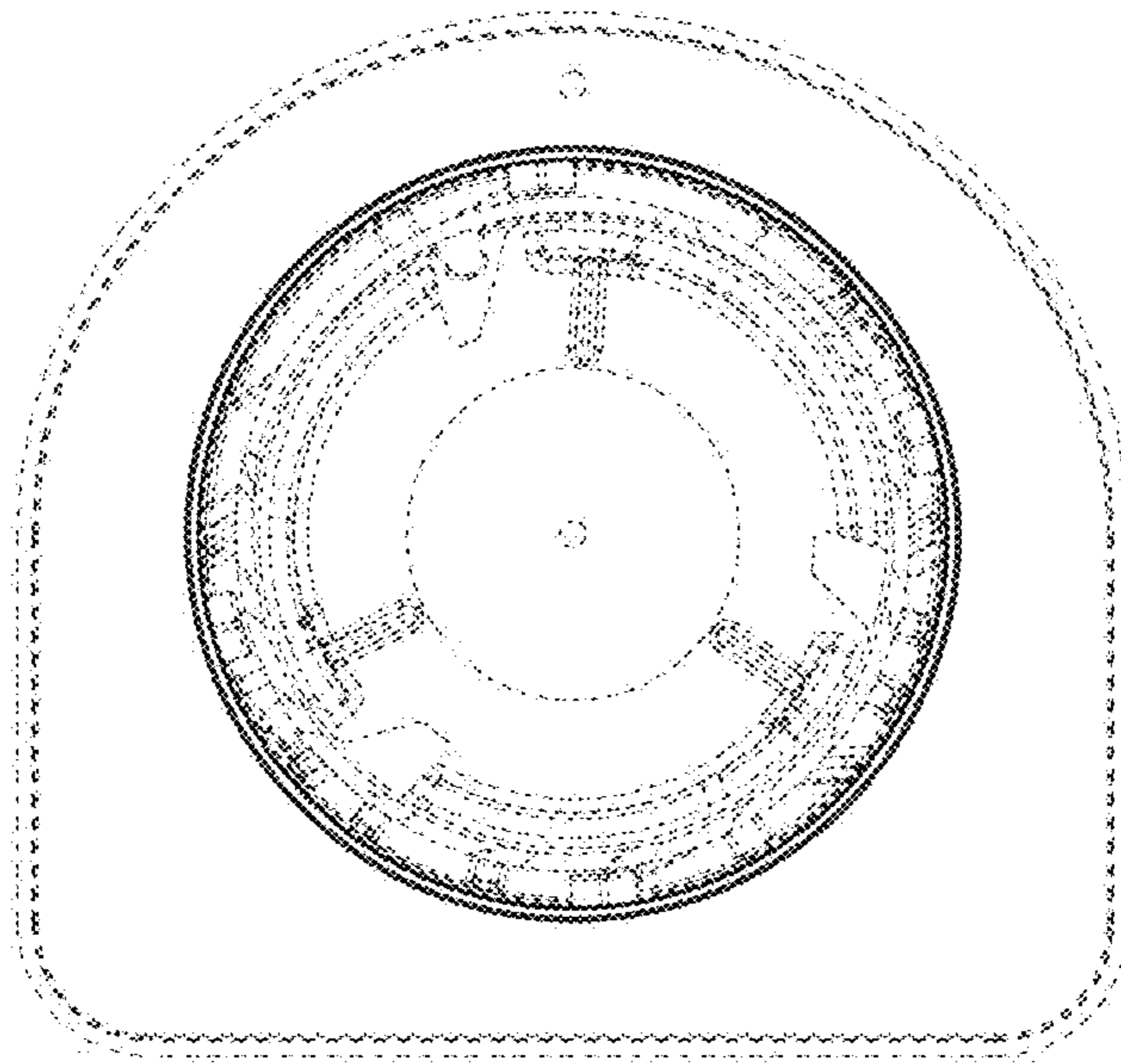
1.4



1.5



1.6



1.7