



US00D977963S

(12) **United States Design Patent**
Gisholt

(10) **Patent No.:** **US D977,963 S**

(45) **Date of Patent:** **** Feb. 14, 2023**

- (54) **POD**
- (71) Applicant: **AQ Nutrition LLC**, Duxbury, MA (US)
- (72) Inventor: **Paal Gisholt**, Duxbury, MA (US)
- (73) Assignee: **AQ Nutrition LLC**, Duxbury, MA (US)
- (**) Term: **15 Years**
- (21) Appl. No.: **29/718,469**
- (22) Filed: **Dec. 24, 2019**
- (51) **LOC (14) Cl.** **09-03**
- (52) **U.S. Cl.**
USPC **D9/425**
- (58) **Field of Classification Search**
USPC D7/400, 601, 608; D9/416, 417, 420, D9/425-429, 430, 432, 761
CPC A47J 19/005; A47J 31/06; A47J 31/0689; B65D 1/00; B65D 1/26; B65D 1/34; B65D 1/40; B65D 85/804; B65D 85/8043; B65D 2581/3409
See application file for complete search history.

D270,813 S *	10/1983	Fortuna	D9/428
D710,686 S *	8/2014	Gowens	D9/429
D753,483 S *	4/2016	Accursi	D9/429
D796,898 S *	9/2017	Robotti	D7/400
D815,925 S *	4/2018	Rapparini	D9/500
D817,757 S *	5/2018	Kim	D9/429
2015/0183575 A1 *	7/2015	Dogliani Majer .	B65D 85/8046 99/295

* cited by examiner

Primary Examiner — Janice Patyk

(74) *Attorney, Agent, or Firm* — Fox Rothschild LLP

(57) **CLAIM**

The ornamental design for a pod, as shown and described.

DESCRIPTION

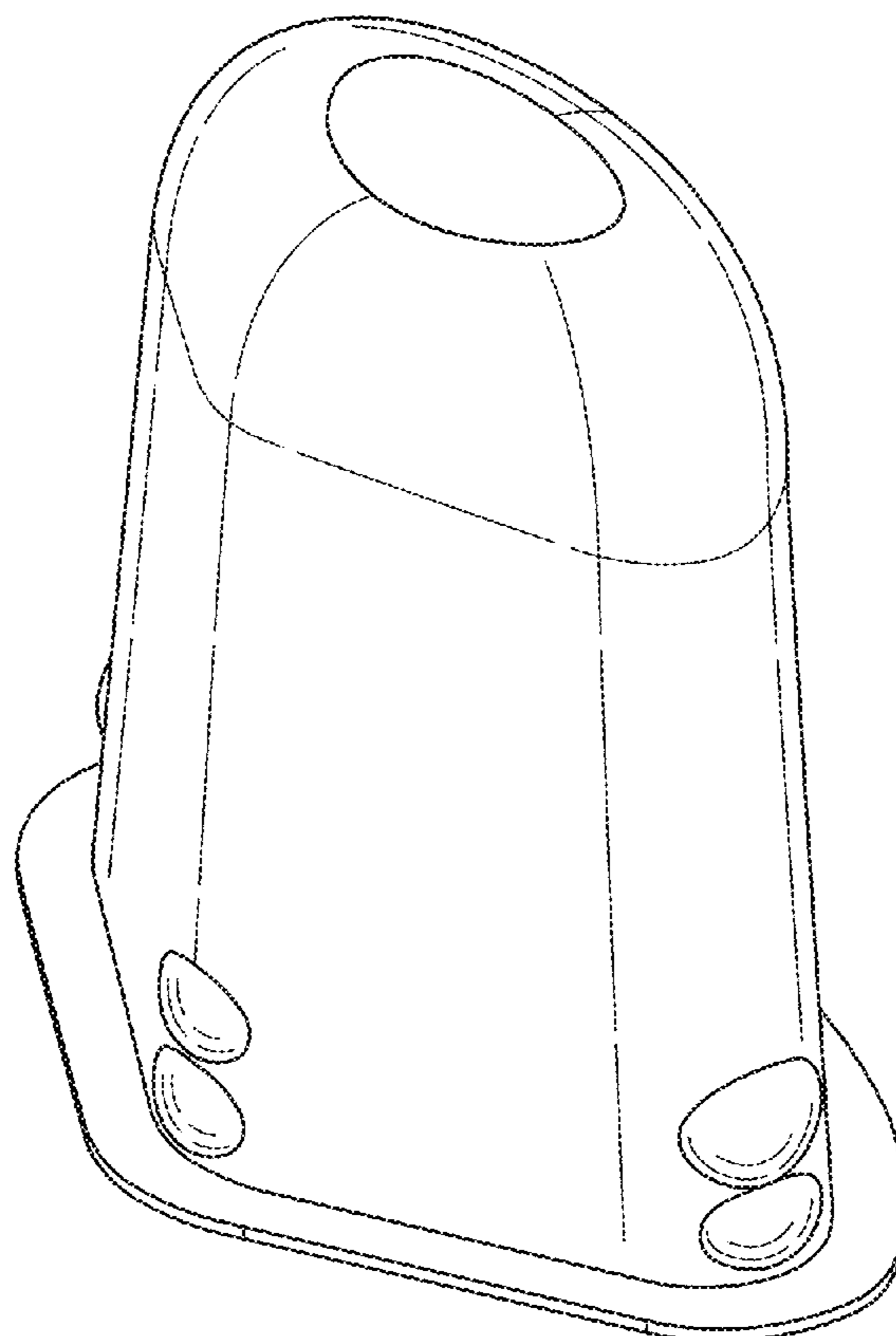
FIG. 1 is a front perspective view of a pod, showing my new design;
 FIG. 2 is a left side view thereof;
 FIG. 3 is a rear perspective view thereof;
 FIG. 4 is a right side view thereof;
 FIG. 5 is a bottom perspective view thereof;
 FIG. 6 is a top perspective view thereof;
 FIG. 7 is a bottom view thereof;
 FIG. 8 is a top view thereof; and,
 FIG. 9 is an exploded bottom perspective view thereof.
 The dot-dash broken lines of FIG. 9 are included to show relationship of the lid and pod only and form no part of the claimed design.

(56) **References Cited**

U.S. PATENT DOCUMENTS

D216,870 S *	3/1970	Fortuna	D9/429
D267,543 S *	1/1983	Nemura	D9/428

1 Claim, 9 Drawing Sheets



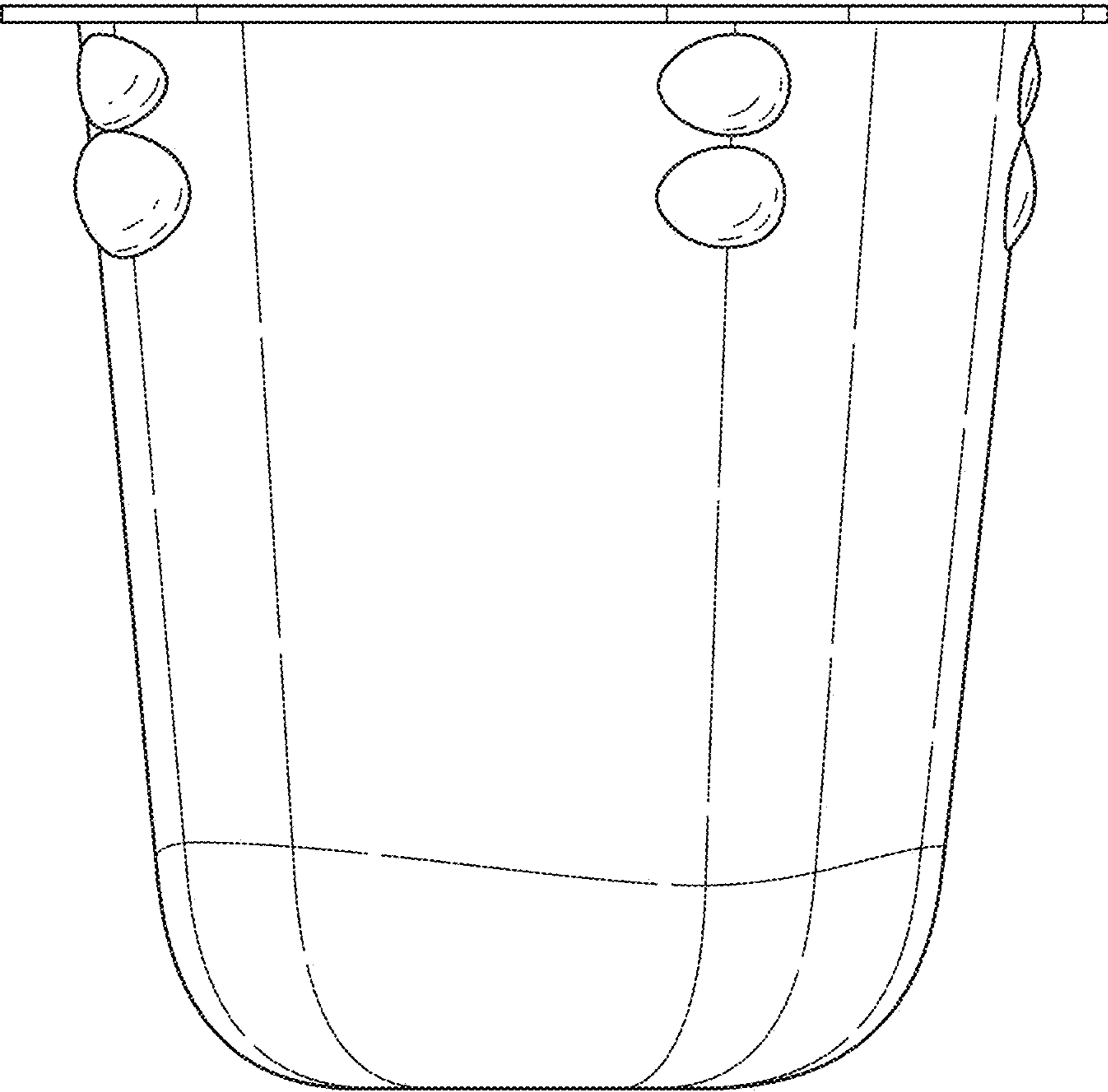


FIG. 1

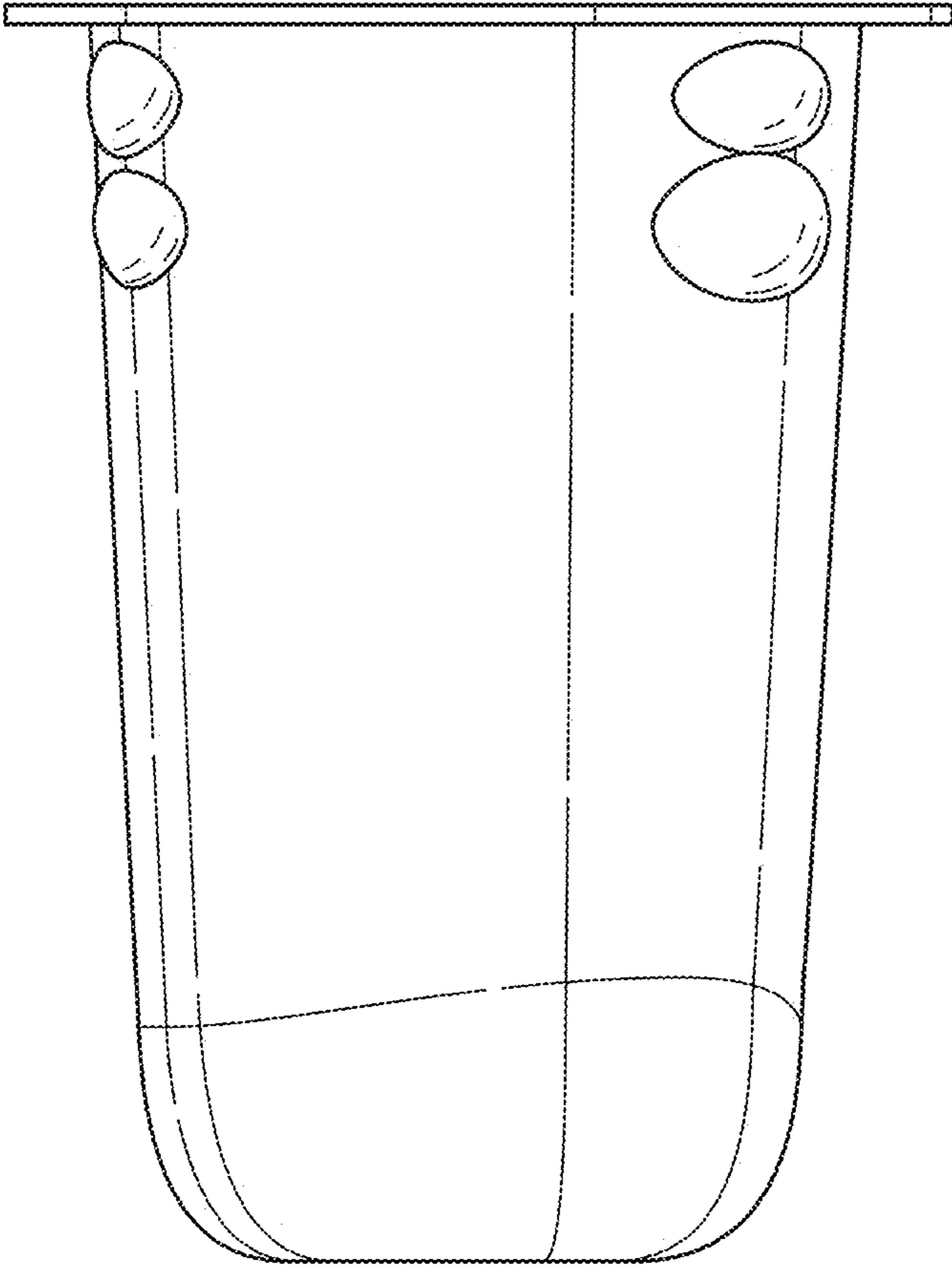


FIG. 2

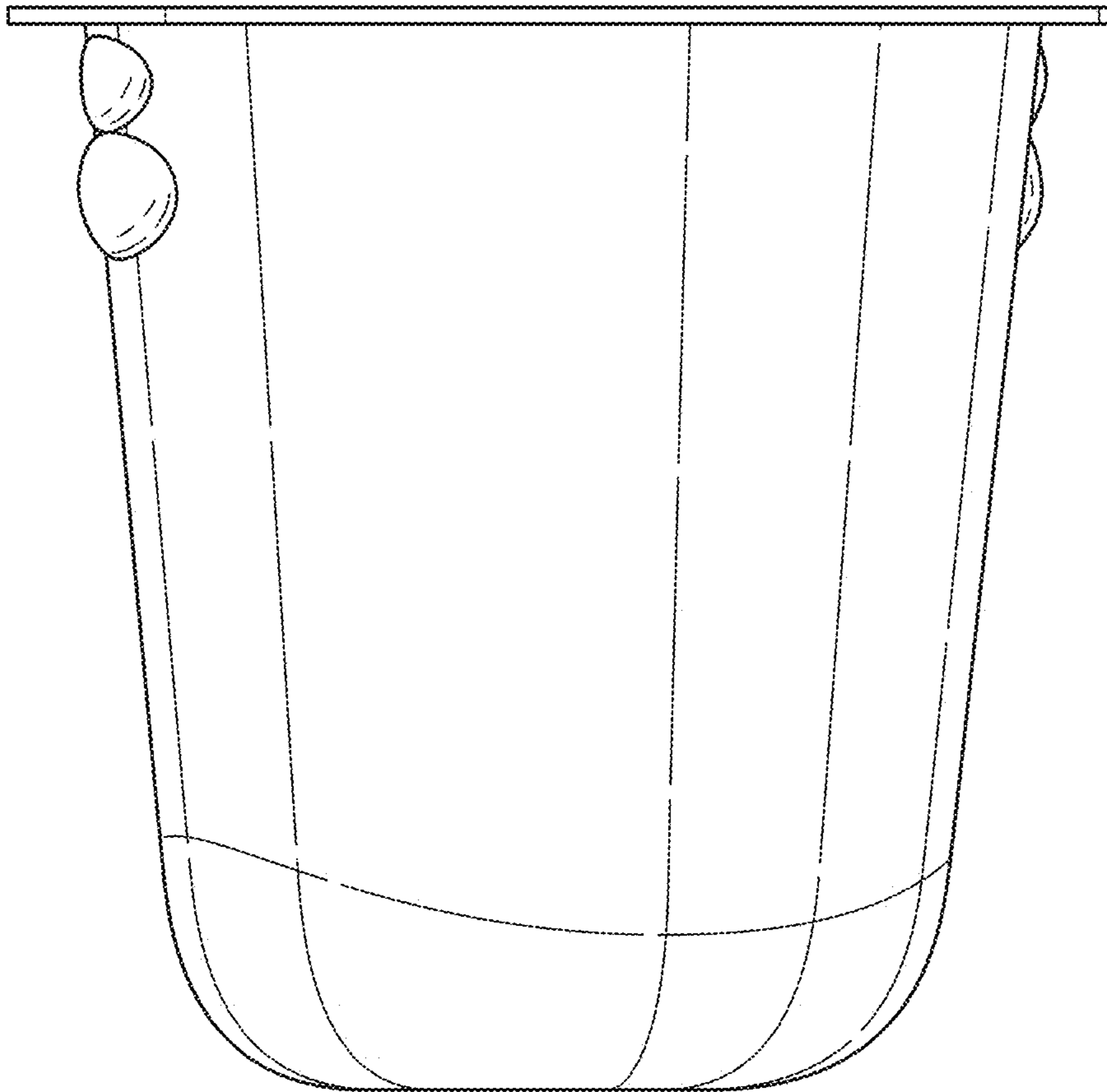


FIG. 3

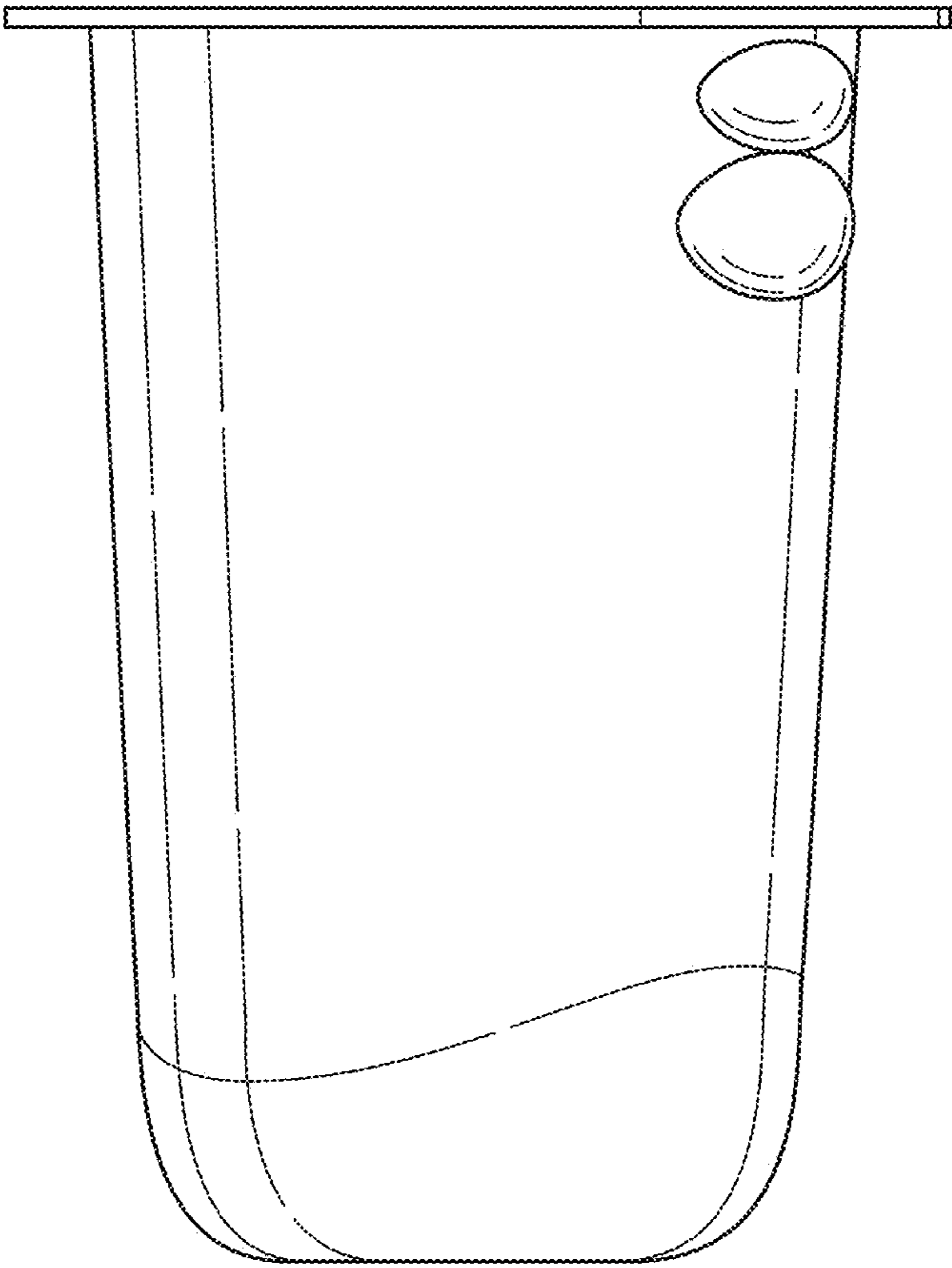


FIG. 4

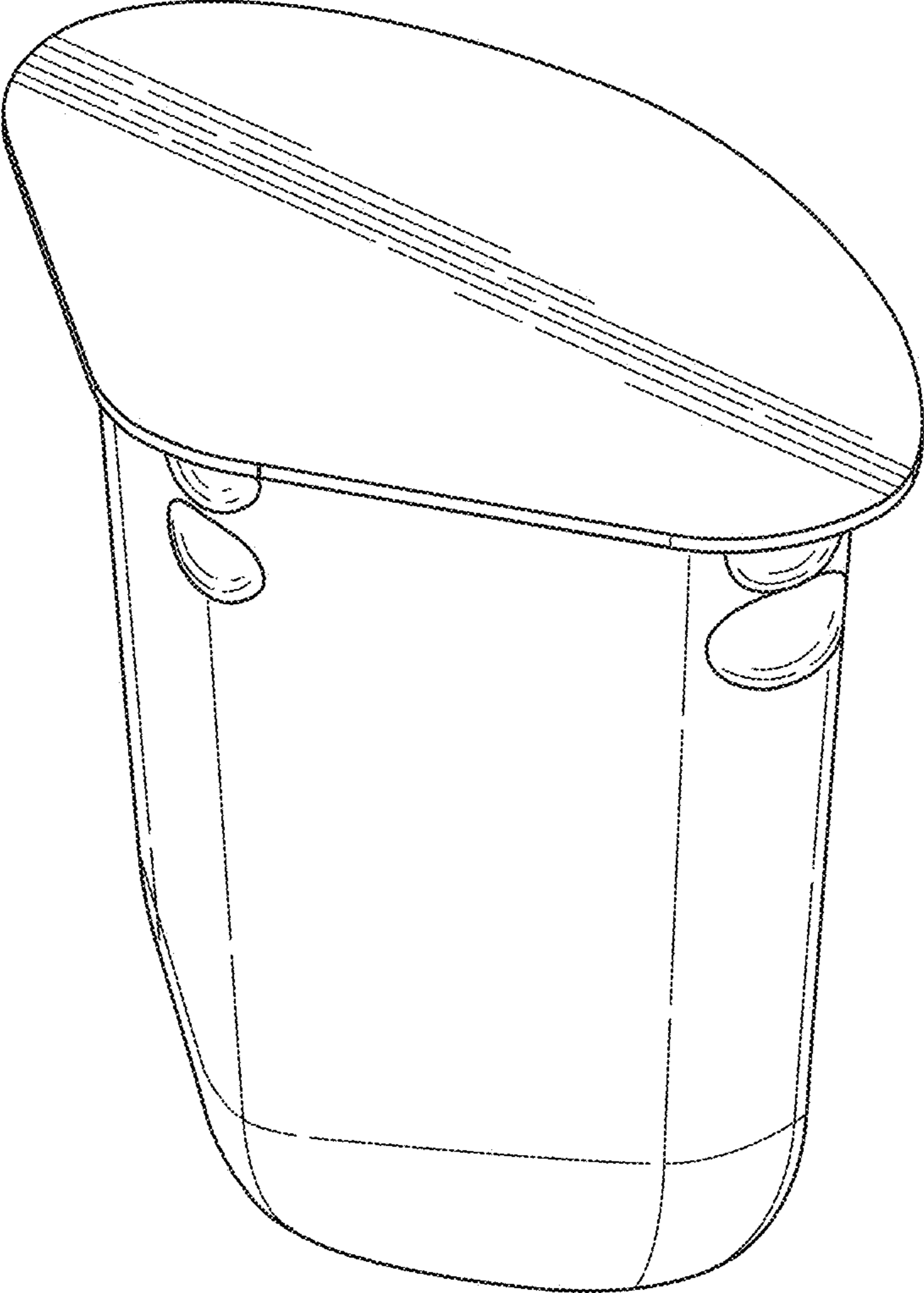


FIG. 5

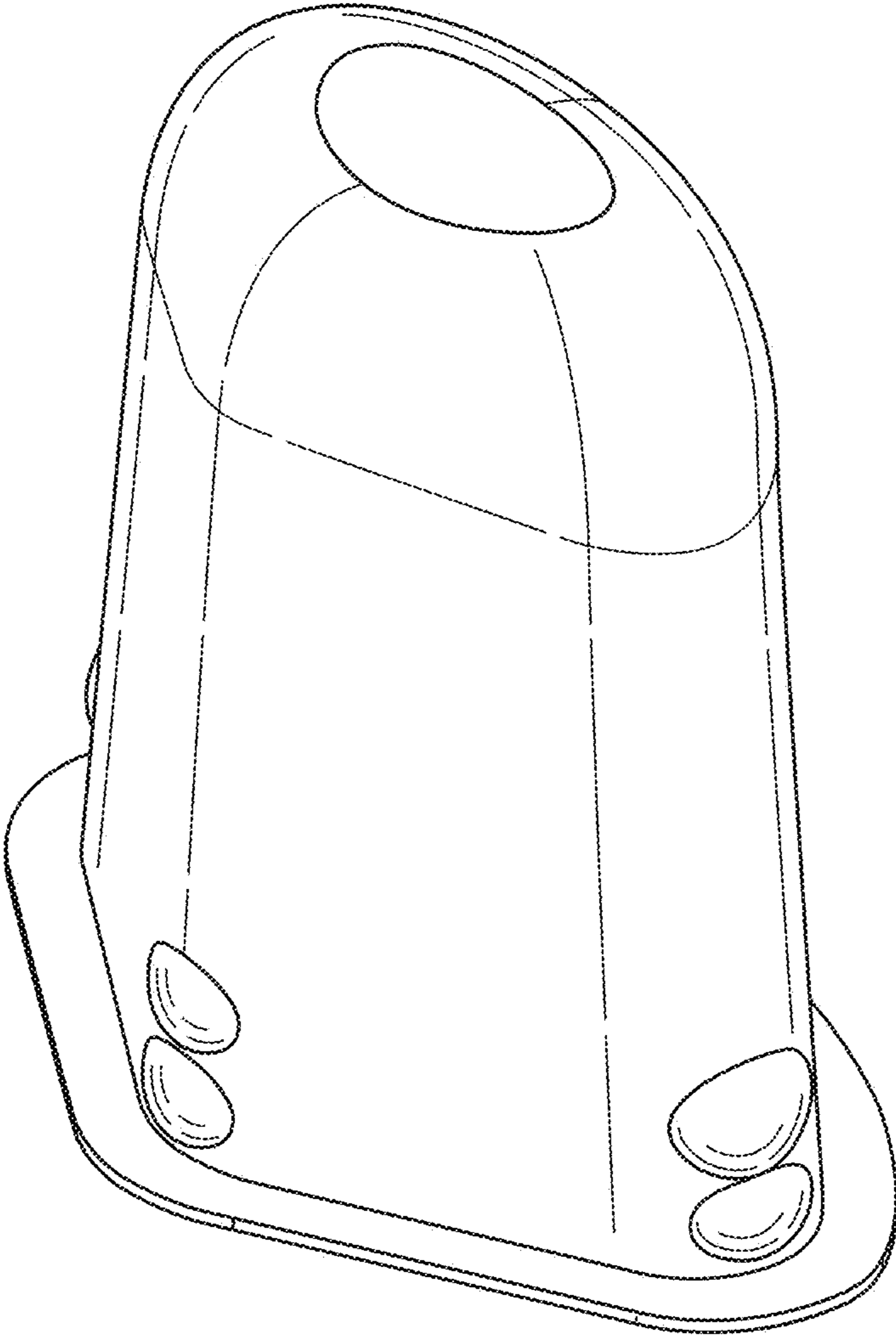


FIG. 6

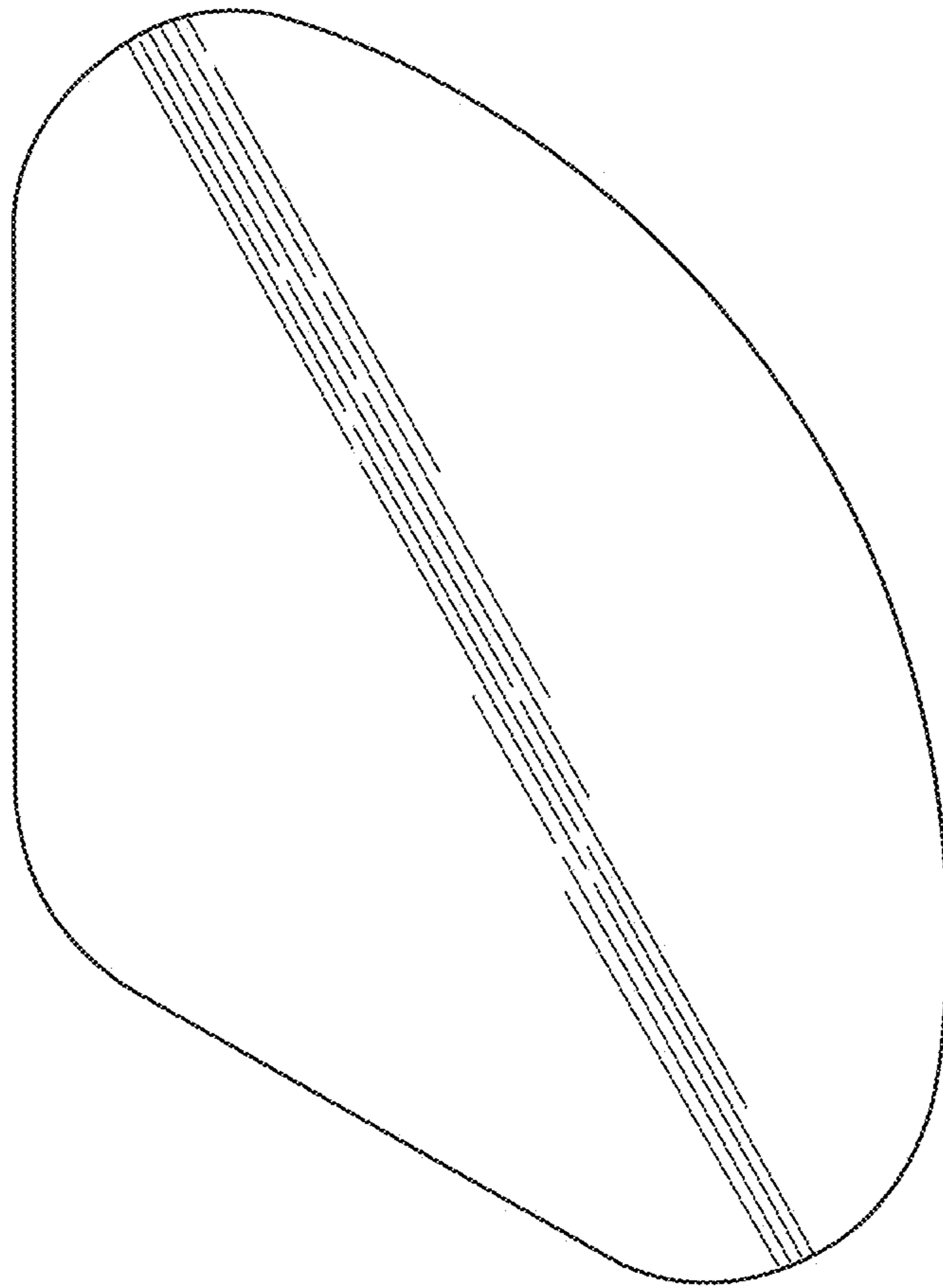


FIG. 7

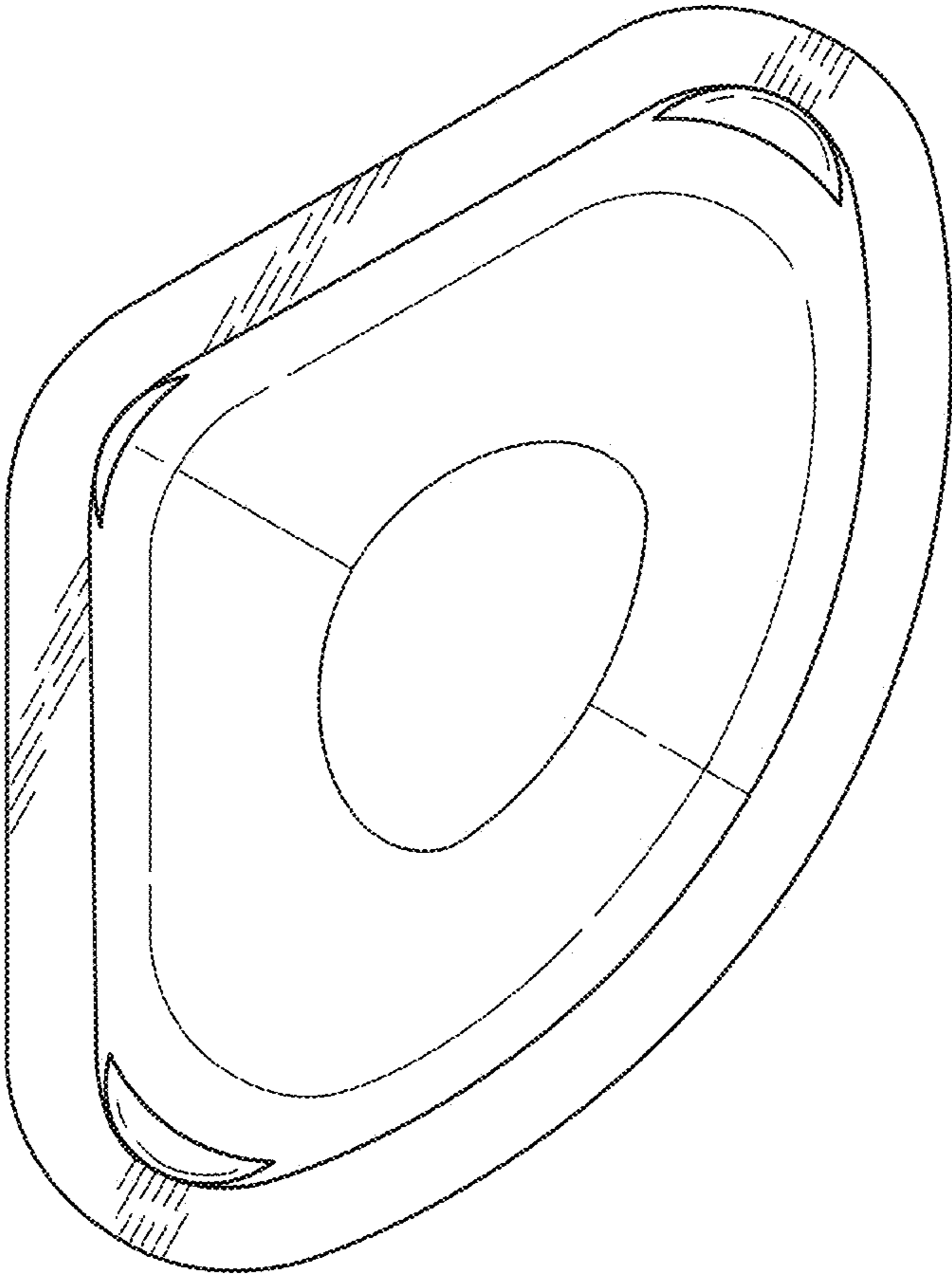


FIG. 8

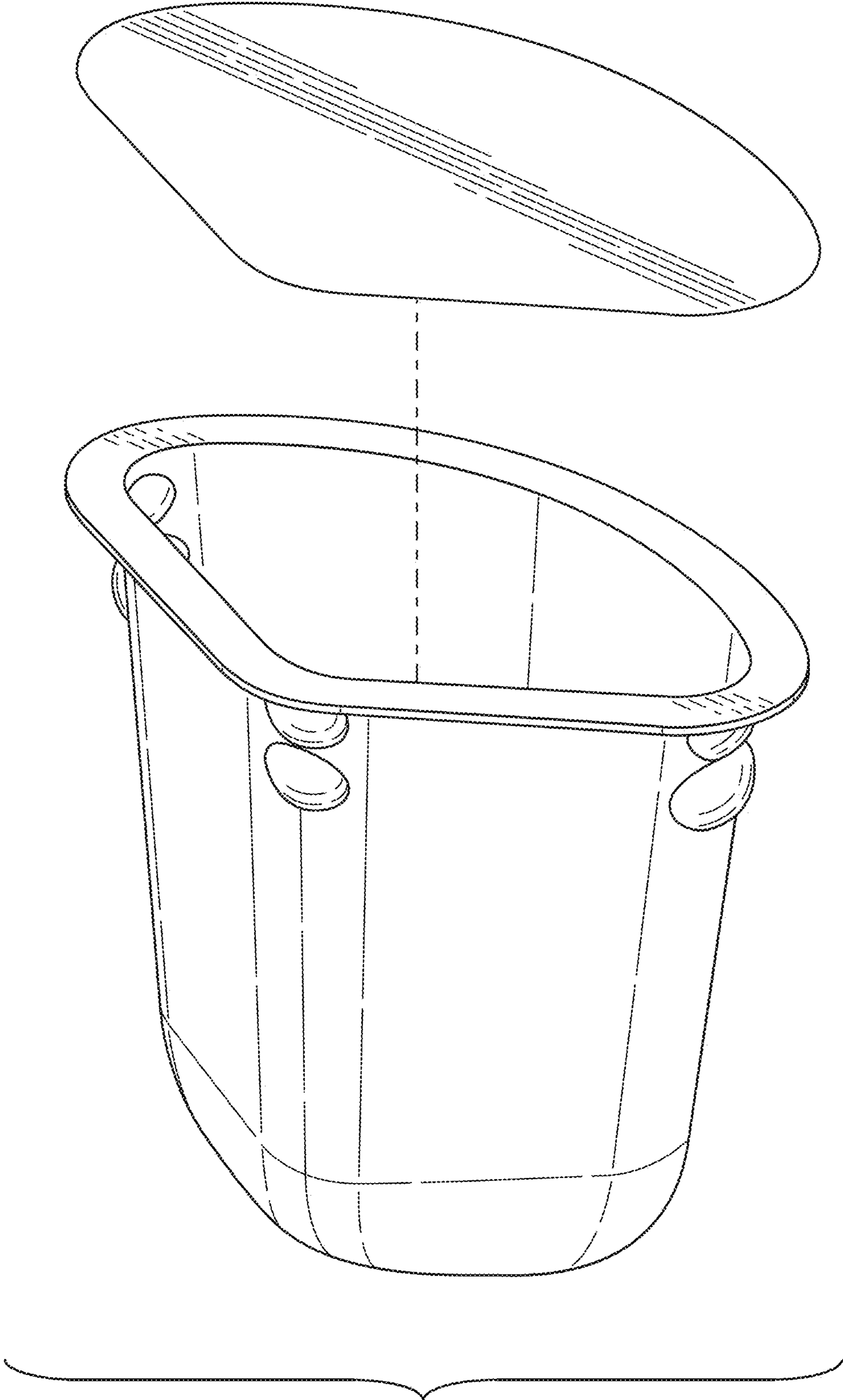


FIG. 9