



US00D977958S

(12) **United States Design Patent**
Huang

(10) **Patent No.:** **US D977,958 S**

(45) **Date of Patent:** **** Feb. 14, 2023**

(54) **SET OF OVER DOOR HANGER HOOKS**

(71) Applicant: **Fanyan Huang**, Fuzhou (CN)

(72) Inventor: **Fanyan Huang**, Fuzhou (CN)

(**) Term: **15 Years**

(21) Appl. No.: **29/855,024**

(22) Filed: **Sep. 29, 2022**

(51) **LOC (14) Cl.** **08-11**

(52) **U.S. Cl.**
USPC **D8/372**

(58) **Field of Classification Search**
USPC D8/367, 354, 349, 373, 356, 372;
D6/323; 248/301-304, 339
CPC . A47G 1/00; A47G 25/00; A47G 1/17; A47G
29/083; F16B 47/003; F16B 2/248; E04H
17/124
See application file for complete search history.

(56) **References Cited**

U.S. PATENT DOCUMENTS

- D305,299 S * 1/1990 Freeman D8/371
- 5,368,267 A * 11/1994 Howard A47G 7/044
248/274.1
- D354,675 S * 1/1995 Bannister D8/367
- D378,050 S * 2/1997 Richeson D8/367
- D422,198 S * 4/2000 Snell D8/367
- 6,199,733 B1 * 3/2001 Reynolds, III A45F 5/02
24/581.1
- D473,455 S * 4/2003 Goodman D8/372
- 7,234,671 B2 * 6/2007 Avinger A01G 5/04
248/339
- D549,565 S * 8/2007 Cox D8/394
- D568,727 S * 5/2008 Walker D8/380
- D583,223 S * 12/2008 Bunn, Sr. D8/371
- D584,939 S * 1/2009 Snell D8/367
- D697,785 S * 1/2014 Davis D8/367
- D708,048 S * 7/2014 Goodman D8/372

- D742,726 S * 11/2015 Glass D8/367
- D746,127 S * 12/2015 Cohen D8/367
- D768,404 S * 10/2016 Klein et al.
- D809,371 S * 2/2018 Forrest D8/372
- D810,547 S * 2/2018 Lynn D8/367
- D810,549 S * 2/2018 Klein
- D842,686 S * 3/2019 Dittrich D8/372
- 10,299,614 B2 * 5/2019 Adams G09F 7/18
- D859,132 S * 9/2019 Abeel D8/367
- D864,698 S * 10/2019 Wilson A45F 5/00
D8/367
- D895,405 S * 9/2020 Boisvert D8/367
- D896,064 S * 9/2020 Boisvert D8/367
- D900,597 S * 11/2020 Lee D8/367
- 11,009,308 B2 * 5/2021 Ochs F41B 5/1453
- 11,076,534 B1 * 8/2021 Kacines A01G 5/04
- D941,128 S * 1/2022 Chiang D8/372
- D944,075 S * 2/2022 Shang D8/367
- 11,248,741 B1 * 2/2022 Parniani A01G 5/04
- D945,867 S * 3/2022 McBride D8/372

(Continued)

Primary Examiner — Cynthia R Underwood

(74) *Attorney, Agent, or Firm* — ScienBiziP, P.C.

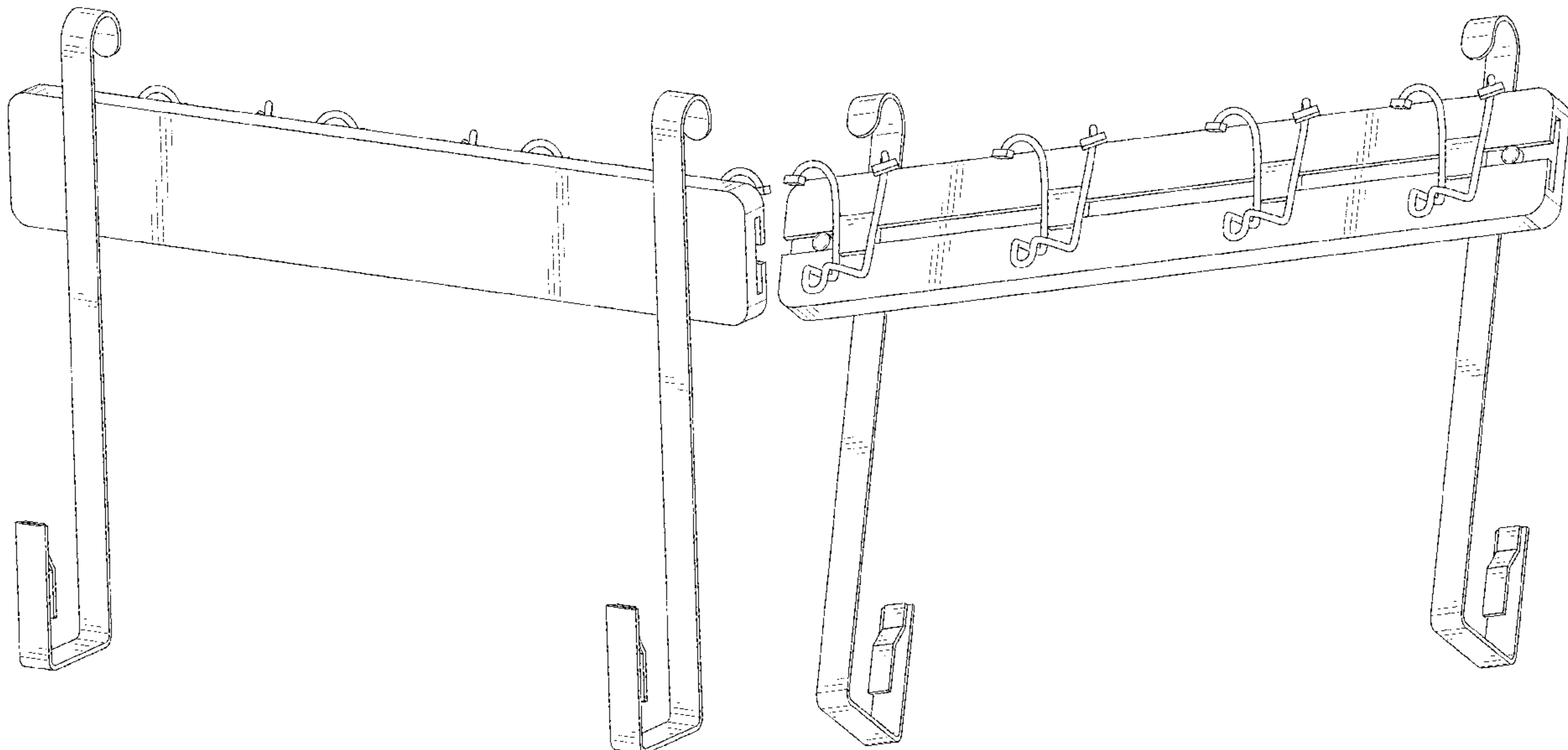
(57) **CLAIM**

The ornamental design for a set of over door hanger hooks, as shown and described.

DESCRIPTION

FIG. 1 is a front, right and top perspective view of the set of over door hanger hooks, showing my design.
 FIG. 2 is a rear, left and bottom perspective view thereof.
 FIG. 3 is a front elevation view thereof.
 FIG. 4 is a rear elevation view thereof.
 FIG. 5 is a left side elevation view thereof.
 FIG. 6 is a right side elevation view thereof.
 FIG. 7 is a top plan view thereof; and,
 FIG. 8 is a bottom plan view thereof.
 The broken lines depict portions of the set of over door hanger hooks that form no part of the claimed design.

1 Claim, 8 Drawing Sheets



(56)

References Cited

U.S. PATENT DOCUMENTS

D954,545 S *	6/2022	Chiang	D8/372
D957,163 S *	7/2022	Zhi	D8/372
D960,692 S *	8/2022	Giloley	D8/367
D965,418 S *	10/2022	Xue	D8/372
2011/0253757 A1 *	10/2011	May, Jr.	A45F 3/08 224/268

* cited by examiner

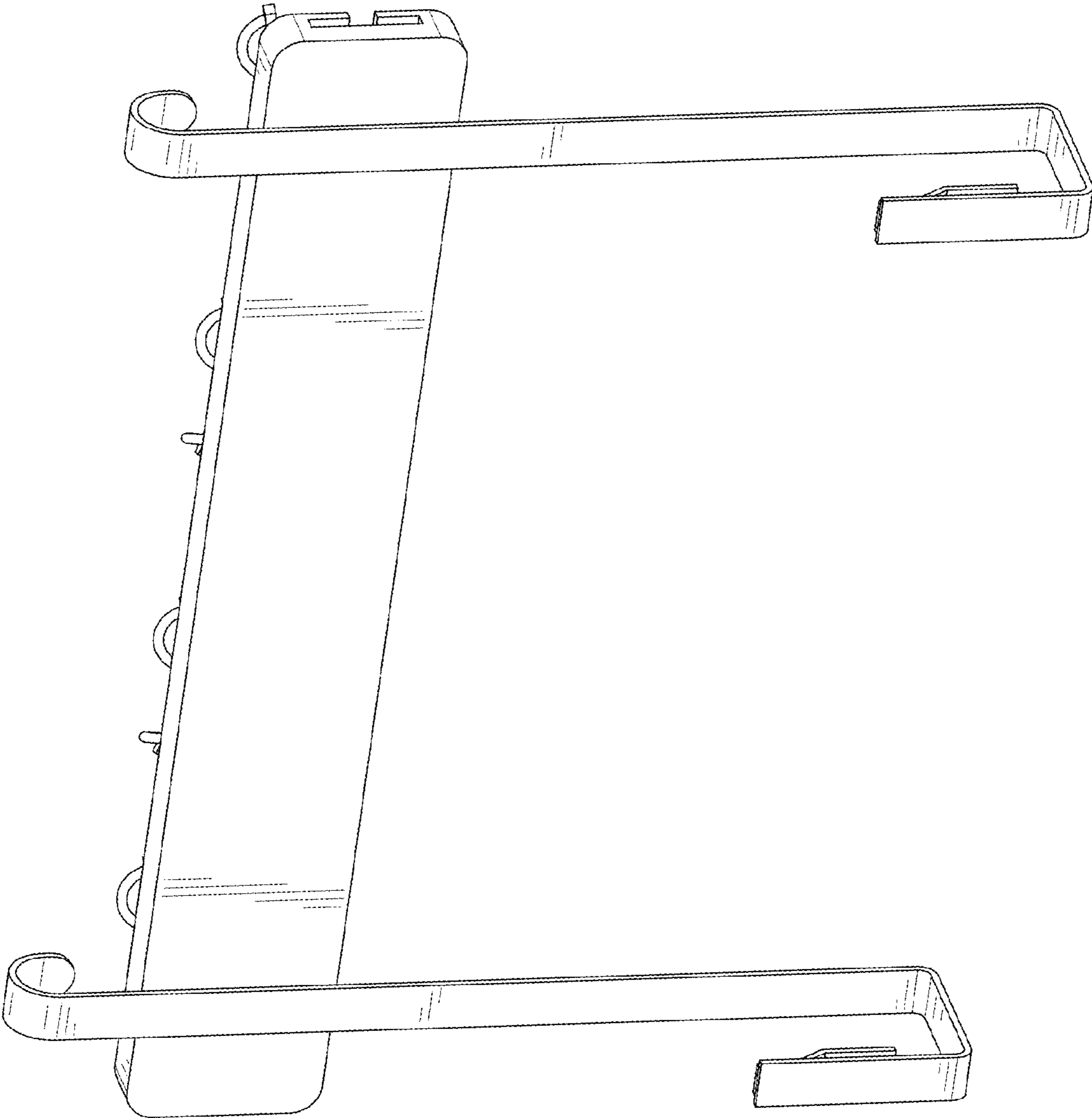


FIG. 1

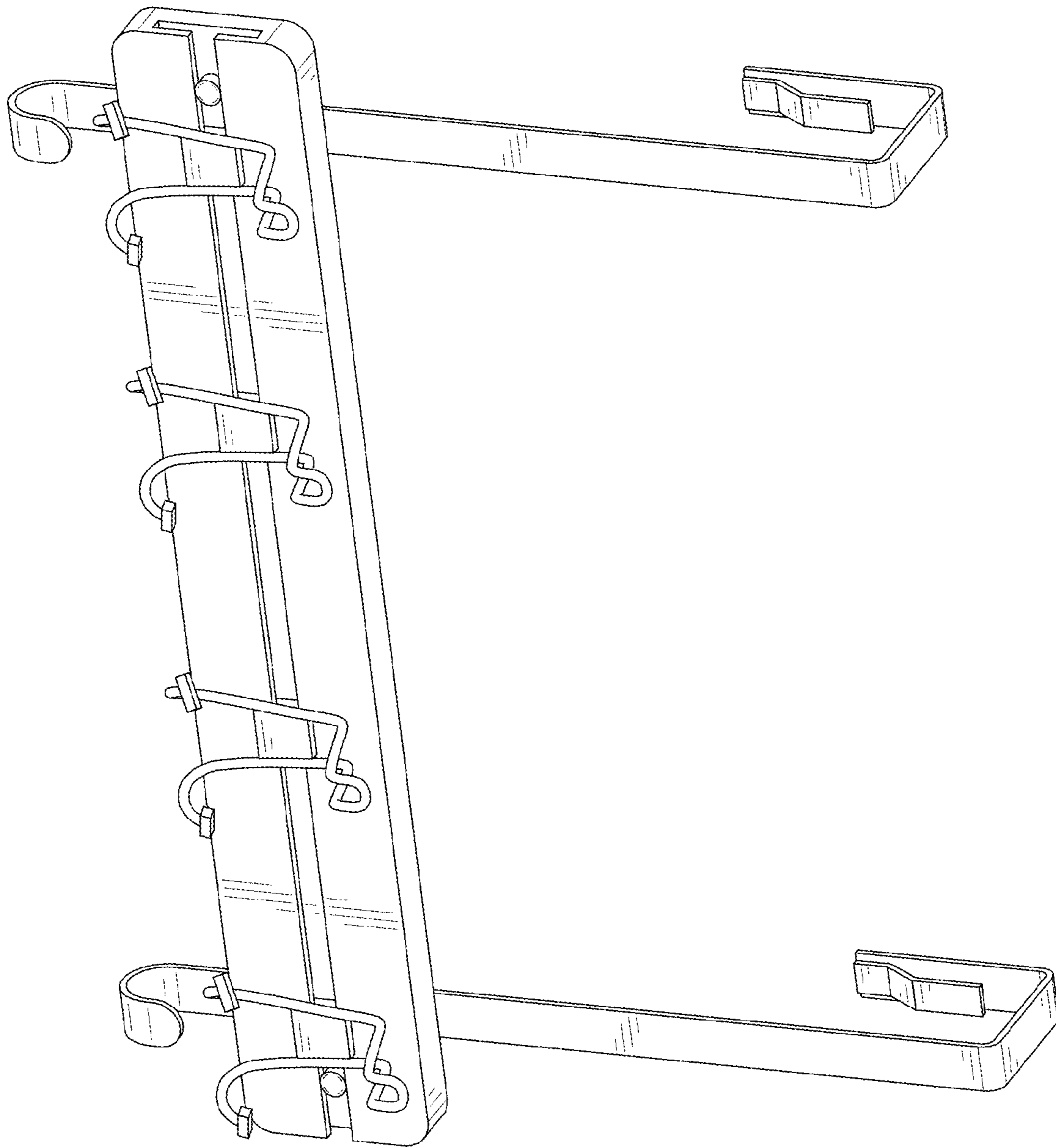


FIG. 2

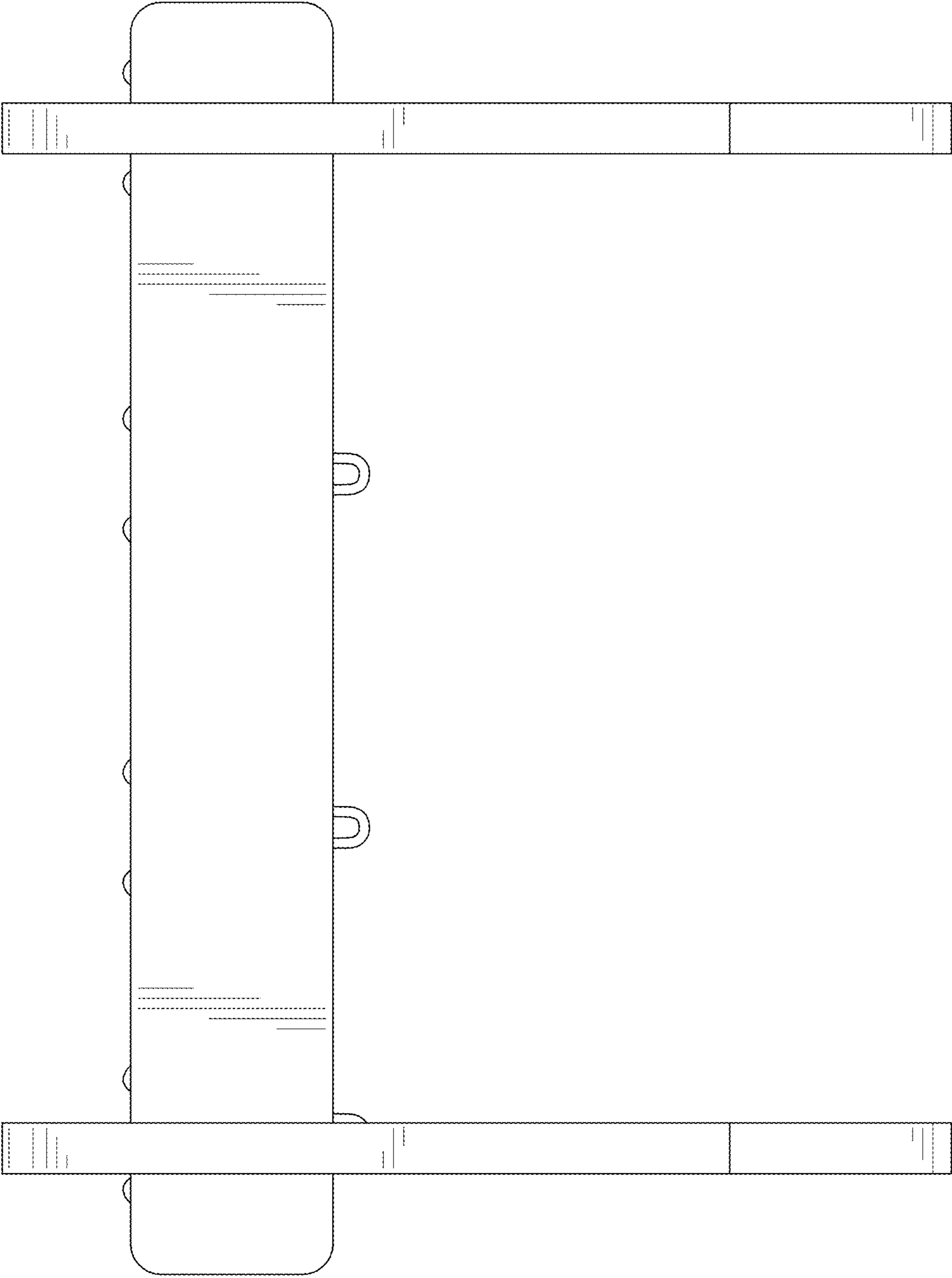


FIG. 3

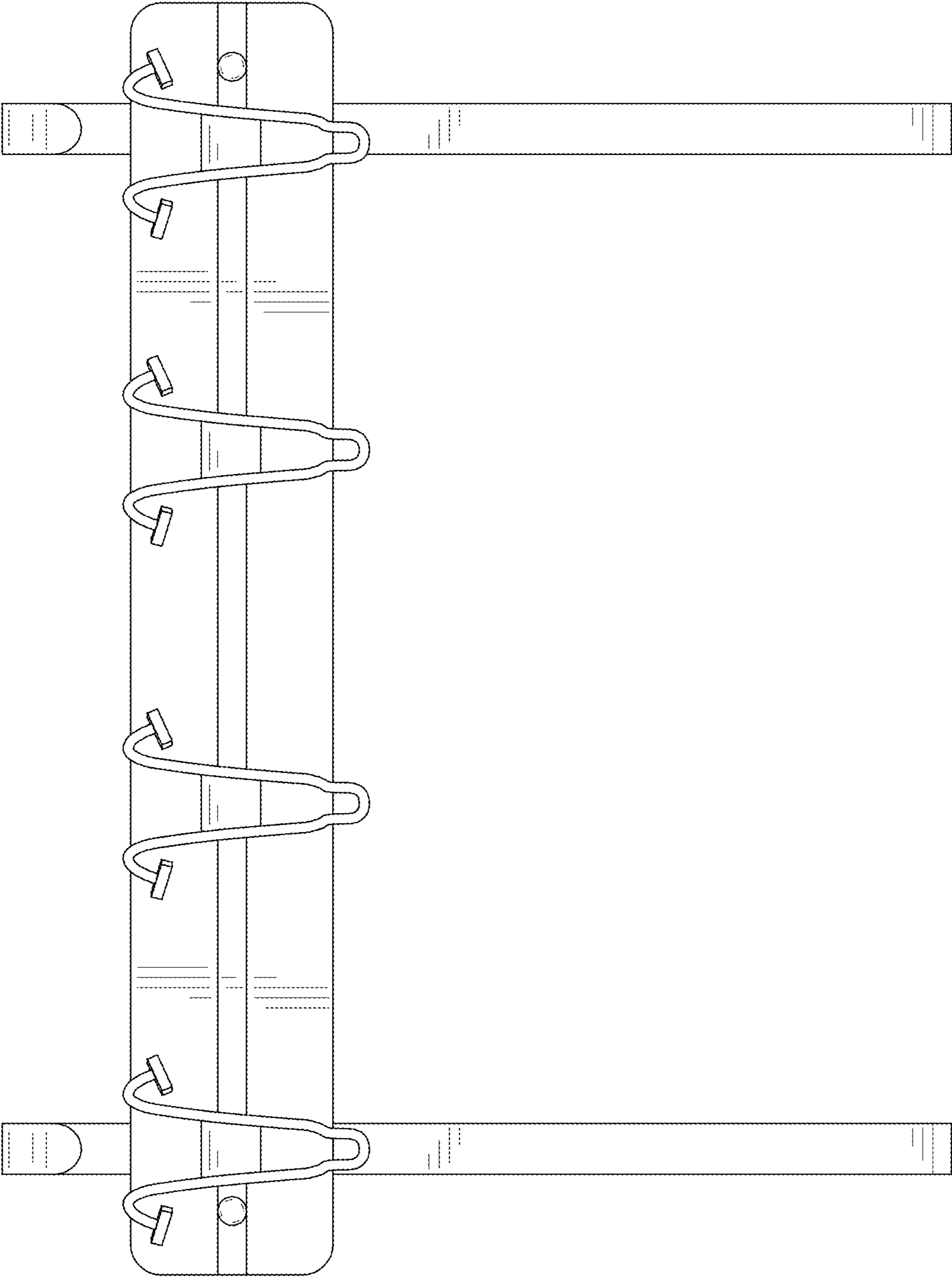


FIG. 4

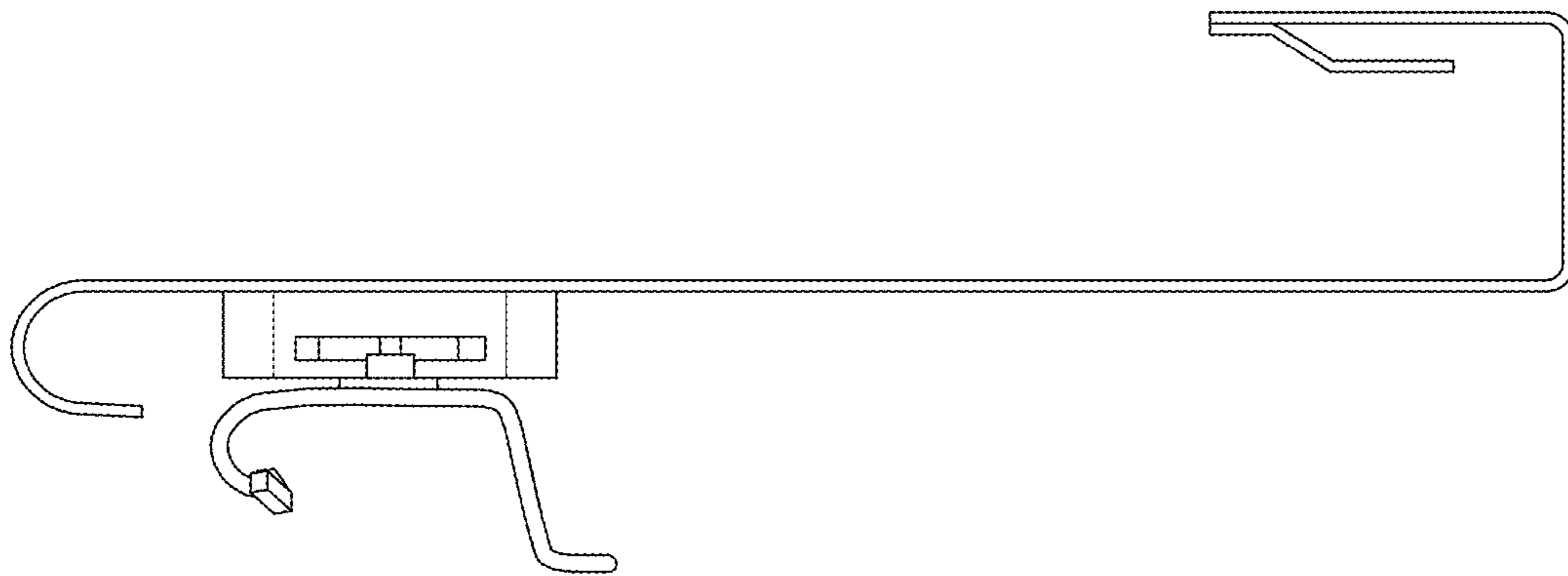


FIG. 5

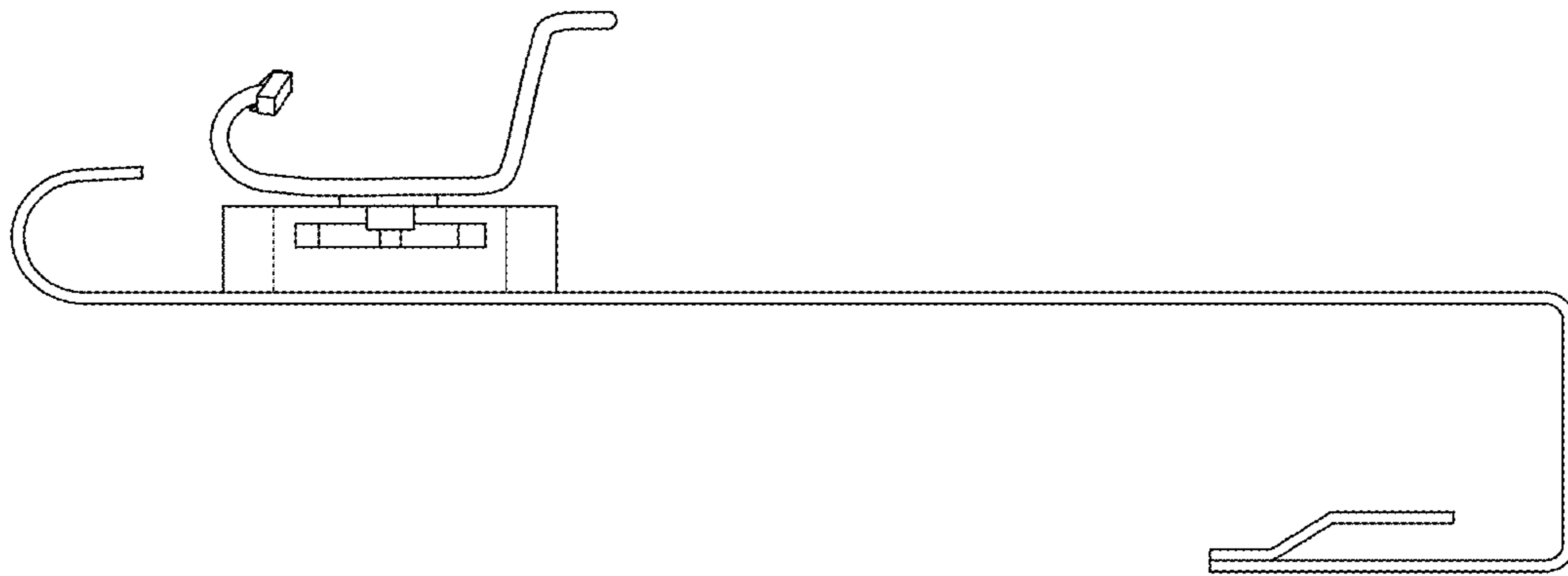


FIG. 6

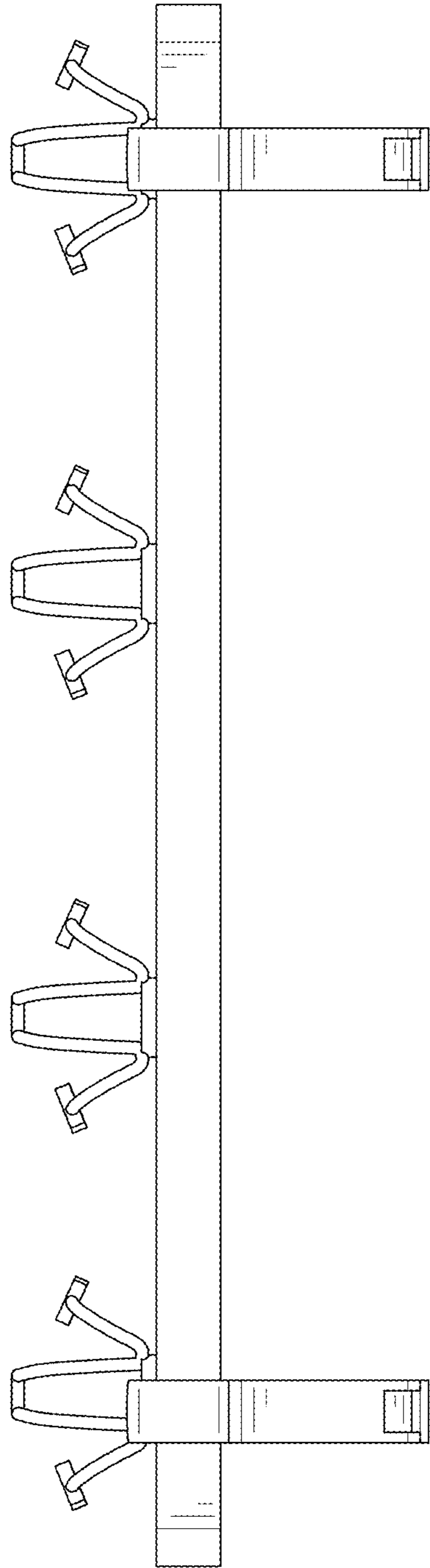


FIG. 7

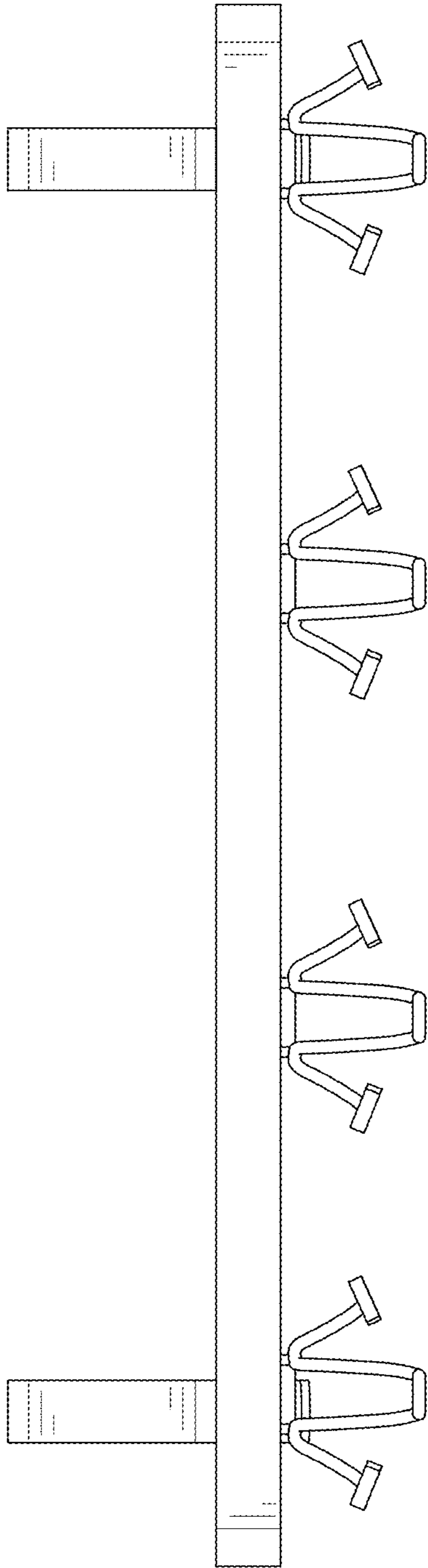


FIG. 8