



US00D977956S

(12) **United States Design Patent**
Davis et al.

(10) **Patent No.:** **US D977,956 S**
(45) **Date of Patent:** **** Feb. 14, 2023**

- (54) **HANGING HOOK**
- (71) Applicant: **Silicate Studio Home, LLC**, Rexburg, ID (US)
- (72) Inventors: **Steve Davis**, Rexburg, ID (US); **Kevin Anderson**, Rexburg, ID (US)
- (73) Assignee: **Silicate Studio Home, LLC**, Rexburg, ID (US)

(**) Term: **15 Years**

(21) Appl. No.: **29/781,982**

(22) Filed: **May 3, 2021**

- (51) **LOC (14) Cl.** **08-11**
- (52) **U.S. Cl.**
USPC **D8/367**
- (58) **Field of Classification Search**
USPC D8/367, 349, 354, 371, 372; D3/293;
D11/208, 210; D21/304; D6/320, 323,
D6/540, 545, 327, 556
CPC A45C 13/03; A47G 25/0607; A47G 25/32;
A47G 1/20; A47G 29/083; A47G 29/08;
F16B 45/00; B25H 1/0057; A47F 5/0006
See application file for complete search history.

(56) **References Cited**
U.S. PATENT DOCUMENTS

D119,843 S *	4/1940	Anstice	D8/367
4,340,998 A *	7/1982	Liberge	F16G 11/103 24/130
D281,575 S *	12/1985	Chap	D8/367
D317,115 S *	5/1991	Gary	D8/367

D389,728 S *	1/1998	Fitzwater	D8/367
D411,436 S *	6/1999	Krehel	D8/367
D458,831 S *	6/2002	Selby	D8/367
D492,891 S *	7/2004	Nilsson	D8/371
D493,698 S *	8/2004	Goodman	D8/367
D694,613 S *	12/2013	Miles	D8/367
D756,756 S *	5/2016	Kuehn	D8/367
D798,695 S *	10/2017	Davison	D8/367
D946,289 S *	3/2022	Taylor	D6/323
D957,920 S *	7/2022	Bredl	D8/367

* cited by examiner

Primary Examiner — Calvin E Vansant
Assistant Examiner — Benjamin Lucas Gray
 (74) *Attorney, Agent, or Firm* — Thorpe, North & Western, LLP

(57) **CLAIM**

The ornamental design for a hanging hook, as shown.

DESCRIPTION

This is related to U.S. Design patent applications Ser. No. 29/781,969, and entitled "Wall Hook", and Ser. No. 29/781,974, and entitled "Dual Wall Hook".

FIG. 1 is a perspective view of the hanging hook in accordance with our invention;

FIG. 2 is a right side elevation view thereof, a left side elevation view being a mirror image thereof;

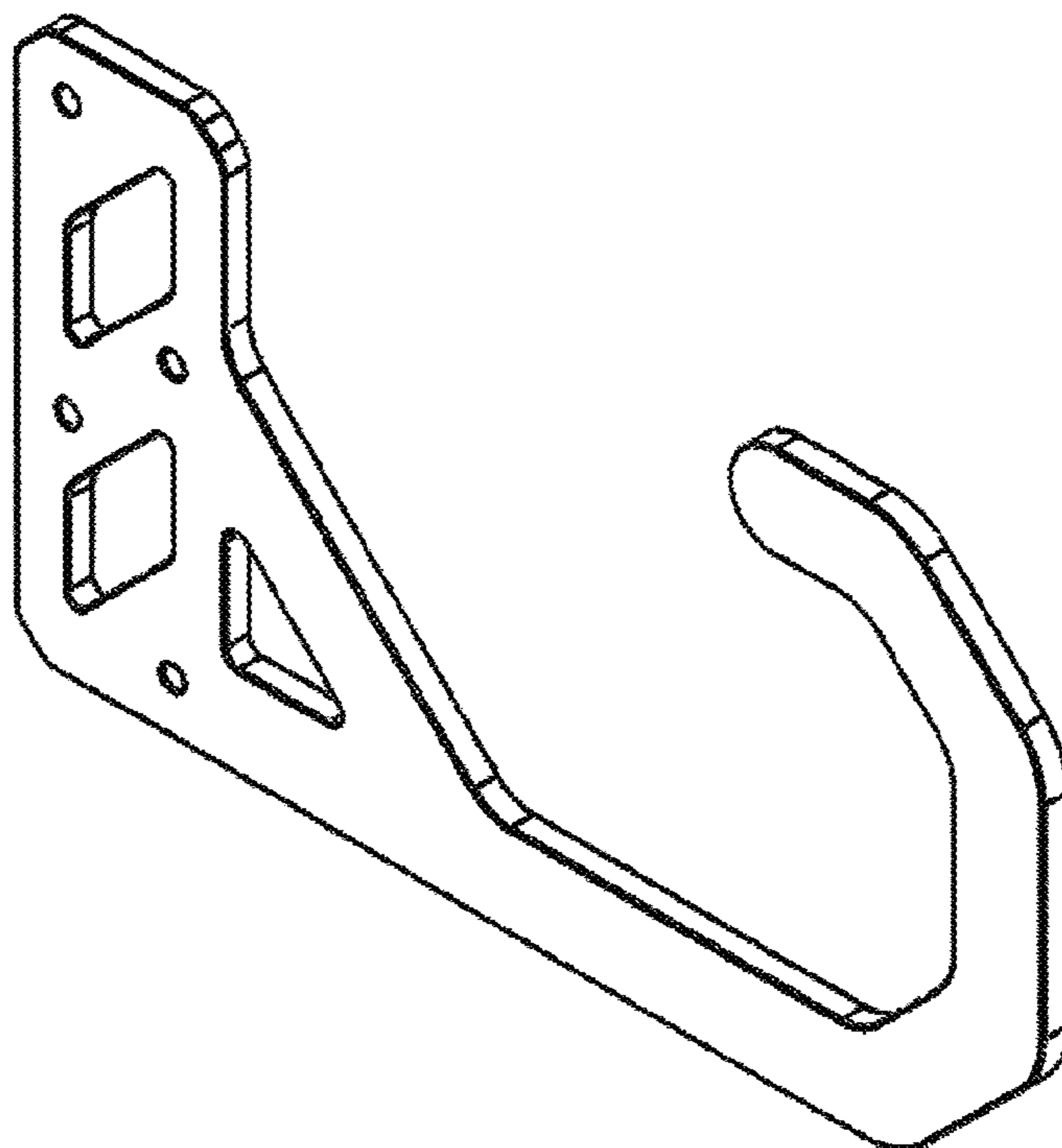
FIG. 3 is a top end view thereof;

FIG. 4 is a bottom end view thereof;

FIG. 5 is a rear elevation view thereof; and,

FIG. 6 is a front elevation view thereof.

1 Claim, 2 Drawing Sheets



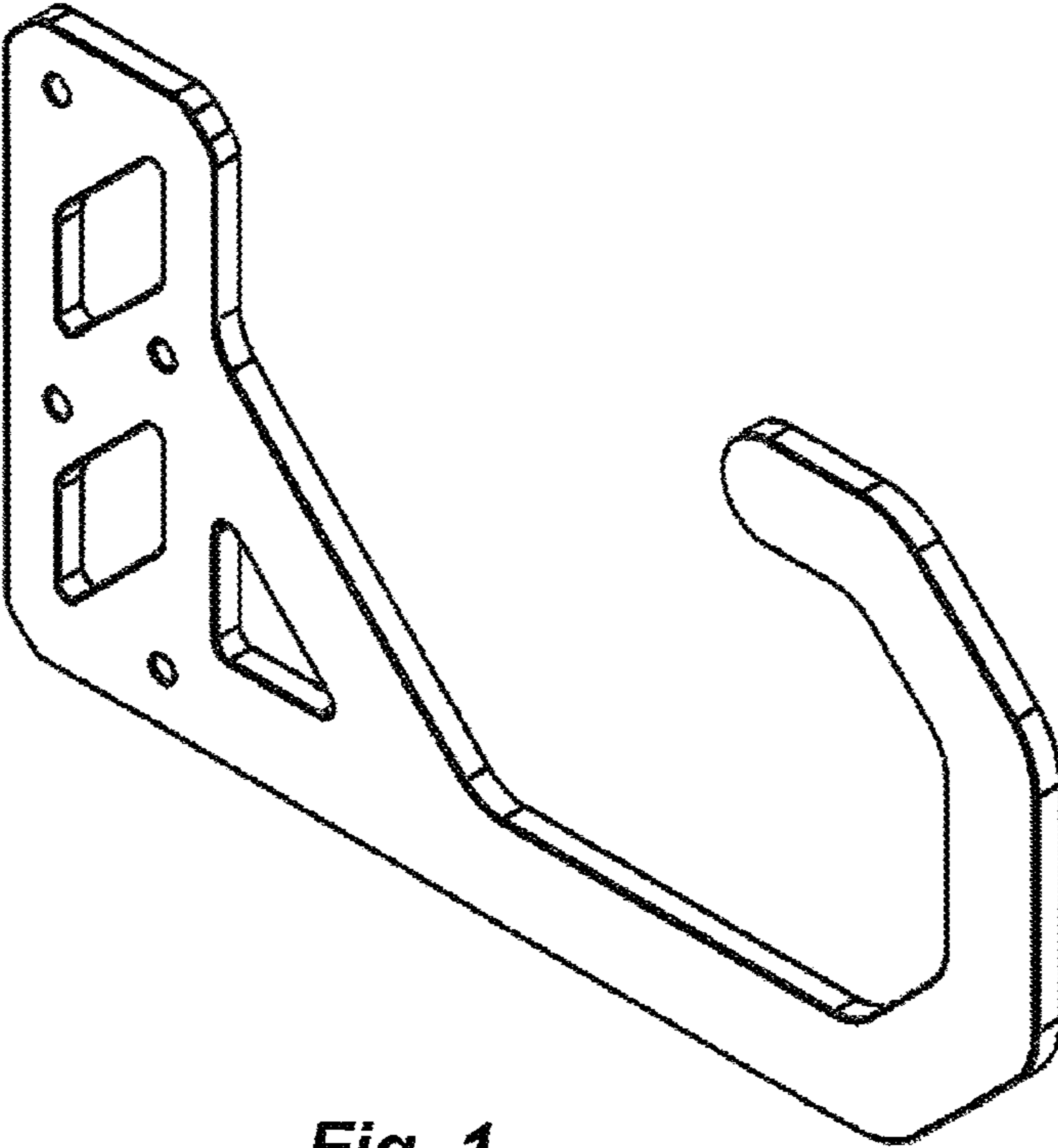


Fig. 1



Fig. 3

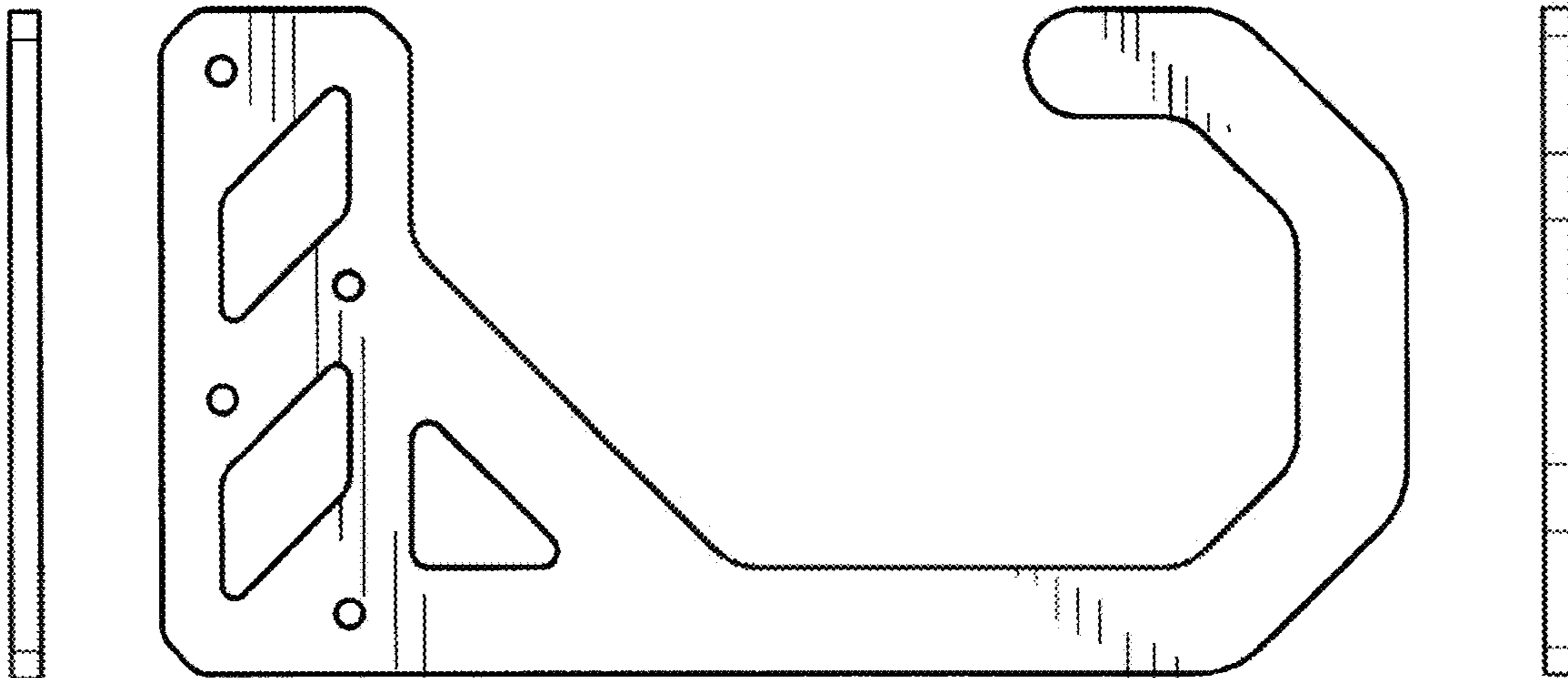


Fig. 5

Fig. 2

Fig. 6



Fig. 4