



US00D977955S

(12) **United States Design Patent** (10) **Patent No.:** **US D977,955 S**
Davis et al. (45) **Date of Patent:** **** Feb. 14, 2023**

(54) **DUAL WALL HOOK**
(71) Applicant: **Silicate Studio Home, LLC**, Rexburg, ID (US)
(72) Inventors: **Steve Davis**, Rexburg, ID (US); **Kevin Anderson**, Rexburg, ID (US)
(73) Assignee: **Silicate Studio Home, LLC**, Rexburg, ID (US)
(**) Term: **15 Years**
(21) Appl. No.: **29/781,974**
(22) Filed: **May 3, 2021**
(51) **LOC (14) Cl.** **08-11**
(52) **U.S. Cl.**
USPC **D8/367**
(58) **Field of Classification Search**
USPC D8/367, 349, 354, 371, 372; D3/293; D11/208, 210; D21/304; D6/320, 323, D6/540, 545, 327, 556
CPC A45C 13/03; A47G 25/0607; A47G 25/32; A47G 1/20; A47G 29/083; A47G 29/08; F16B 45/00; B25H 1/0057; A47F 5/0006
See application file for complete search history.

D644,087 S * 8/2011 Gallaty D8/354
D644,088 S * 8/2011 Gallaty D8/354
D698,629 S * 2/2014 Hansen D8/370
D879,590 S * 3/2020 Jaramillo D8/354
2007/0108357 A1* 5/2007 Plowman F16B 45/00
248/304

* cited by examiner

Primary Examiner — Calvin E Vansant
Assistant Examiner — Benjamin Lucas Gray
(74) *Attorney, Agent, or Firm* — Thorpe, North & Western, LLP

(57) **CLAIM**

The ornamental design for a dual wall hook, as shown.

DESCRIPTION

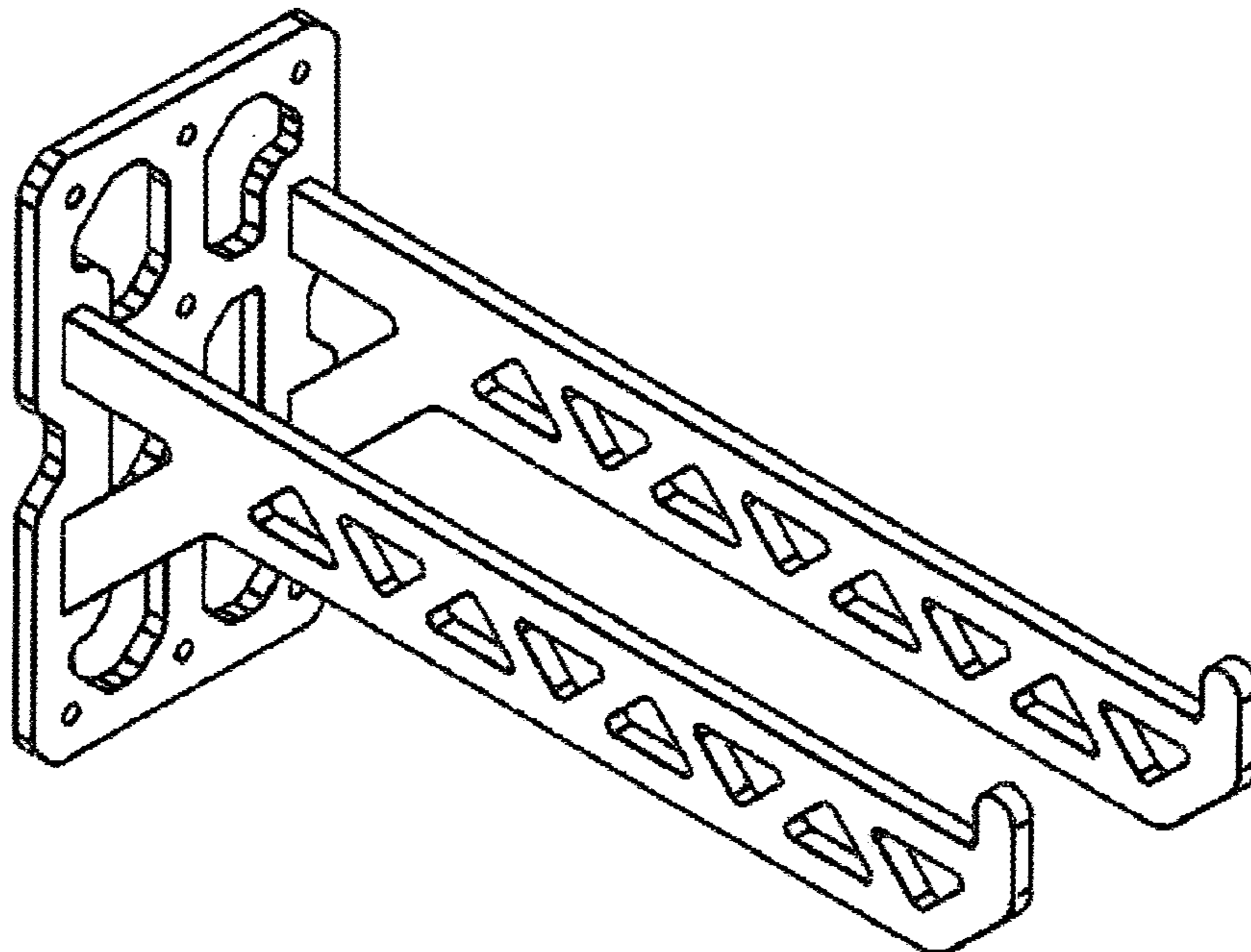
This is related to U.S. Design patent application filed May 3, 2021, as Ser. No. 29/781,969, and entitled “Wall Hook”, and Ser. No. 29/781,982, and entitled “Hanging Hook”.
FIG. 1 is a perspective view of the dual wall hook showing a first embodiment in accordance with our invention;
FIG. 2 is a right side elevation view thereof, a left side elevation view being a mirror image thereof;
FIG. 3 is a top end view thereof;
FIG. 4 is a bottom end view thereof;
FIG. 5 is a front elevation view thereof; and
FIG. 6 is a rear elevation view thereof.
FIG. 7 is a perspective view of the wall hook showing a second embodiment in accordance with our invention;
FIG. 8 is a right side elevation view thereof, a left side elevation view being a mirror image thereof;
FIG. 9 is a top end view thereof;
FIG. 10 is a bottom end view thereof;
FIG. 11 is a front elevation view thereof; and,
FIG. 12 is a rear elevation view thereof.

1 Claim, 6 Drawing Sheets

(56) **References Cited**

U.S. PATENT DOCUMENTS

D214,383 S * 6/1969 Johnson D8/371
D228,852 S * 10/1973 Vogelbuber D8/371
D312,385 S * 11/1990 Hamann D8/367
D417,353 S * 12/1999 Laga D6/552
D424,413 S * 5/2000 Laga D8/372
D497,306 S * 10/2004 Anderson D8/372
D558,034 S * 12/2007 Ernst D8/372
D625,525 S * 10/2010 Morris D6/320



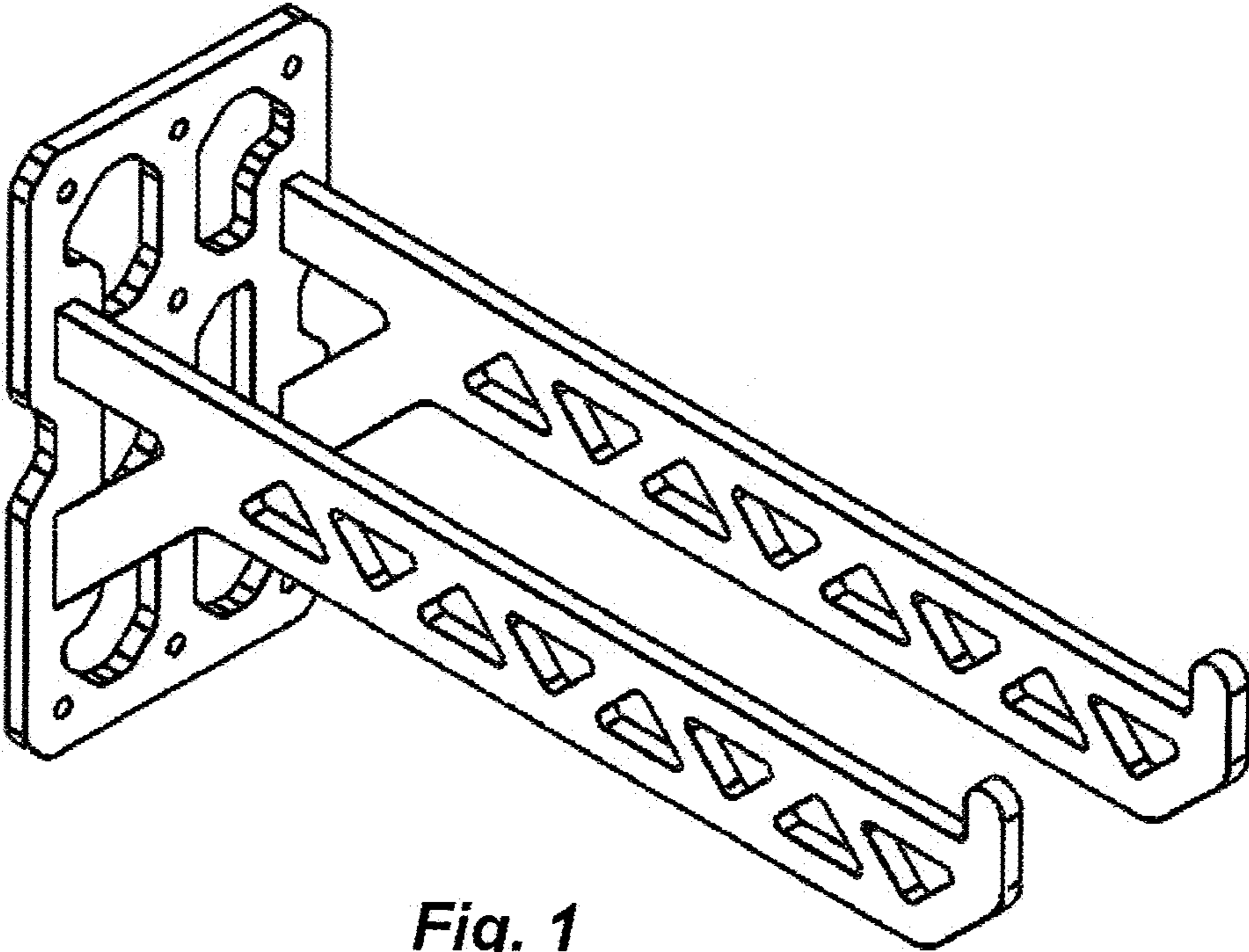


Fig. 1

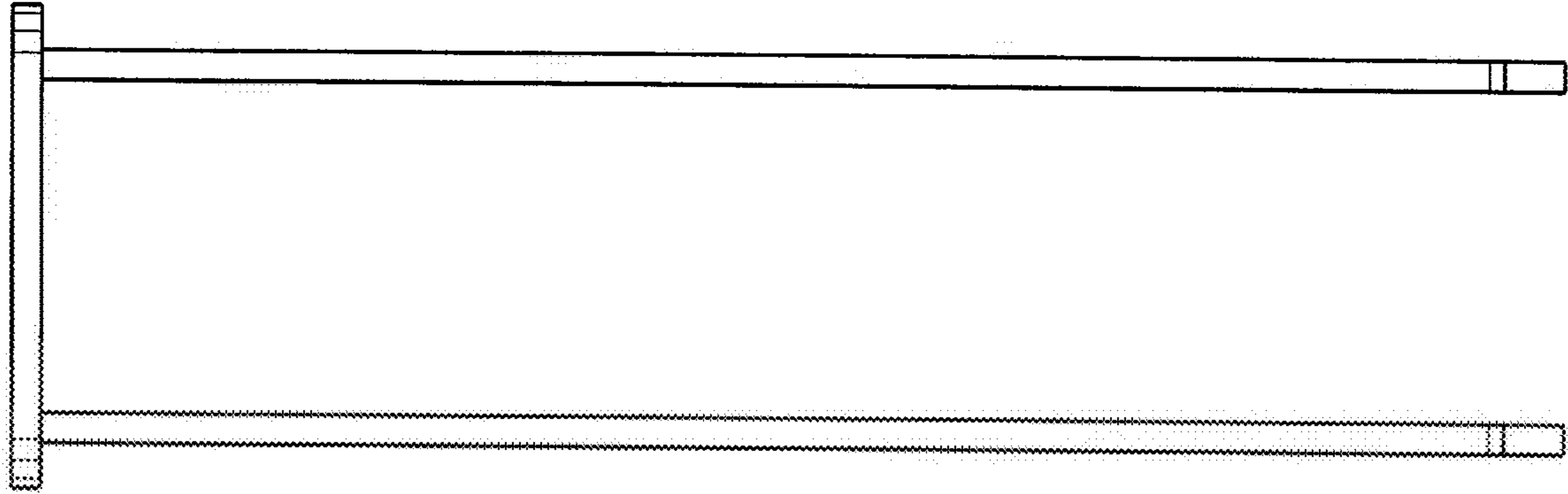


Fig. 3

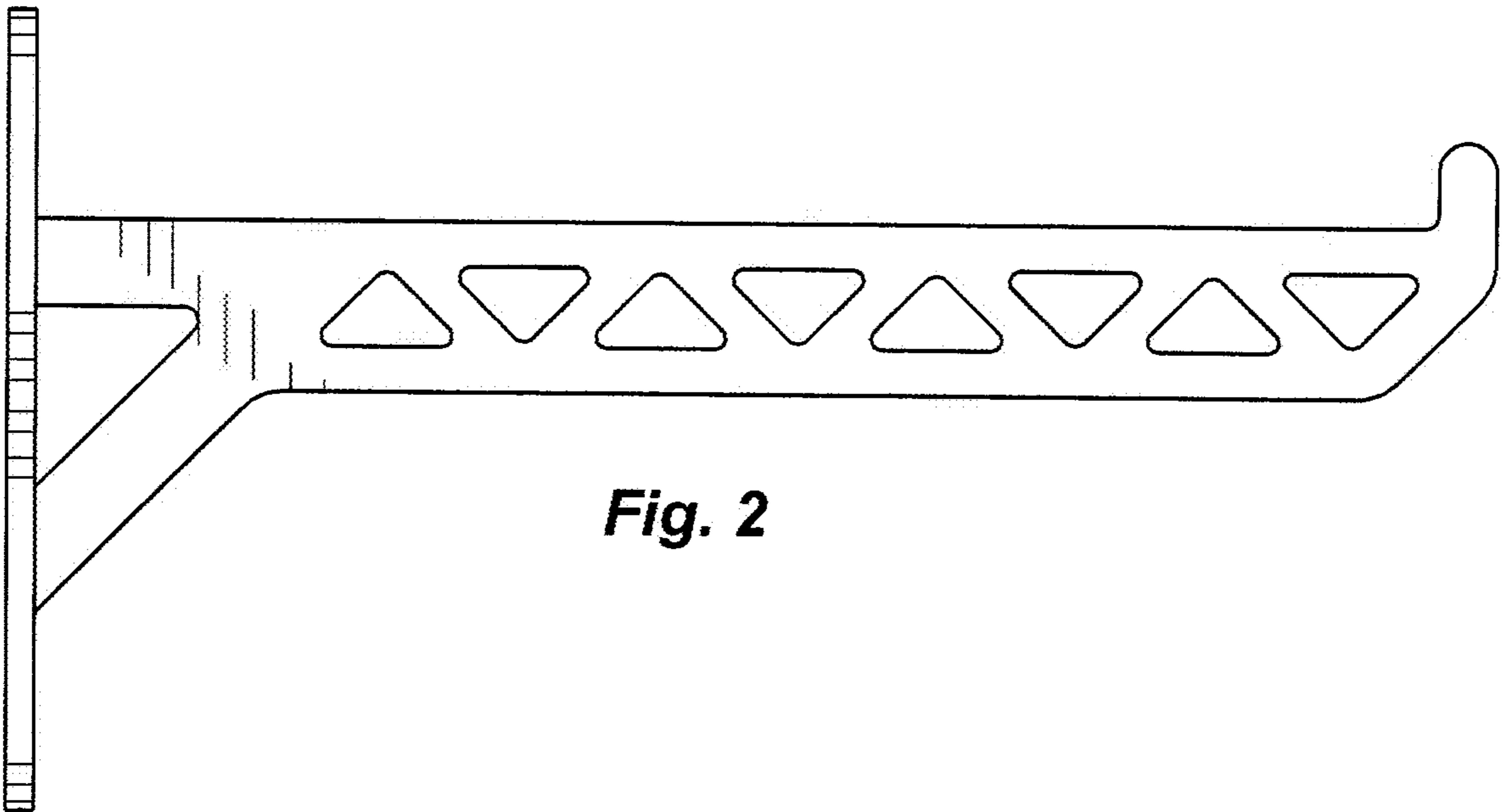


Fig. 2

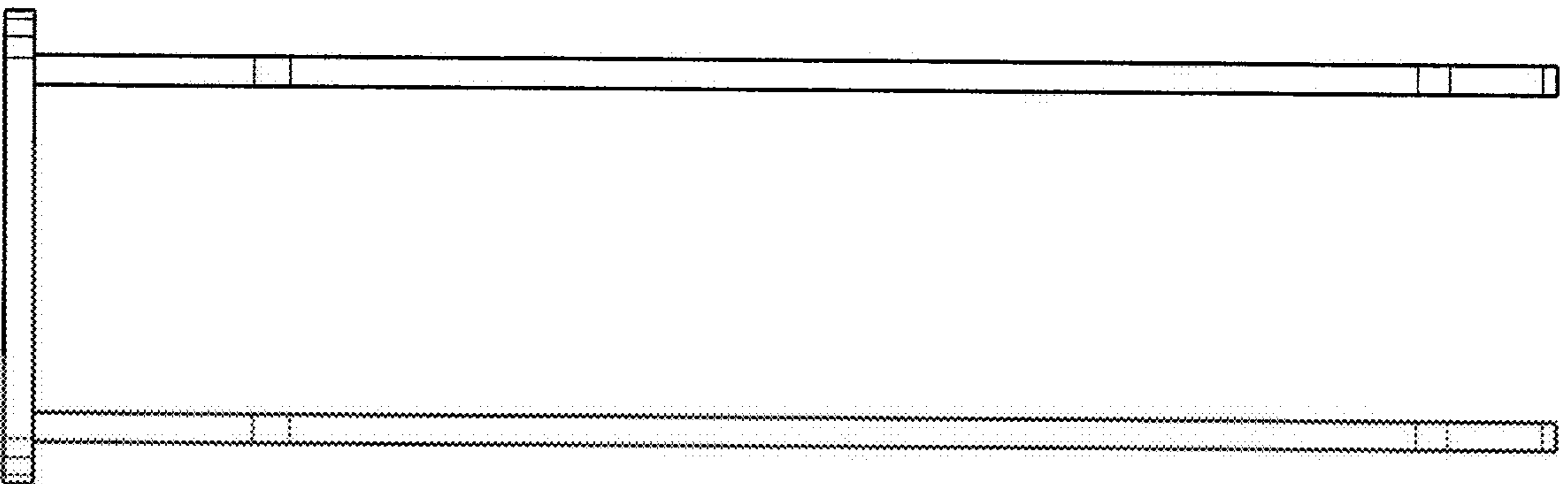


Fig. 4

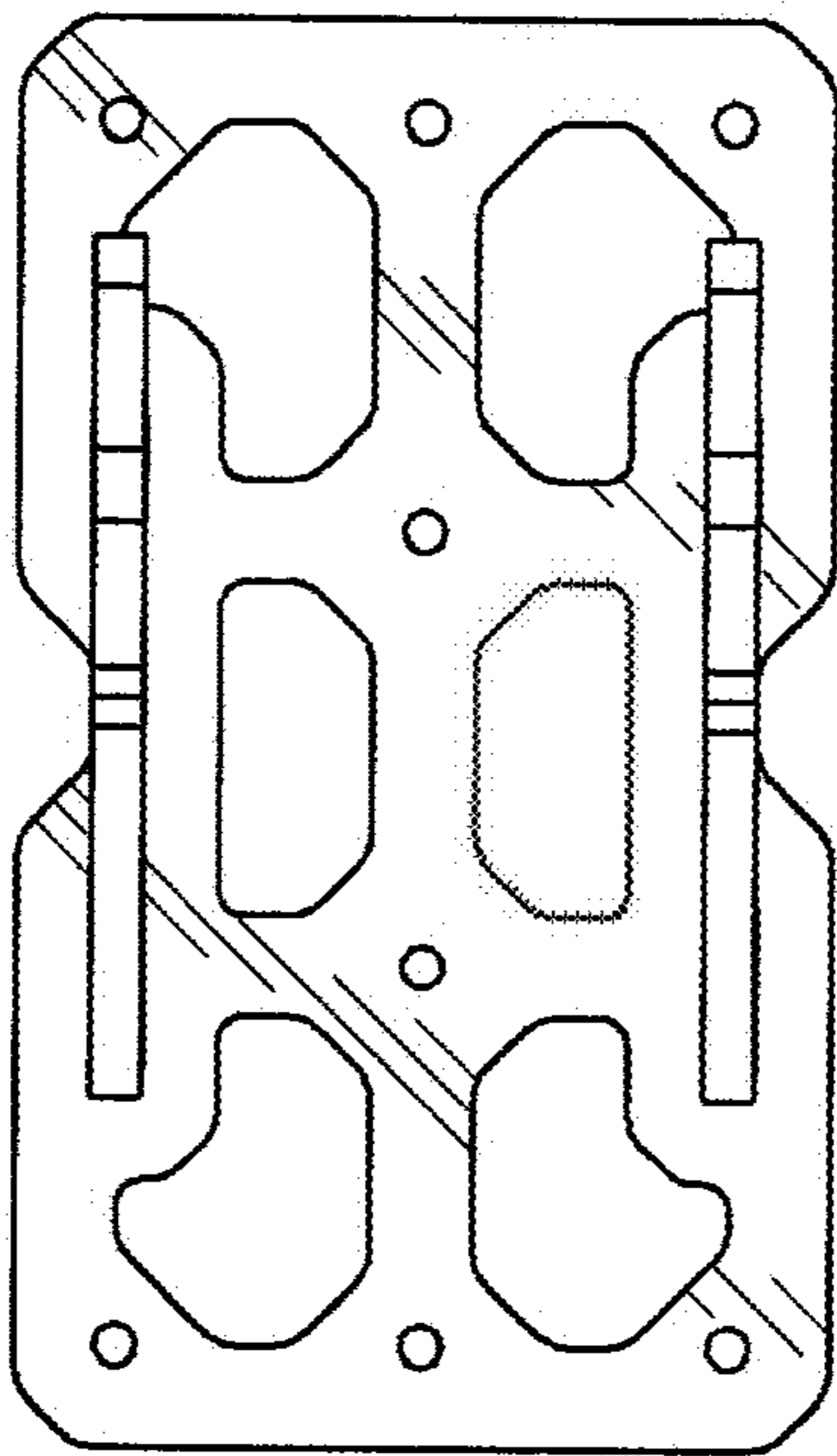


Fig. 5

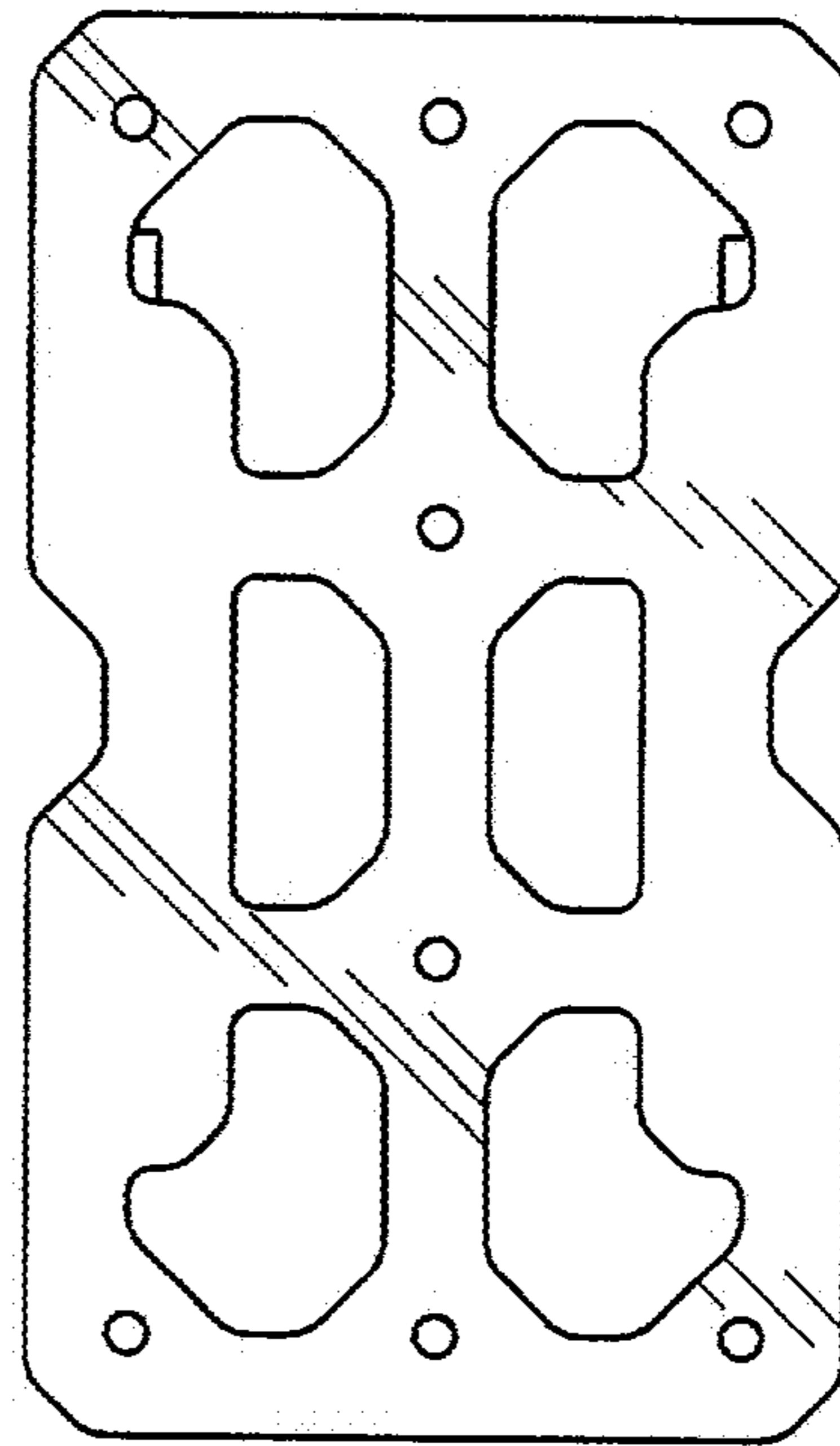


Fig. 6

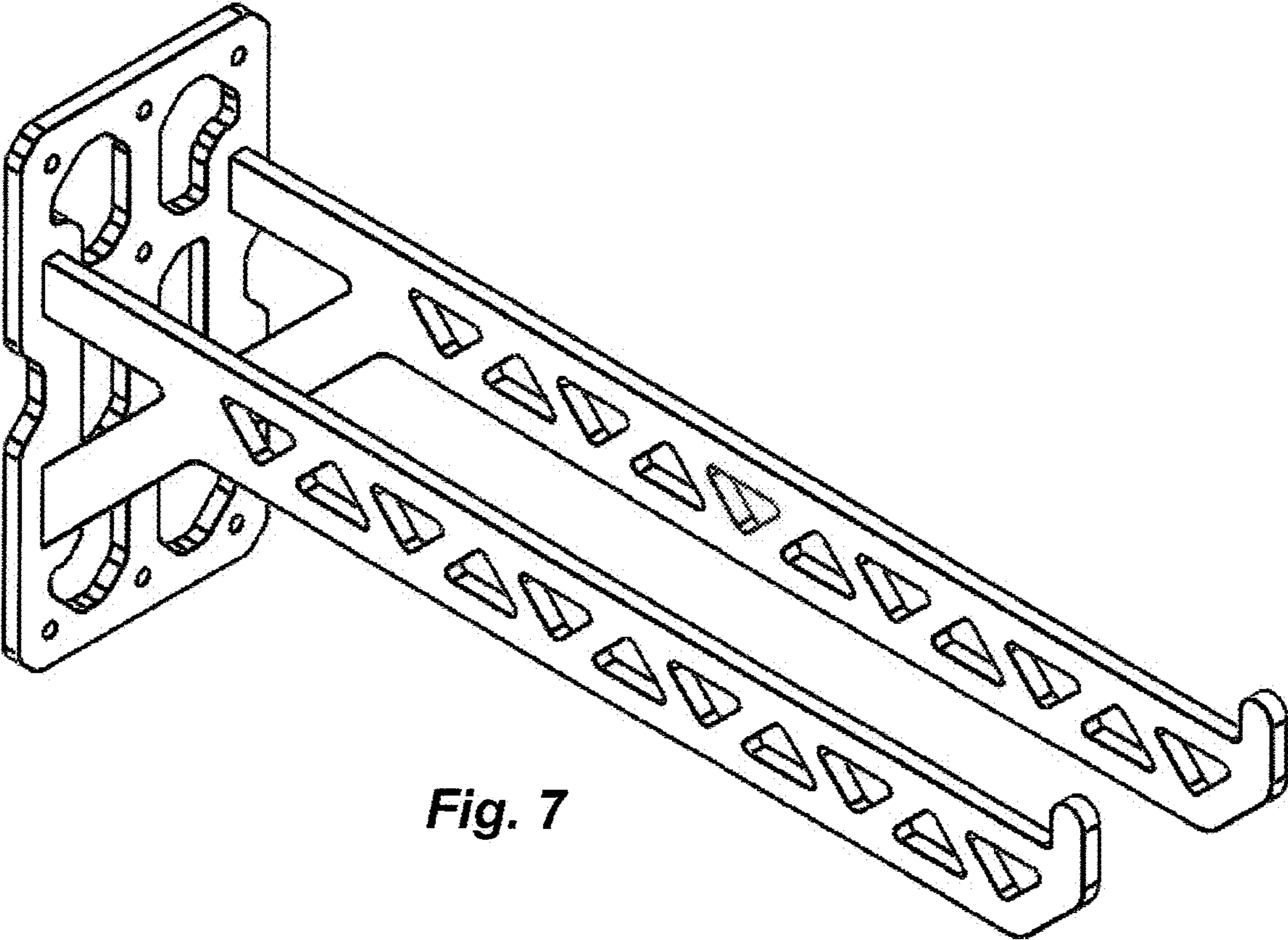


Fig. 7

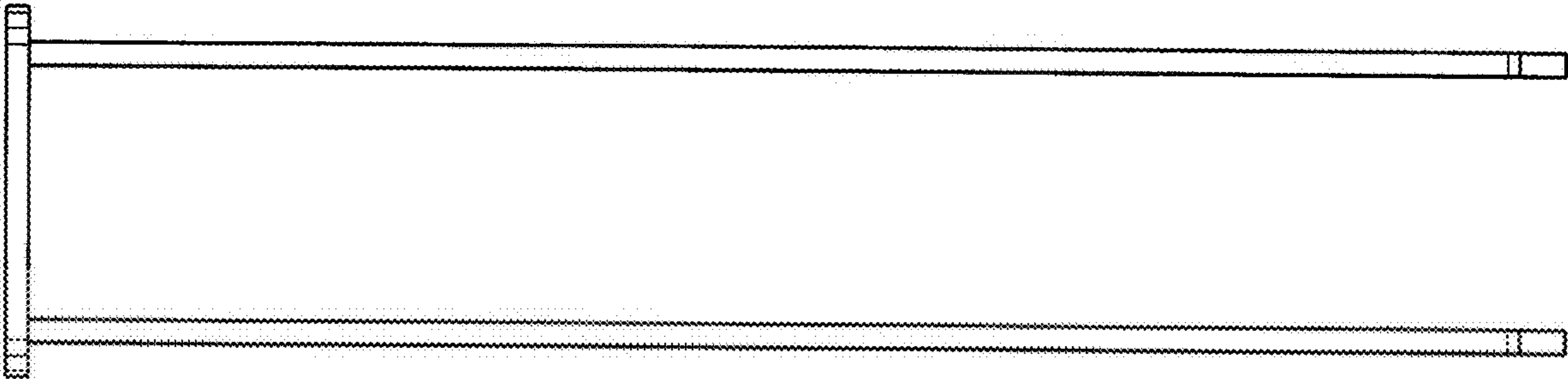


Fig. 9

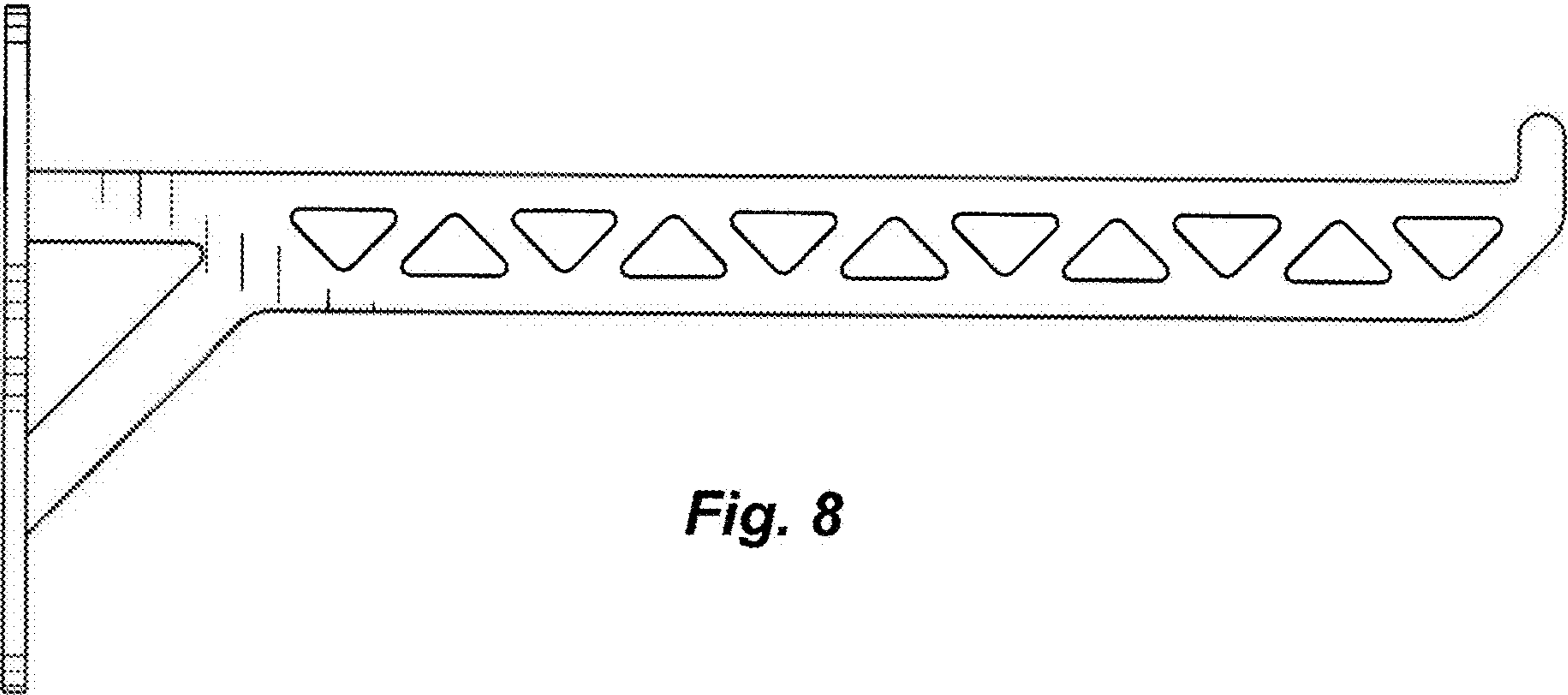


Fig. 8

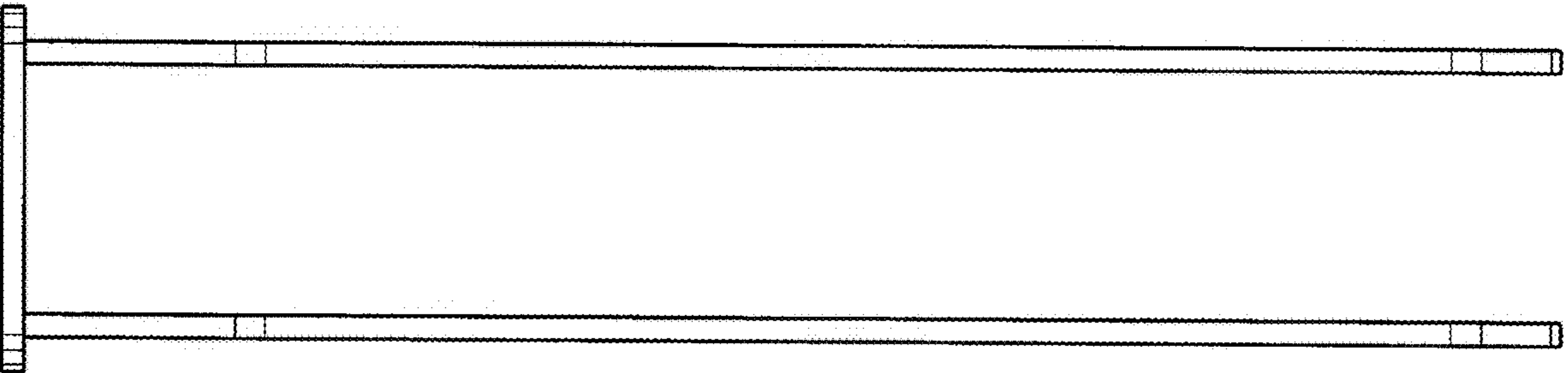


Fig. 10

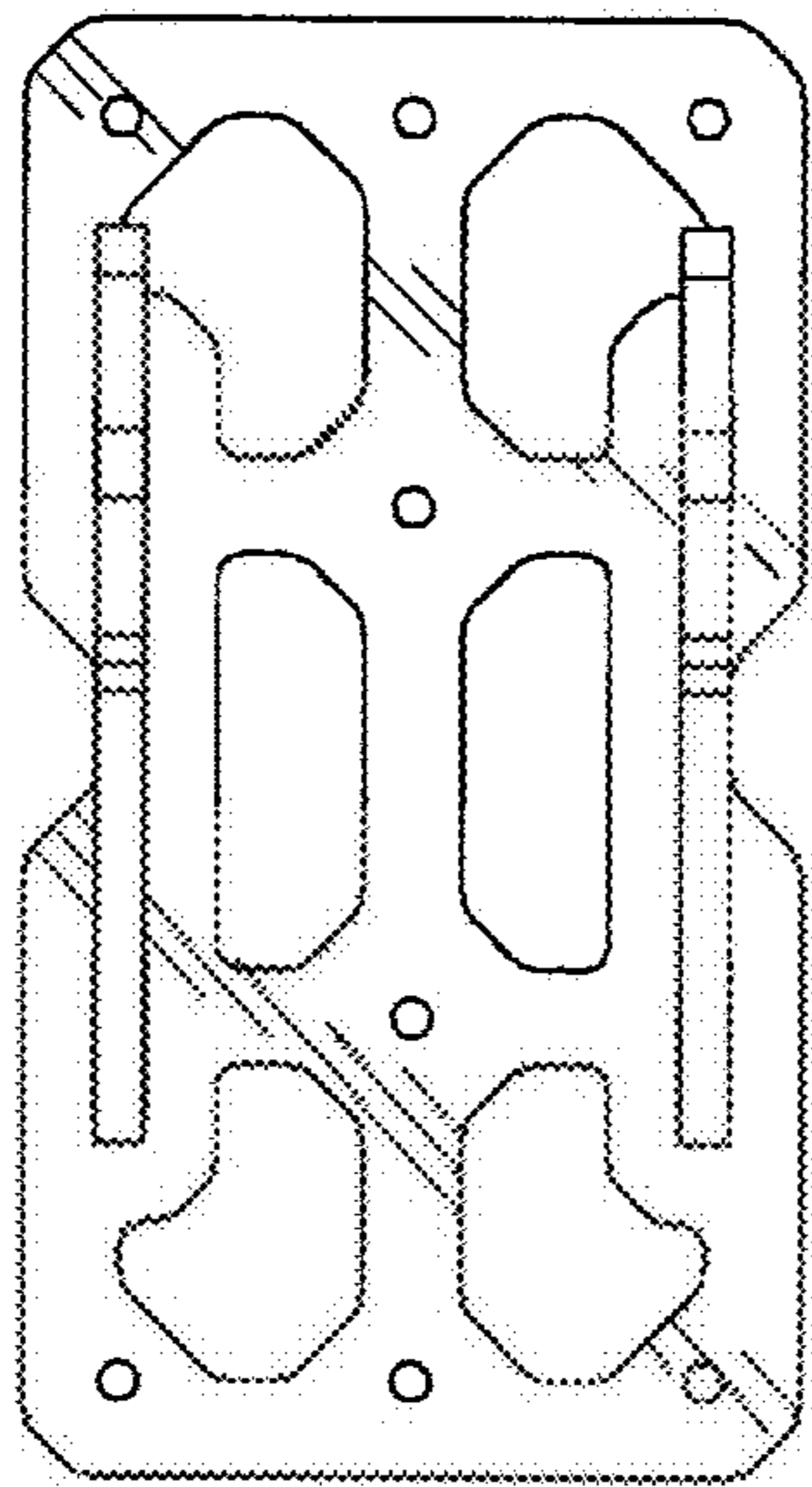


Fig. 11

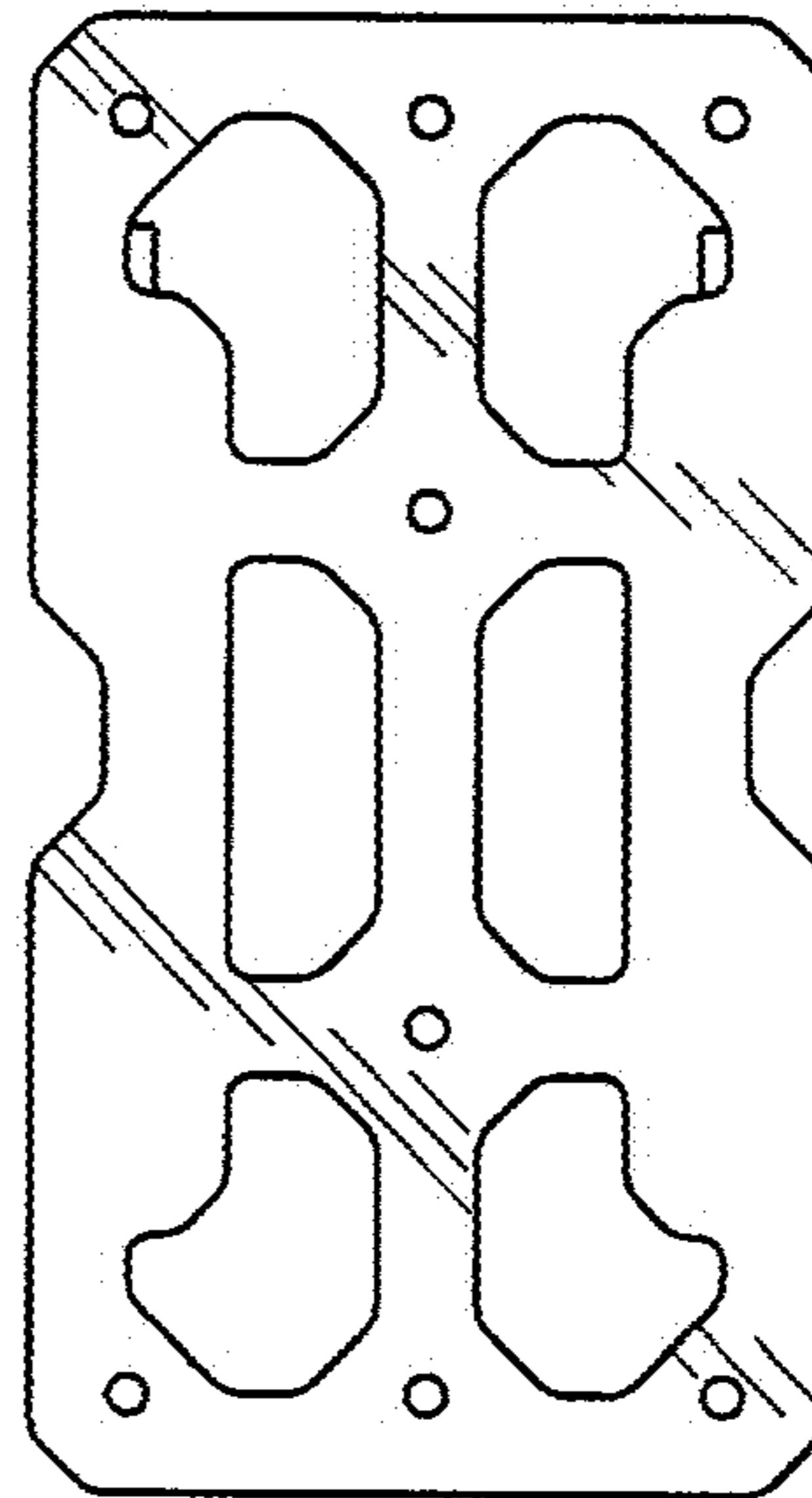


Fig. 12