



US00D977954S

(12) **United States Design Patent** (10) **Patent No.:** **US D977,954 S**
Davis et al. (45) **Date of Patent:** **** Feb. 14, 2023**

(54) **WALL HOOK**

(71) Applicant: **Silicate Studio Home, LLC**, Rexburg, ID (US)

(72) Inventors: **Steve Davis**, Rexburg, ID (US); **Kevin Anderson**, Rexburg, ID (US)

(73) Assignee: **Silicate Studio Home, LLC**, Rexburg, ID (US)

(**) Term: **15 Years**

(21) Appl. No.: **29/781,969**

(22) Filed: **May 3, 2021**

(51) **LOC (14) Cl.** **08-11**

(52) **U.S. Cl.**
USPC **D8/367**

(58) **Field of Classification Search**

USPC D8/367, 349, 354, 371, 372; D3/293;
D11/208, 210; D21/304; D6/320, 323,
D6/540, 545, 327, 556

CPC A45C 13/03; A47G 25/0607; A47G 25/32;
A47G 1/20; A47G 29/03; A47G 29/08;
F16B 45/00; B25H 1/0057; A47F 5/0006

See application file for complete search history.

(56) **References Cited**

U.S. PATENT DOCUMENTS

D7,412 S *	5/1874	Jones	D8/367
1,170,919 A *	2/1916	McCallum	F16M 13/02
				160/335
D76,618 S *	10/1928	Krafthefer	D8/372
D228,852 S *	10/1973	Vogelbuber	D8/371
D338,612 S *	8/1993	Hampshire	D8/372
D345,298 S *	3/1994	Rosenthal	D8/367
D346,735 S *	5/1994	Glisch	D8/367
D373,719 S *	9/1996	Lin	D8/380
D376,307 S *	12/1996	Burgasser	D8/349
D558,029 S *	12/2007	Ernst	D8/367
D632,898 S *	2/2011	Heroux	D6/327

(Continued)

Primary Examiner — Calvin E Vansant

Assistant Examiner — Benjamin Lucas Gray

(74) *Attorney, Agent, or Firm* — Thope, North & Western, LLP

(57) **CLAIM**

The ornamental design for a wall hook, as shown.

DESCRIPTION

This is related to U.S. Design Patent Application filed May 3, 2021, as Ser. No. 29/781,974, and entitled “Dual Wall Hook”, and Ser. No. 29/781,982, and entitled “Hanging Hook”.

FIG. 1 is a perspective view of the wall hook showing a first embodiment in accordance with our invention;

FIG. 2 is a left side elevation view thereof, a right side elevation view being a mirror image thereof;

FIG. 3 is a top end view thereof;

FIG. 4 is a bottom end view thereof;

FIG. 5 is a front elevation view thereof; and

FIG. 6 is a rear elevation view thereof.

FIG. 7 is a perspective view of the wall hook showing a second embodiment in accordance with our invention;

FIG. 8 is a left side elevation view thereof, a right side elevation view being a mirror image thereof;

FIG. 9 is a top end view thereof;

FIG. 10 is a bottom end view thereof;

FIG. 11 is a front elevation view thereof; and

FIG. 12 is a rear elevation view thereof.

FIG. 13 is a perspective view of the wall hook showing a third embodiment in accordance with our invention;

FIG. 14 is a right side elevation view thereof, a left side elevation view being a mirror image thereof;

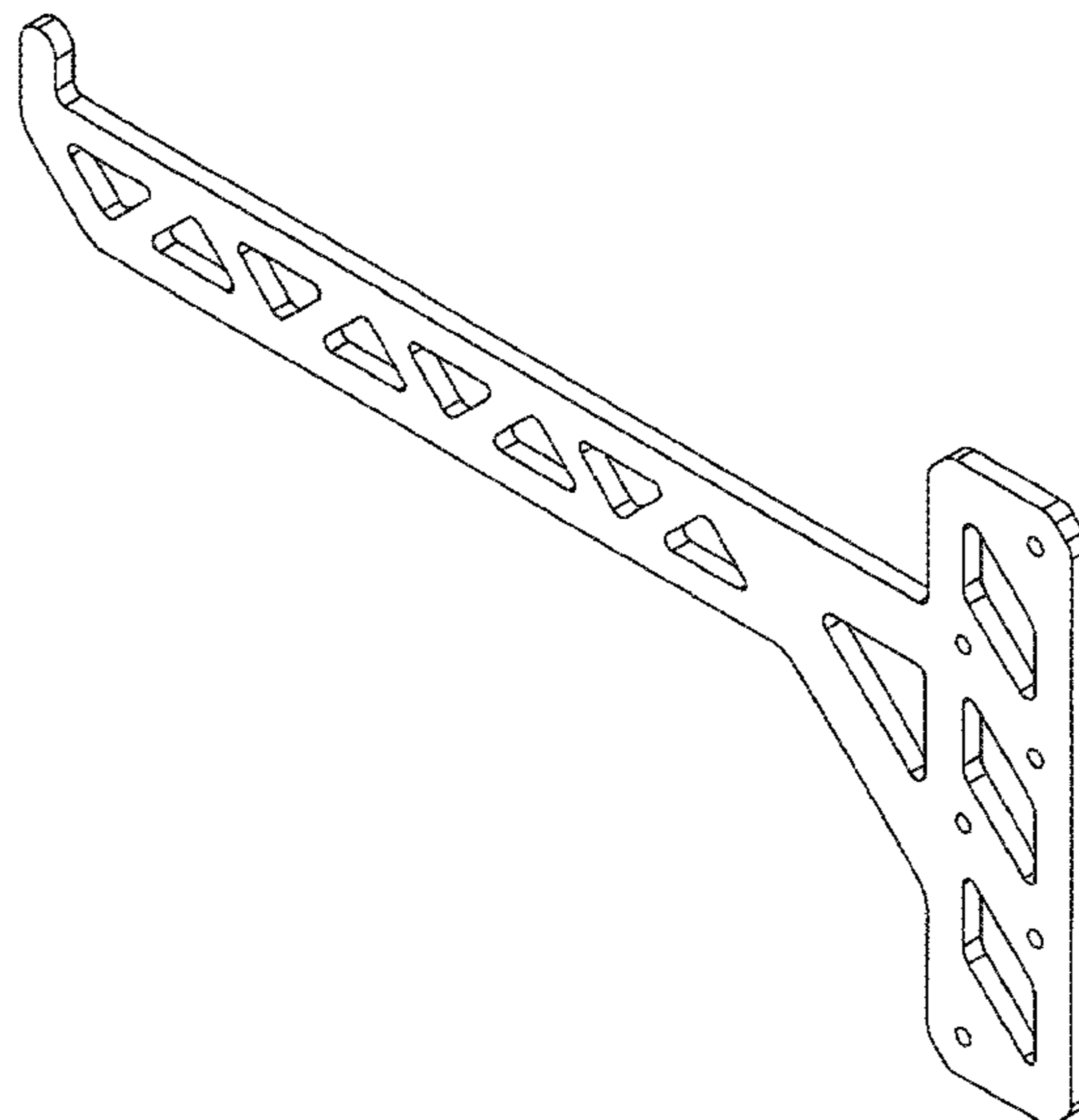
FIG. 15 is a top end view thereof;

FIG. 16 is a bottom end view thereof;

FIG. 17 is a front elevation view thereof; and,

FIG. 18 is a rear elevation view thereof.

1 Claim, 6 Drawing Sheets



(56)

References Cited

U.S. PATENT DOCUMENTS

D760,068 S *	6/2016	Sehl	D8/367
D787,899 S *	5/2017	Lannan	D7/688
D855,438 S *	8/2019	Akbar	D8/349
D879,590 S *	3/2020	Jaramillo	D8/354

* cited by examiner

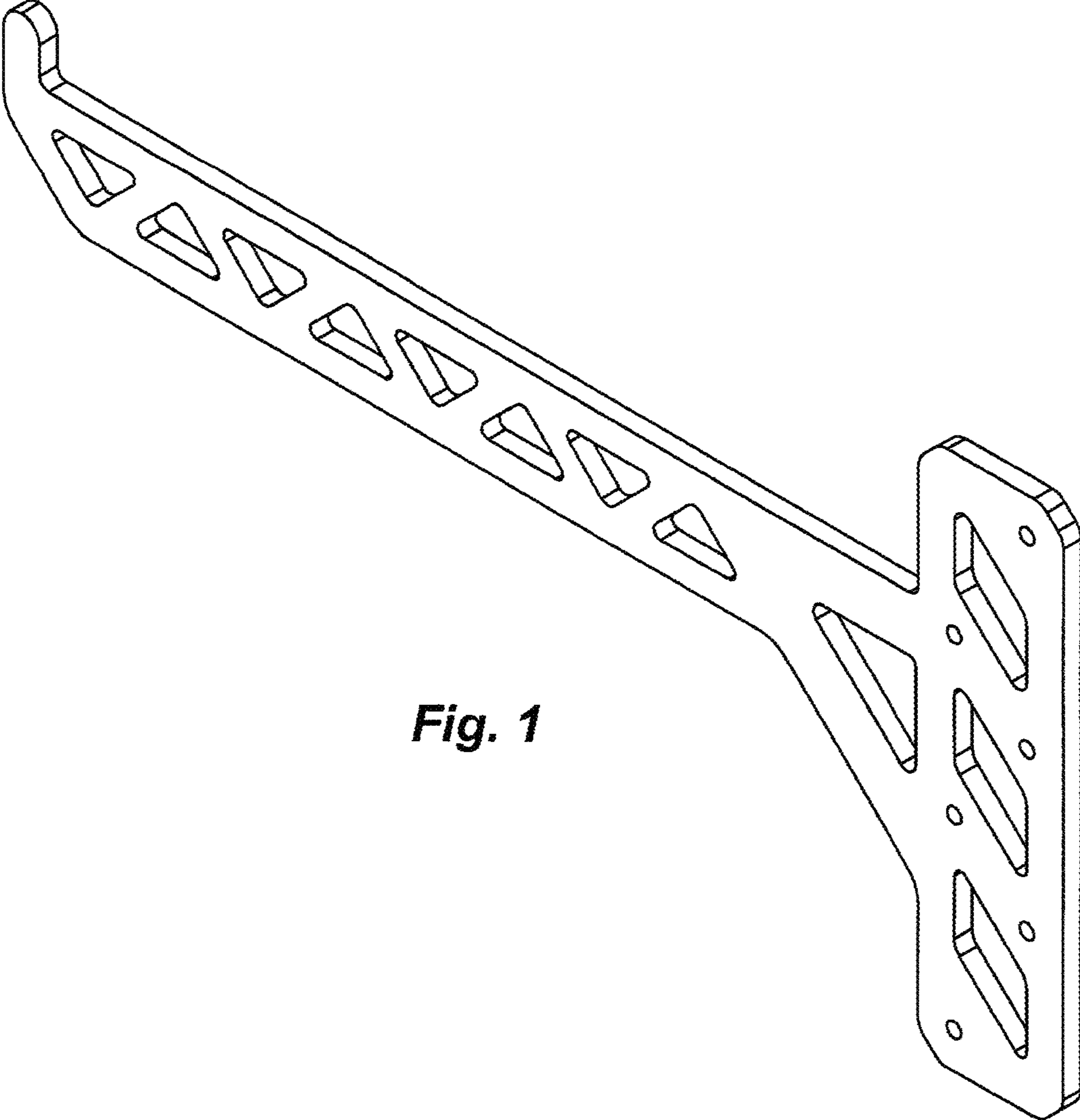


Fig. 1

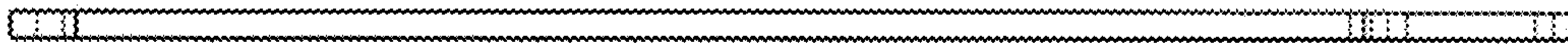


Fig. 3

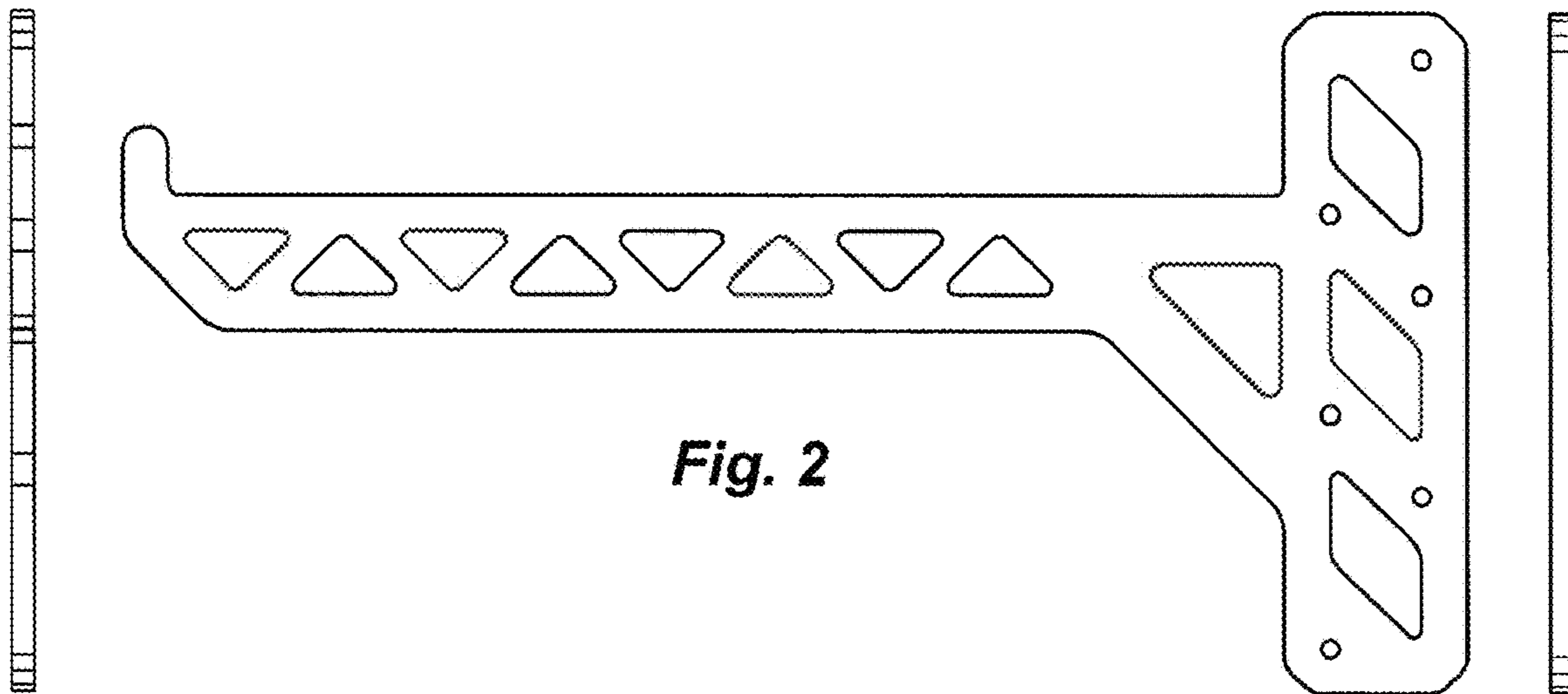


Fig. 2

Fig. 5

Fig. 6

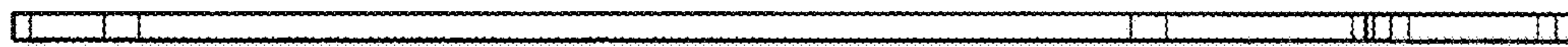


Fig. 4

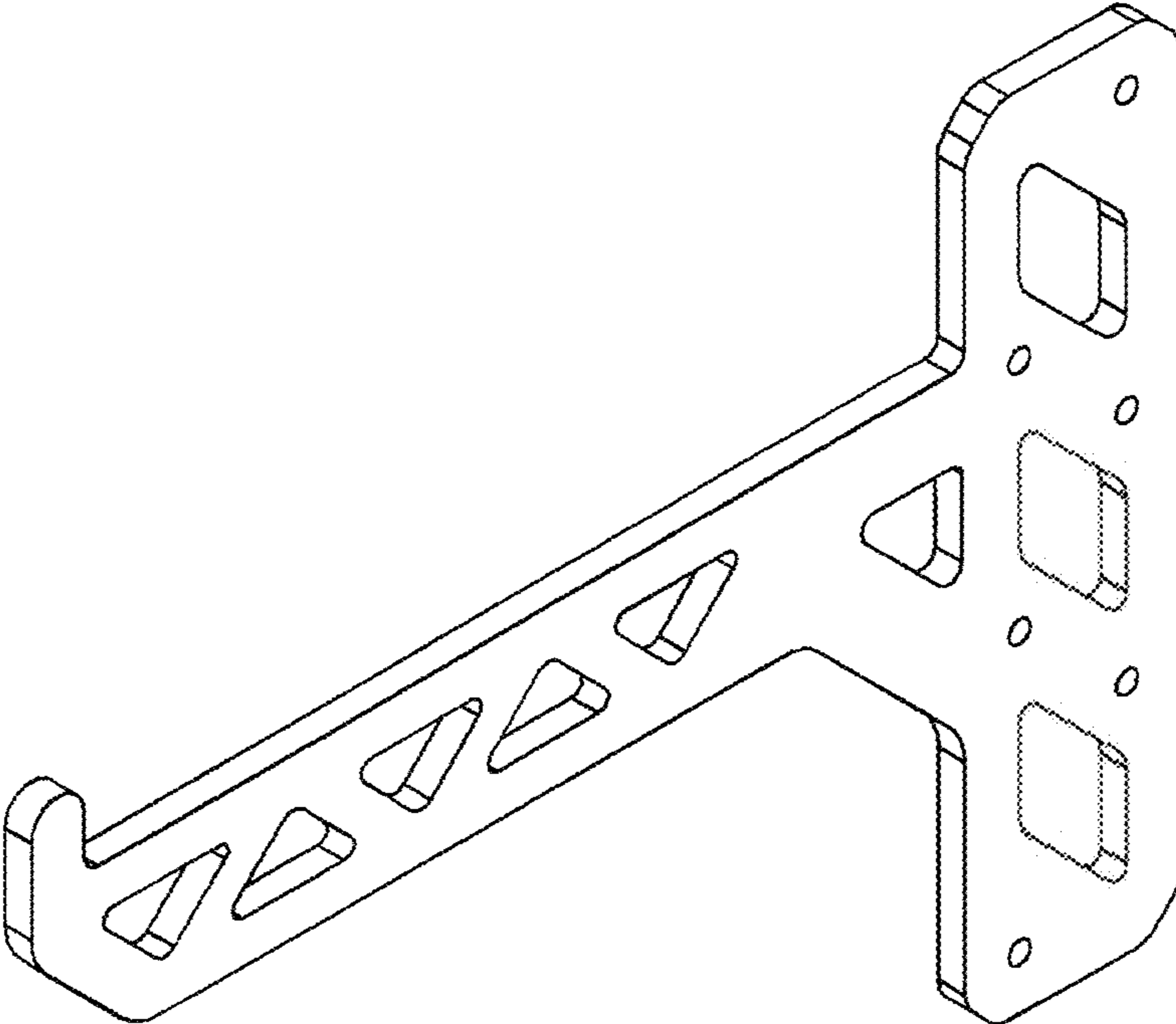


Fig. 7

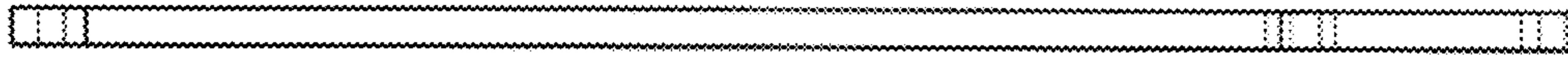


Fig. 9

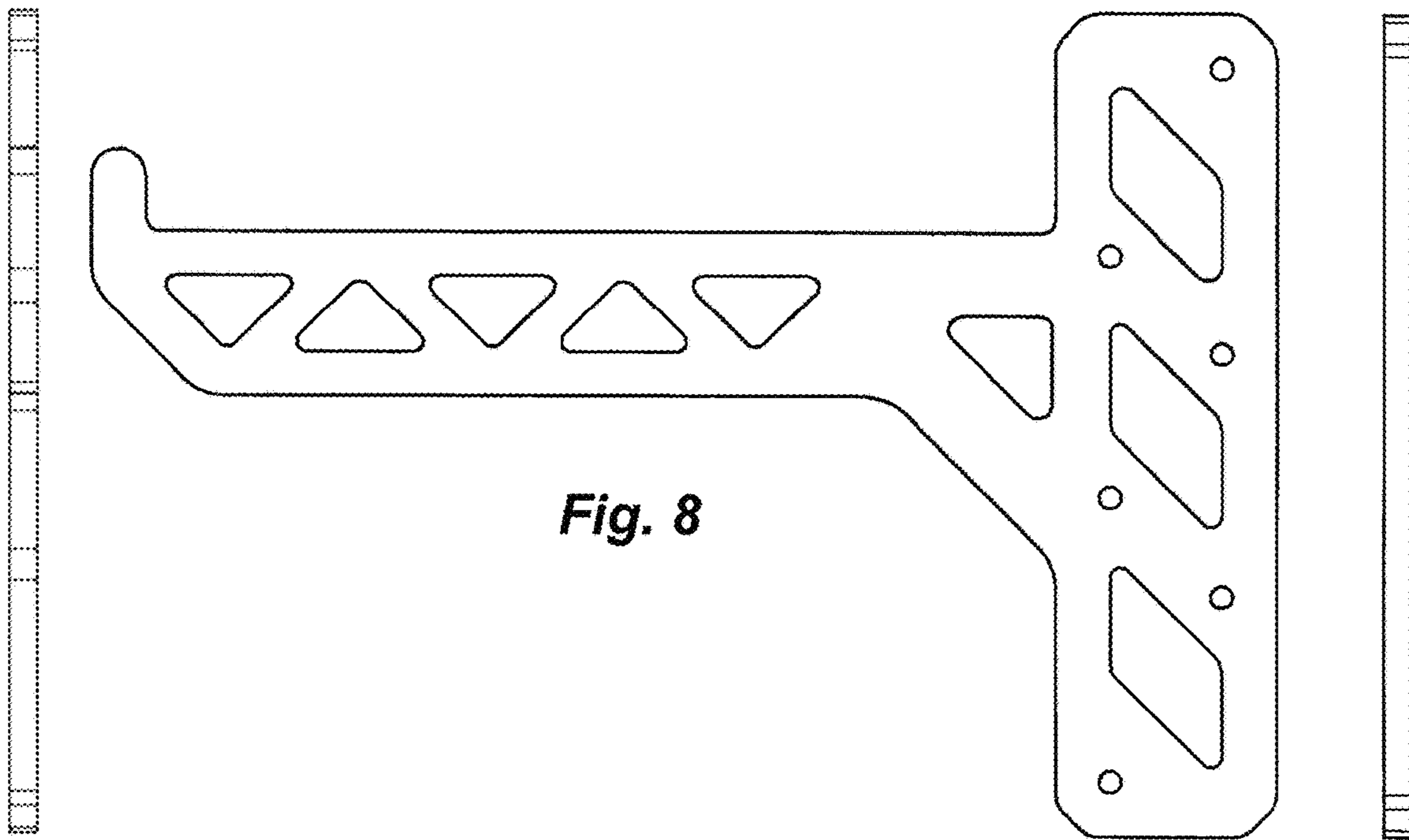


Fig. 8

Fig. 11

Fig. 12



Fig. 10

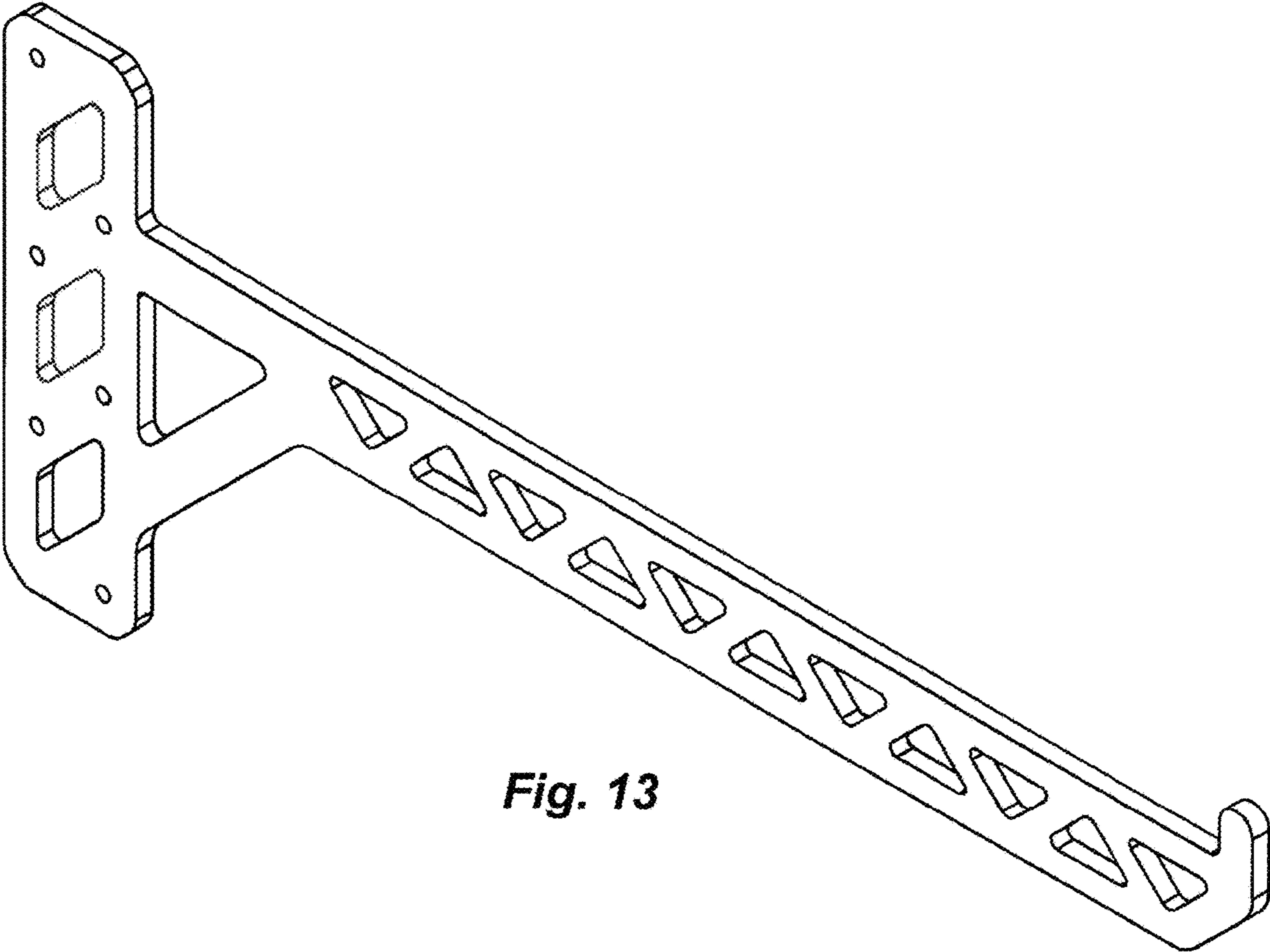


Fig. 13

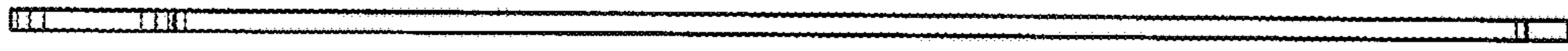


Fig. 15

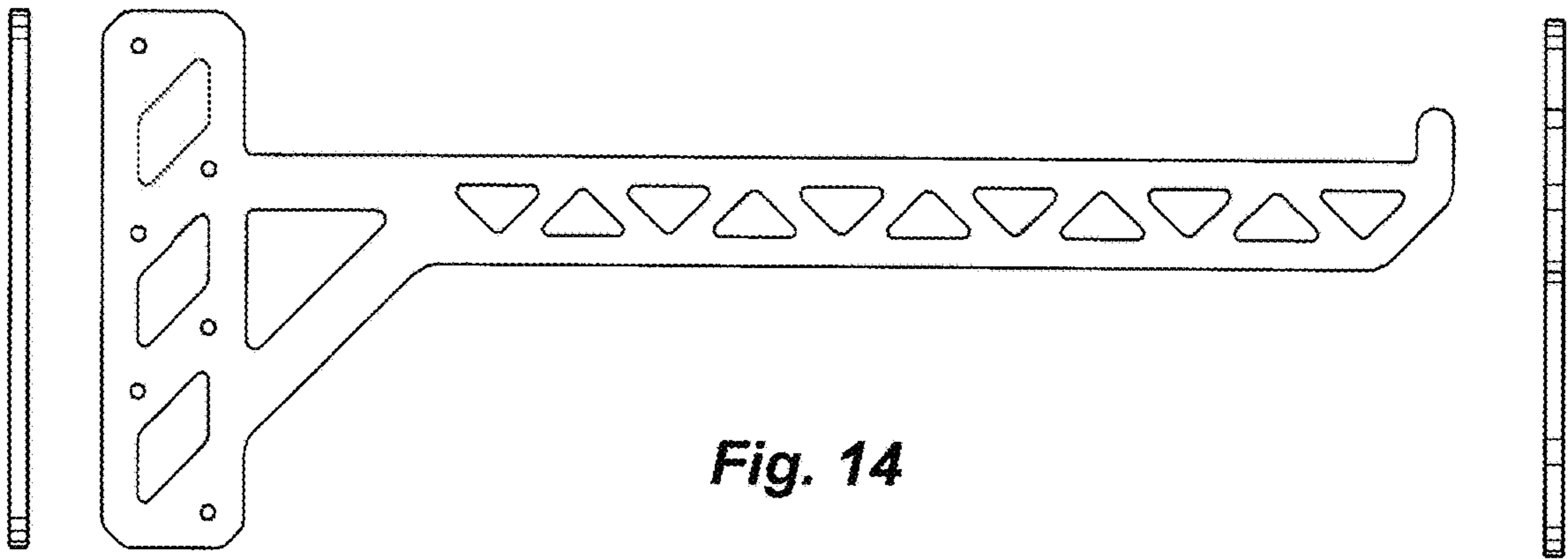


Fig. 14

Fig. 17

Fig. 18

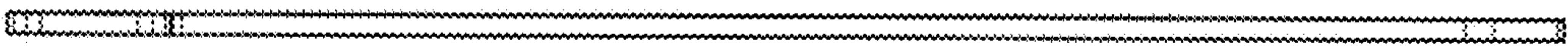


Fig. 16