



US00D977953S

(12) **United States Design Patent**
Graybill et al.

(10) **Patent No.:** **US D977,953 S**

(45) **Date of Patent:** **** Feb. 14, 2023**

- (54) **MOUNTABLE HOOK**
- (71) Applicant: **Silicate Studio Home, LLC**, Rexburg, ID (US)
- (72) Inventors: **Eric Graybill**, Rexburg Hills, ID (US);
Kevin Anderson, Rexburg Hills, ID (US)
- (73) Assignee: **Silicate Studio Home, LLC**, Rexburg, ID (US)
- (**) Term: **15 Years**
- (21) Appl. No.: **29/781,961**
- (22) Filed: **May 3, 2021**
- (51) **LOC (14) Cl.** **08-11**
- (52) **U.S. Cl.**
USPC **D8/367; D6/320**
- (58) **Field of Classification Search**
USPC D8/367, 349, 354, 371, 372; D3/293;
D11/208, 210; D21/304; D6/320, 323,
D6/540, 545
CPC A45C 13/03; A47G 25/0607; A47G 25/32;
A47G 1/20; A47G 29/03; A47G 29/08;
F16B 45/00; B25H 1/0057; A47F 5/0006
See application file for complete search history.

D386,389 S *	11/1997	Hofman	D8/367
D643,231 S *	8/2011	Huang	D6/672
D682,663 S *	5/2013	Evon	D8/367
D714,621 S *	10/2014	Pan	D8/367
D714,623 S *	10/2014	Pan	D8/367
D770,196 S *	11/2016	Swy	D6/525
D773,289 S *	12/2016	Green	D8/372
D782,210 S *	3/2017	Jang	D8/349
D812,454 S *	3/2018	Berger	D8/367
D842,081 S *	3/2019	Thompson	D8/367

* cited by examiner

Primary Examiner — Calvin E Vansant

Assistant Examiner — Benjamin Lucas Gray

(74) *Attorney, Agent, or Firm* — Thorpe, North & Western, LLP

(57) **CLAIM**

The ornamental design for a mountable hook, as shown and described.

DESCRIPTION

This is related to U.S. Design patent application Ser. No. filed 29/781,934, and entitled "Mountable Hook".

FIG. 1 is a perspective view of the mountable hook in accordance with our invention;

FIG. 2 is a front elevation view thereof;

FIG. 3 is a rear elevation view thereof;

FIG. 4 is a left side elevation view thereof, a right side elevation view being a mirror image thereof;

FIG. 5 is a top end view thereof; and,

FIG. 6 is a bottom end view thereof.

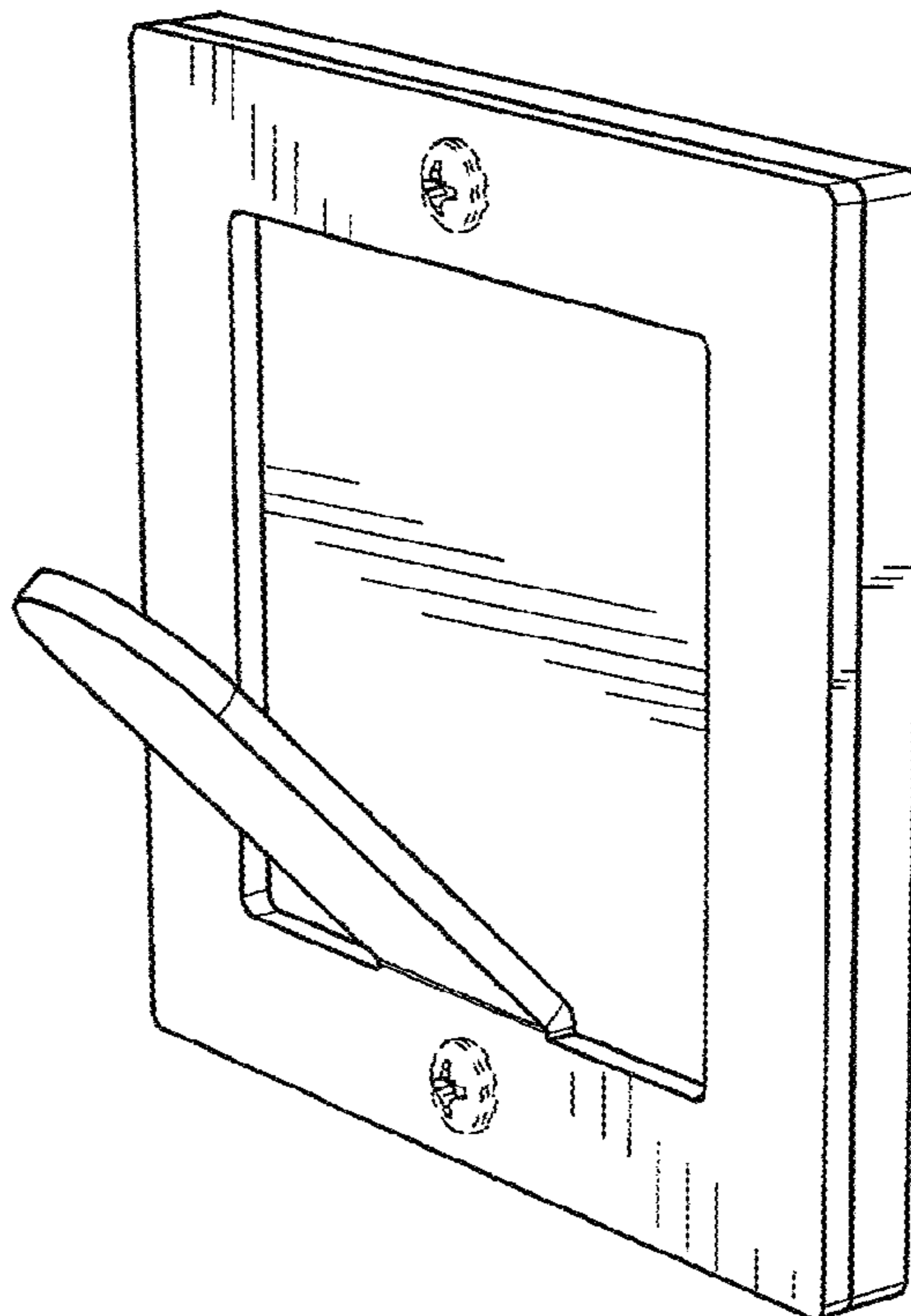
The broken lines shown in FIGS. 1-6 are for illustrative purposes only and form no part of the claimed design.

(56) **References Cited**

U.S. PATENT DOCUMENTS

D234,337 S *	2/1975	Block	D8/382
D241,206 S *	8/1976	Halsted	D8/367

1 Claim, 4 Drawing Sheets



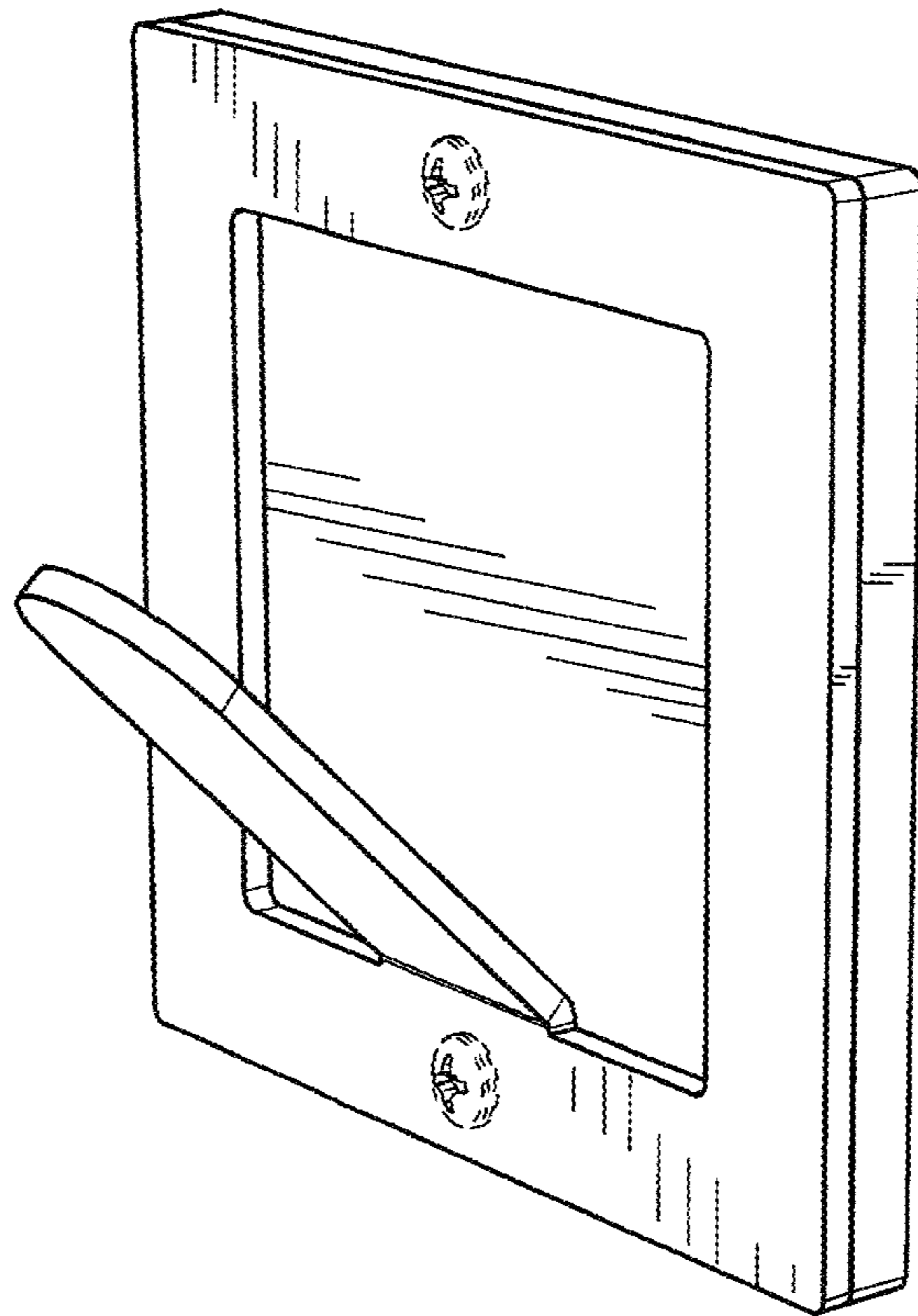


Fig. 1

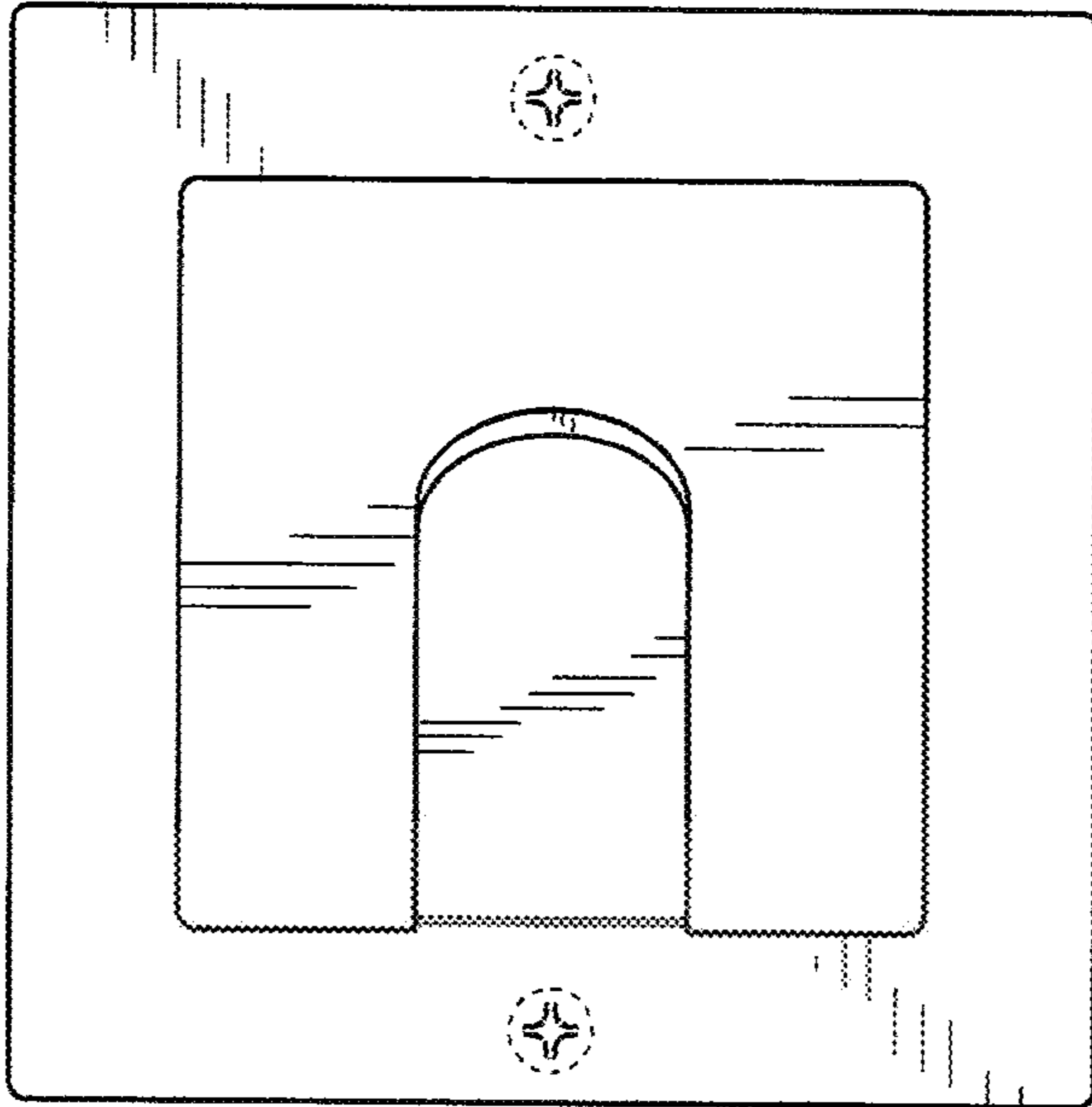


Fig. 2

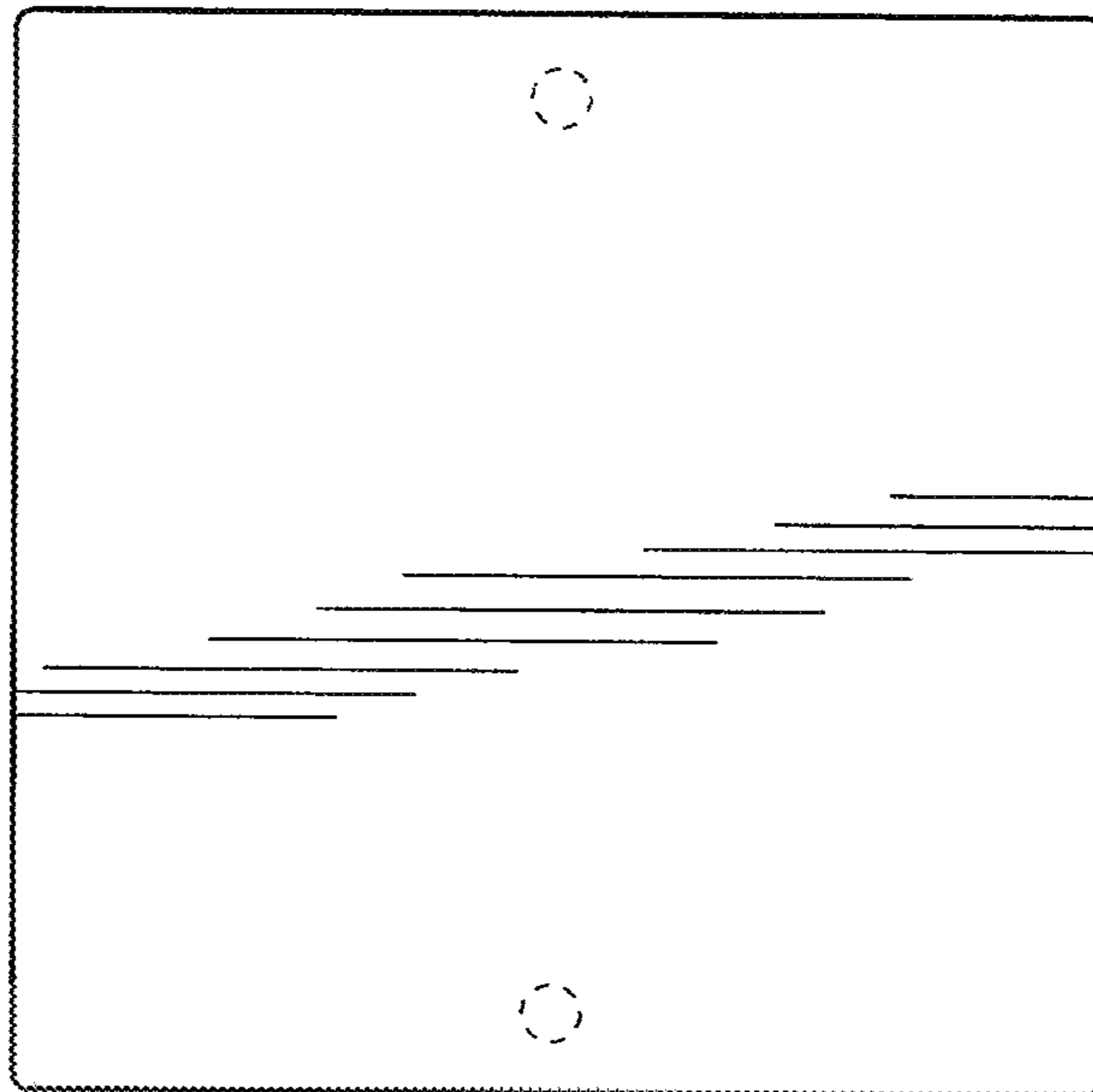


Fig. 3

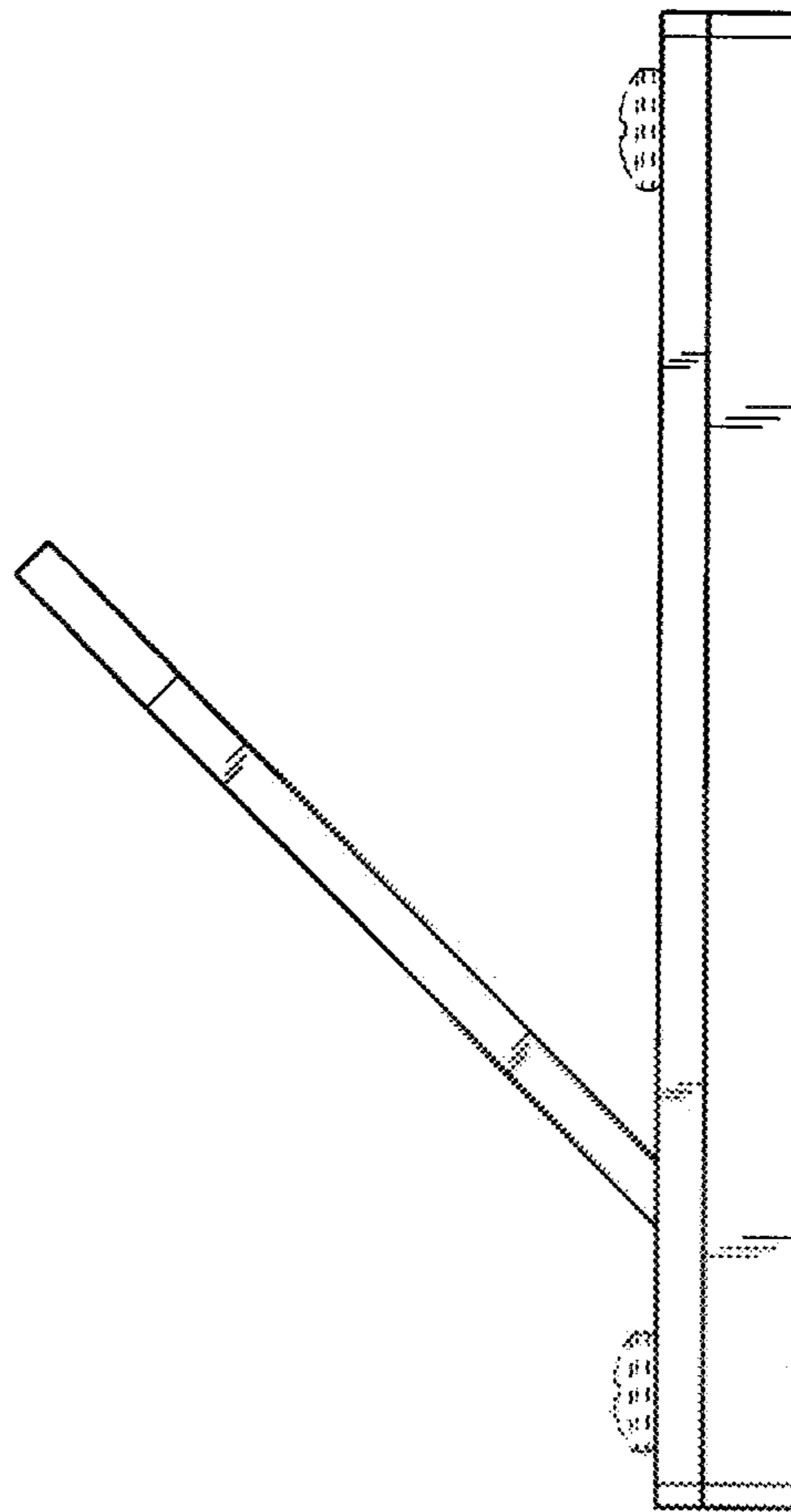


Fig. 4

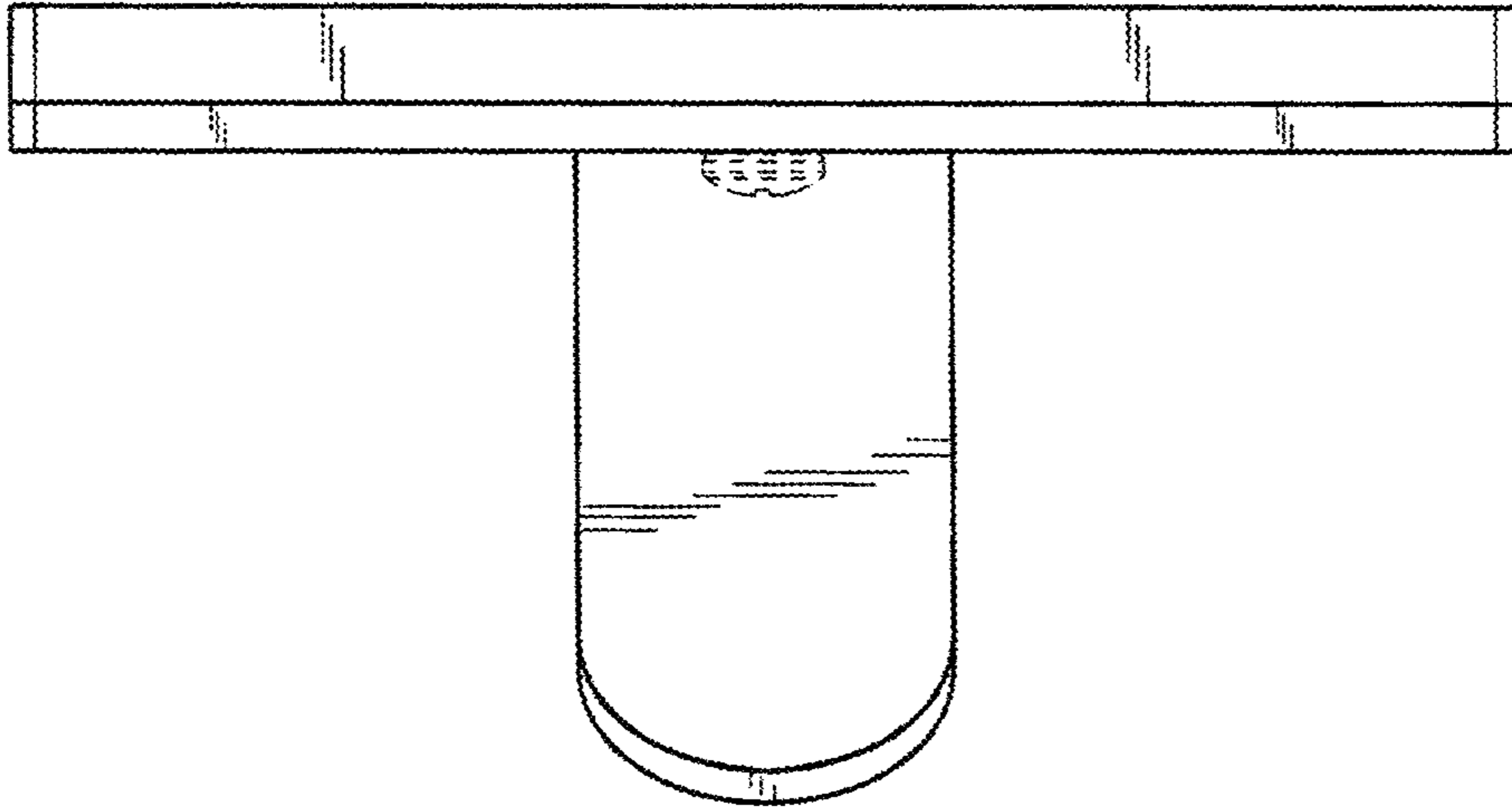


Fig. 5

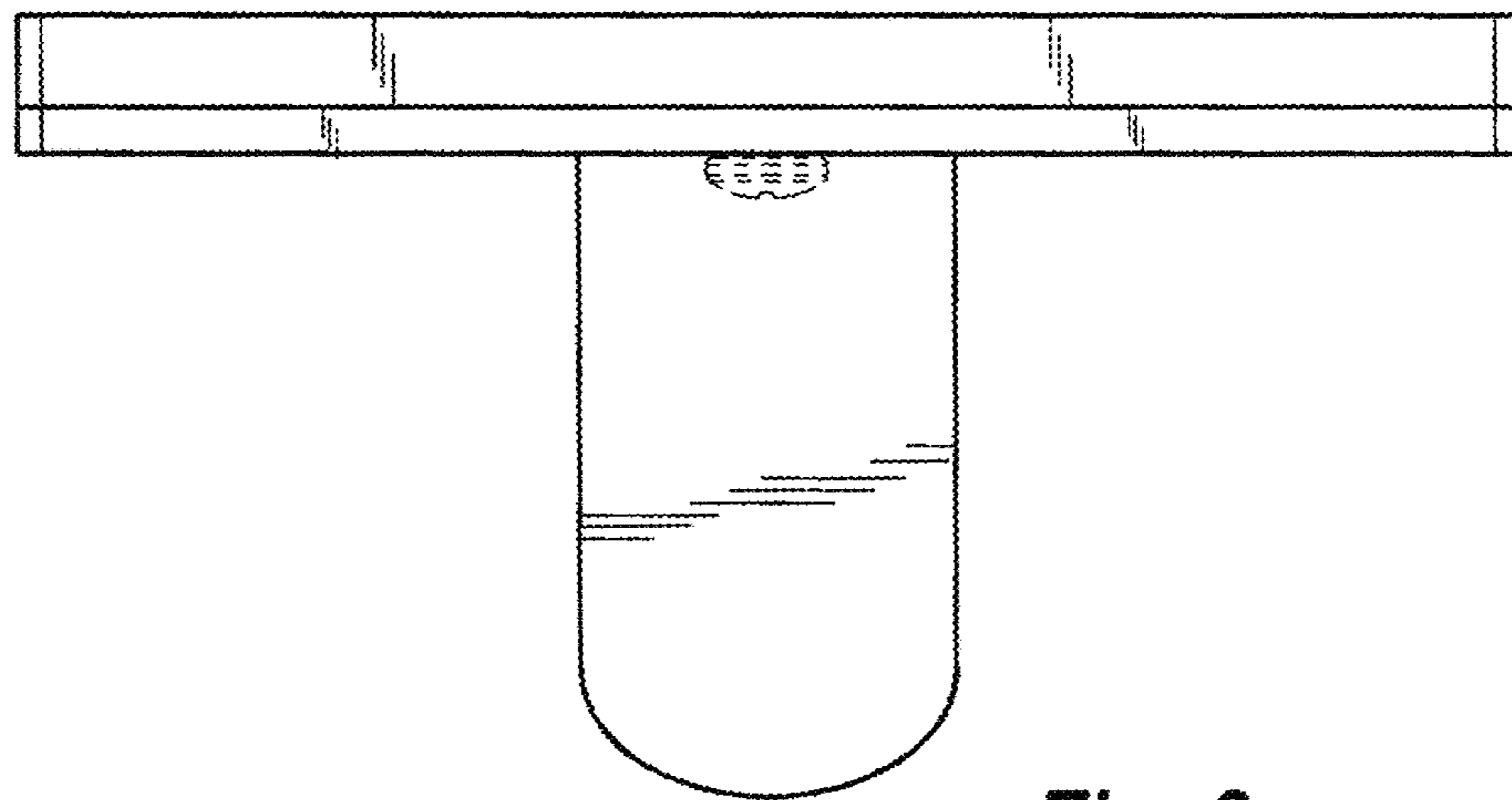


Fig. 6