



US00D977952S

(12) **United States Design Patent**
Graybill et al.

(10) **Patent No.:** **US D977,952 S**

(45) **Date of Patent:** **** Feb. 14, 2023**

- (54) **MOUNTABLE HOOK**
- (71) Applicant: **Silicate Studio Home, LLC**, Rexburg, ID (US)
- (72) Inventors: **Eric Graybill**, Rexburg Hills, ID (US);
Kevin Anderson, Rexburg Hills, ID (US)
- (73) Assignee: **Silicate Studio Home LLC**, Rexburg, ID (US)

D386,389 S *	11/1997	Hofman	D8/367
D393,412 S *	4/1998	Bries	D8/367
D444,053 S *	6/2001	Harvey	D8/367
D467,791 S *	12/2002	Goodman	D8/367
D643,231 S *	8/2011	Huang	D6/672
D770,196 S *	11/2016	Swy	D6/525
D782,210 S *	3/2017	Jang	D8/349
D842,081 S *	3/2019	Thompson	D8/367
D879,596 S *	3/2020	Li	D8/367
D939,330 S *	12/2021	Zhou	D8/367

(**) Term: **15 Years**

(21) Appl. No.: **29/781,934**

(22) Filed: **May 3, 2021**

(51) **LOC (14) Cl.** **08-11**

(52) **U.S. Cl.**
USPC **D8/367; D6/320**

(58) **Field of Classification Search**
USPC D8/367, 349, 354, 371, 372; D3/293;
D11/208, 210; D21/304; D6/320, 323,
D6/540, 545
CPC A45C 13/03; A47G 25/0607; A47G 25/32;
A47G 1/20; A47G 29/03; A47G 29/08;
F16B 45/00; B25H 1/0057; A47F 5/0006
See application file for complete search history.

(56) **References Cited**

U.S. PATENT DOCUMENTS

D230,037 S *	1/1974	Hawn	D8/367
D234,337 S *	2/1975	Block	D8/382
D289,139 S *	4/1987	Chasen	D8/367
D344,010 S *	2/1994	Brazis	D8/367
D364,045 S *	11/1995	Starck	D8/367

* cited by examiner

Primary Examiner — Calvin E Vansant

Assistant Examiner — Benjamin Lucas Gray

(74) *Attorney, Agent, or Firm* — Thopre, North & Western, LLP

(57) **CLAIM**

The ornamental design for a mountable hook, as shown and described.

DESCRIPTION

This is related to U.S. Design patent application filed May 3, 2021, as Ser. No. 29/781,961, and entitled "Mountable Hook".

FIG. 1 is a perspective view of the mountable hook in accordance with our invention;

FIG. 2 is a front elevation view thereof;

FIG. 3 is a rear elevation view thereof;

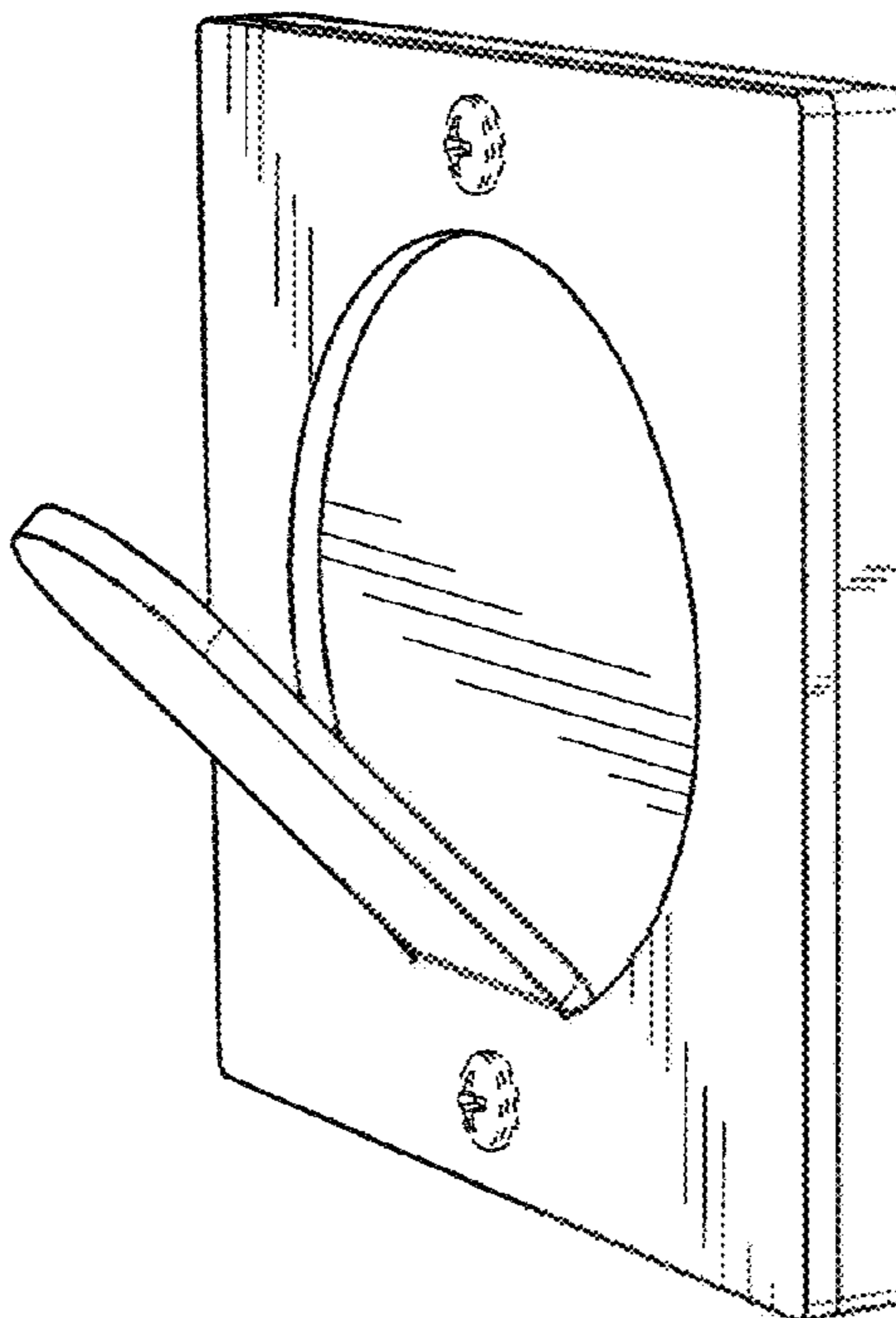
FIG. 4 is a left side elevation view thereof, a right side elevation view being a mirror image thereof;

FIG. 5 is a top end view thereof; and,

FIG. 6 is a bottom end view thereof.

The broken lines shown in FIGS. 1-6 are for illustrative purposes only and form no part of the claimed design.

1 Claim, 4 Drawing Sheets



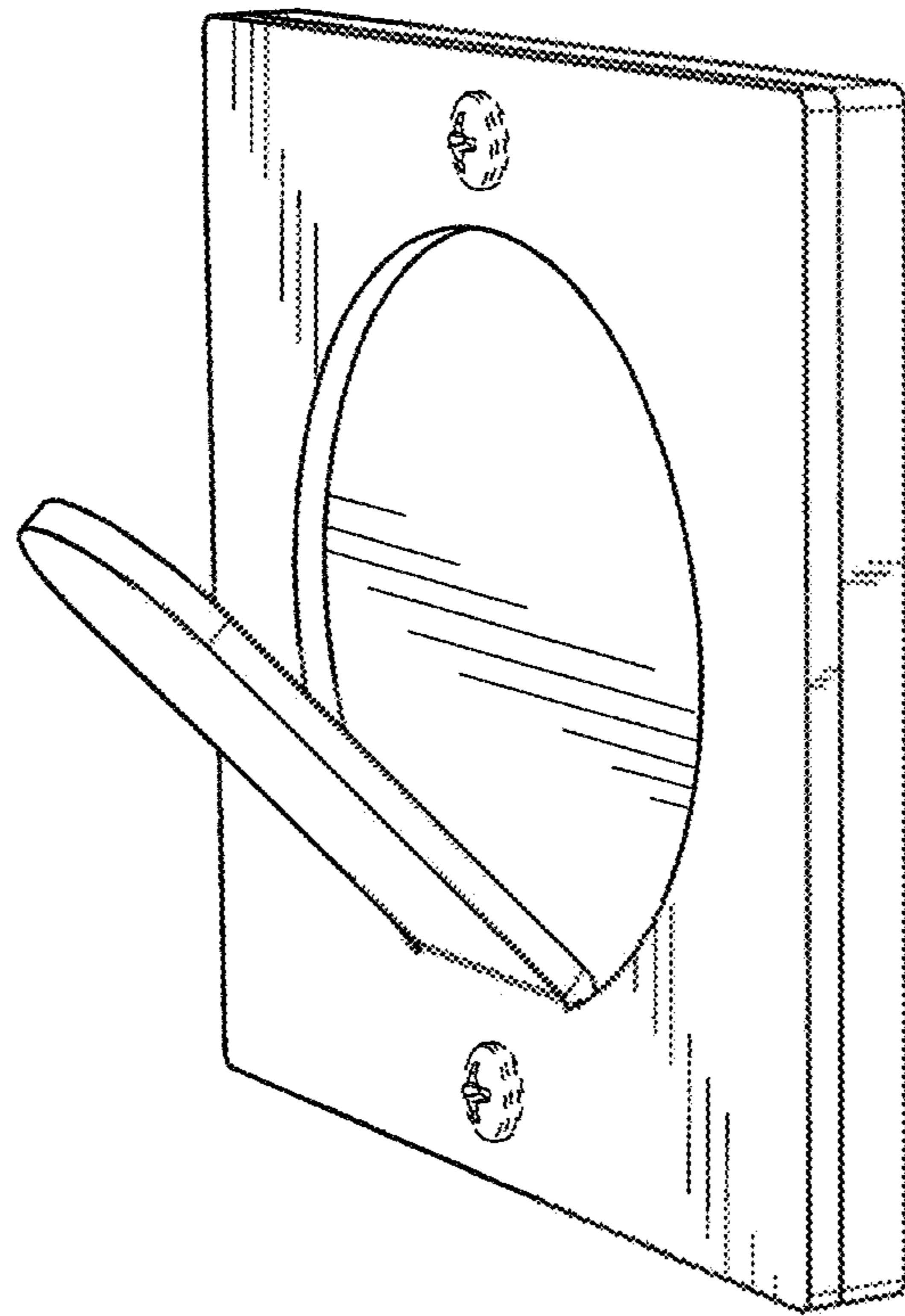


Fig. 1

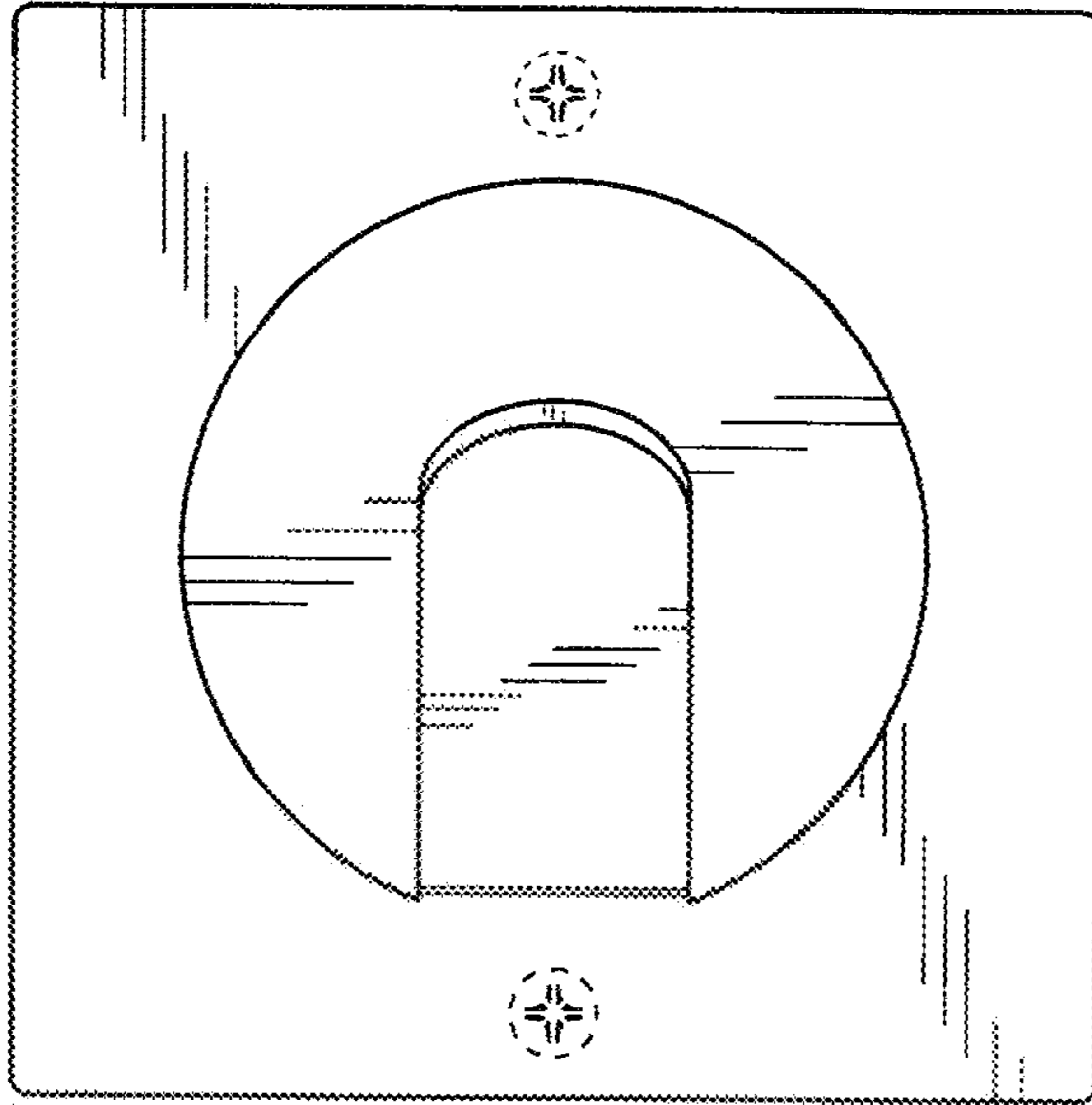


Fig. 2

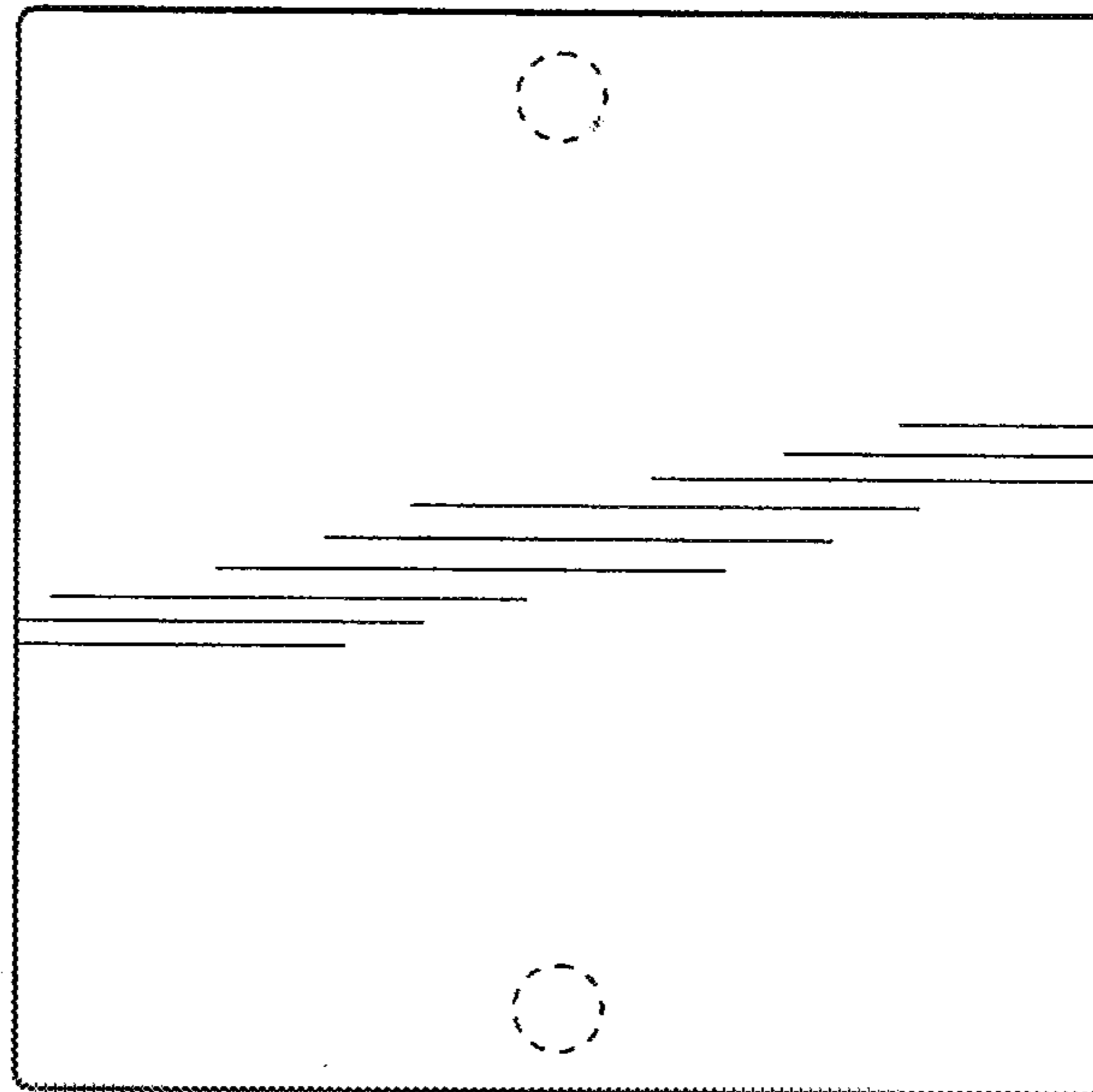


Fig. 3

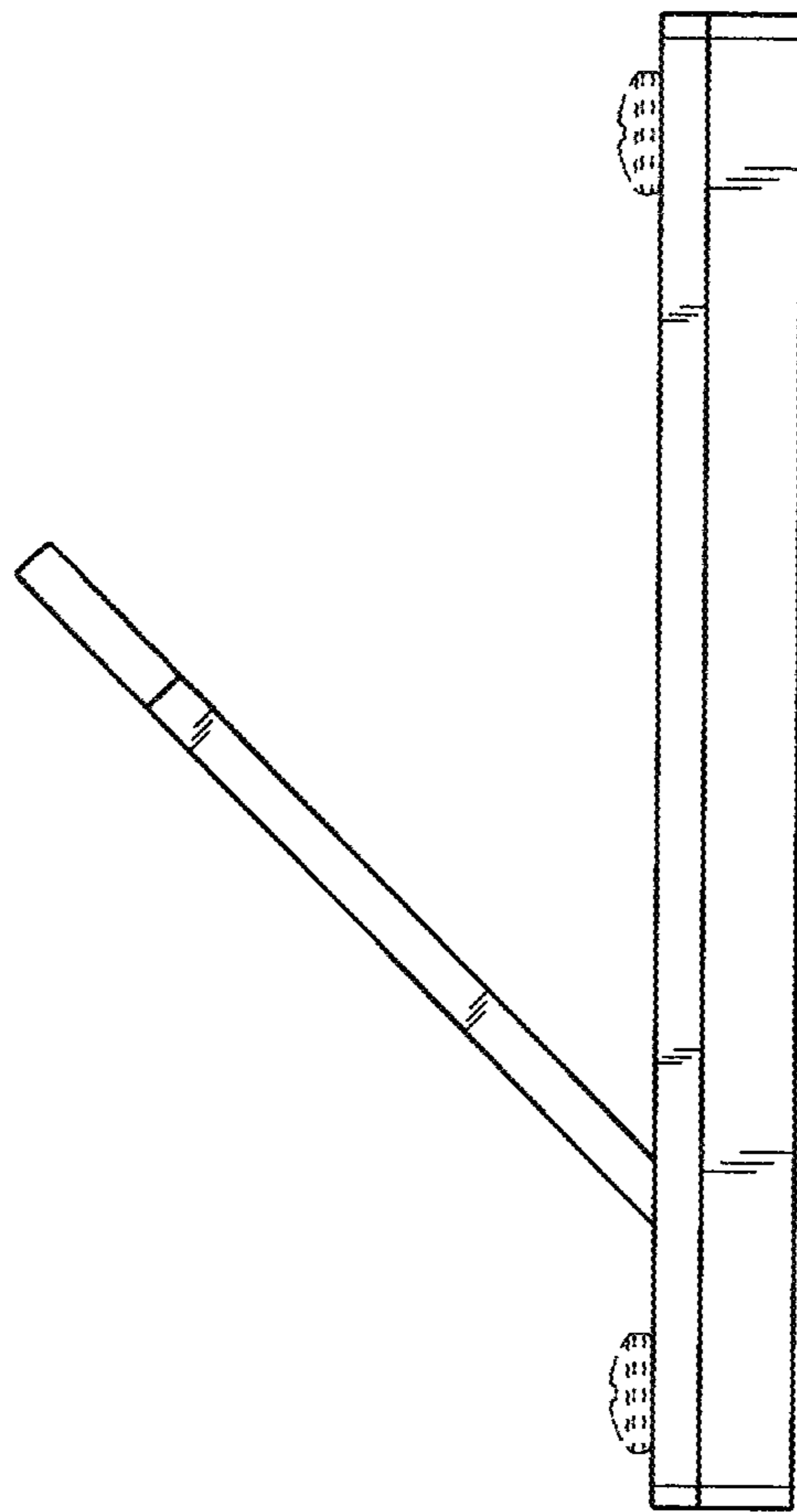


Fig. 4

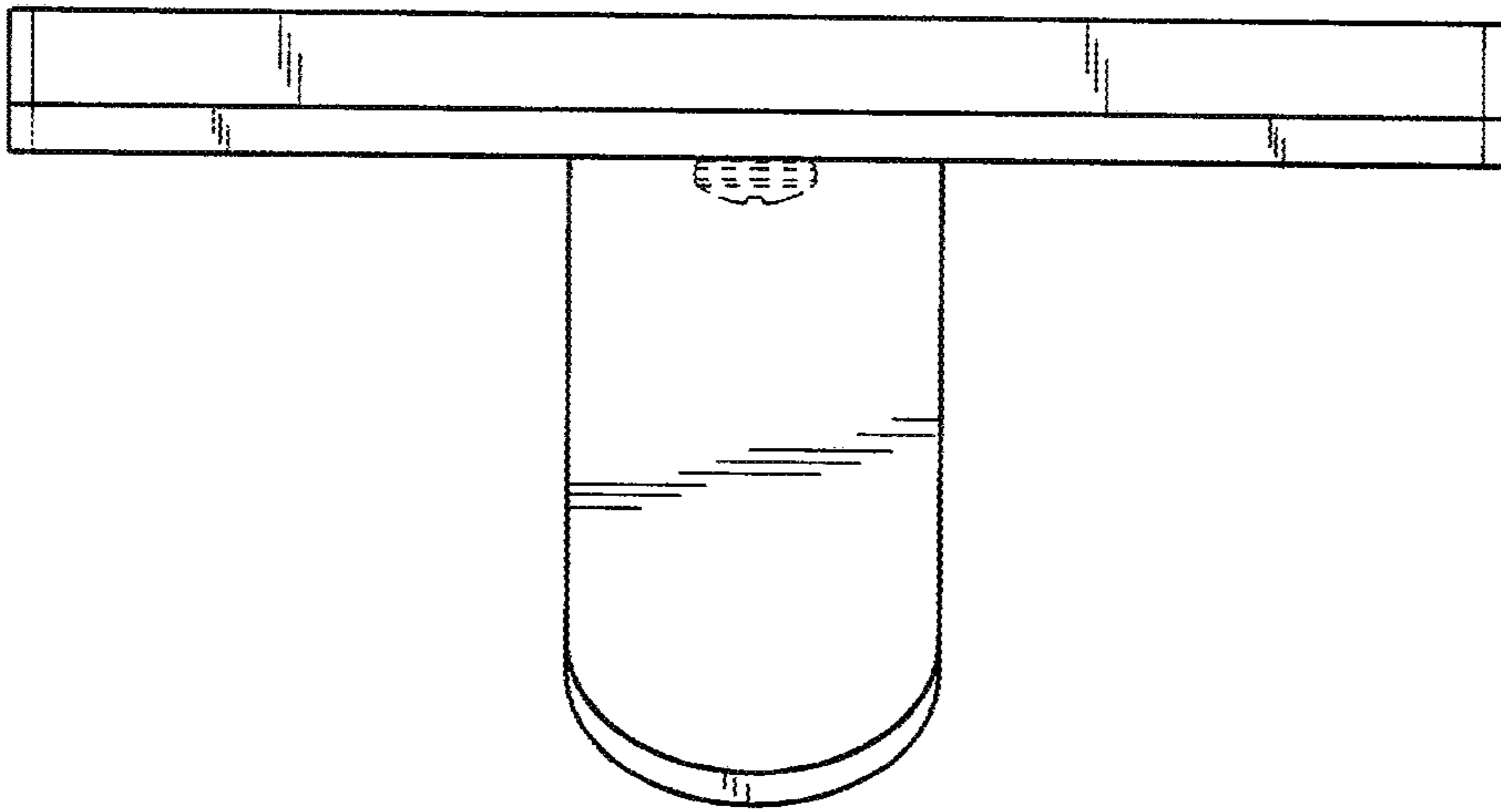


Fig. 5

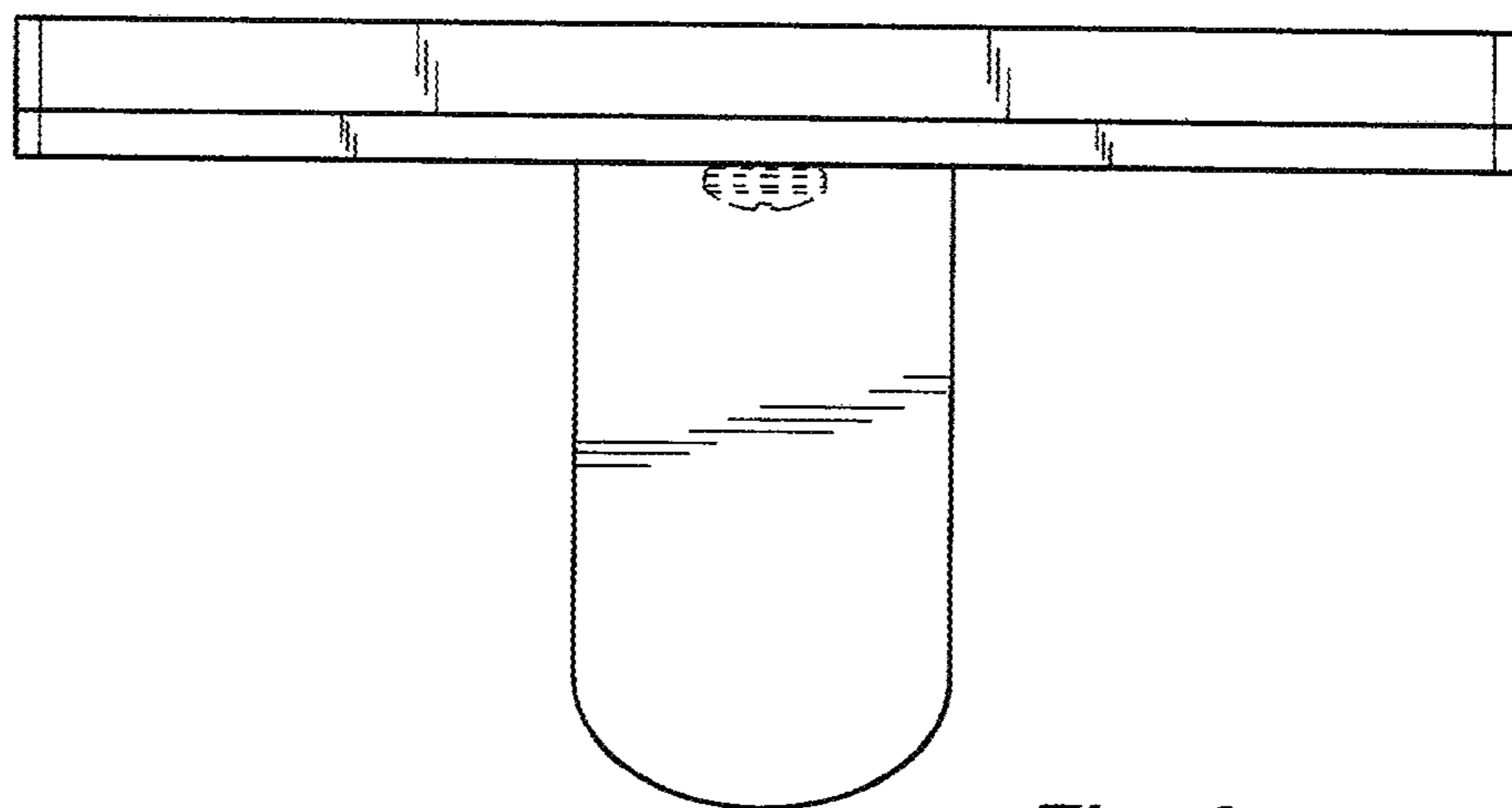


Fig. 6