



US00D977950S

(12) **United States Design Patent**
Sargent

(10) **Patent No.:** **US D977,950 S**

(45) **Date of Patent:** **** Feb. 14, 2023**

(54) **TROLLEY APPARATUS FOR SLACKLINE WEBBING**

(71) Applicant: **eBrands Global Oy**, Helsinki (FI)

(72) Inventor: **Nathan Thomas Sargent**, Oceanside, CA (US)

(73) Assignee: **eBrands Global Oy**, Helsinki (FI)

(**) Term: **15 Years**

(21) Appl. No.: **29/834,031**

(22) Filed: **Apr. 8, 2022**

Related U.S. Application Data

(63) Continuation of application No. 29/810,589, filed on Oct. 6, 2021, now Pat. No. Des. 961,369.

(51) **LOC (14) Cl.** **08-11**

(52) **U.S. Cl.**

USPC **D8/360**

(58) **Field of Classification Search**

USPC D8/360, 356, 354, 349, 367

CPC A63B 29/00; A63B 27/00

See application file for complete search history.

(56) **References Cited**

U.S. PATENT DOCUMENTS

D45,911 S	6/1914	Mallory	
D55,508 S	6/1920	Flynn, Jr.	
3,026,816 A	3/1962	Russo	
D202,294 S	9/1965	Heifetz	
D209,013 S *	10/1967	McElroy	D8/394
4,062,293 A	12/1977	Davis	
5,119,735 A	6/1992	Jang	
5,931,100 A	8/1999	Sutton	
D431,771 S	10/2000	Westerfield	
6,810,818 B2	11/2004	Petzl	

(Continued)

FOREIGN PATENT DOCUMENTS

DE 202011103593 11/2011
EM 0015360950001 6/2009

(Continued)

OTHER PUBLICATIONS

Petzl; RESCUE “High strength, very high efficiency pulley”; <https://www.petzl.com/US/en/Professional/Pulleys/RESCUE> [retrieved from the internet on Oct. 6, 2021] Feb. 13, 2018 (3 pages).

(Continued)

Primary Examiner — Cynthia R Underwood

(74) *Attorney, Agent, or Firm* — Esplin & Associates, PC

(57) **CLAIM**

The ornamental design for a trolley apparatus for slackline webbing, as shown and described.

DESCRIPTION

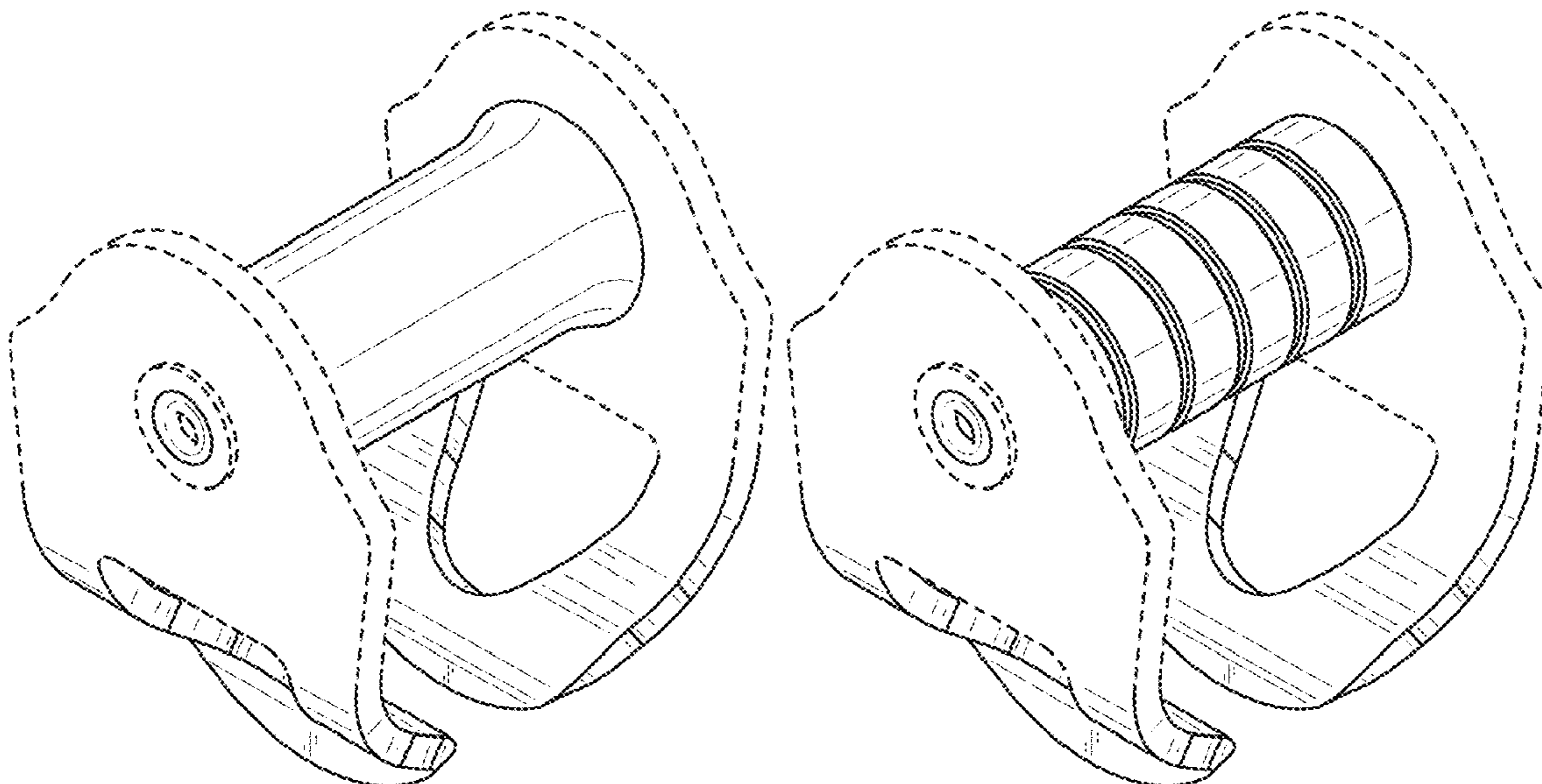
FIG. 1 is a perspective view of the trolley apparatus for slackline webbing showing an implementation of the new design with upper portions of side plates in broken lines; FIG. 2 is a front view thereof; FIG. 3 is a side view thereof; FIG. 4 is a top view thereof; and FIG. 5 is a bottom view thereof.

FIG. 6 is a perspective view of the trolley apparatus for slackline webbing showing another implementation of the new design with upper portions of the side plates in broken lines;

FIG. 7 is a front view thereof; FIG. 8 is a side view thereof; FIG. 9 is a top view thereof; and FIG. 10 is a bottom view thereof.

The broken lines depict portions of the structure that form no part of the claimed design.

1 Claim, 4 Drawing Sheets



(56)

References Cited

U.S. PATENT DOCUMENTS

7,819,066 B2 * 10/2010 Smith A63G 21/22
104/53
7,966,941 B1 * 6/2011 Brannan B60T 11/046
104/53
8,234,980 B2 8/2012 Boren
8,336,463 B2 * 12/2012 Smith B61H 9/02
104/53
D685,676 S 7/2013 Tylaska
D687,700 S 8/2013 Petzl
8,640,626 B2 2/2014 Perry
8,783,190 B2 * 7/2014 Boren B61H 9/02
104/113
8,851,232 B2 * 10/2014 Raoul Bingham A63B 29/02
182/5
9,707,976 B2 7/2017 Strasser
D819,434 S * 6/2018 Sonneman D8/394
10,092,788 B2 10/2018 O'Brien
D833,856 S 11/2018 Simonds
D860,766 S 9/2019 Brown
D860,773 S * 9/2019 Hawthorne D8/396
D862,205 S 10/2019 Bailey
D869,263 S 12/2019 Cowell
D874,553 S * 2/2020 Costa D16/237
D877,597 S * 3/2020 Nichols D8/343
10,654,498 B2 5/2020 Runia
D893,286 S 8/2020 Xu
D896,352 S 9/2020 Horning
D908,475 S 1/2021 Grobe
D920,083 S 5/2021 Yu
11,007,947 B2 5/2021 Gandhi
D930,460 S 9/2021 Sun
D932,109 S * 9/2021 Auston D29/122
D936,462 S 11/2021 Cao
D951,073 S * 5/2022 Lee D8/360
D952,447 S * 5/2022 Jang D8/360
2009/0114893 A1 5/2009 Lange
2009/0223406 A1 9/2009 Smith
2011/0239898 A1 10/2011 Brown
2016/0325130 A1 11/2016 Grund
2017/0319887 A1 11/2017 O'Brien
2018/0001126 A1 1/2018 Klopman
2018/0185690 A1 7/2018 Coulter
2018/0326957 A1 11/2018 McGowan
2020/0385028 A1 12/2020 Quillard

FOREIGN PATENT DOCUMENTS

EM 0015360950002 6/2009
EM 0015360950003 6/2009
EM 0015360950004 6/2009
EM 0015360950005 6/2009
EM 0015360950006 6/2009
EM 0061260580001 2/2019
WO 2011078460 6/2011

OTHER PUBLICATIONS

Krzysztof Bukolt, GrabCad.com “Webbing Pully—Prototype of pulley for slackline” <https://grabcad.com/library/webbing-pulley-1> [retrieved from the internet on Oct. 6, 2021] Jul. 23, 2017 (4 pages).

Sumally; Landcruising Highslide 2 Webbing Pulley “https://sumally.com/p/2413315object_id=ref%3AkwHNRkSBoXDOACTTAw%3AMJEt” [retrieved from the internet on Oct. 6, 2021] May 11, 2017 (1 page).
Slacktivity “HangOver-S | Screw-gate” <https://slacktivity.com/shop/screw-gate-hangover/> [retrieved from the internet on Oct. 6, 2021] Feb. 11, 2021 (9 pages).
Liftec Rigging; “Pulley Blocks Pulley Single Sheave Webbing Light Duty With Bronze Bush Bearing” http://www.chinaliftec.com/products/pulley_blocks/434.html [retrieved from the internet on Oct. 6, 2021] Sep. 29, 2015 (2 pages).
REI Co-op Shop; R“esults for ‘pulley’” <https://www.rei.com/search?q=pulley> [retrieved from the internet on Oct. 6, 2021] 2021 (5 pages).
Petzl; FIXE “Versatile compact pulley”; <https://www.petzl.com/US/en/Professional/Pulleys/FIXE> [retrieved from the internet on Oct. 6, 2021] Feb. 13, 2018 (3 pages).
WesSpur; “½” Capacity Pulleys”; <https://www.wesspur.com/pulleys/half-inch-pulleys.html> [retrieved from the internet on Oct. 6, 2021] Mar. 15, 2005 (12 pages).
Petzl; TANDEM® SPEED “Efficient double pulley for zip lines or tensioned”; [highlineshttps://www.petzl.com/US/en/Professional/Pulleys/TANDEM-SPEED](https://www.petzl.com/US/en/Professional/Pulleys/TANDEM-SPEED) [retrieved from the internet on Oct. 6, 2021] Feb. 13, 2018 (3 pages).
Spider Slacklines; Aidman Slackline slider;5. https://spider-slacklines.com/shop/en/rollex/81-3458-aidman-slackline-slider-7325999090.html#/634-select_brake-rubber_pulley_brake [retrieved from the internet on Oct. 6, 2021] May 17, 2021 (7 pages).
Slack-Mountain; “Line Slider Slack Mountain”; <https://slack-mountain.com/en/pulley-and-tension/61-poulie-de-sangle-slack-mountain.html> [retrieved from the internet on Oct. 6, 2021] Jun. 9, 2020 (4 pages).
FeetOffTheGround; “Highway Line Slide/Webbing Pulley” <https://feetoffground.com.au/product/highway-line-slide-webbing-pulley/> [retrieved from the internet on Oct. 6, 2021] Aug. 20, 2019 (4 pages).
Zerge—Outdoor—“Skip—The high-efficiency webbing pulley” <http://zergeoutdoor.com/product/skip-the-high-efficiency-webbing-pulley/> [retrieved from the internet on Oct. 6, 2021] Nov. 12, 2016 (7 pages).
Petram Slackline “Motum Pulley” <https://www.facebook.com/Petram.Slackline/posts/motum-pulley-webbing-pulley-for-transport-on-slackline-or-as-an-multiplier-in-si/240908006240250/> [retrieved from the internet on Oct. 6, 2021] Jan. 15, 2016 (2 Pages).
https://www.amazon.com/HOKINETY-Ninja-Slackline-Pulley-Kit/dp/B09L4PK95Q/ref=sr_1_7?crd=3IME21TLB75YM&keywords=hokinety+ninja+warrior+obstacle+course+for&qid=1641835101&s=toys-and-games&sprefix=hokinety+ninja+warrior+obstacle+course+fo%2Ctoys-and-games%2C105&sr=1-7 (Year:2 2021).
https://www.amazon.com/Fofana-Ninja-Slider-Slackline-Pulley/dp/B08X1R6335/ref=873e-d532e726c2f0&pf_rd_r=6H5Y7ZJBF2Y4YMRS681Z&pd_rd_r=8dd8d402-0a9f-405e-a30f-895347e13739&pd_rd_wg=4tN7N&pd_rd (Year: 2021).
(<https://www.amazon.com/Slackline-Ziplines-Backyards%EF%BC%8CZipline-Accessories-Kit%EF%BC%8CNinja/dp/B08V5JRFJJ?th=1>) (Year: 2021).
<https://www.ubuy.co.in/product/D68SQ06-jugader-ninja-warrior-obstacle-course-for-kids-with-slide-pulley-50ft-ninja-slackline-with-climbing>; Apr. 4, 2021; Jugador (Year: 2021).

* cited by examiner

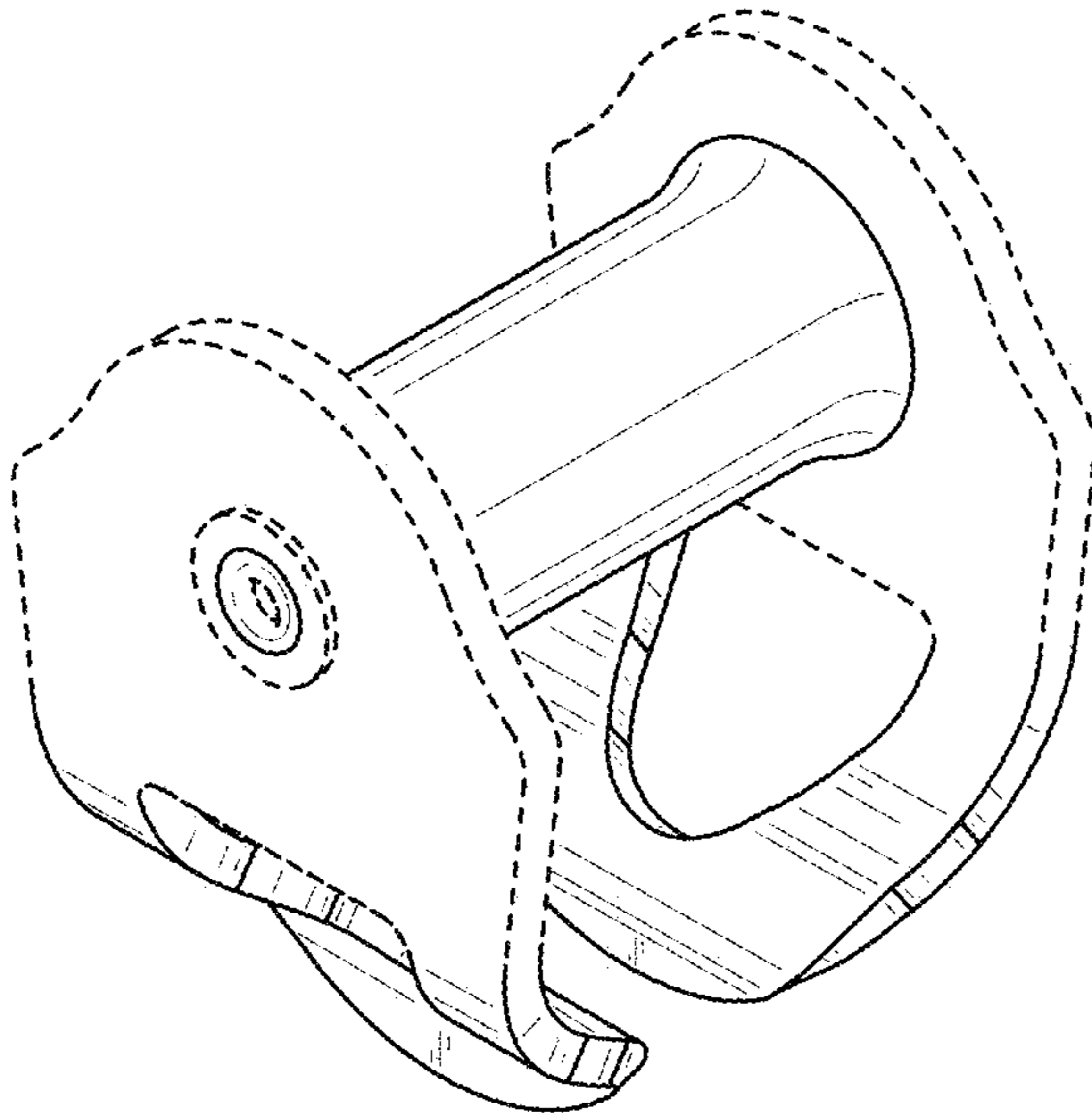


FIG. 1

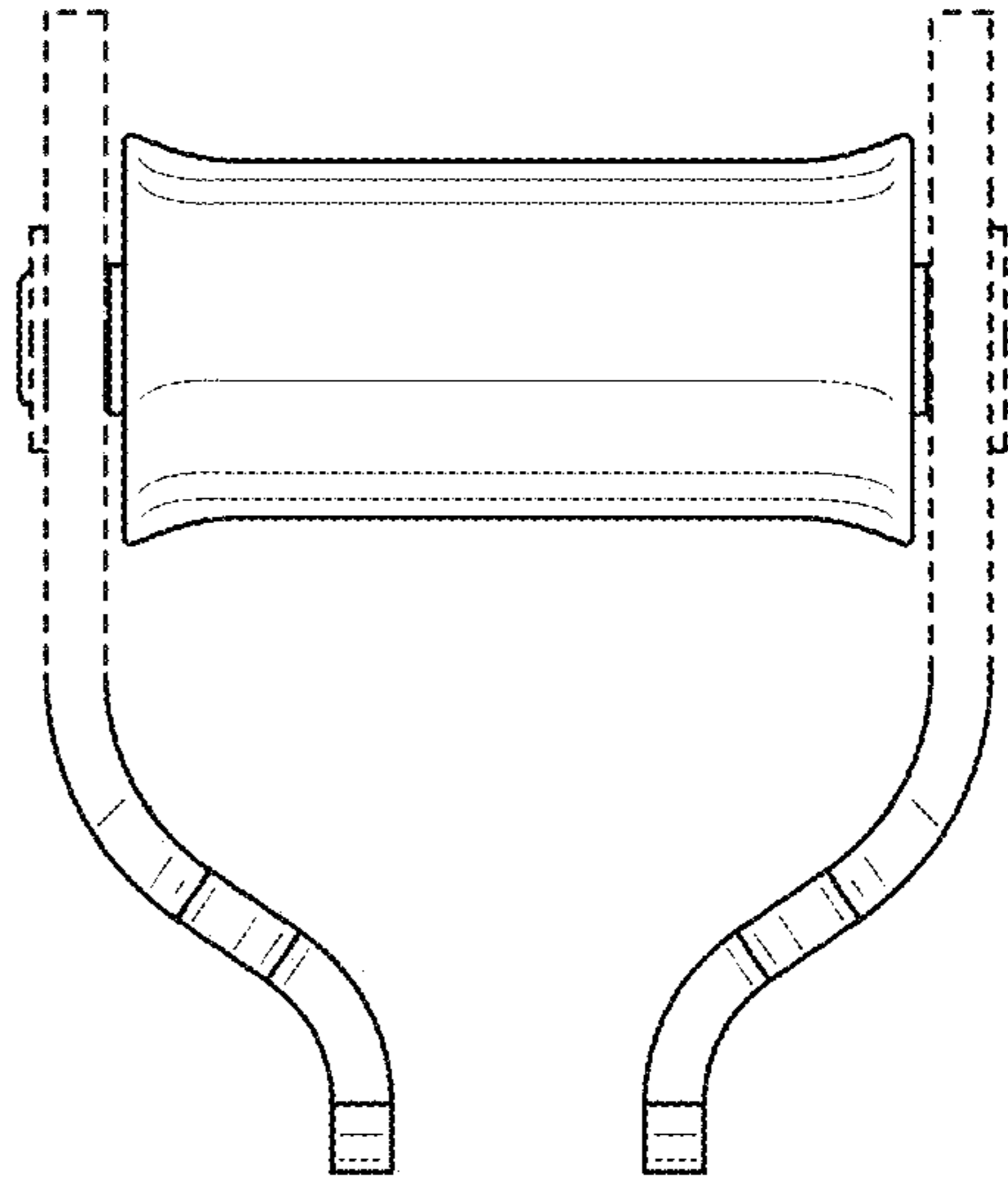


FIG. 2

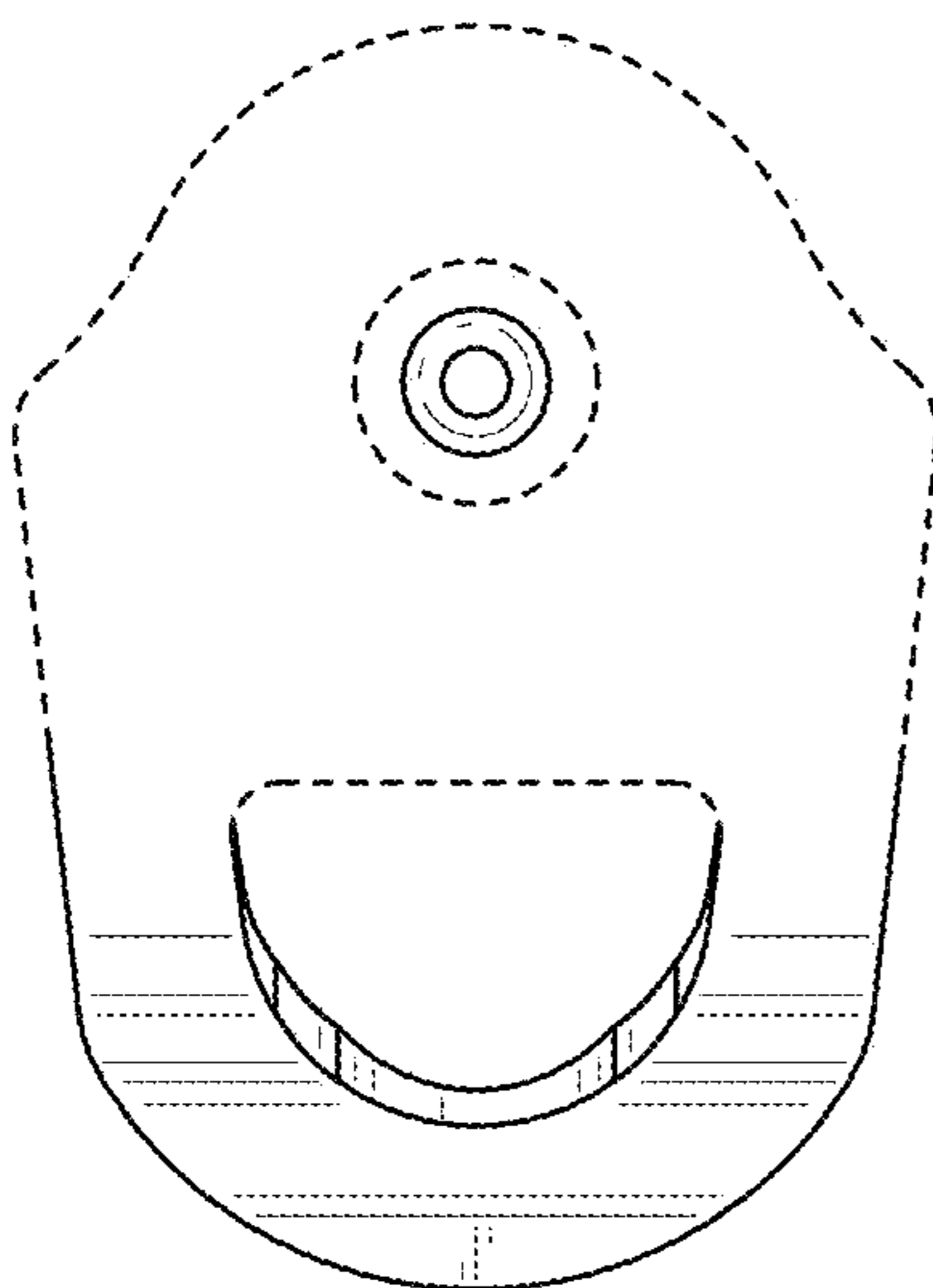


FIG. 3

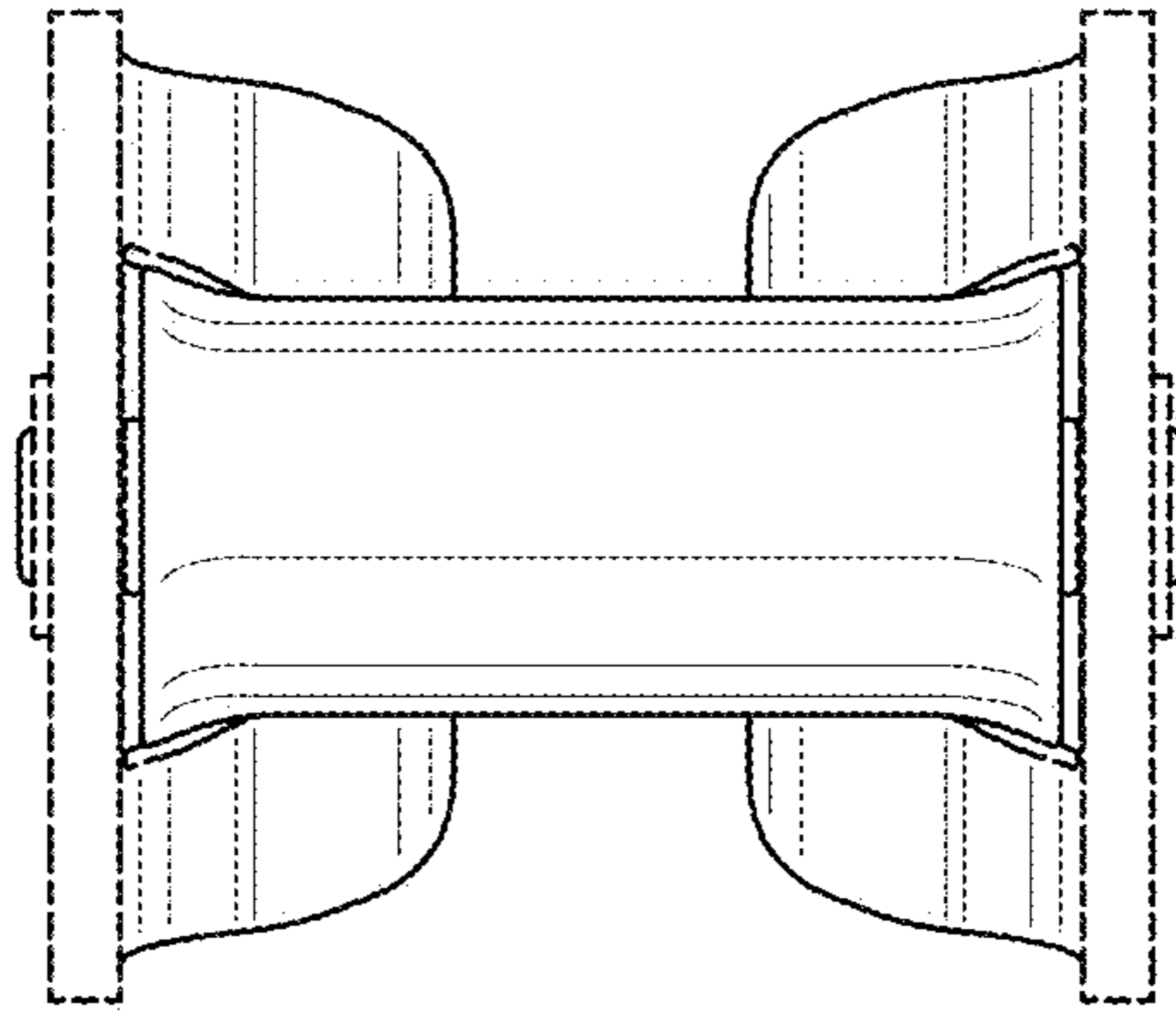


FIG. 4

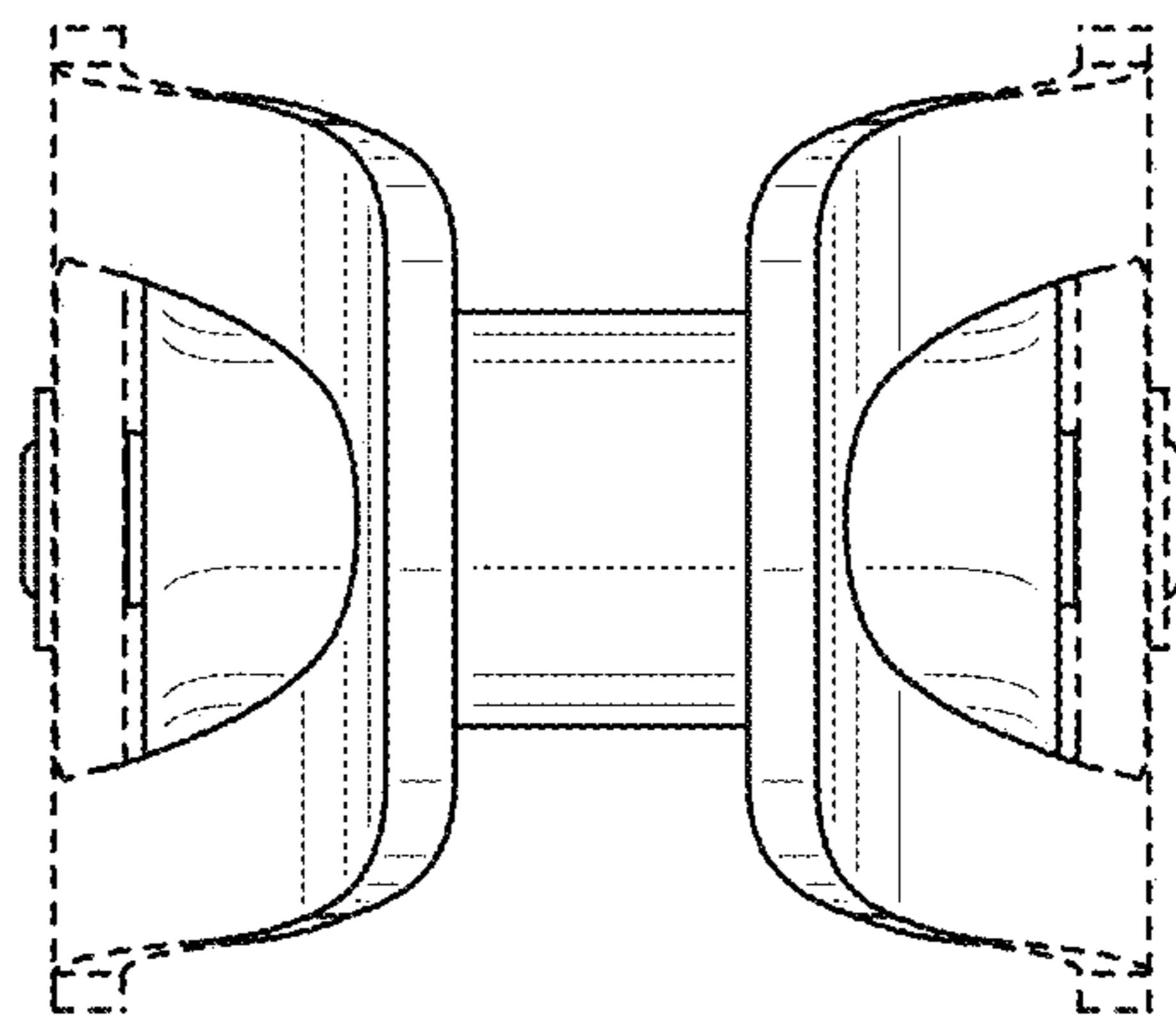


FIG. 5

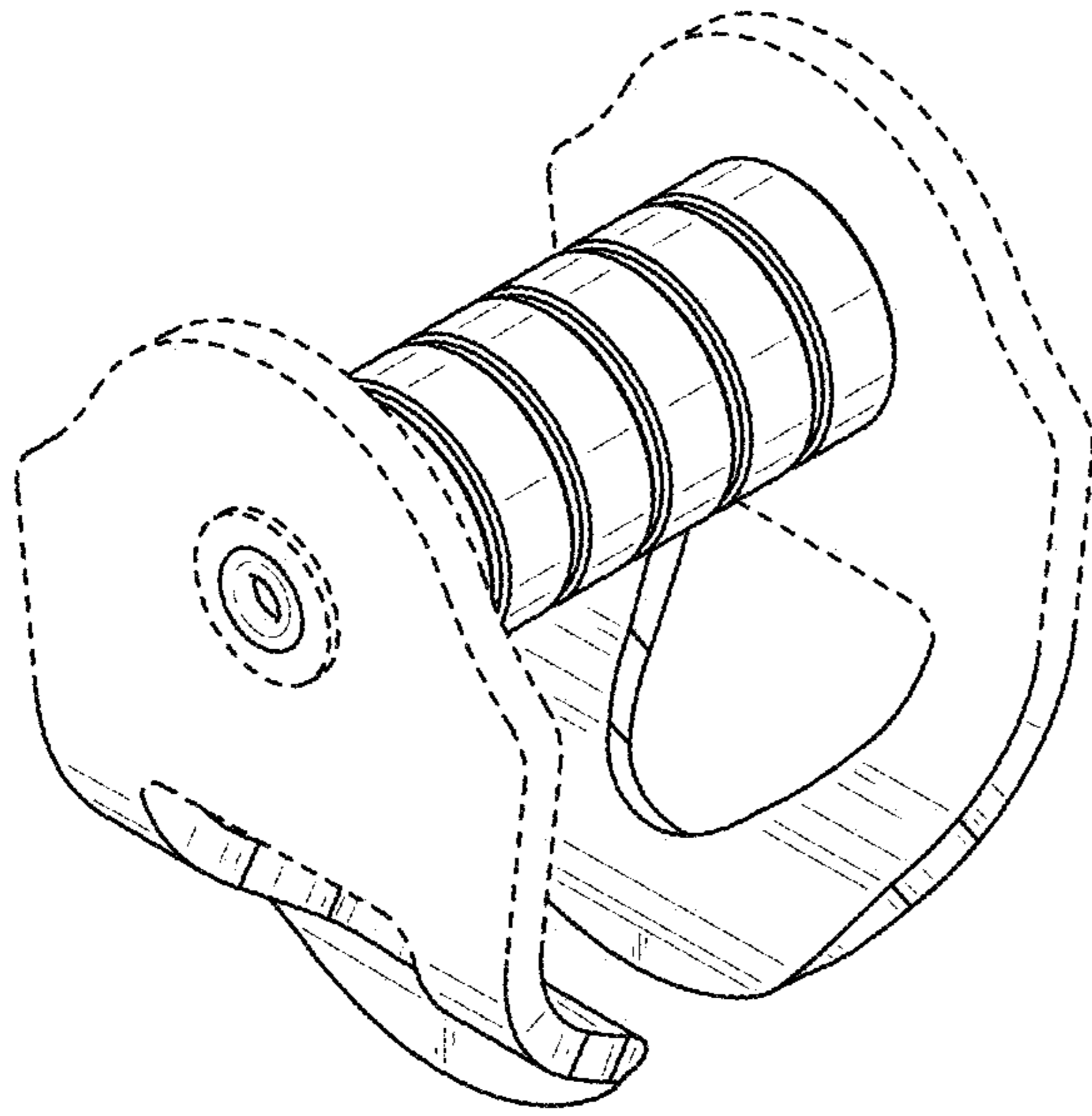


FIG. 6

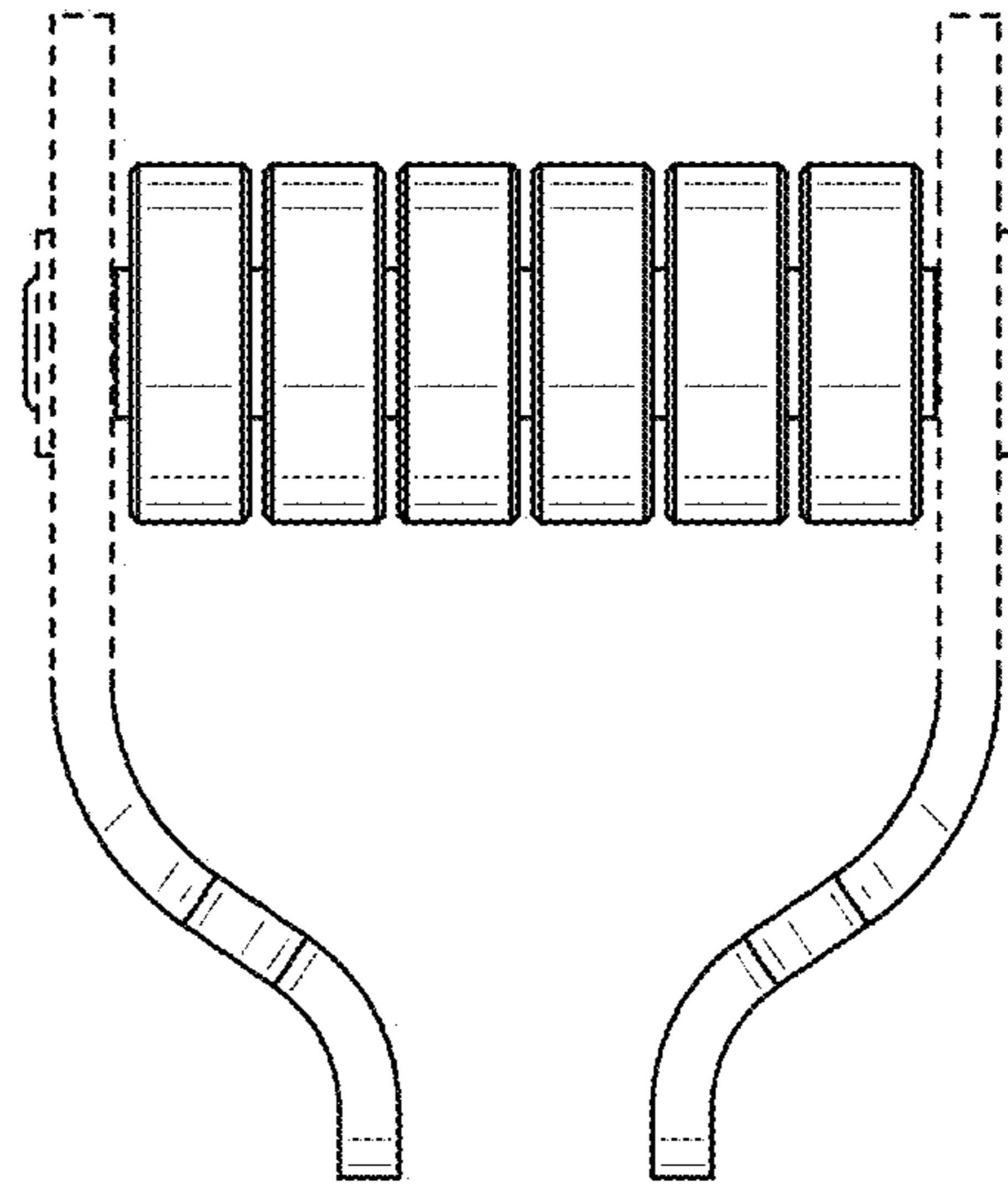


FIG. 7

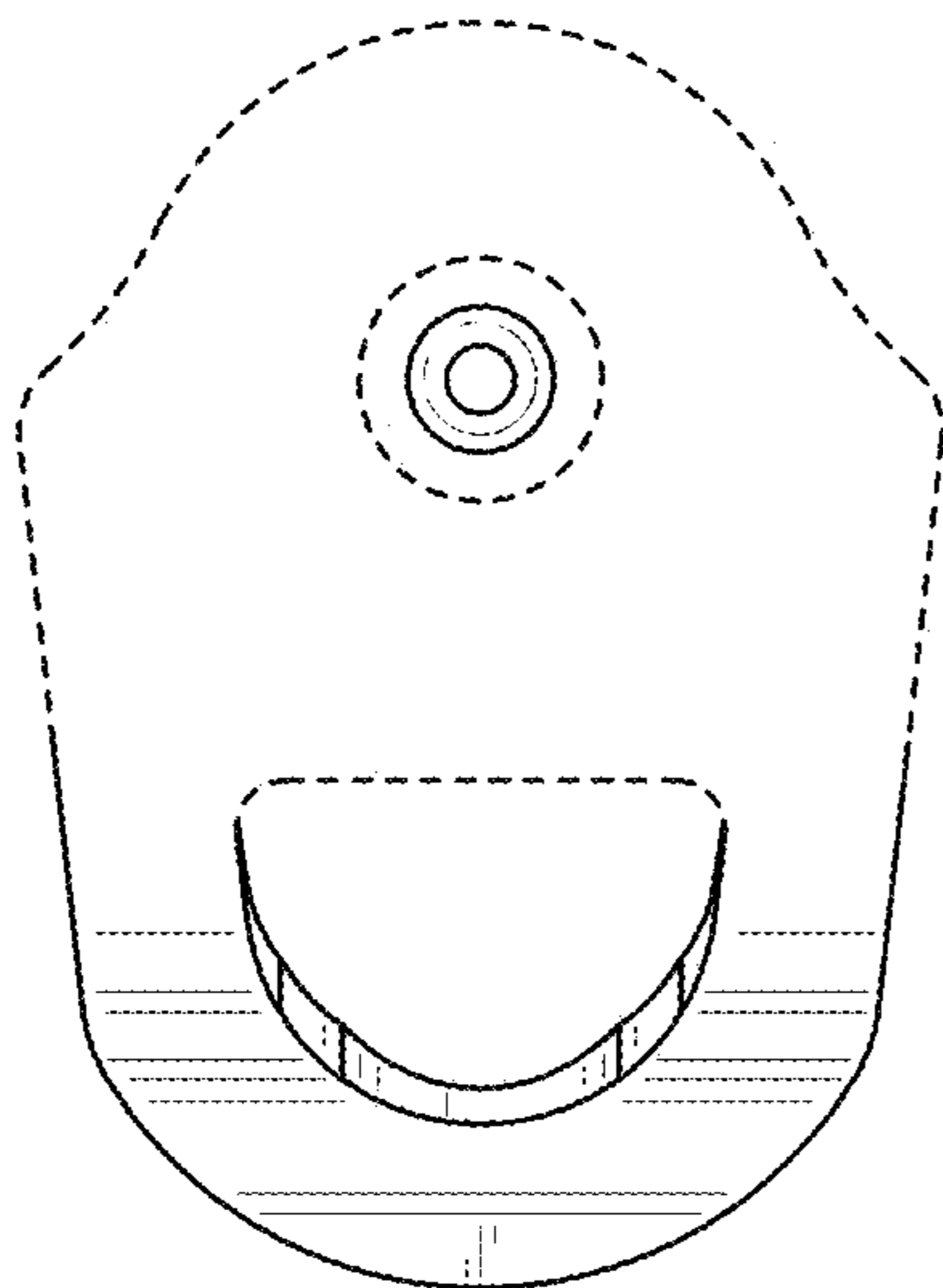


FIG. 8

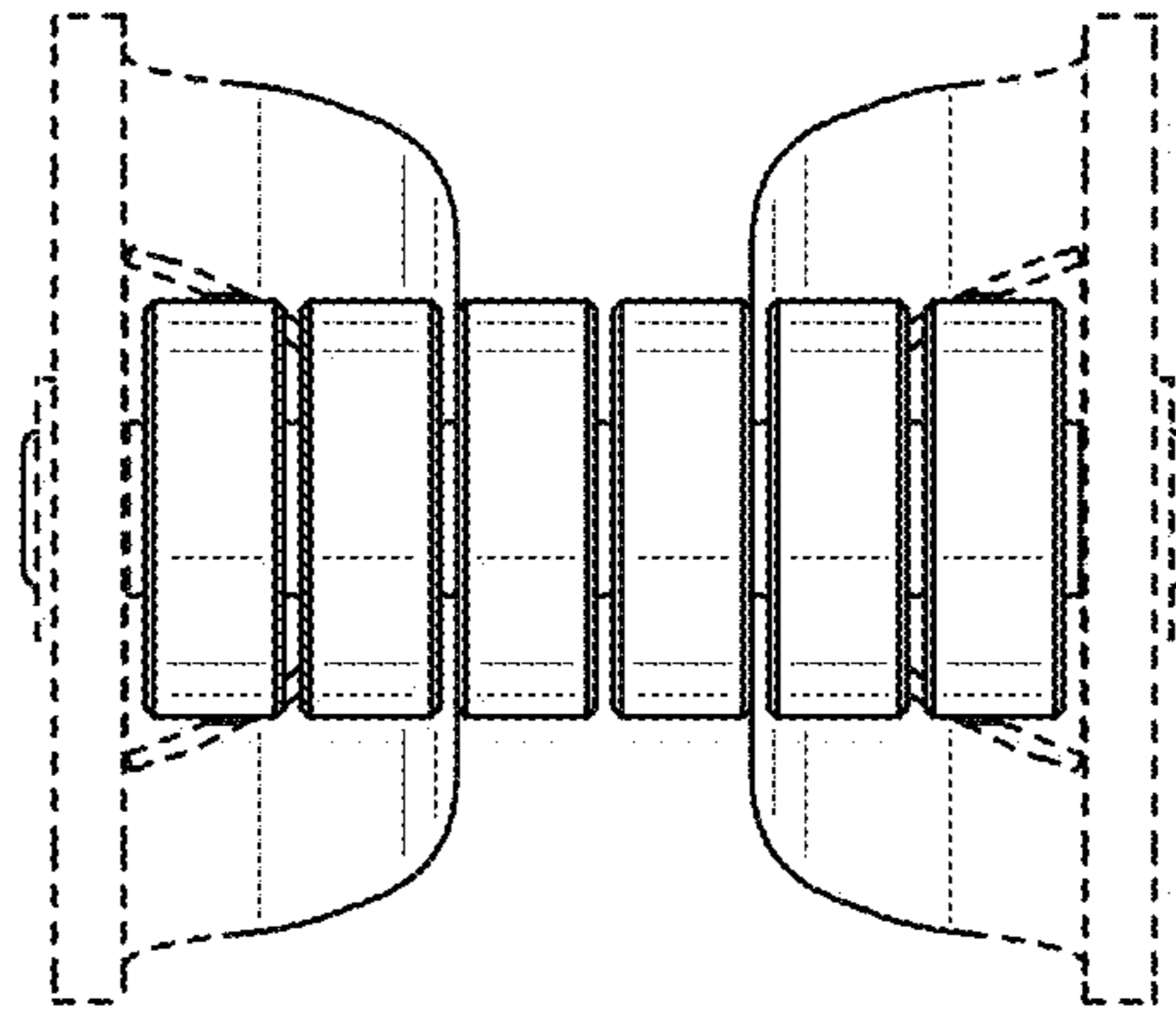


FIG. 9

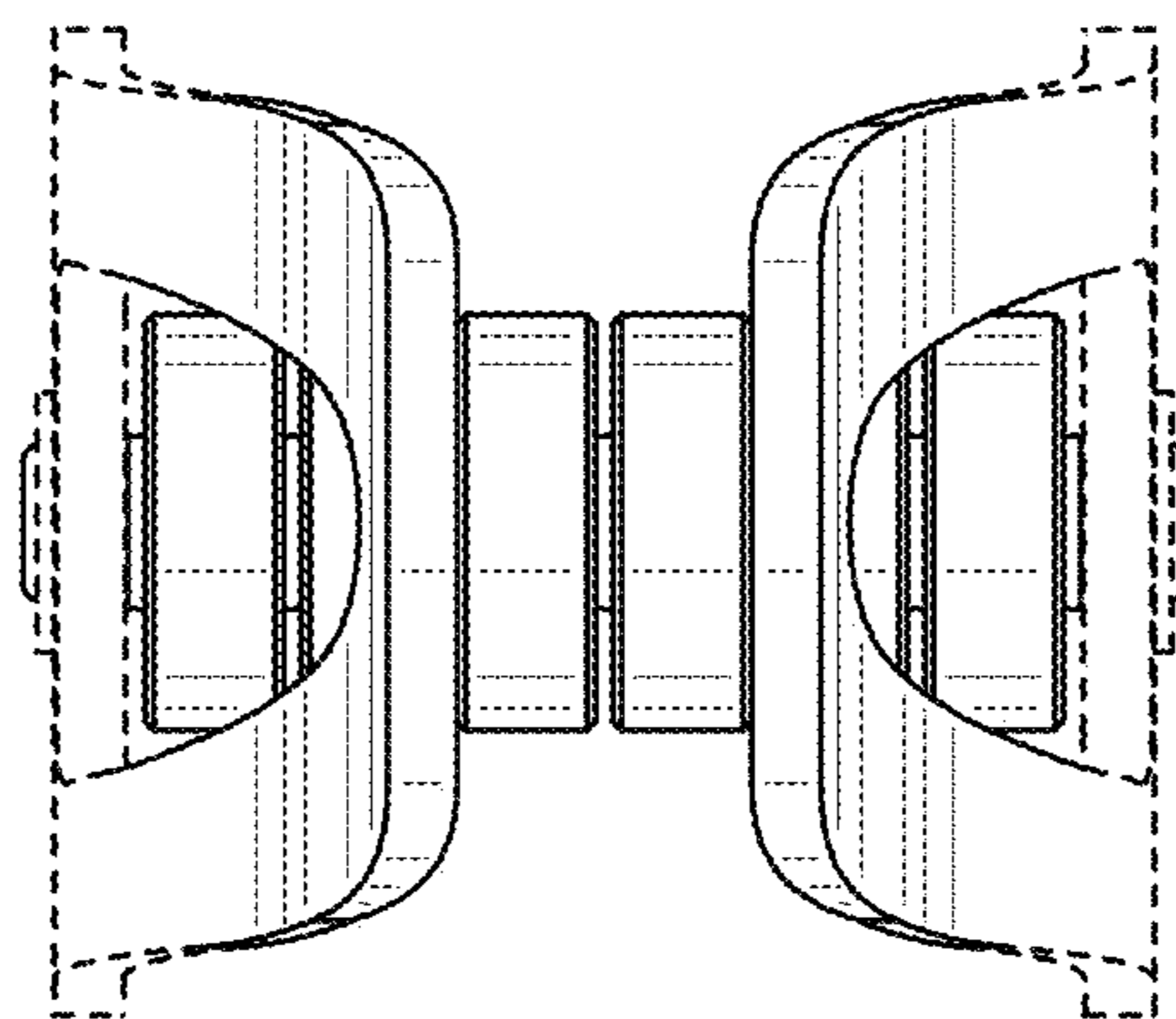


FIG. 10