



US00D977949S

(12) **United States Design Patent** (10) **Patent No.:** **US D977,949 S**
Li (45) **Date of Patent:** **** Feb. 14, 2023**

(54) **CORD ORGANIZER**
(71) Applicant: **Binbin Li**, Yuanjiang (CN)
(72) Inventor: **Binbin Li**, Yuanjiang (CN)
(**) Term: **15 Years**
(21) Appl. No.: **29/859,027**
(22) Filed: **Nov. 7, 2022**
(51) **LOC (14) Cl.** **09-06**
(52) **U.S. Cl.**
USPC **D8/356**
(58) **Field of Classification Search**
USPC D8/349, 356-358, 382-385, 394, 395;
D13/155; D6/315, 327, 513
CPC B65H 75/366; B65H 75/364; B65H 75/34;
B65H 75/4442; B65H 54/60; B65H
75/285; Y10T 24/39; Y10T 24/3444
See application file for complete search history.

5,161,720 A * 11/1992 Kolton A47G 25/743
D6/327
5,328,068 A * 7/1994 Shannon B60R 7/10
224/927
5,458,241 A * 10/1995 Brown B65H 75/06
206/419
D647,709 S * 11/2011 Anderson D6/315
D755,043 S * 5/2016 Bailey D8/394
10,464,779 B1 * 11/2019 Kammer A47F 7/0028
D885,869 S 6/2020 Moldvaer
D929,851 S 9/2021 Deng
D935,308 S * 11/2021 Liu D8/356
2009/0302148 A1 * 12/2009 Auclair B65D 85/04
242/588.2

* cited by examiner

Primary Examiner — Lauren R Calve
(74) *Attorney, Agent, or Firm* — Daniel M. Cohn;
Howard M. Cohn

(57) **CLAIM**

The ornamental design for a cord organizer, as shown and described.

(56) **References Cited**

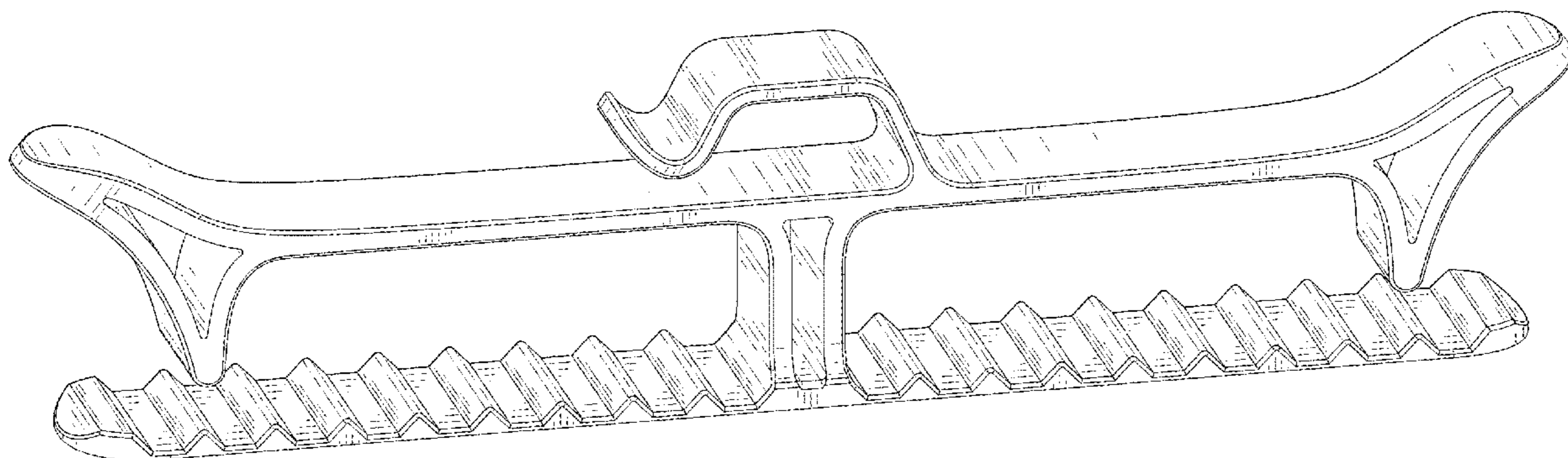
U.S. PATENT DOCUMENTS

D188,323 S * 7/1960 Johnson D8/356
3,900,181 A * 8/1975 Pitanis A47F 5/0006
248/340
D242,598 S * 12/1976 Kunstlicher B65H 75/06
D8/358
4,557,516 A * 12/1985 Usner A47G 25/1457
294/143
4,778,125 A * 10/1988 Hu H02G 11/02
242/402
5,064,067 A * 11/1991 McAllister B65H 75/06
242/613.3

DESCRIPTION

FIG. 1 is a perspective view of a cord organizer showing my new design;
FIG. 2 is another perspective view thereof;
FIG. 3 is a front elevational view thereof;
FIG. 4 is a rear elevational view thereof;
FIG. 5 is a left side elevational view thereof;
FIG. 6 is a right side elevational view thereof;
FIG. 7 is a top plan view thereof; and,
FIG. 8 is a bottom plan view thereof.

1 Claim, 8 Drawing Sheets



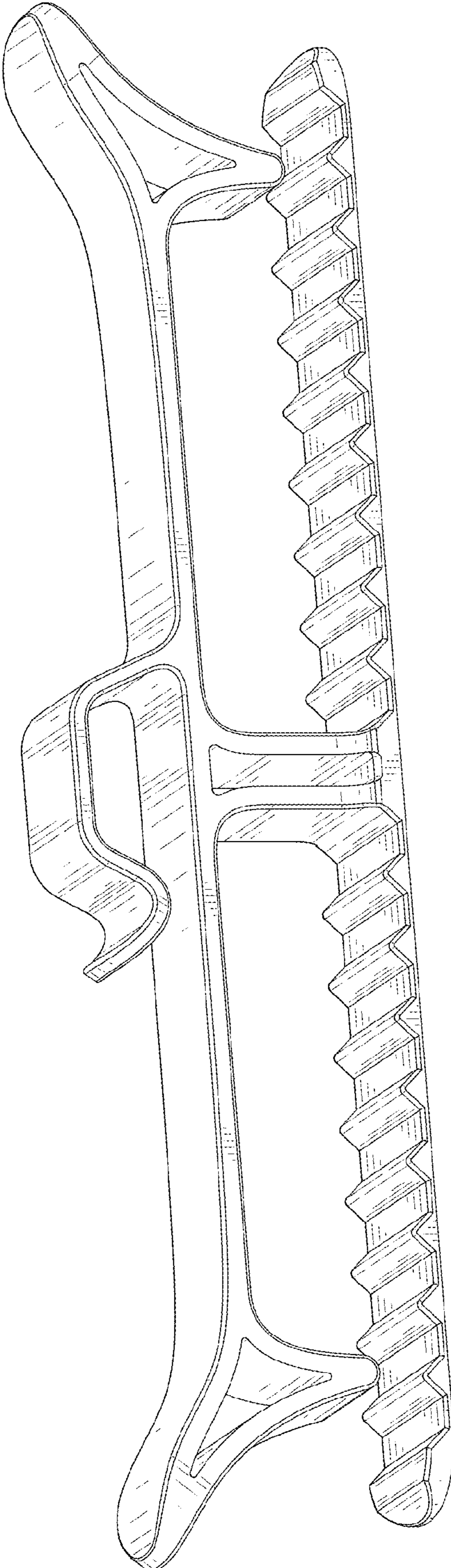


FIG. 1

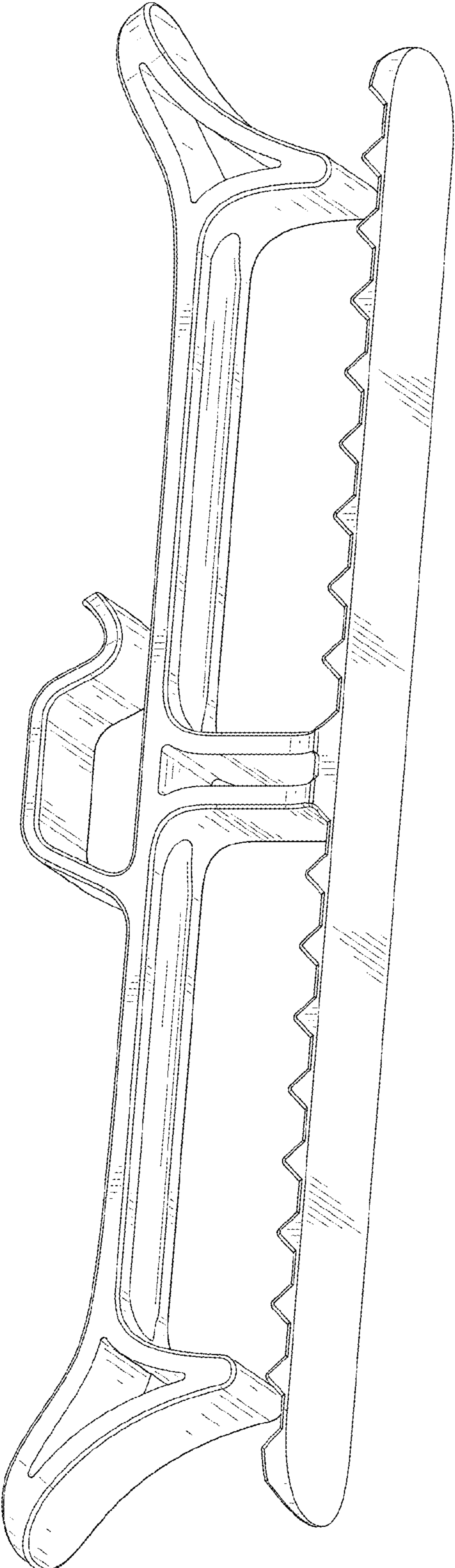


FIG. 2

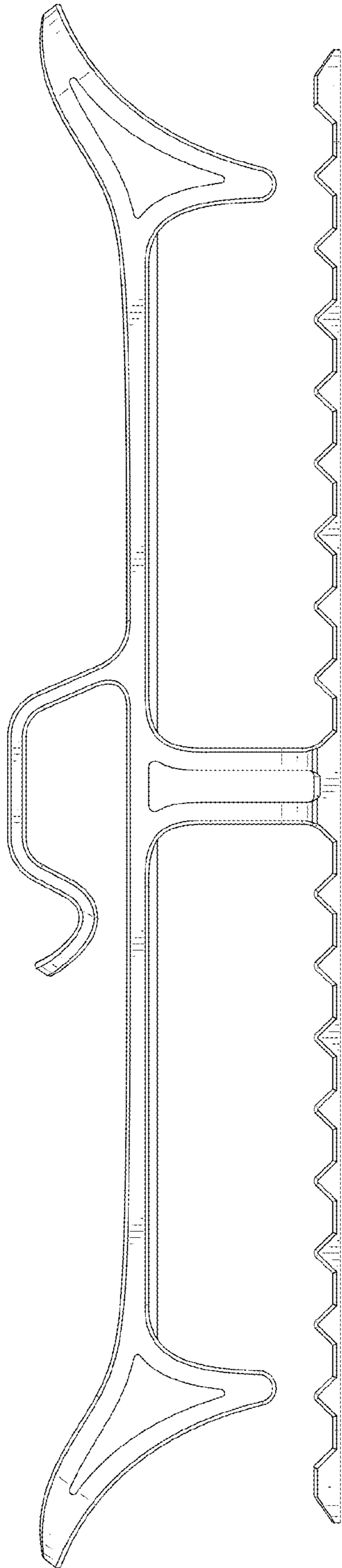


FIG. 3

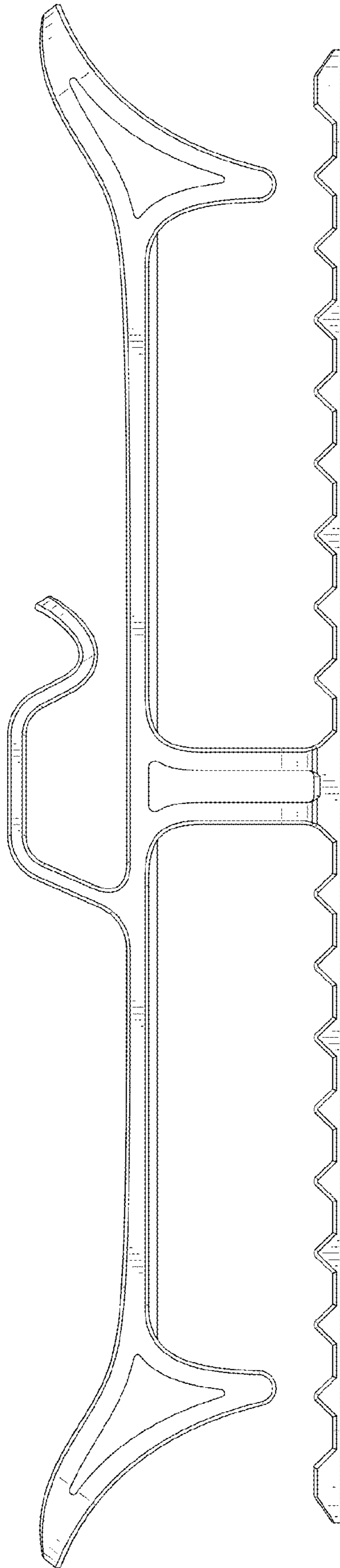


FIG. 4

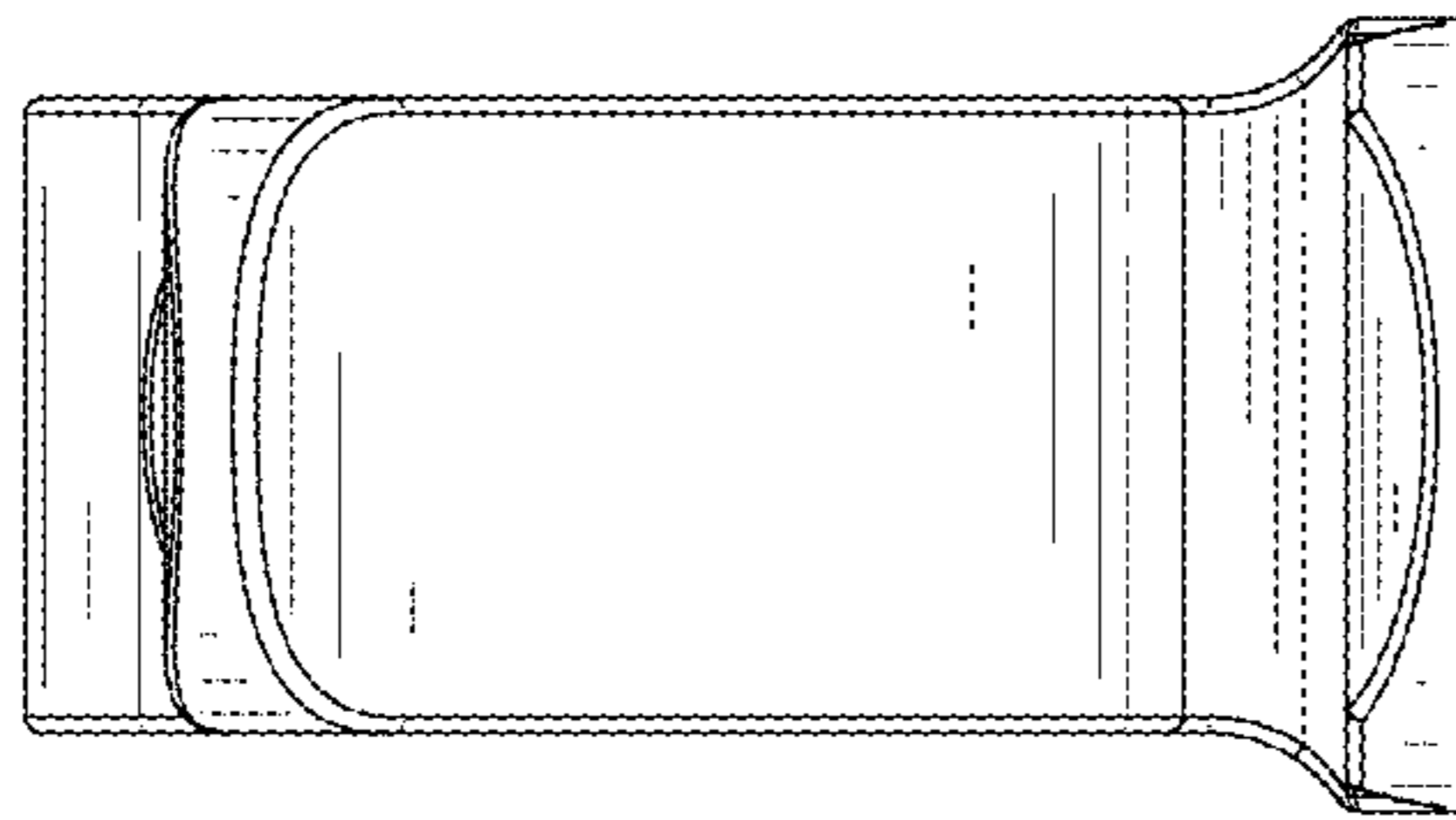


FIG. 5

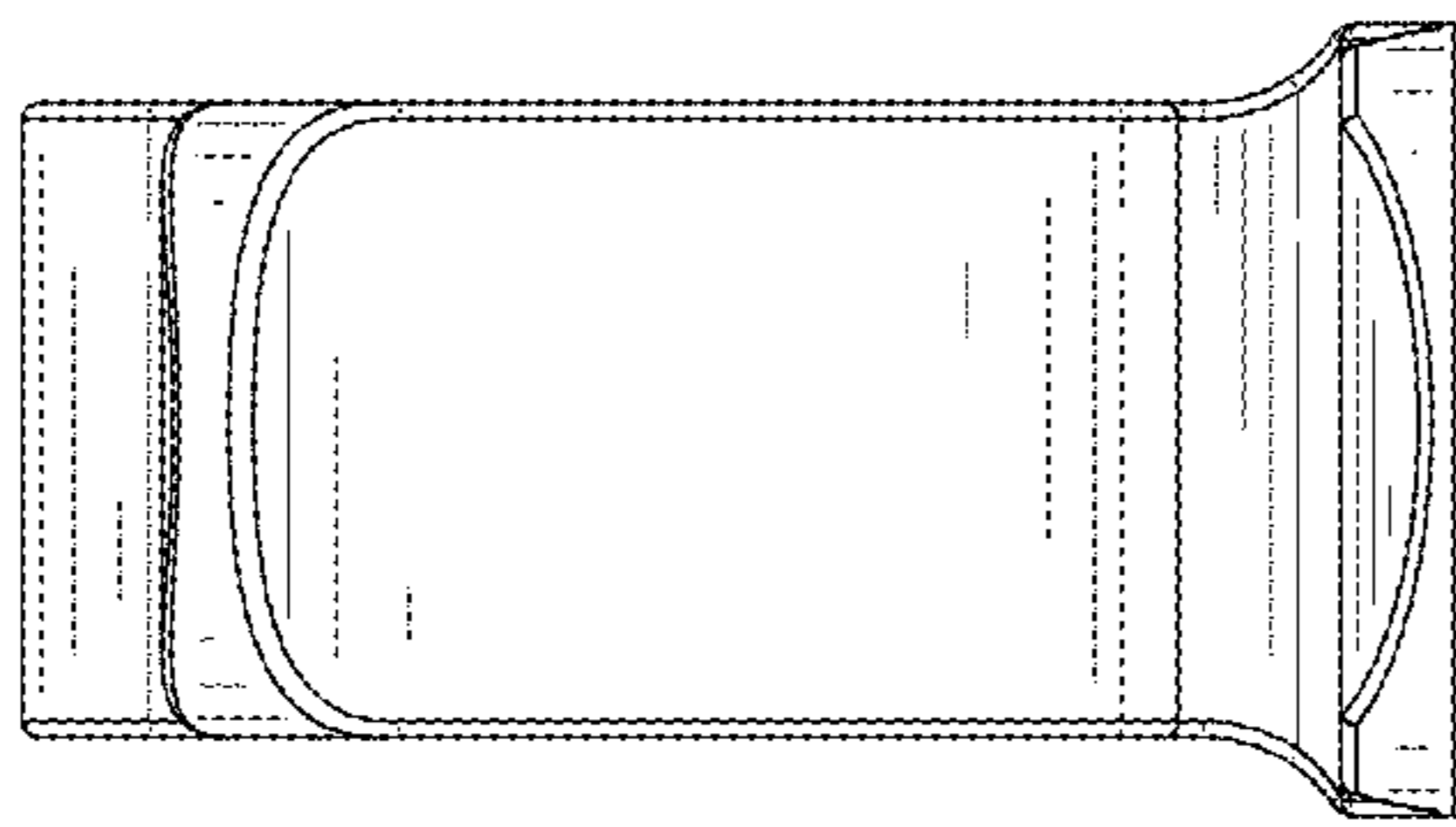


FIG. 6

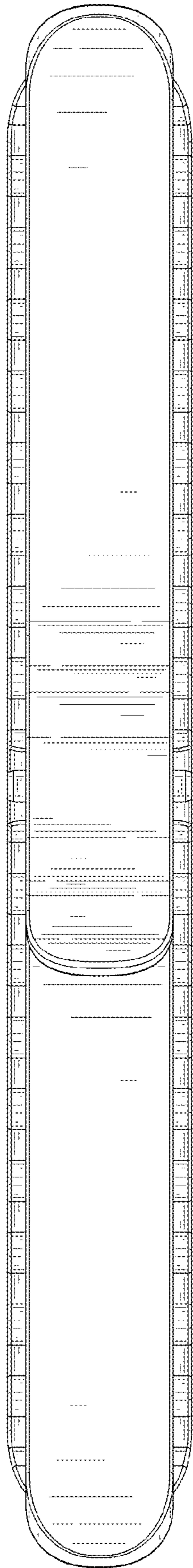


FIG. 7

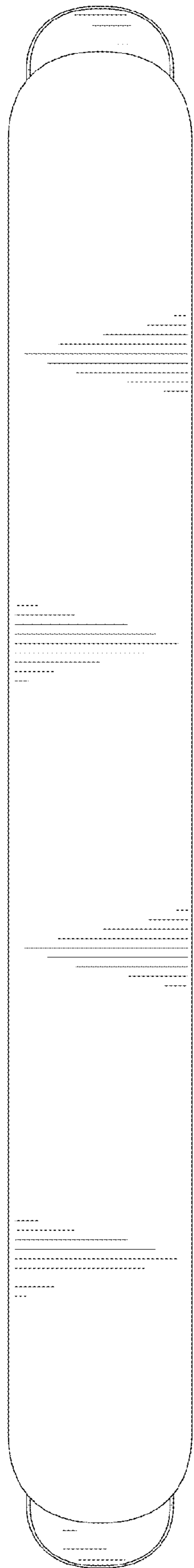


FIG. 8