



US00D977947S

(12) **United States Design Patent**
Morris, II

(10) **Patent No.:** **US D977,947 S**
(45) **Date of Patent:** **** Feb. 14, 2023**

- (54) **TOP RAIL SPACER**
- (71) Applicant: **Safe Rack LLC**, Andrews, SC (US)
- (72) Inventor: **Theron Randall Morris, II**, Andrews, SC (US)
- (73) Assignee: **SAFE RACK LLC**, Andrews, SC (US)
- (**) Term: **15 Years**
- (21) Appl. No.: **29/745,569**
- (22) Filed: **Aug. 6, 2020**
- (51) **LOC (14) Cl.** **08-05**
- (52) **U.S. Cl.**
USPC **D8/354**
- (58) **Field of Classification Search**
USPC D8/354, 358, 363, 366, 373, 375, 379, D8/382, 400-402, 404, 499, 46, 300, D8/321-322, 383-384, 387, 397, 399, D8/356, 364-365, 374, 376-377, D8/380-381; D11/89, 132, 93, 79, 80; D12/223, 414, 400, 406; D25/61, 102, D25/119-122, 133, 138, 140, 164, 199
CPC E04C 5/201; E04C 5/168; E04C 5/203; E04C 5/205; A47B 1/10; A47B 21/03; B65H 75/4471; B65H 2701/34; B65H 75/40; B65H 75/4473
See application file for complete search history.

- D704,035 S * 5/2014 Wills D8/355
- 9,211,762 B1 * 12/2015 Tsai B60B 33/0042
- D775,933 S * 1/2017 Hill D8/349
- D775,934 S * 1/2017 Hill D8/349
- D795,061 S * 8/2017 Bacallao D9/434
- 10,184,267 B2 1/2019 Kuo et al.
- D851,481 S * 6/2019 Blom D6/546
- D879,591 S * 3/2020 Weinerman D8/354
- D880,280 S * 4/2020 Weinerman D8/354
- D945,054 S * 3/2022 Williams F21V 13/04
D26/142
- D946,128 S * 3/2022 Forrestal D23/262
- D949,665 S * 4/2022 Sommer D8/367
- D949,671 S * 4/2022 French D8/373
- D951,531 S * 5/2022 Chen D26/138

(Continued)

FOREIGN PATENT DOCUMENTS

- KR 200464339 12/2012
- KR 101570672 11/2015

Primary Examiner — Karen S Acker
Assistant Examiner — Elizabeth S Ko
 (74) *Attorney, Agent, or Firm* — Nelson Mullins Riley & Scarborough LLP

(57) **CLAIM**

The ornamental design for a top rail spacer, substantially as shown and described.

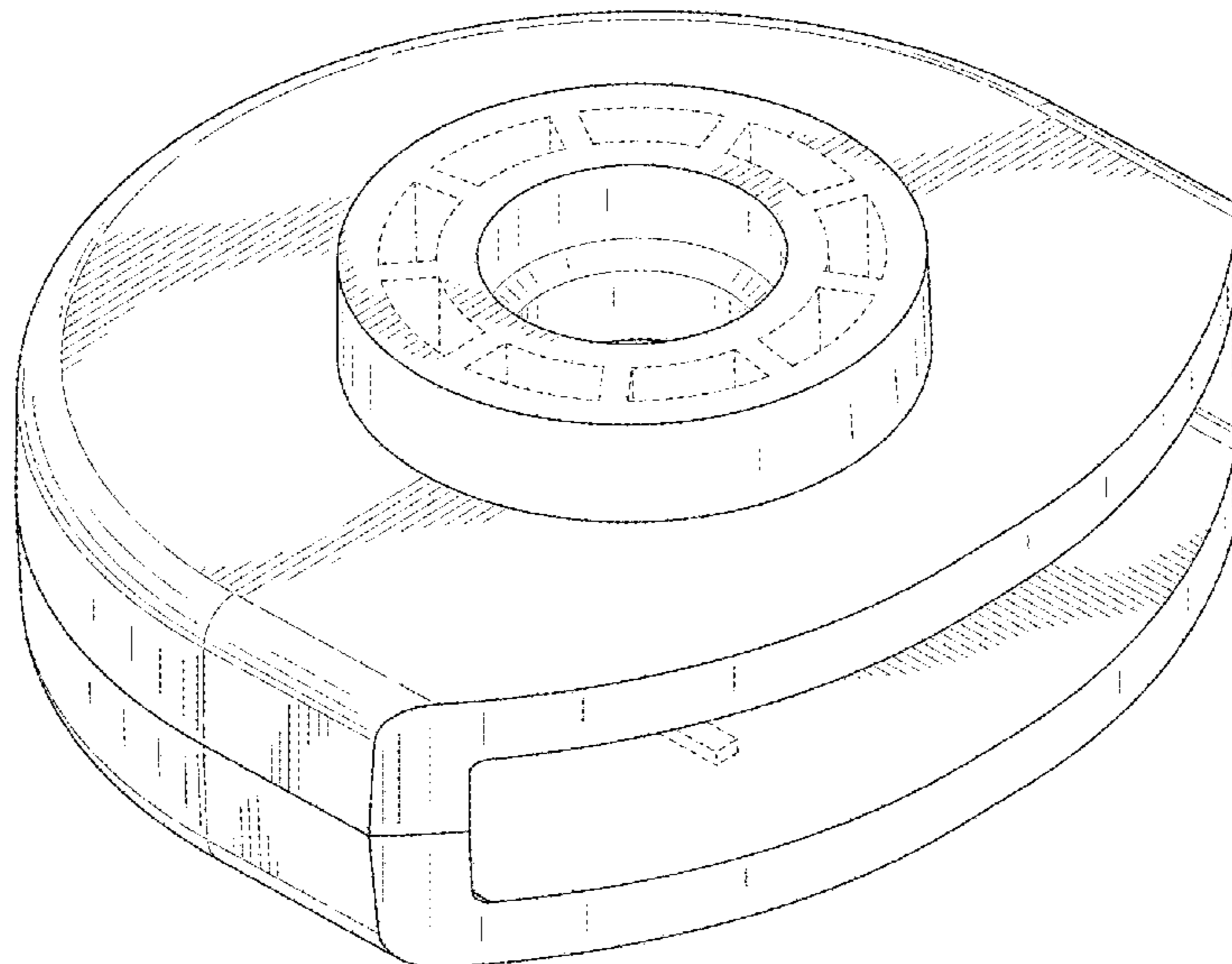
DESCRIPTION

FIG. 1 is a perspective view of a top rail spacer, in accordance with my new design;
 FIG. 2 is a bottom view thereof;
 FIG. 3 is a top view thereof;
 FIG. 4 is a left side elevation view thereof;
 FIG. 5 is a right side elevational view thereof;
 FIG. 6 is a front side elevational view thereof; and,
 FIG. 7 is a back side elevational view thereof.
 The broken lines in the drawings depict portions of the top rail spacer that form no part of the claimed design.

1 Claim, 7 Drawing Sheets

(56) **References Cited**
U.S. PATENT DOCUMENTS

- 4,928,930 A 5/1990 Chung
- 6,290,213 B1 9/2001 Laird et al.
- D549,556 S * 8/2007 Christie D8/354
- D585,268 S * 1/2009 Woolley D8/380
- 7,540,472 B2 6/2009 Striebel et al.
- 8,398,058 B2 3/2013 Dotsey
- D693,774 S * 11/2013 Scime D13/155
- 8,695,938 B1 4/2014 Rokvic



(56)

References Cited

U.S. PATENT DOCUMENTS

D952,453	S *	5/2022	Lin	D8/396
D956,525	S *	7/2022	Yanase	D8/354
2008/0216290	A1	9/2008	Kroes et al.	
2014/0191177	A1	7/2014	Bailie	
2017/0197463	A1 *	7/2017	Chang	B60B 5/02
2019/0077193	A1 *	3/2019	Chang	B60B 33/045
2020/0155112	A1 *	5/2020	Gross	A61B 7/02

* cited by examiner

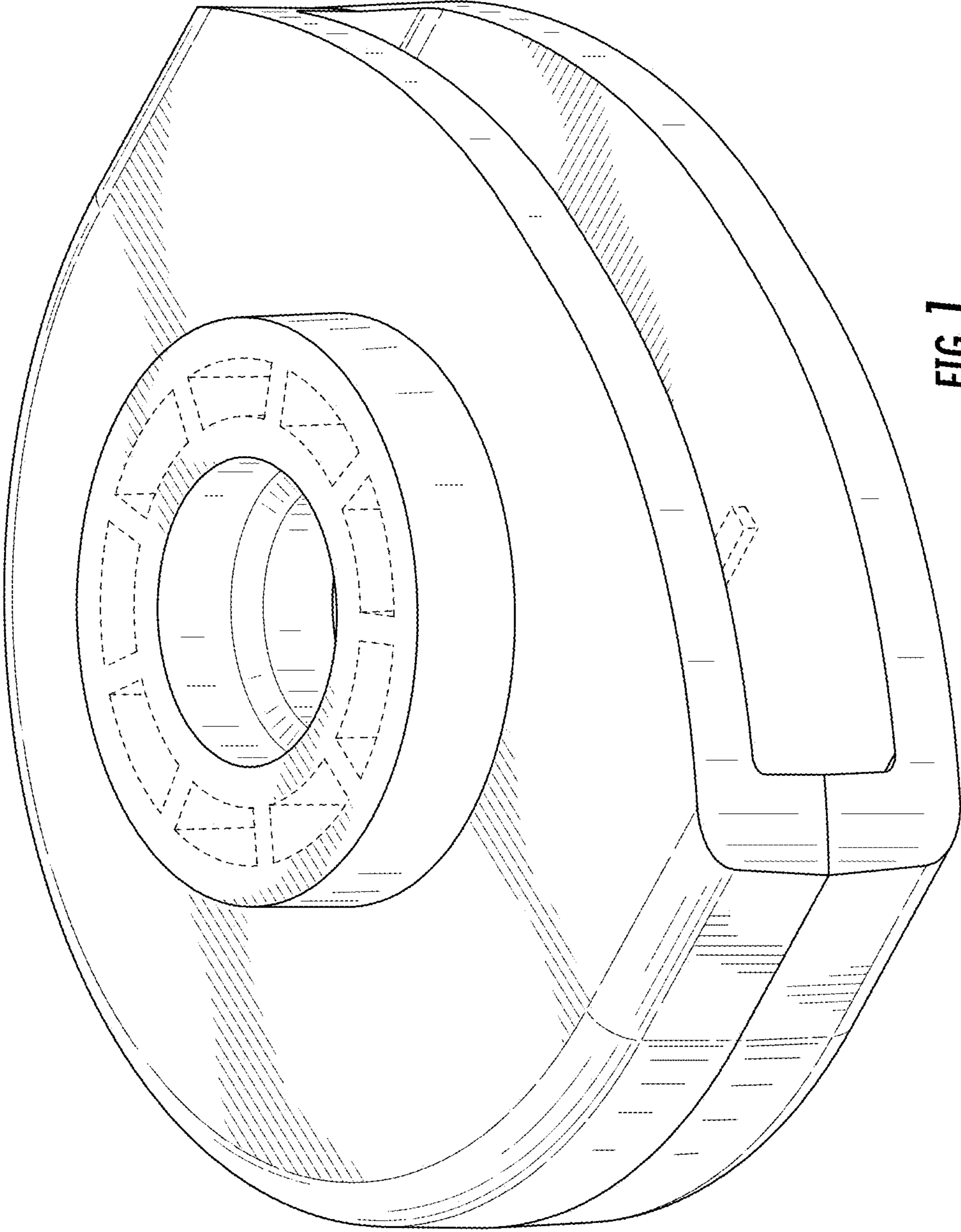


FIG. 1

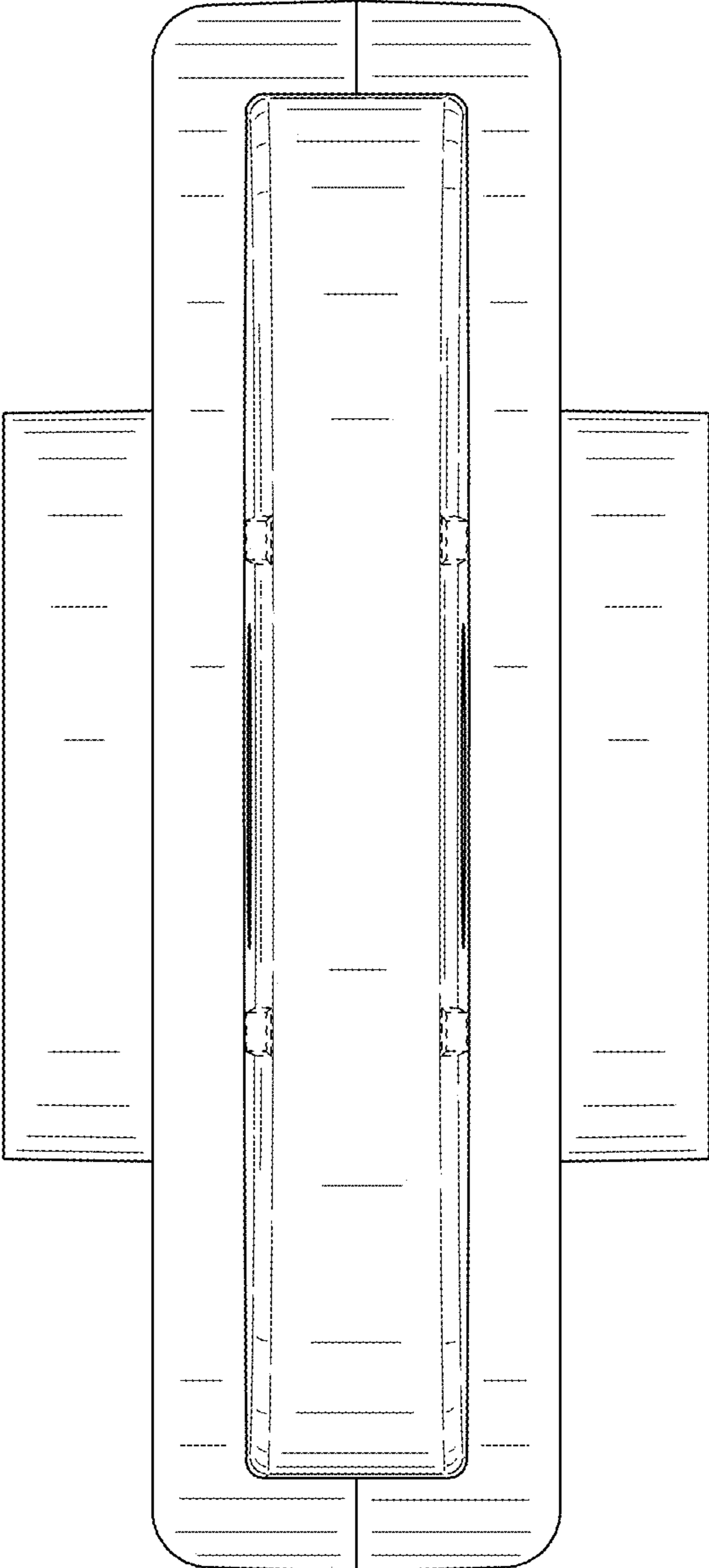


FIG. 2

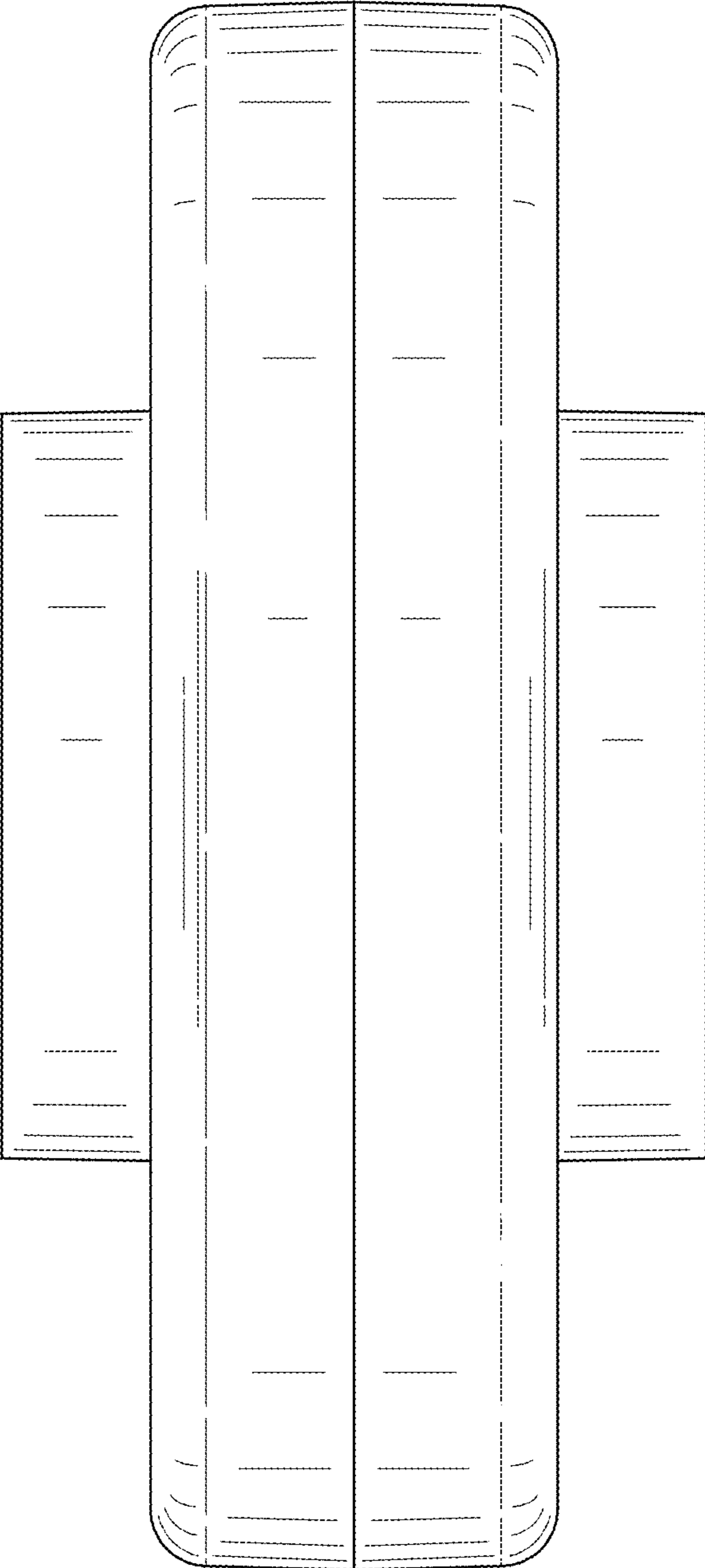


FIG. 3

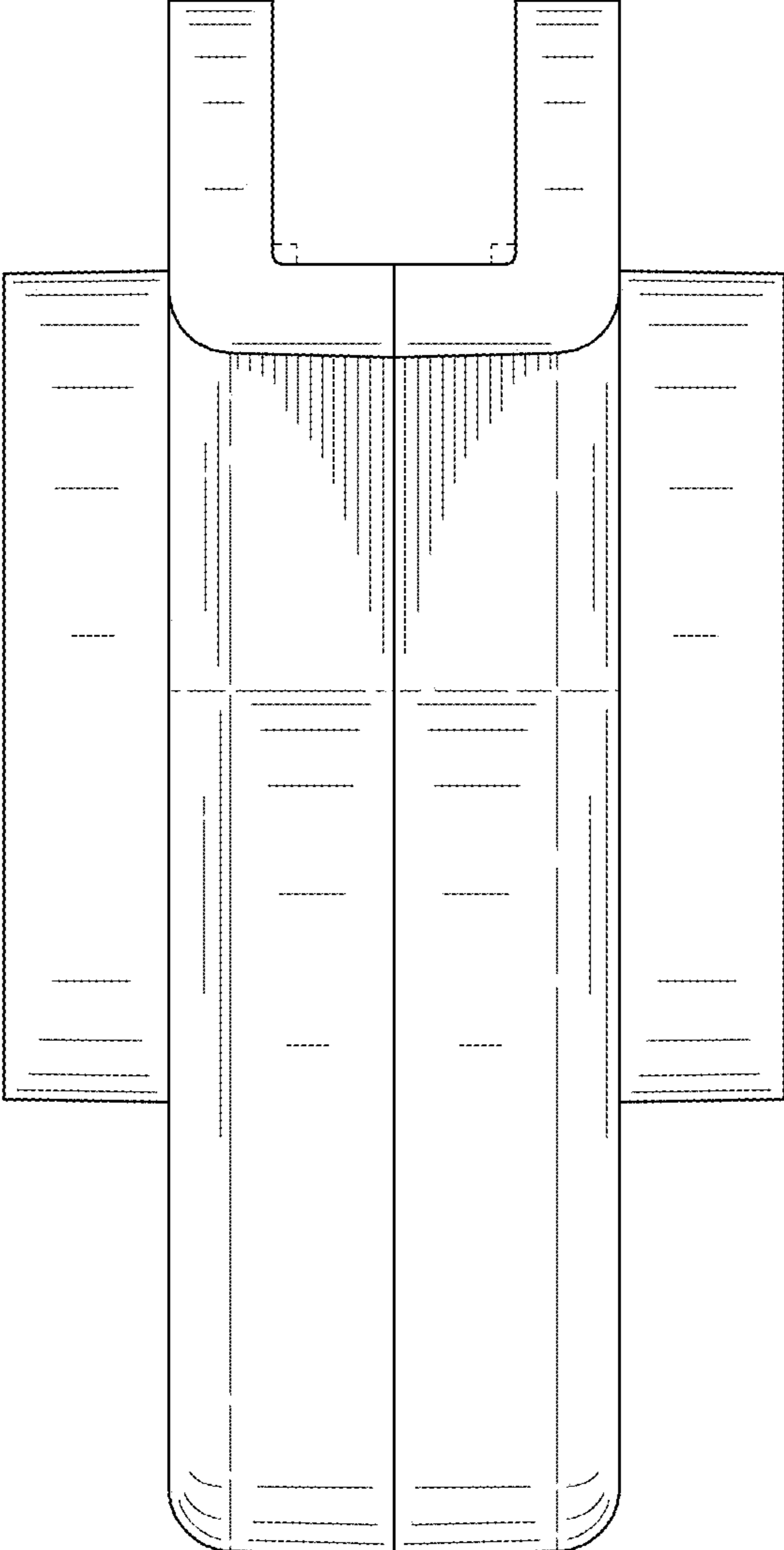


FIG. 4

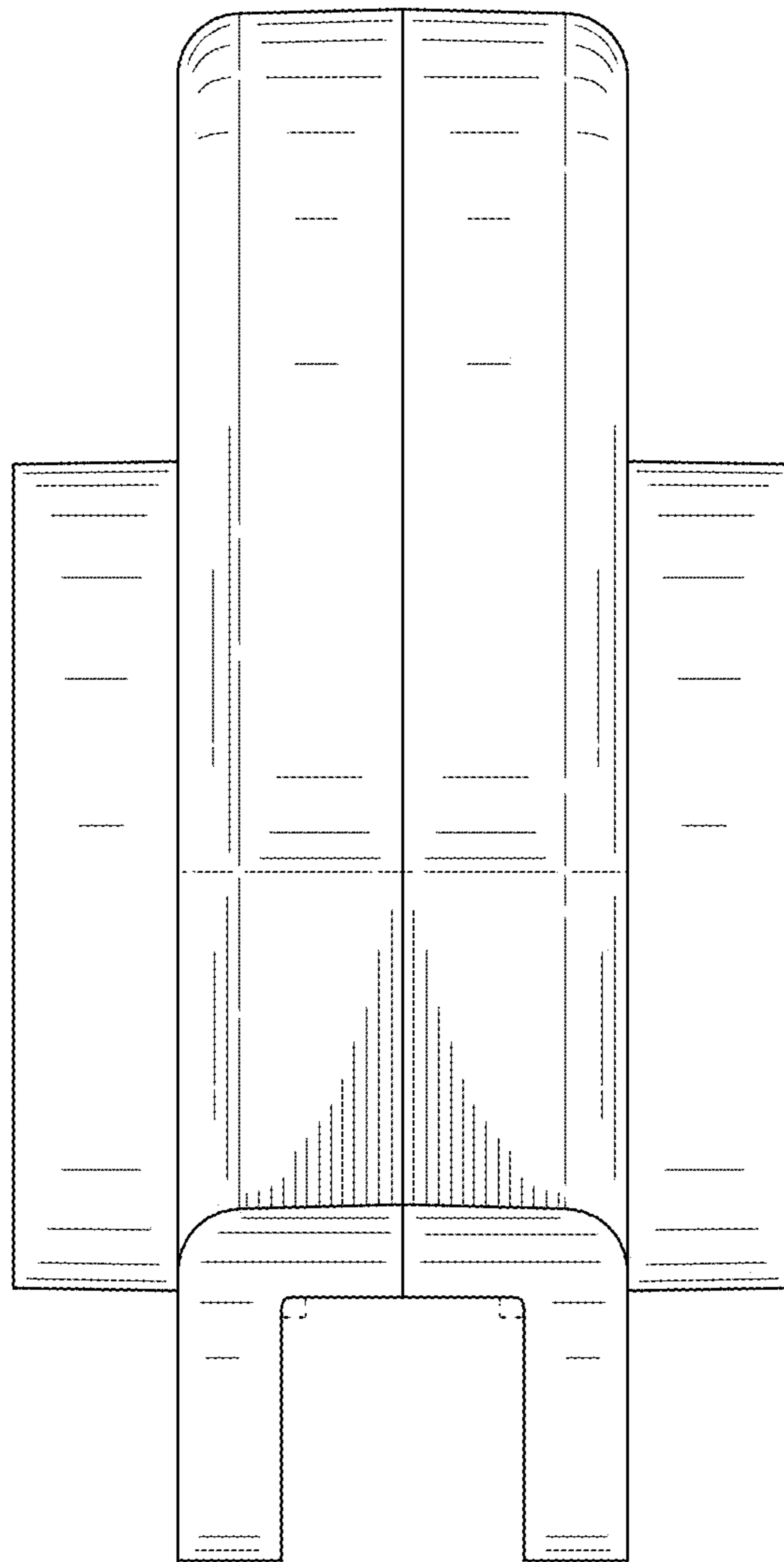


FIG. 5

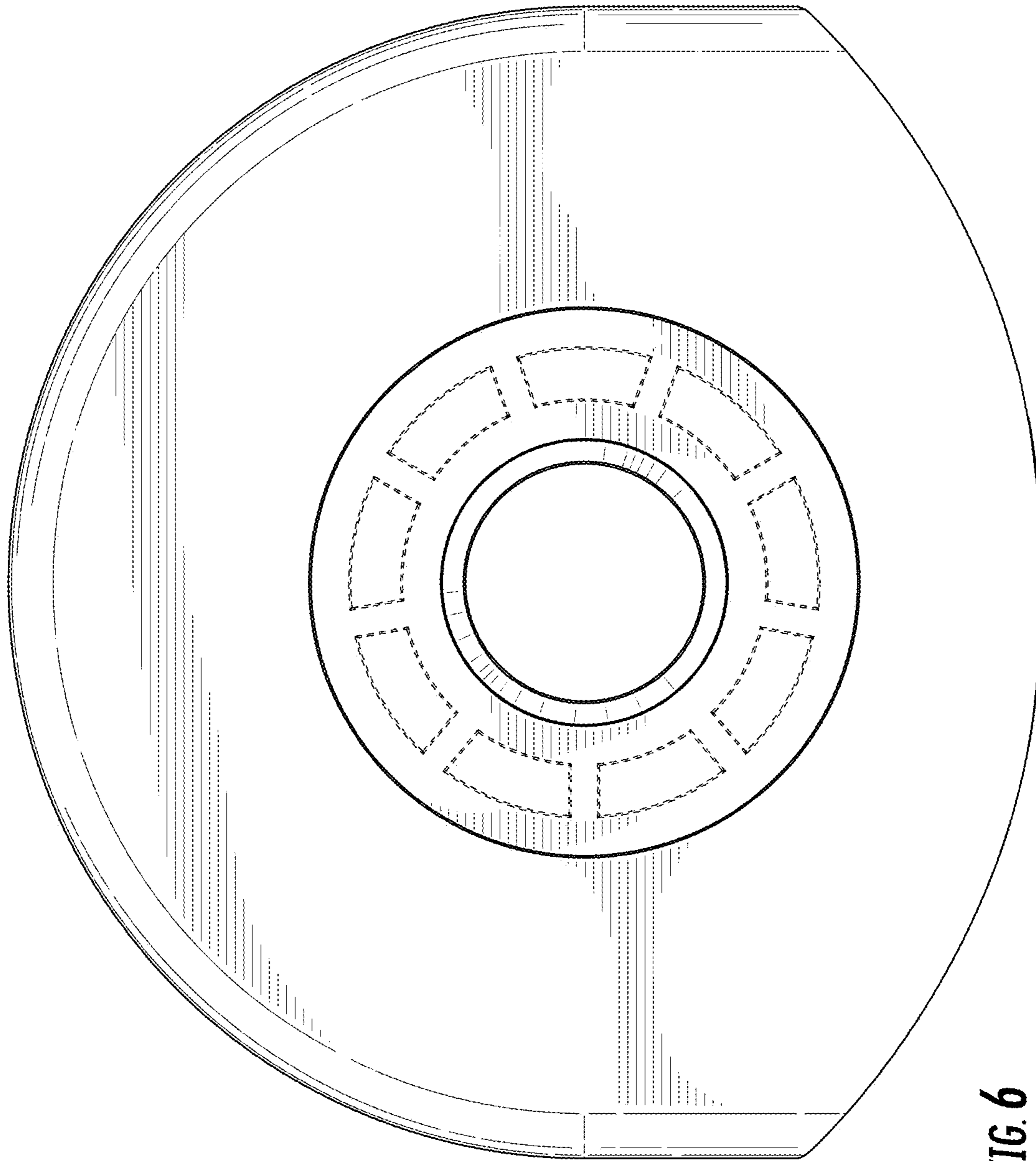


FIG. 6

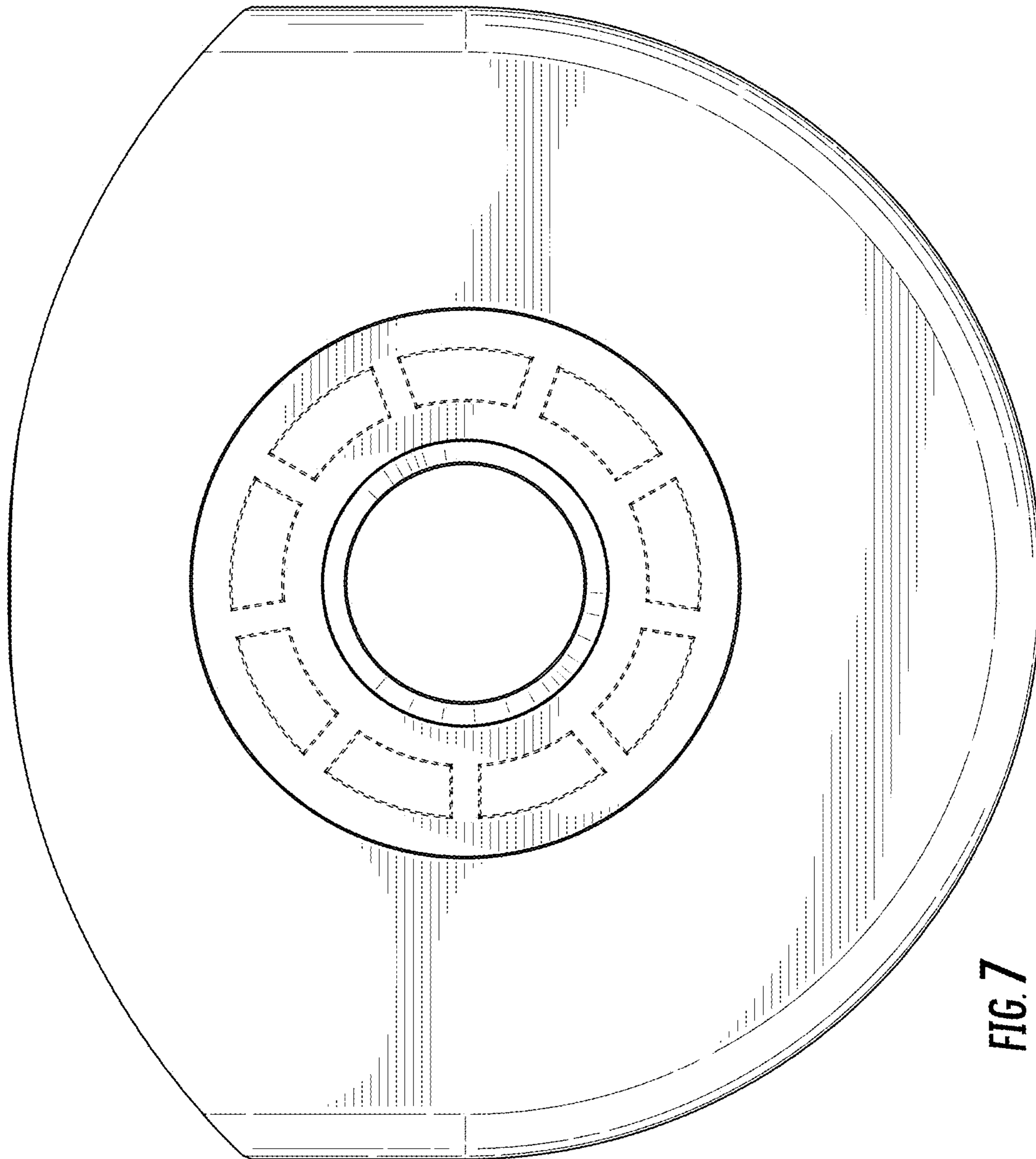


FIG. 7