



US00D977946S

(12) **United States Design Patent**  
**Seo et al.**

(10) **Patent No.:** **US D977,946 S**

(45) **Date of Patent:** **\*\* Feb. 14, 2023**

(54) **BRACKET**

(71) Applicant: **OPTEX CO., LTD.**, Shiga (JP)

(72) Inventors: **Atsushi Seo**, Otsu (JP); **Takeo Hyodo**, Tokyo (JP); **Tomoyuki Ohba**, Tokyo (JP)

(73) Assignee: **OPTEX CO., LTD.**, Shiga (JP)

(\*\*) Term: **15 Years**

(21) Appl. No.: **35/513,496**

(22) Filed: **Jul. 30, 2021**

(80) **Hague Agreement Data**

Int. Filing Date: **Jul. 30, 2021**

Int. Reg. No.: **DM/215616**

Int. Reg. Date: **Jul. 30, 2021**

Int. Reg. Pub. Date: **Feb. 4, 2022**

(51) **LOC (14) Cl.** ..... **08-08**

(52) **U.S. Cl.**  
USPC ..... **D8/349**

(58) **Field of Classification Search**  
USPC ..... D8/354, 363, 367, 380-384, 394, 395,  
D8/399; D12/223, 190, 191; D16/242  
CPC ..... E04H 17/14; E04H 17/1447; E04H 17/16;  
E04H 17/17; H04M 1/04; G03B 17/02;  
F16M 13/00

See application file for complete search history.

(56) **References Cited**

**U.S. PATENT DOCUMENTS**

D387,791 S \* 12/1997 Wen ..... D16/242  
D616,727 S \* 6/2010 Chou ..... D8/354

D630,085 S \* 1/2011 Zant ..... D8/354  
D651,068 S \* 12/2011 Kang ..... D8/363  
D653,190 S \* 1/2012 Richter ..... D12/407  
D704,040 S \* 5/2014 Kosaku ..... D8/394  
D876,528 S \* 2/2020 Sequeira de Sousa ..... D16/242  
D894,715 S \* 9/2020 Pardini ..... D8/349  
D953,408 S \* 5/2022 Liu ..... D12/415  
2010/0320341 A1 \* 12/2010 Baumann ..... F16B 47/006  
248/299.1  
2012/0043451 A1 \* 2/2012 Alexander ..... G03B 17/561  
248/551

\* cited by examiner

*Primary Examiner* — Richard Kearney

*Assistant Examiner* — Benjamin M Weeks

(74) *Attorney, Agent, or Firm* — Stuebaker & Brackett  
PC

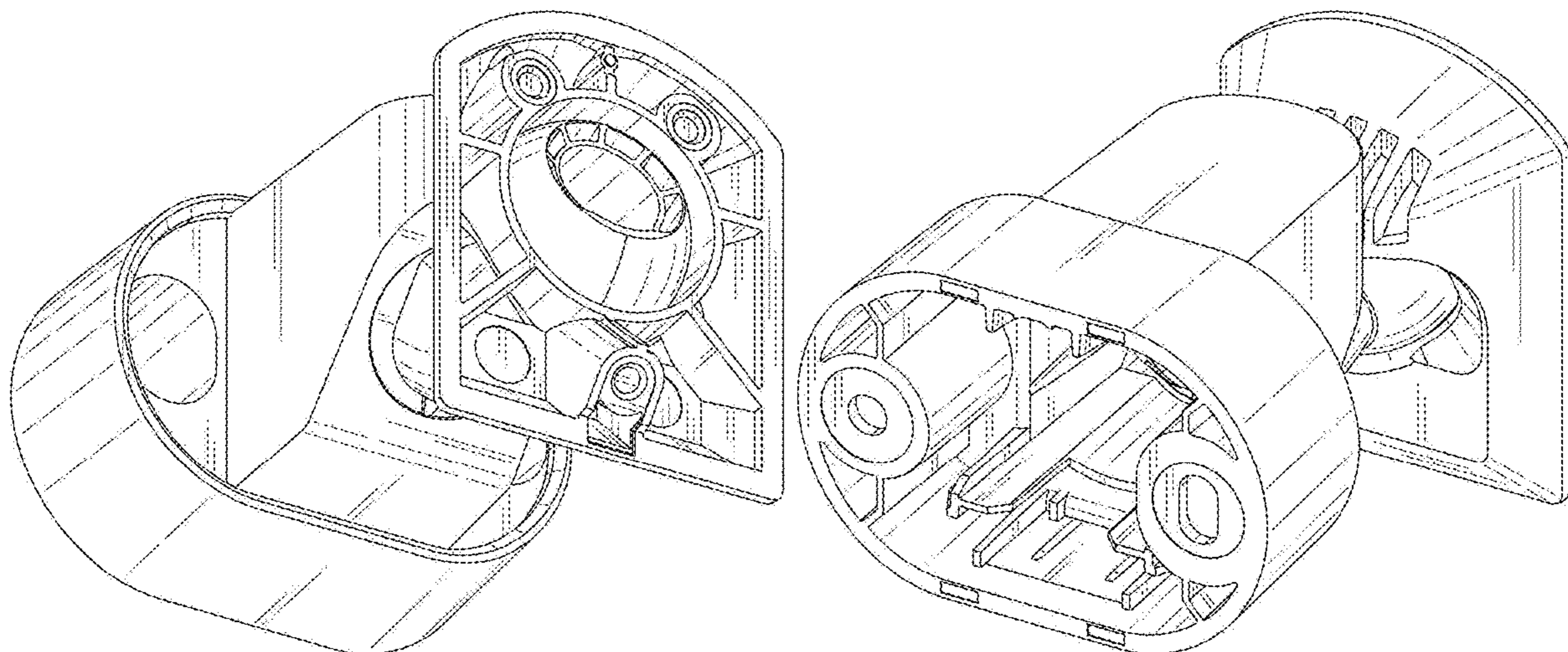
(57) **CLAIM**

The ornamental design for a bracket, as shown and described.

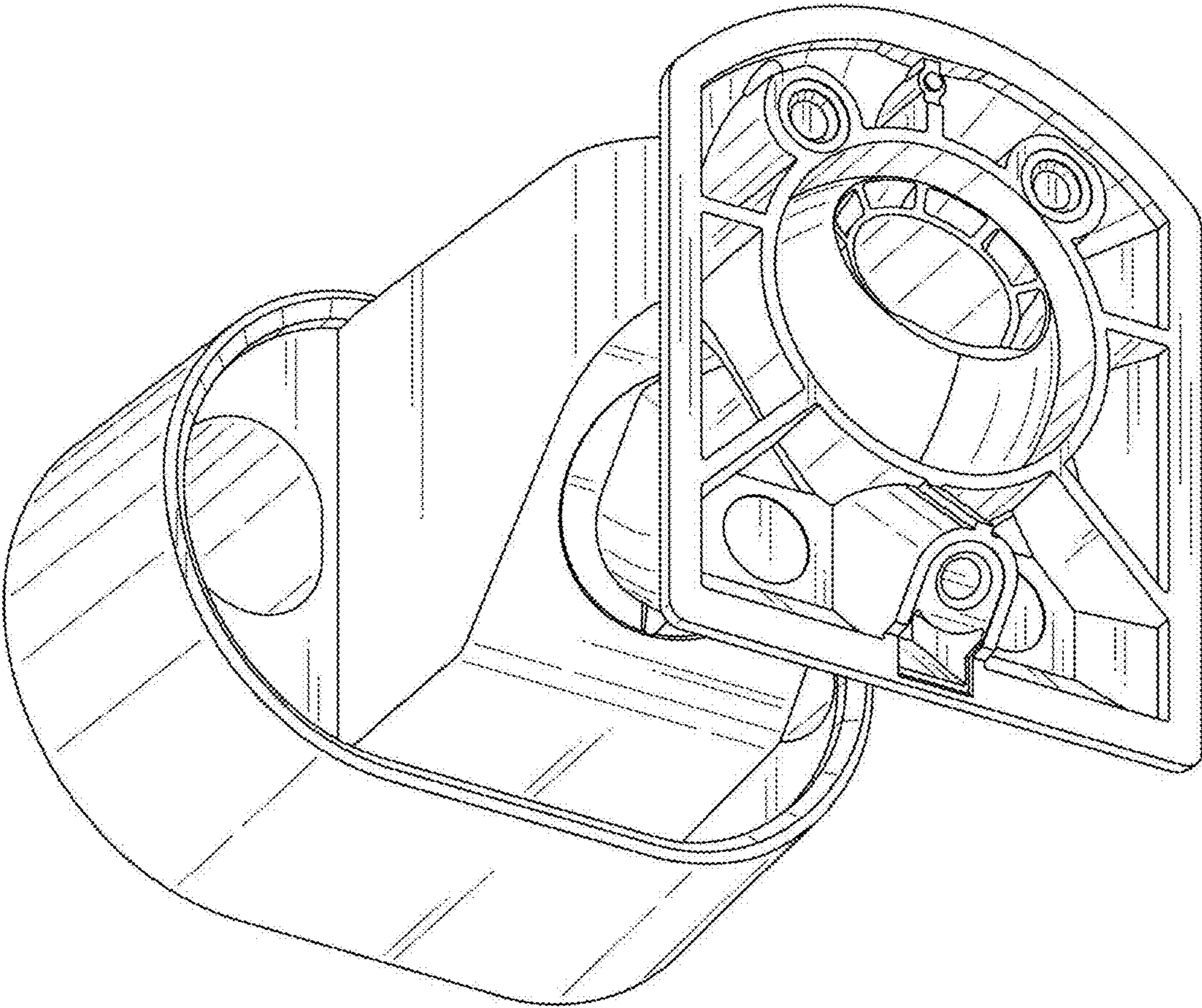
**DESCRIPTION**

- 1. Bracket
- 1.1 : Perspective
- 1.2 : Perspective
- 1.3 : Front
- 1.4 : Back
- 1.5 : Left
- 1.6 : Top
- 1.7 : Bottom

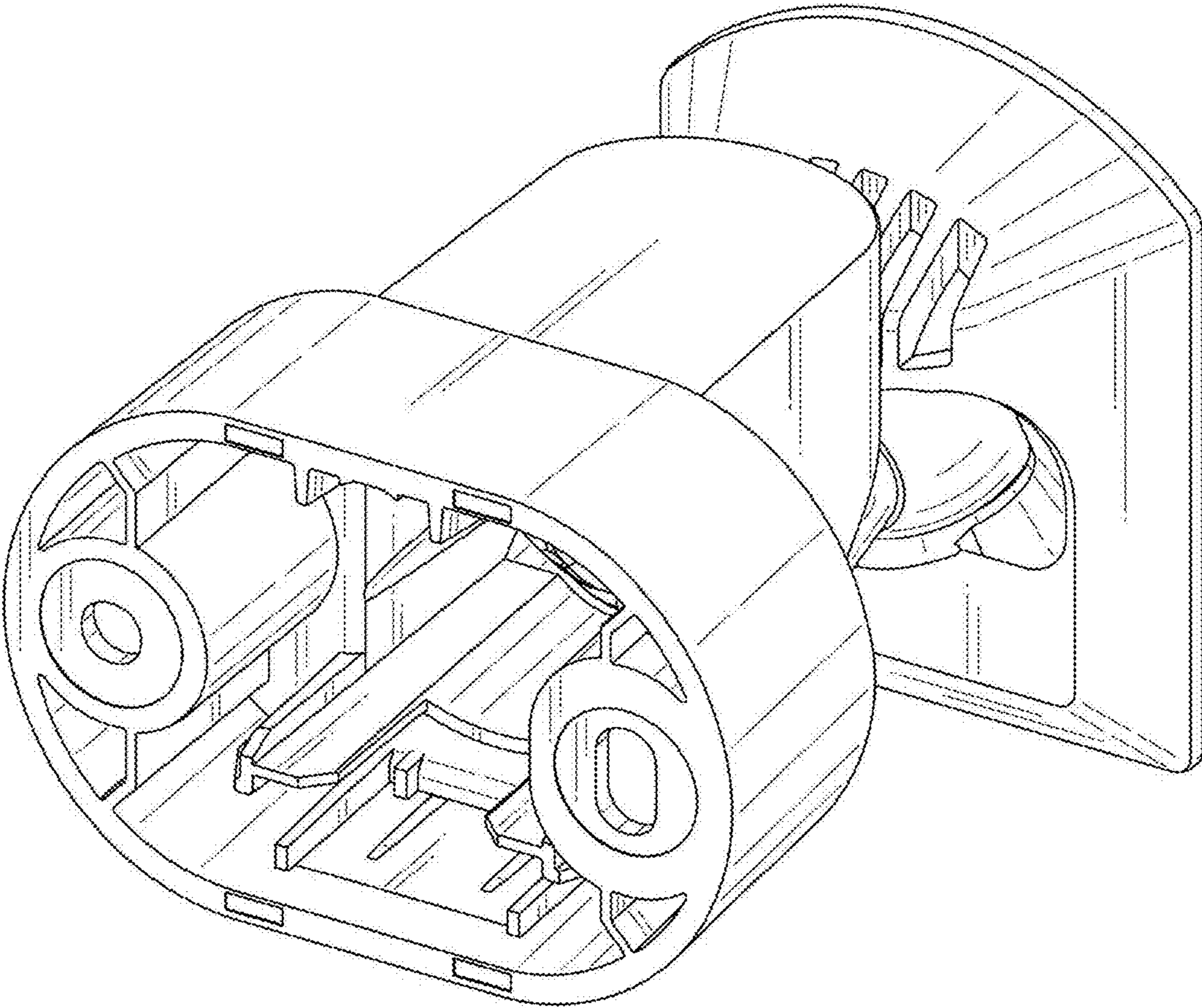
**1 Claim, 7 Drawing Sheets**



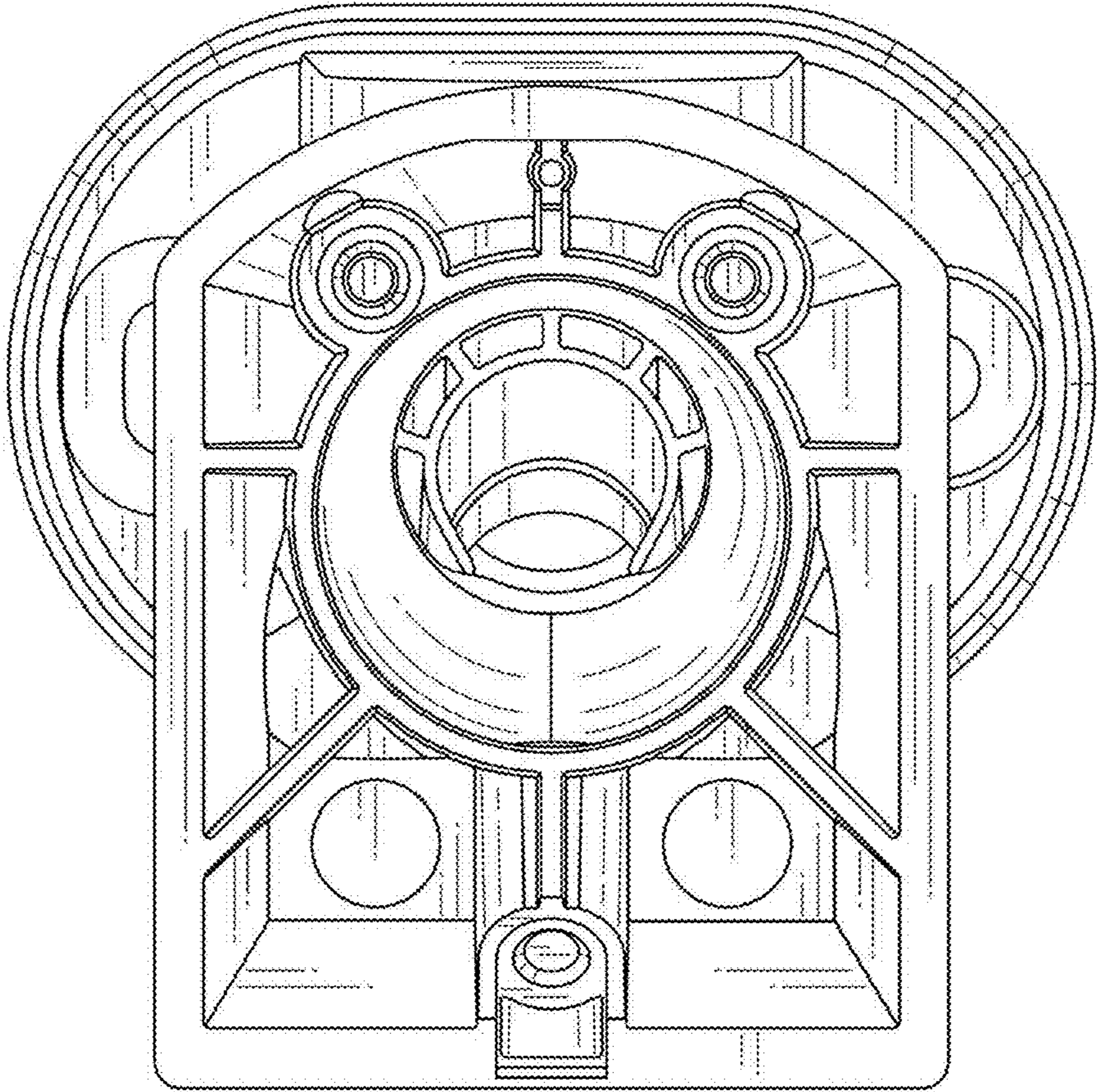
1.1



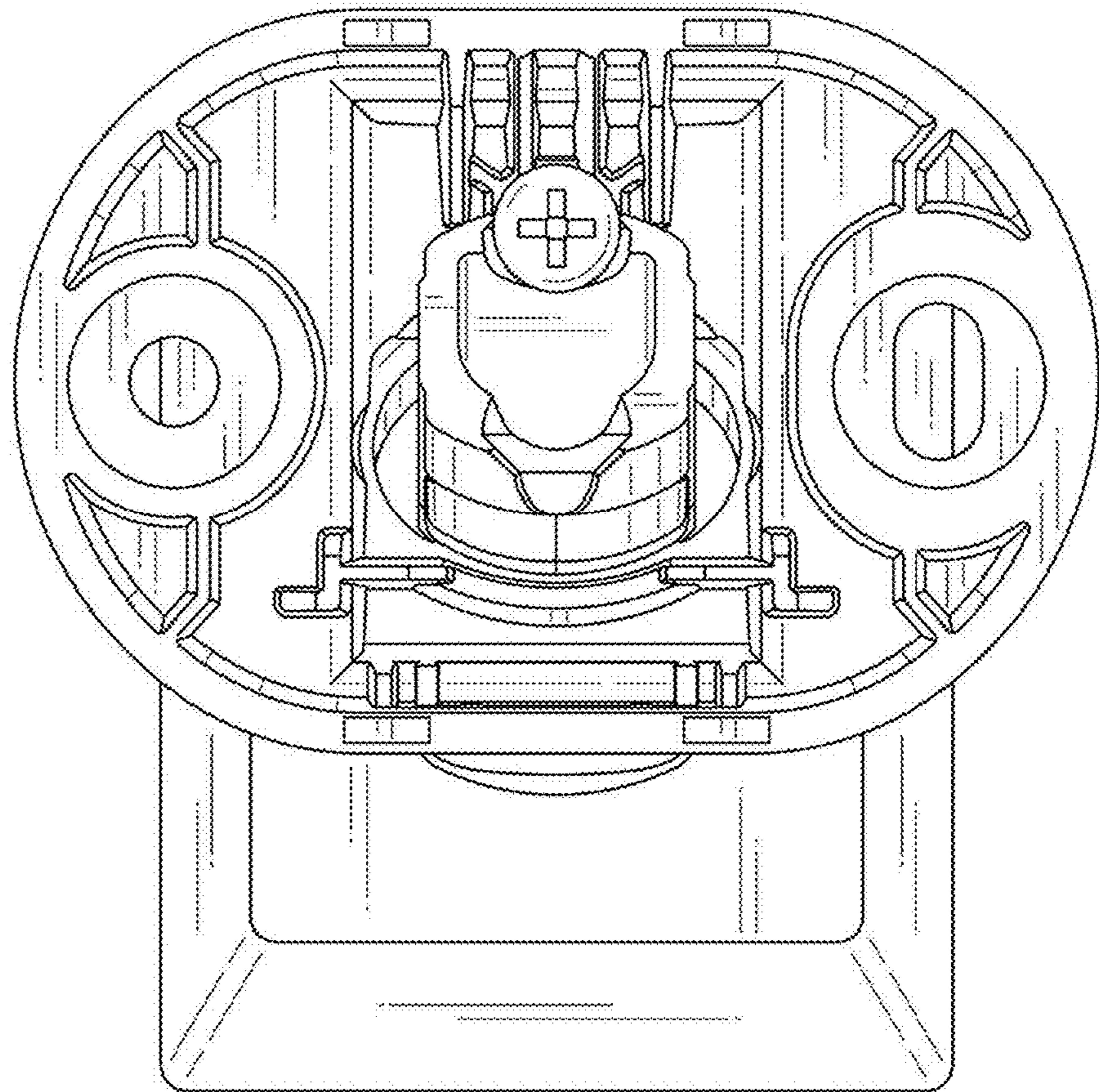
1.2



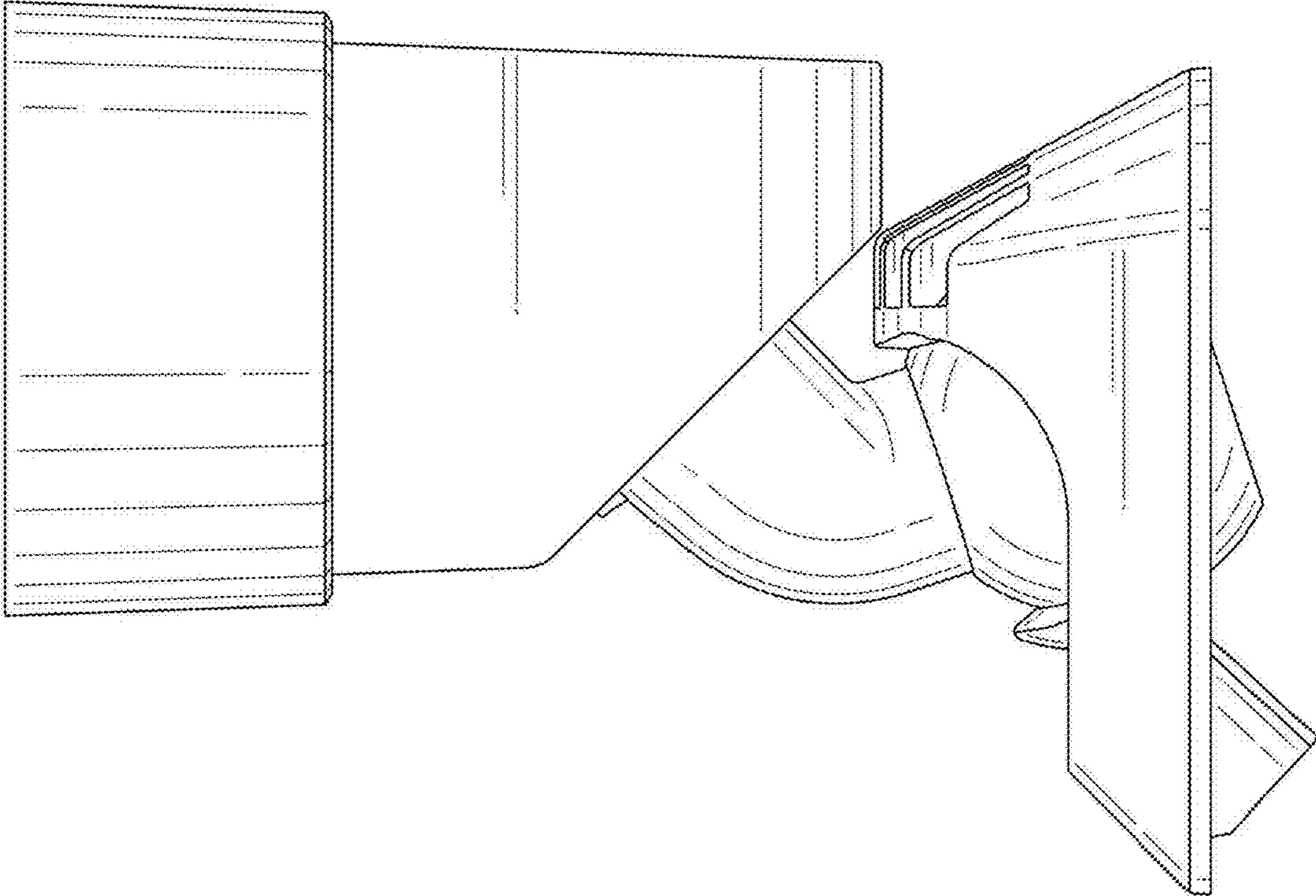
1.3



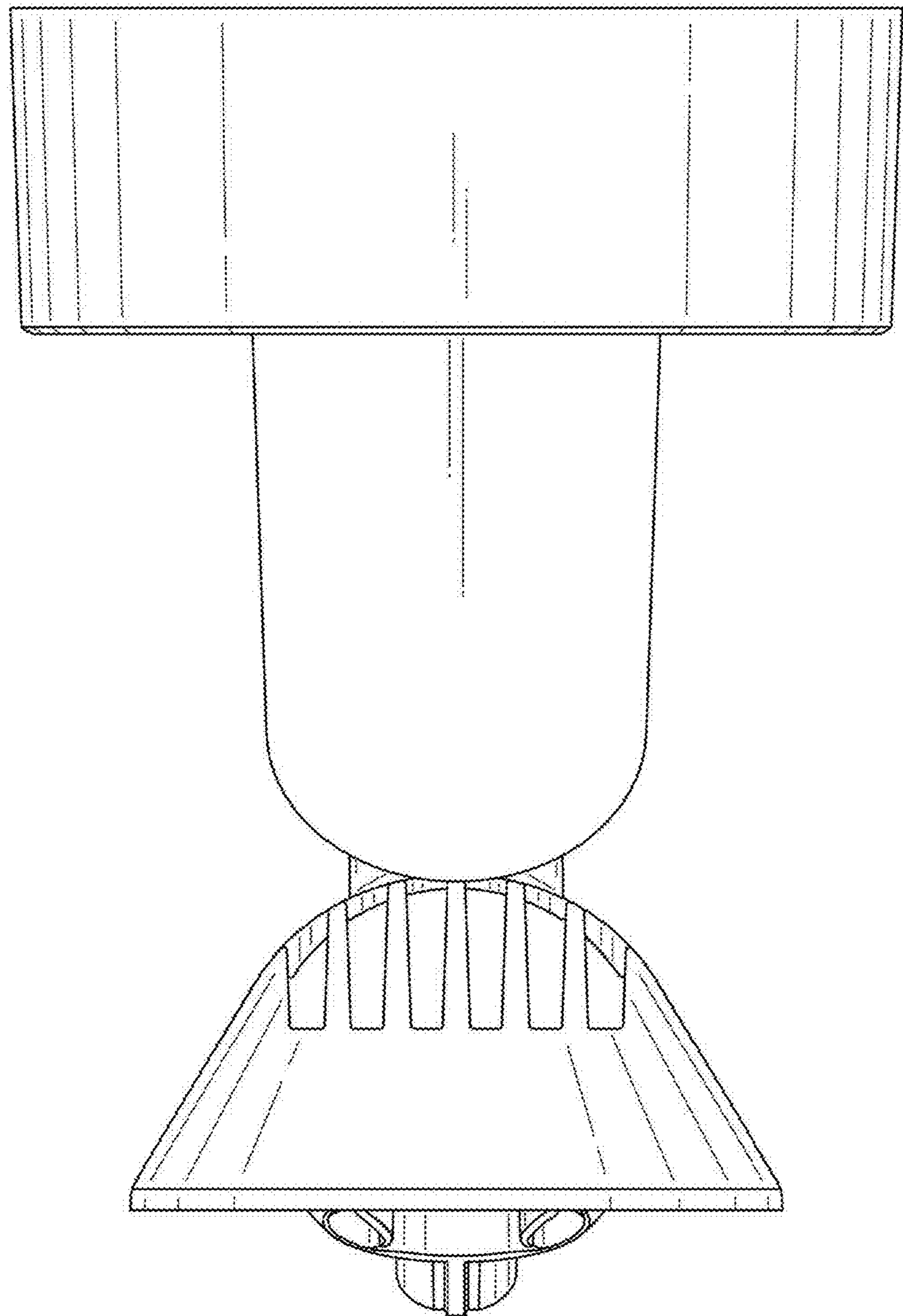
1.4



1.5



1.6



1.7

