



US00D977945S

(12) **United States Design Patent** (10) **Patent No.:** **US D977,945 S**  
**Huang** (45) **Date of Patent:** **\*\* Feb. 14, 2023**

(54) **SUNGLASSES CLIP HOLDER**  
(71) Applicant: **Binhan Huang**, Fujian (CN)  
(72) Inventor: **Binhan Huang**, Fujian (CN)  
(\*\*) Term: **15 Years**

D751,889 S \* 3/2016 Thiltgès ..... D8/394  
D752,966 S \* 4/2016 Katz ..... D8/395  
D758,839 S \* 6/2016 Kaalberg ..... D8/395  
D761,010 S \* 7/2016 Khodapanah ..... D3/218  
D777,023 S \* 1/2017 Kaalberg ..... D8/395  
D873,915 S \* 1/2020 Nash ..... D19/69  
D948,326 S \* 4/2022 Ruan ..... D8/395  
2014/0345089 A1 \* 11/2014 Kaalberg ..... A47C 21/022  
24/72.5

(21) Appl. No.: **29/843,982**  
(22) Filed: **Jun. 24, 2022**  
(51) **LOC (14) Cl.** ..... **08-08**  
(52) **U.S. Cl.**  
USPC ..... **D8/349**  
(58) **Field of Classification Search**  
USPC ..... D8/349, 374, 338, 316, 300; D16/300,  
D16/303, 310; D23/250, 252  
CPC ..... E05B 85/10; E05B 13/002; E05B 1/0015;  
E05B 85/12; E05B 15/0086; E05B  
77/265; A44C 7/006; A44B 99/00; D06F  
55/02

See application file for complete search history.

(56) **References Cited**

**U.S. PATENT DOCUMENTS**

D400,466 S \* 11/1998 Gleason ..... D11/78.1  
D409,114 S \* 5/1999 Bortner ..... D11/216  
D439,202 S \* 3/2001 Takabayashi ..... D11/215  
D448,554 S \* 10/2001 Zelman ..... D3/219  
D464,994 S \* 10/2002 Rosen ..... D19/86  
D525,117 S \* 7/2006 Mariano ..... D8/395  
D564,006 S \* 3/2008 Stephens ..... D16/208  
D584,406 S \* 1/2009 Veedfald ..... A61M 5/1418  
D24/128  
D585,645 S \* 2/2009 Mchatet ..... D3/266  
D599,651 S \* 9/2009 Riggsbee ..... D8/395  
D602,620 S \* 10/2009 Cristoforo ..... D26/60  
D603,604 S \* 11/2009 DeSario  
D619,285 S \* 7/2010 Cristoforo ..... D26/38  
D639,707 S \* 6/2011 Caskey ..... D11/201  
D714,549 S \* 10/2014 Levy

**OTHER PUBLICATIONS**

Universal Visor Sunglass Holder, by Supsefy on Amazon.com.  
Dated May 10, 2022. Found online [Aug. 16, 2022]. <https://www.amazon.com/dp/B09ZTY4PK2>.\*

\* cited by examiner

*Primary Examiner* — Eliza Z Harvey  
*Assistant Examiner* — Kayla Marie Bennett

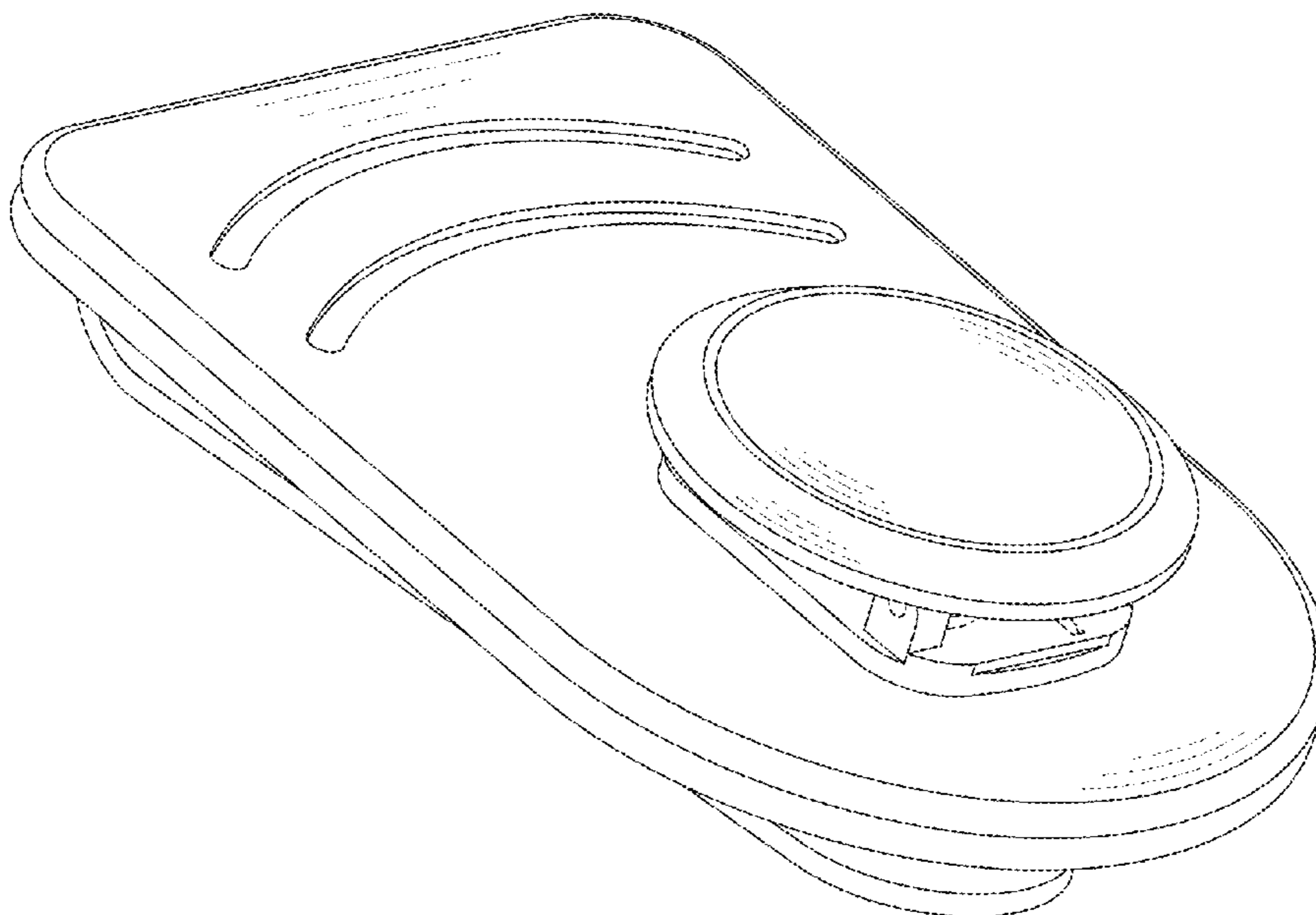
(57) **CLAIM**

The ornamental design for a sunglasses clip holder, as shown and described.

**DESCRIPTION**

FIG. 1 is a bottom, front and left side perspective view of a sunglasses clip holder, showing my new design;  
FIG. 2 is a top, back and left side perspective view thereof;  
FIG. 3 is a front view thereof;  
FIG. 4 is a back view thereof;  
FIG. 5 is a left view thereof;  
FIG. 6 is a right view thereof;  
FIG. 7 is a top view thereof; and,  
FIG. 8 is a bottom view thereof.  
The broken lines shown in the drawings illustrate portions of the sunglasses clip holder and form no part of the claimed design.

**1 Claim, 8 Drawing Sheets**



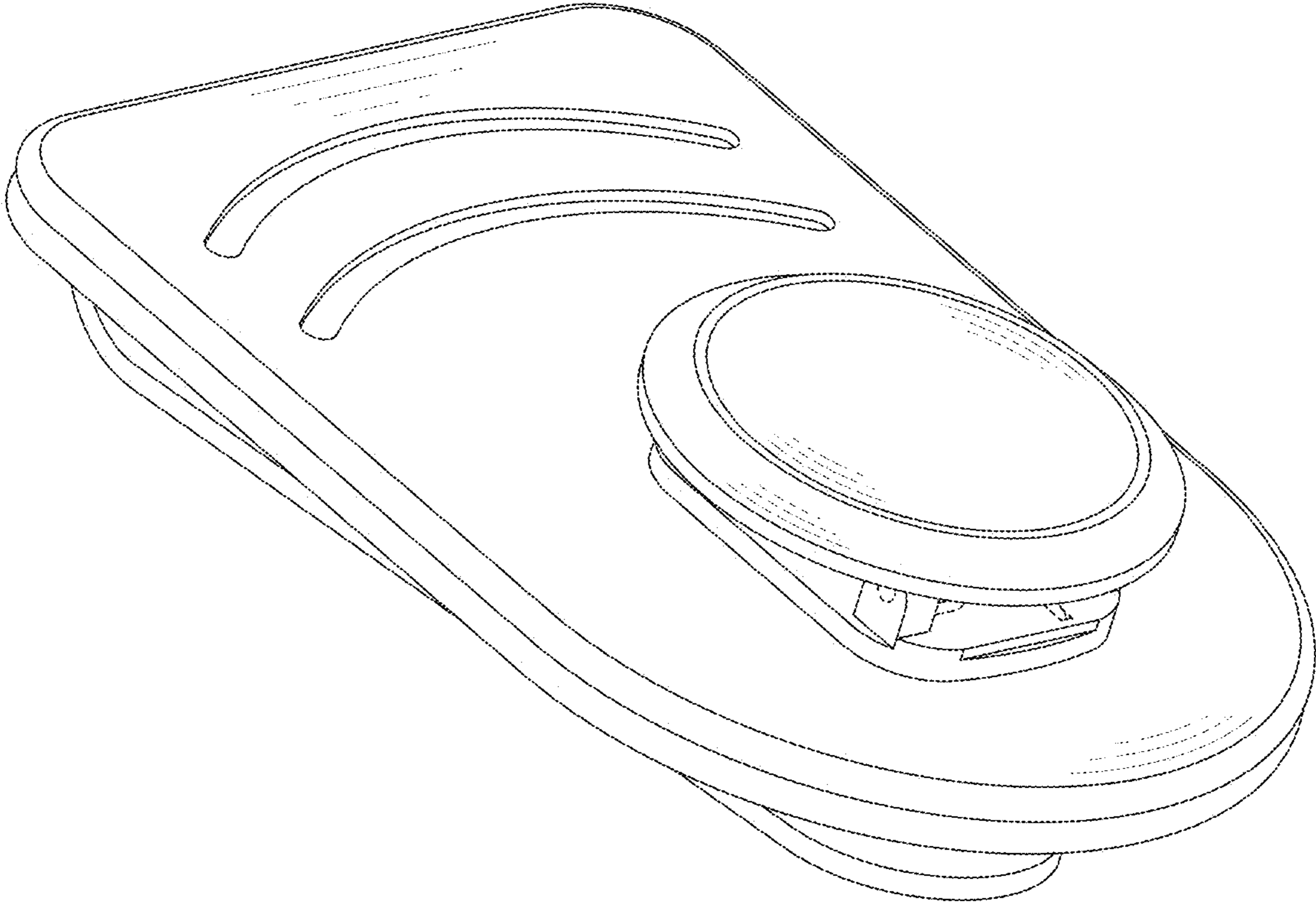


FIG. 1

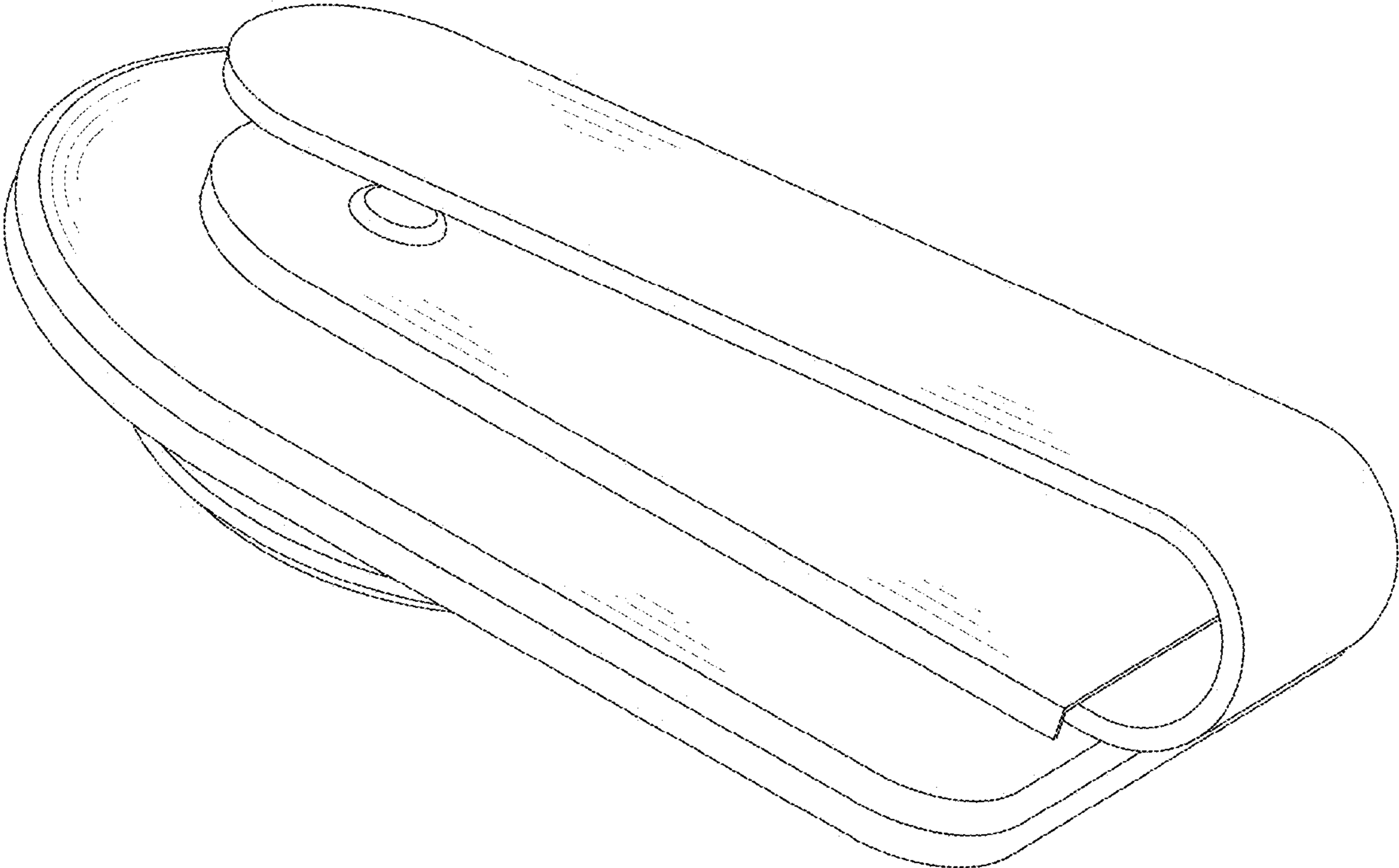


FIG. 2

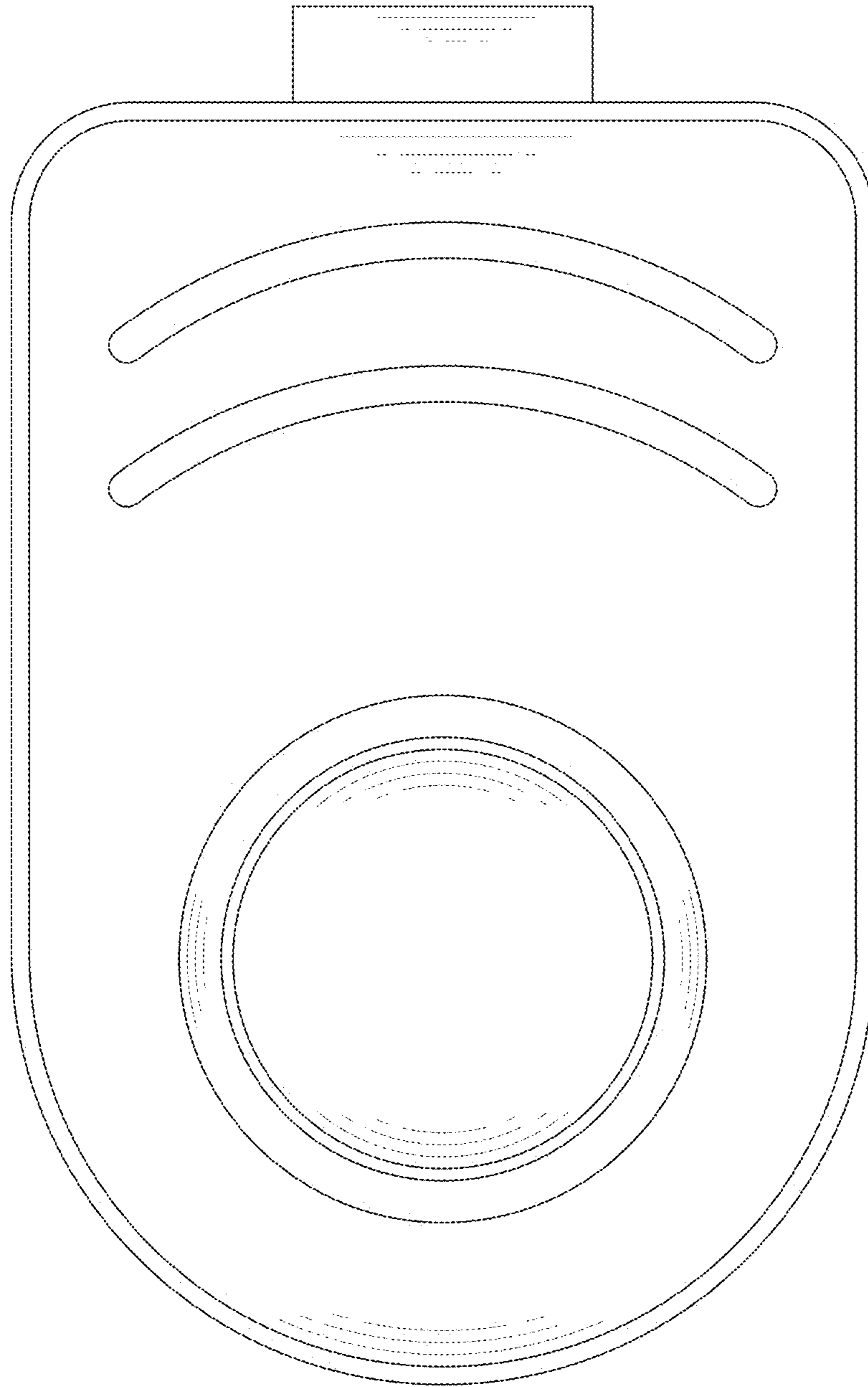


FIG. 3

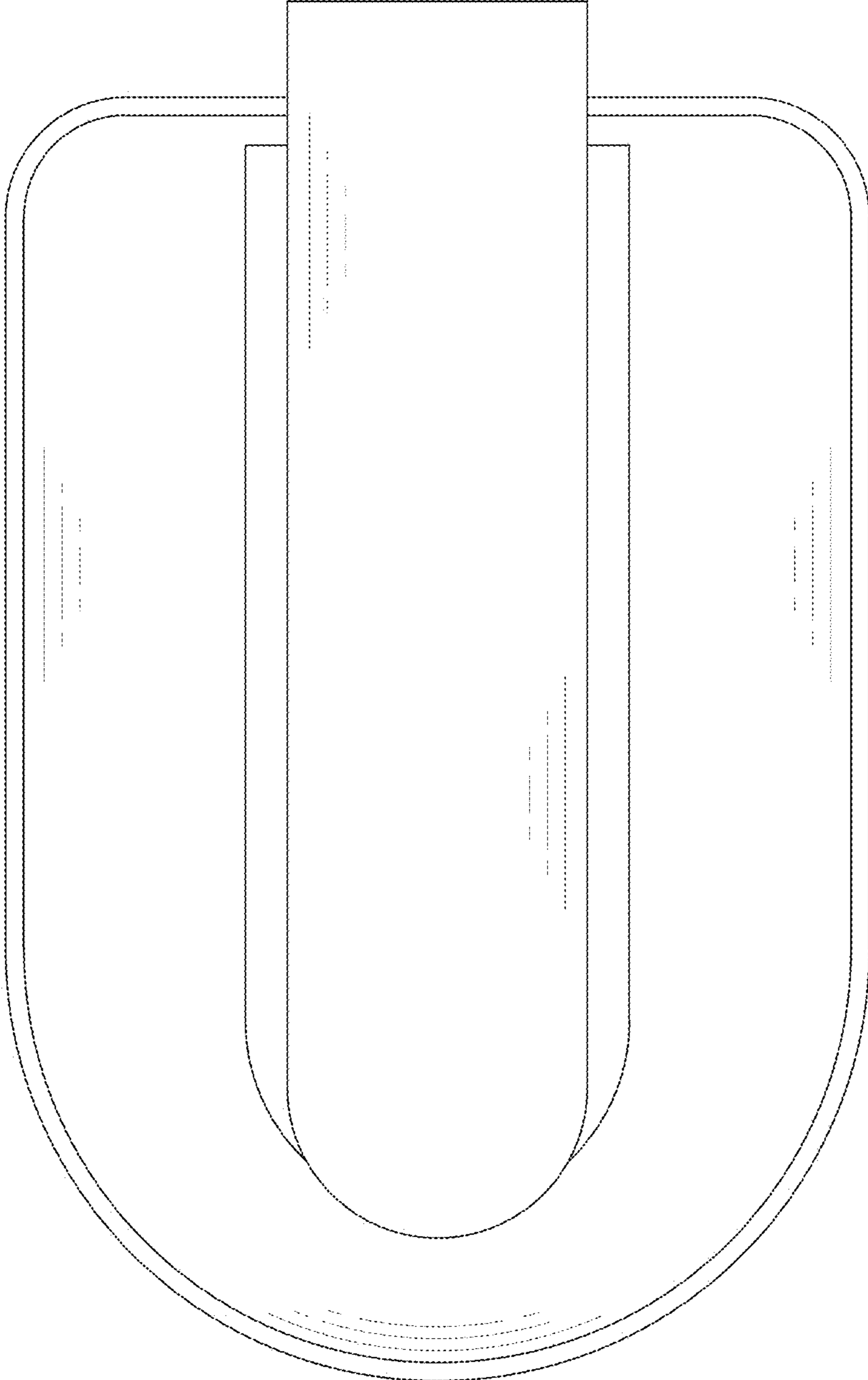


FIG. 4



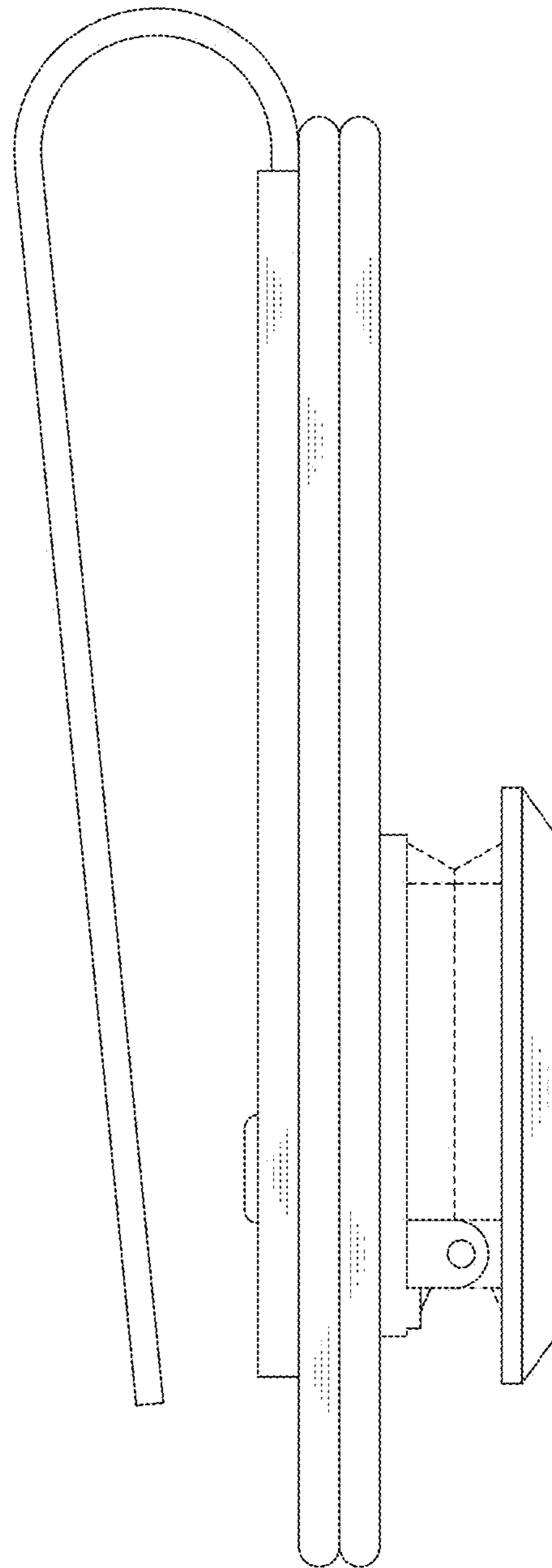


FIG. 5

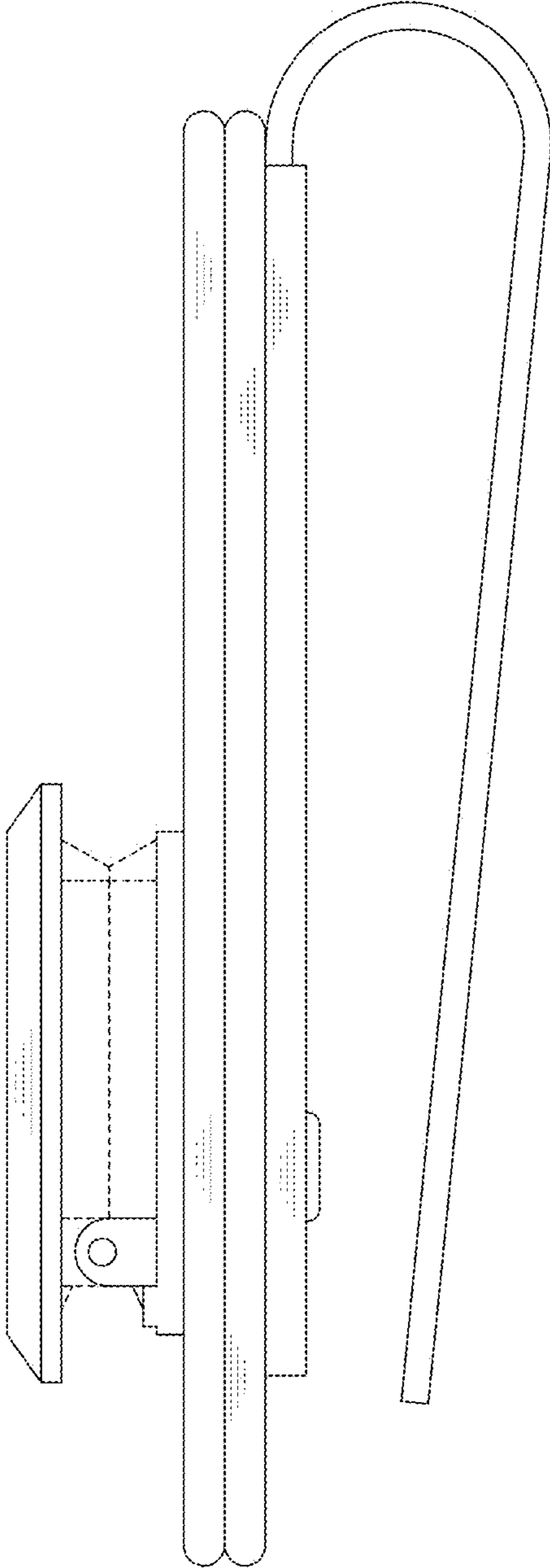


FIG. 6

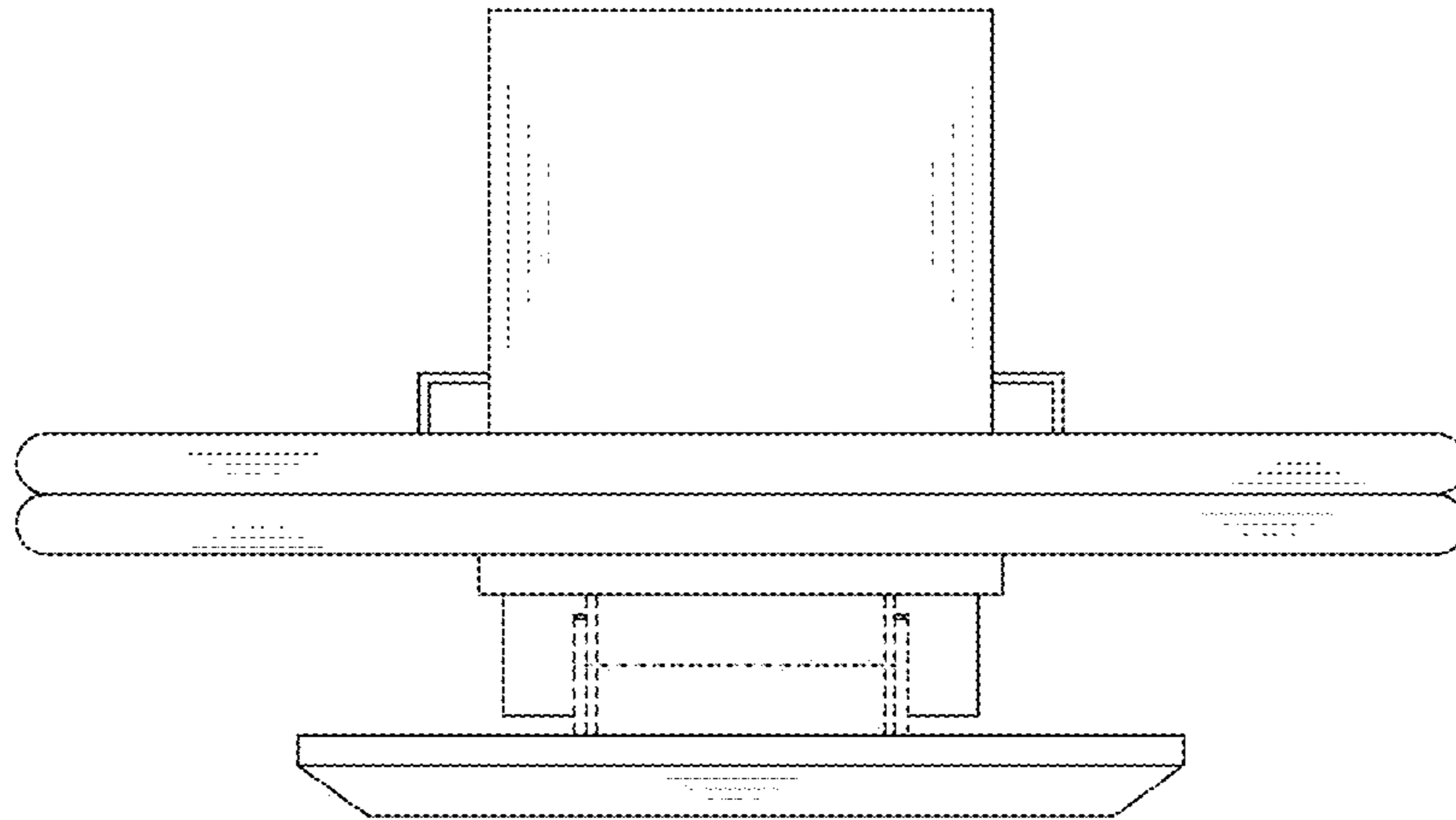


FIG. 7



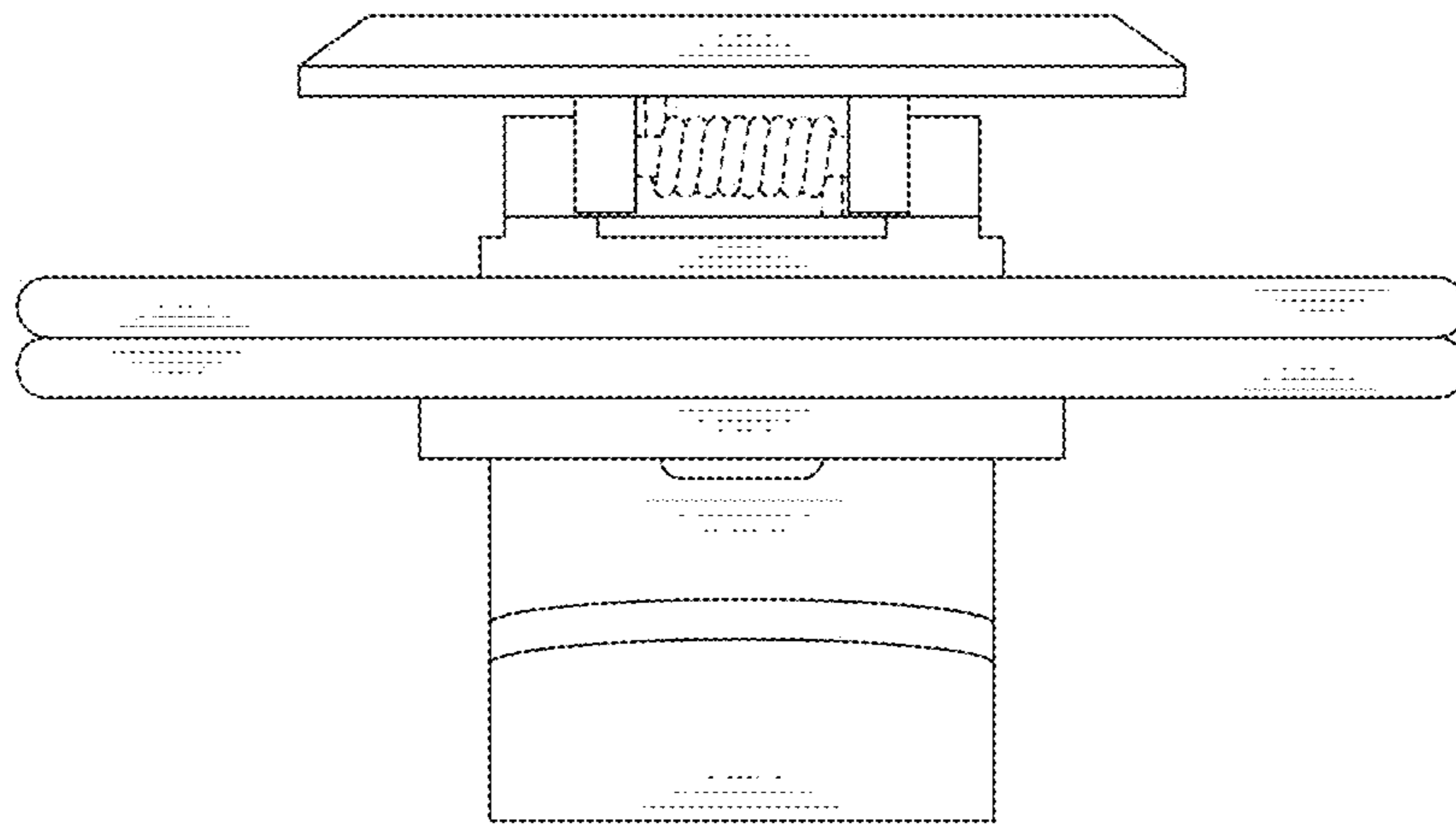


FIG. 8