



US00D977942S

(12) **United States Design Patent**  
**Stoops**

(10) **Patent No.:** **US D977,942 S**

(45) **Date of Patent:** **\*\* Feb. 14, 2023**

(54) **HOOK AND LOOP ROPE**

(71) Applicant: **Kevin Ray Stoops**, Bucyrus, KS (US)

(72) Inventor: **Kevin Ray Stoops**, Bucyrus, KS (US)

(\*\*) Term: **15 Years**

(21) Appl. No.: **29/706,885**

(22) Filed: **Sep. 24, 2019**

(51) **LOC (14) Cl.** ..... **08-08**

(52) **U.S. Cl.**

USPC ..... **D8/349; D11/200**

(58) **Field of Classification Search**

USPC ..... D8/319, 330, 331, 333, 349, 354, 355,  
D8/356, 363, 373, 380, 382; D13/129,  
D13/133, 154, 199; D11/3, 200

(Continued)

(56) **References Cited**

**U.S. PATENT DOCUMENTS**

1,945,932 A \* 2/1934 Caley ..... A45D 2/18  
24/17 AP

5,120,300 A \* 6/1992 Shaw ..... A61B 17/1322  
602/61

(Continued)

**FOREIGN PATENT DOCUMENTS**

CN 306568759 S 5/2021

**OTHER PUBLICATIONS**

Multipurpose Reusable Plant Ties, Sears, <https://www.sears.com/murifical-ish09-m875991mn-multipurpose-reusable-plant-tie-self/p-A103404436>, May 1, 2021 (Year: 2021).\*

(Continued)

*Primary Examiner* — Richard Kearney  
*Assistant Examiner* — Benjamin M Weeks

(74) *Attorney, Agent, or Firm* — Kutak Rock LLP; Brian L. Main

(57) **CLAIM**

The ornamental design for a hook and loop rope, as shown and described.

**DESCRIPTION**

FIG. 1 is an isometric view of a hook and loop rope of the present invention, shown in a rolled configuration such that a hook side of the rope is exposed.

FIG. 2 is an isometric view of the rope of FIG. 1, shown in a rolled configuration such that a loop side of the rope is exposed.

FIG. 3 is a top view of the rope of FIG. 1, the rope shown in the same configuration as shown in FIG. 2.

FIG. 4 is a front elevation view of the rope of FIG. 1, the rope shown in the same configuration as shown in FIG. 1. FIG. 5 is a front elevation view of the rope FIG. 1, the rope shown in the same configuration as shown in FIG. 2.

FIG. 6 is an isometric view of the rope of FIG. 1, the rope shown in a partially unrolled configuration.

FIG. 7 is an isometric view of the rope of FIG. 1 shown in an unrolled and twisted configuration.

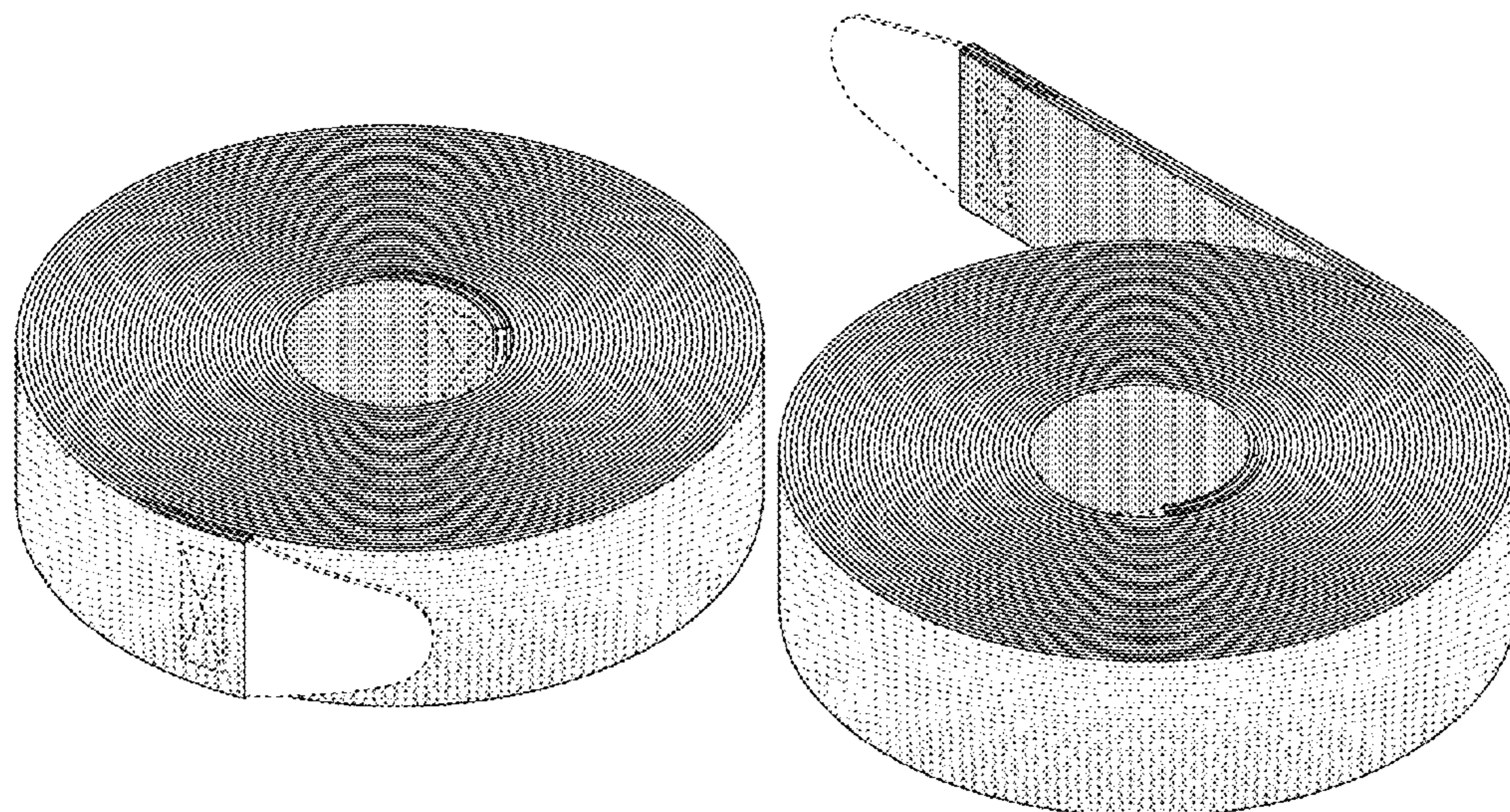
FIG. 8 is an isometric view of the rope of FIG. 1 shown in an unrolled configuration.

FIG. 9 is a detail view taken from FIG. 7, FIG. 9 showing a first side of an opening, an opposed second side of the opening being a mirror image thereof; and,

FIG. 10 is a detail view taken from FIG. 8.

The hook and loop rope has been shown with break lines in its length. The appearance of any portion of the article between the break lines form no part of the claimed designs. The broken lines showing stitching on the rope form no part of the claimed design. The broken lines showing end tabs in FIGS. 1-8 and an elongated feature in FIG. 8 are for environmental purposes and form no part of the claimed design. Surface treatment and shading seen on the rope surface form no part of the claimed design. The dot dash broken lines identify the enlarged areas seen in FIGS. 9 and 10 and form no part of the claimed design.

**1 Claim, 9 Drawing Sheets**



(58) **Field of Classification Search**

CPC ... A45C 13/08; A45F 5/14; A45F 5/10; E05B  
17/00; E05B 67/36; E05B 73/00; E05B  
73/0005; E05B 73/0082

See application file for complete search history.

D825,487 S *	8/2018	Munson .....	D13/155
D826,366 S *	8/2018	Van Popering .....	D22/122
D836,744 S *	12/2018	Hubbard .....	D22/108
D836,903 S *	1/2019	Lindsey .....	D2/978
D843,525 S *	3/2019	Karvandi .....	D21/694
D878,950 S *	3/2020	Ennis .....	D11/3
D895,971 S *	9/2020	Lemaire .....	D3/327

(56) **References Cited**

U.S. PATENT DOCUMENTS

5,600,873 A *	2/1997	May .....	G02C 3/003 24/3.13
5,669,253 A *	9/1997	Higgins .....	E05B 37/14 70/312
D398,878 S *	9/1998	Middleton, Sr. ....	D11/86
D400,686 S *	11/1998	Hamerman .....	D2/610
D435,145 S *	12/2000	Lindsey .....	D29/100
D475,231 S *	6/2003	Briles .....	D8/368
D503,806 S *	4/2005	Williams .....	D24/190
D511,450 S *	11/2005	Seth .....	D8/396
D599,935 S *	9/2009	van Klinken .....	D26/67
D603,301 S *	11/2009	Evans .....	D12/114
D615,303 S *	5/2010	Baron .....	D3/327
D674,431 S *	1/2013	Kim .....	D3/327
D720,203 S *	12/2014	Plato .....	D8/343
D725,458 S *	3/2015	Plato .....	D8/333
D769,103 S *	10/2016	Loughlin .....	D8/333
D783,207 S *	4/2017	Lindsey .....	D29/101.1
D788,540 S *	6/2017	Mock .....	D7/601
D800,535 S *	10/2017	Loughlin .....	D8/333
D813,527 S *	3/2018	Orban .....	D3/215

OTHER PUBLICATIONS

Multipurpose Reusable Plant Tie Self-Adhesive Hook Loop Wrap for Garden Support Cables, <https://www.amazon.com/Multipurpose-Reusable-Self-Adhesive-Polyester-Organizer/dp/B08NTSVD93/>, retrieved Sep. 6, 2022 (Year: 2022).\*

“Notice of Decision to Grant Received for Chinese design application No. 202030103112.6 dated Mar. 11, 2021.”

“First Office Action Received for the Chinese Design Application No. 202030103112.6, dated Nov. 23, 2020”.

“Notification of Refusal Received for Vietnam International Design registration Application No. DM/213093, dated Sep. 17, 2021.”

“Notification of Refusal Received for Republic of Korea International Design registration Application No. DM/213093, dated Mar. 17, 2022.”

“Notification of Refusal Received for Canada International Design registration Application No. DM/213093, dated Mar. 1, 2022.”

“Examiner’s Report Received for Canada International Design registration Application No. DM/213093, dated Aug. 8, 2022.”.

\* cited by examiner

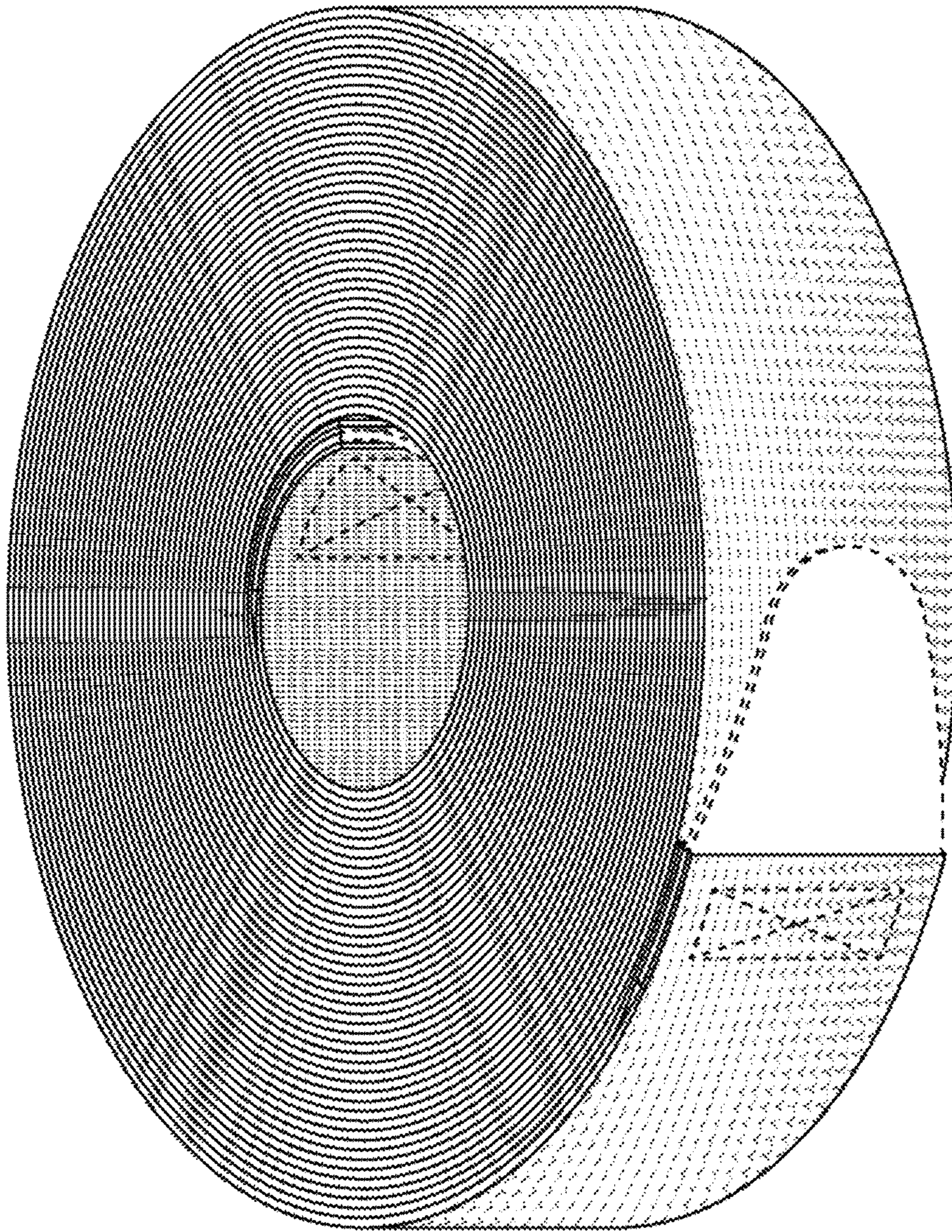


FIG. 1

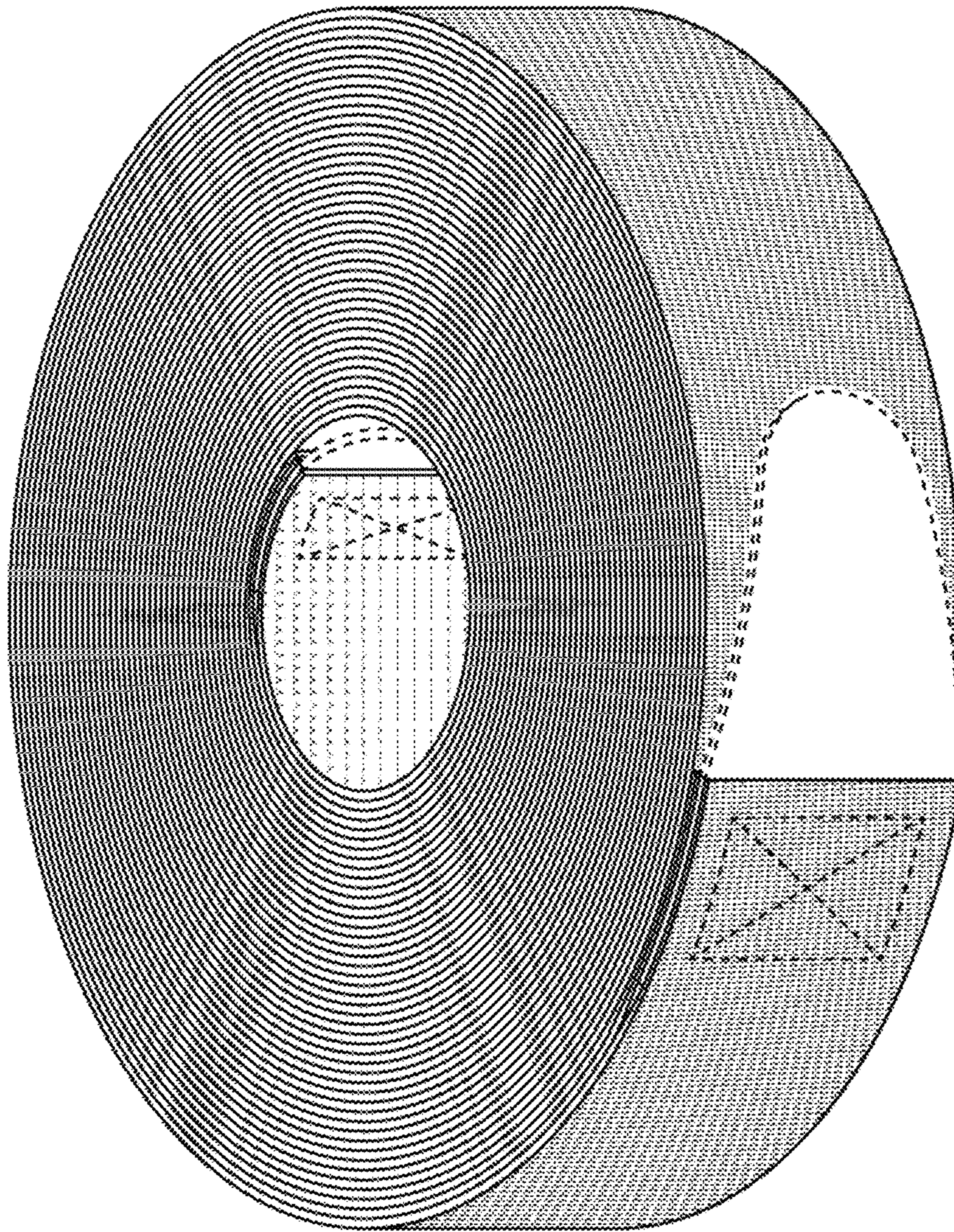


FIG. 2

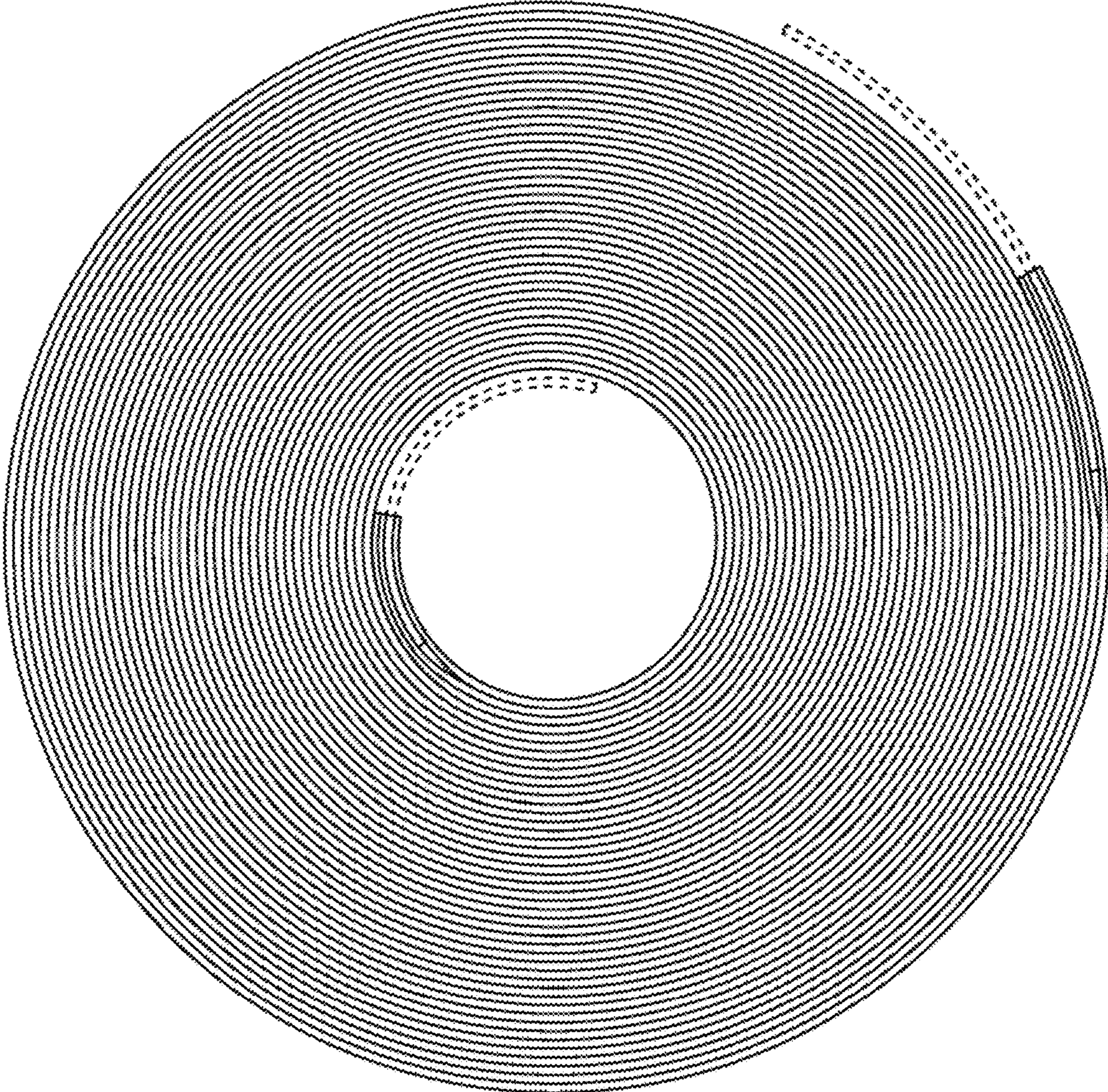


FIG. 3

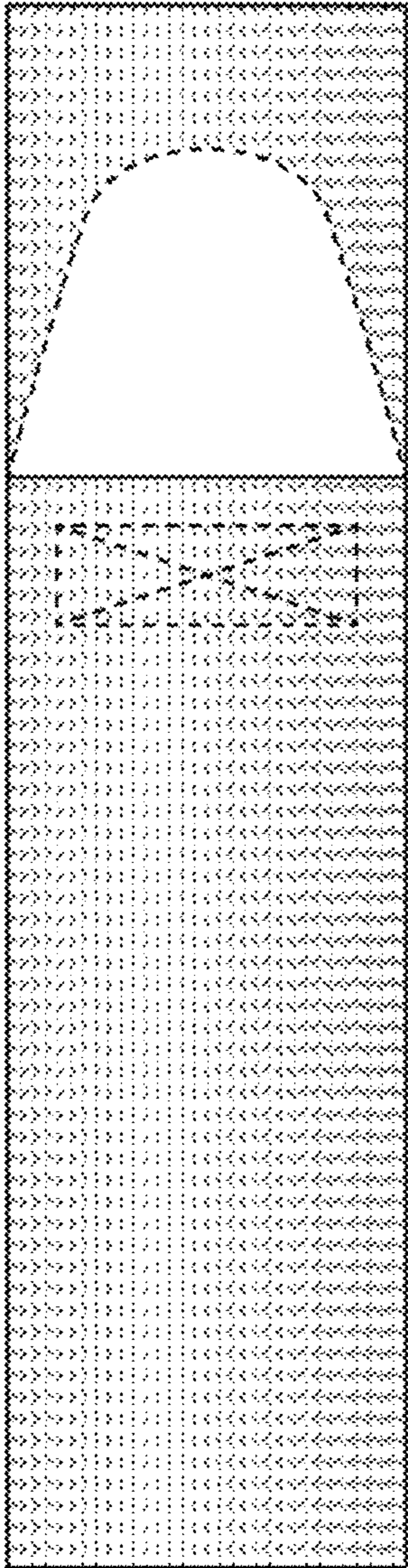


FIG. 4

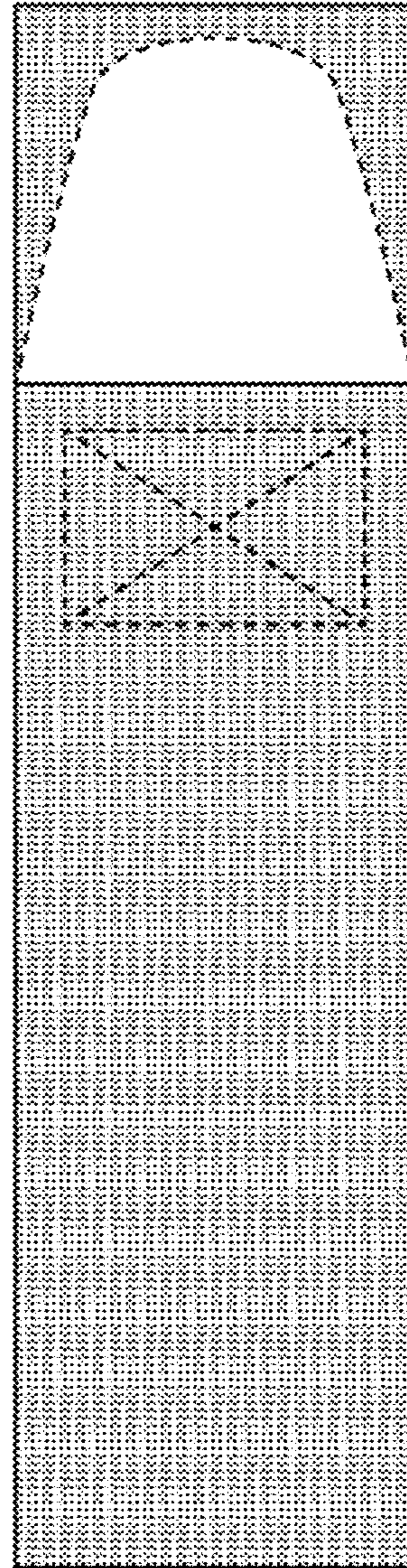


FIG. 5

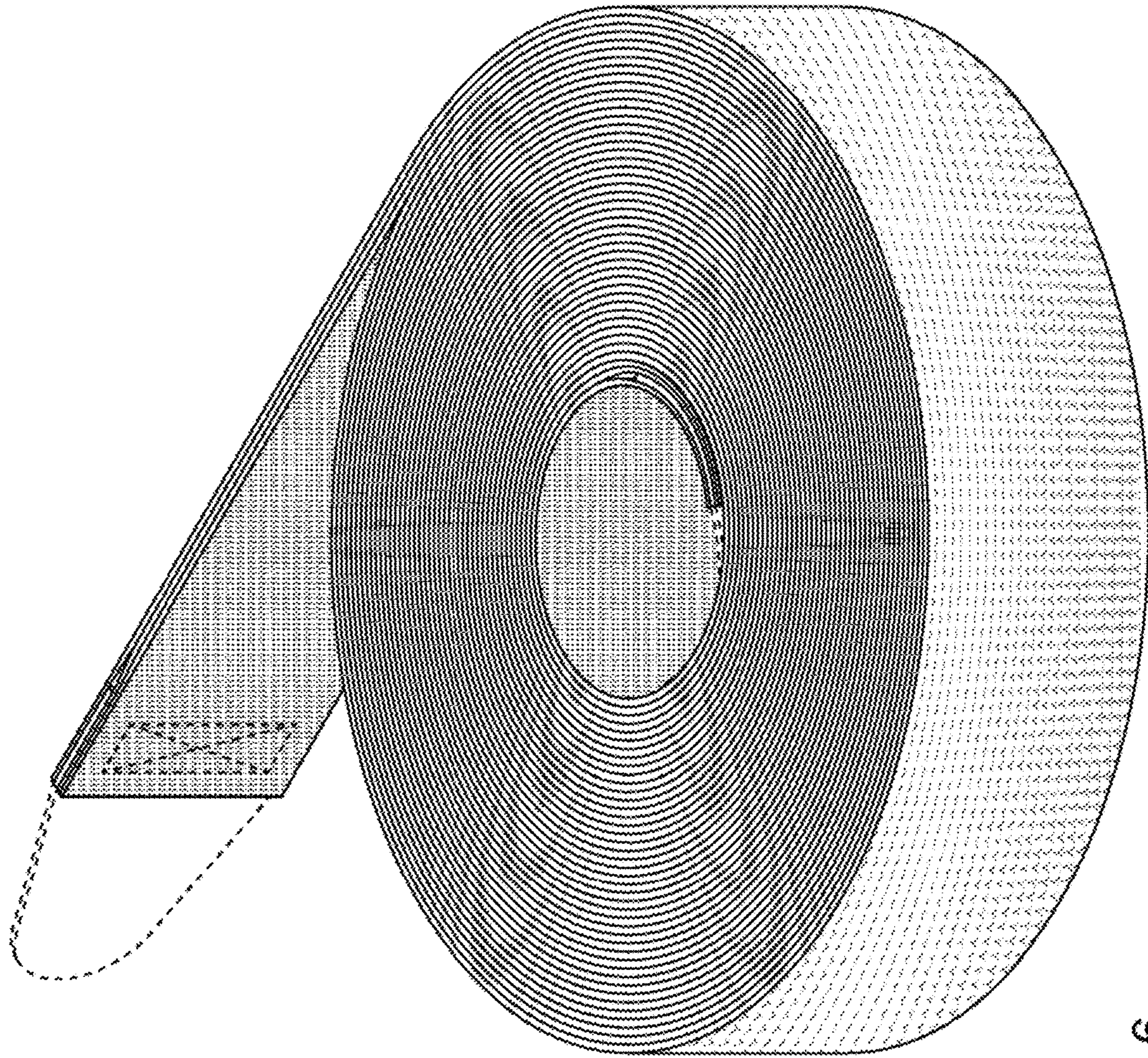


FIG. 6

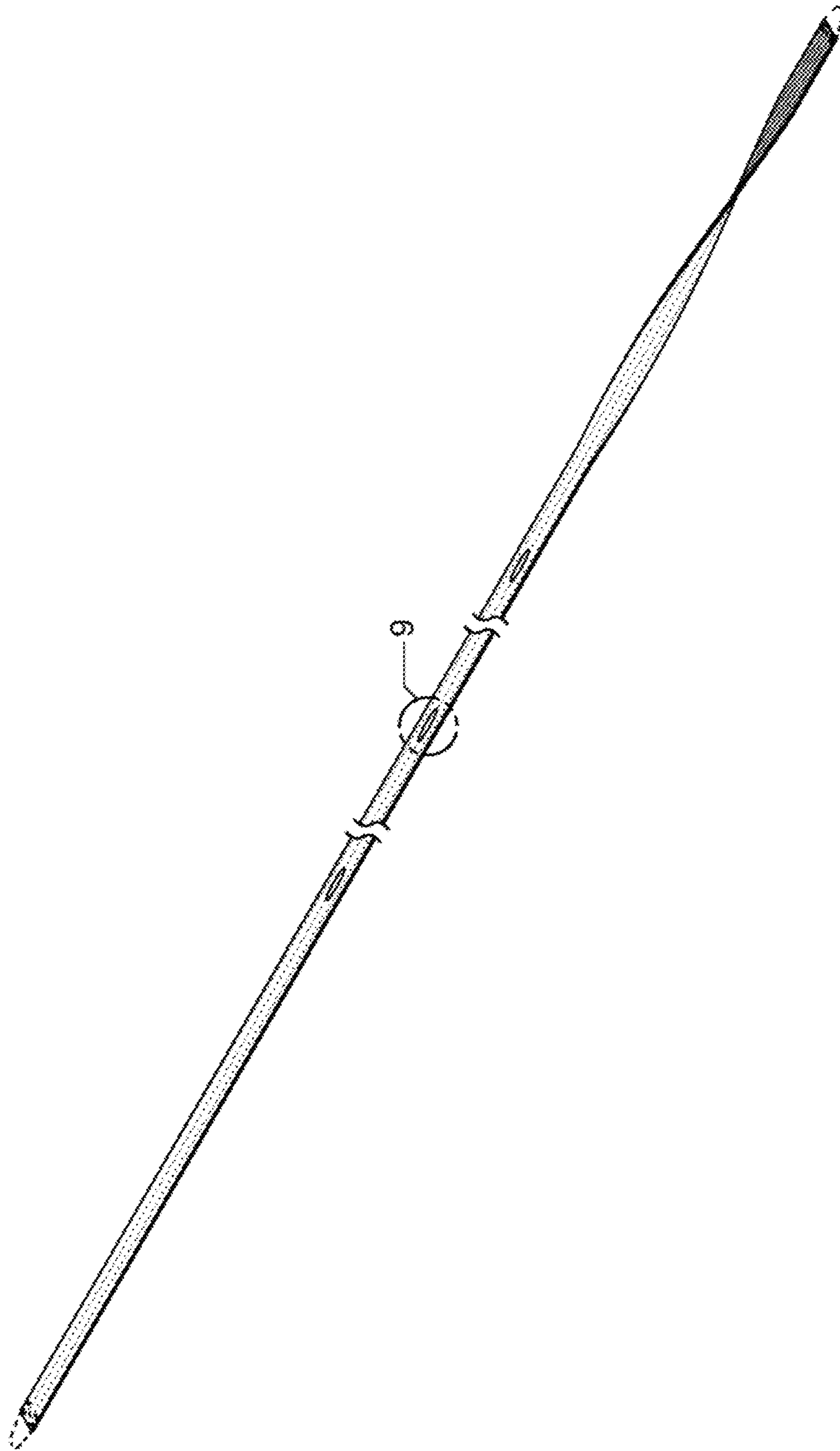


FIG. 7



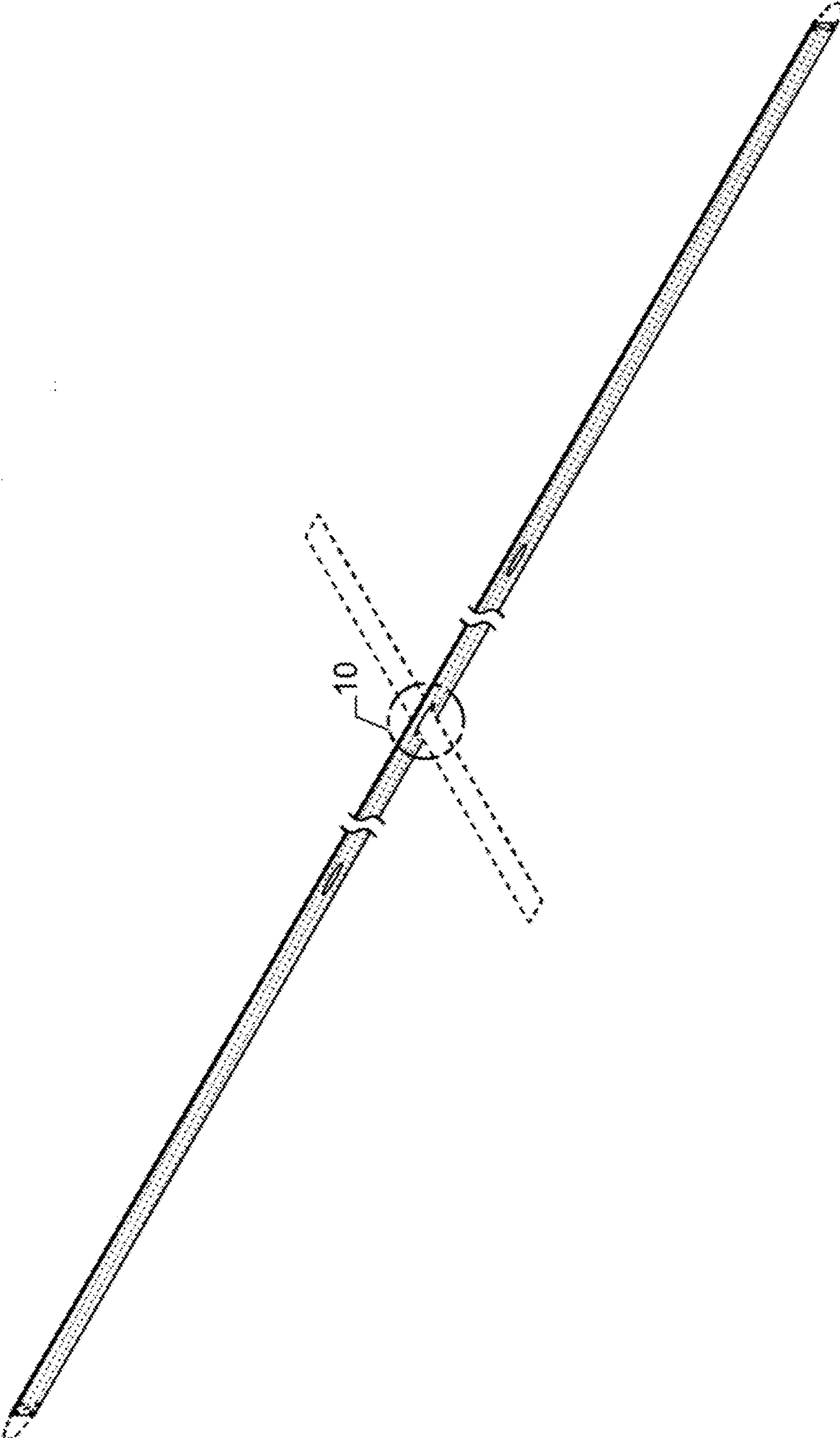


FIG. 8

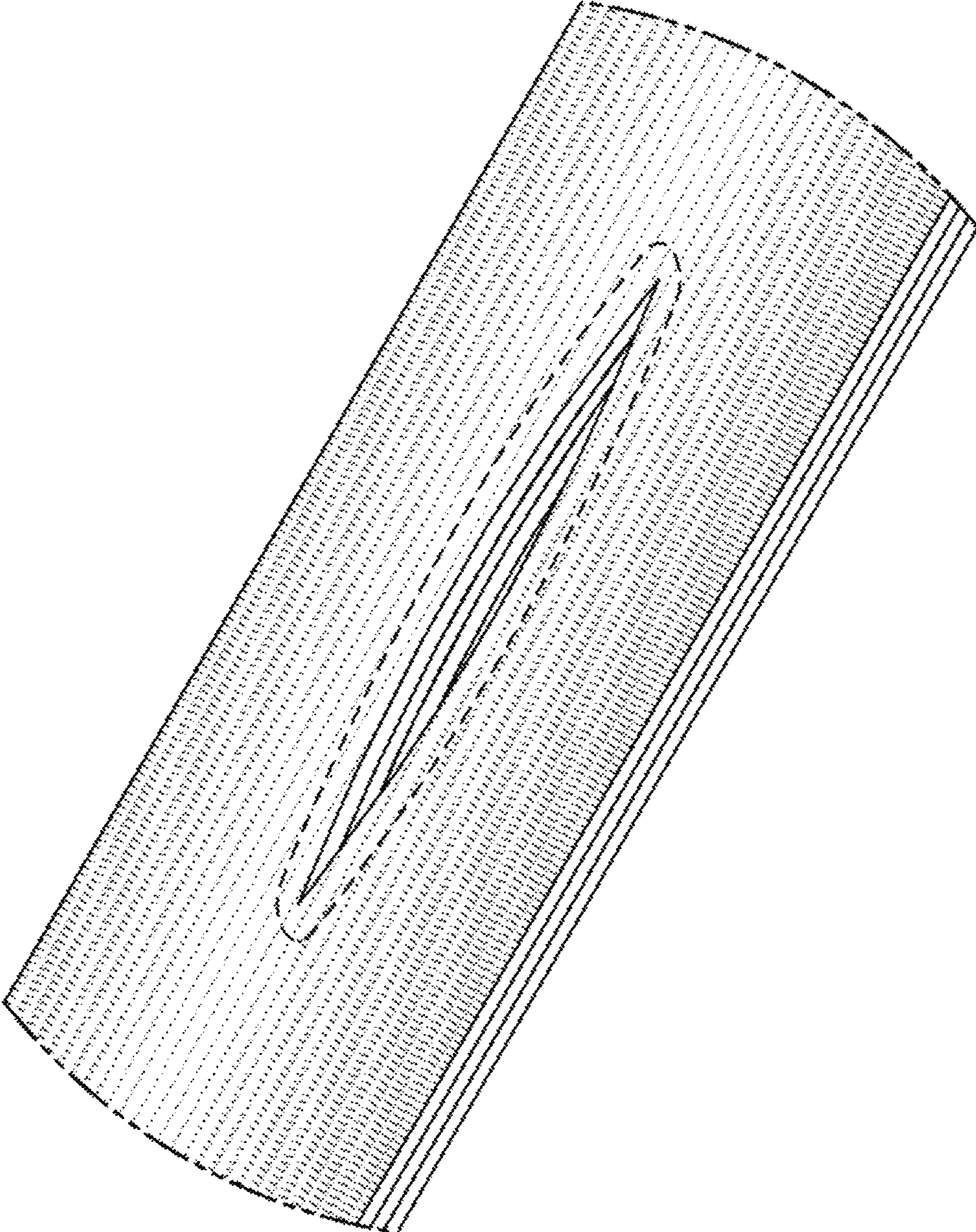


FIG. 9

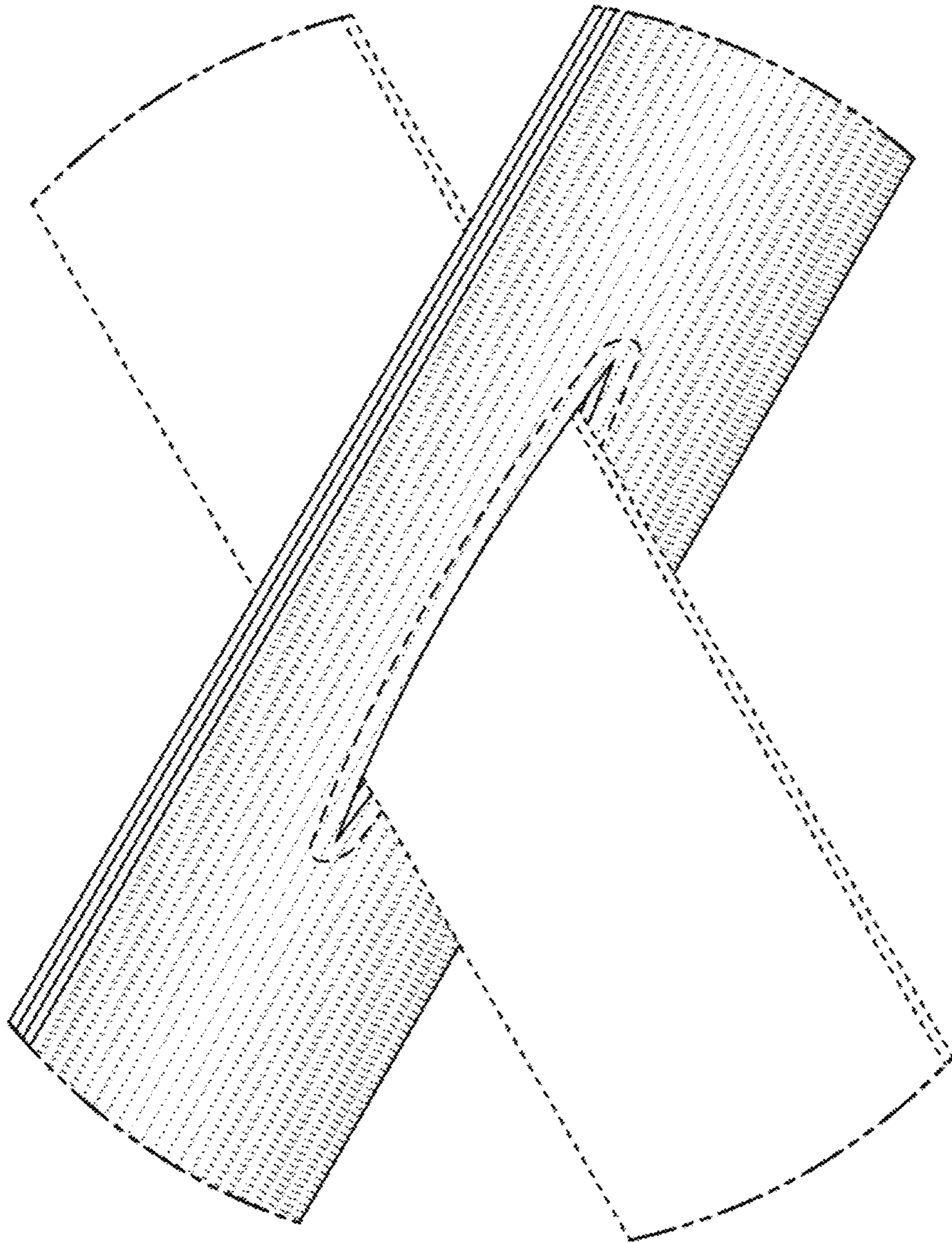


FIG. 10