



US00D977941S

(12) **United States Design Patent** (10) **Patent No.:** **US D977,941 S**
Cosby et al. (45) **Date of Patent:** **** Feb. 14, 2023**

(54) **REMOTE ACTUATOR FOR A LATCH**
 (71) Applicant: **D & D Group Pty Ltd**, Frenchs Forest (AU)
 (72) Inventors: **Scott Anthony Cosby**, Narraweena (AU); **James Scarlett**, Springwood (AU); **Tom Wilson**, Manly (AU)
 (73) Assignee: **D & D Group Pty Ltd**, Frenchs Forest (AU)

Primary Examiner — Calvin E Vansant
Assistant Examiner — Michael A Kervin
 (74) *Attorney, Agent, or Firm* — Kelly & Kelley, LLP

(**) Term: **15 Years**
 (21) Appl. No.: **29/749,981**
 (22) Filed: **Sep. 10, 2020**

(57) **CLAIM**
 The ornamental design for a remote actuator for a latch, as shown and described.

(30) **Foreign Application Priority Data**
 Sep. 1, 2020 (AU) 202014774
 (51) **LOC (14) Cl.** **08-07**
 (52) **U.S. Cl.**
 USPC **D8/343**; D8/331
 (58) **Field of Classification Search**
 USPC D8/302, 308, 331, 336, 338–339, 341,
 D8/397–399; D23/262, 265

DESCRIPTION

FIG. 1 is a perspective view of a remote actuator for a latch, according to a first embodiment;
 FIG. 2 is an opposite perspective view of the remote actuator for a latch of FIG. 1;
 FIG. 3 is a side view of the remote actuator for a latch of FIG. 1;
 FIG. 4 is a front view of the remote actuator for a latch of FIG. 1;
 FIG. 5 is an opposite side view of the remote actuator for a latch of FIG. 1;
 FIG. 6 is a top view of the remote actuator for a latch of FIG. 1;
 FIG. 7 is a bottom view of the remote actuator for a latch of FIG. 1;
 FIG. 8 is a perspective view of a remote actuator for a latch, according to a second embodiment;
 FIG. 9 is an opposite perspective view of the remote actuator for a latch of FIG. 8;
 FIG. 10 is a side view of the remote actuator for a latch of FIG. 8;
 FIG. 11 is a front view of the remote actuator for a latch of FIG. 8;
 FIG. 12 is an opposite side view of the remote actuator for a latch of FIG. 8;
 FIG. 13 is a top view of the remote actuator for a latch of FIG. 8; and,
 FIG. 14 is a bottom view of the remote actuator for a latch of FIG. 8.

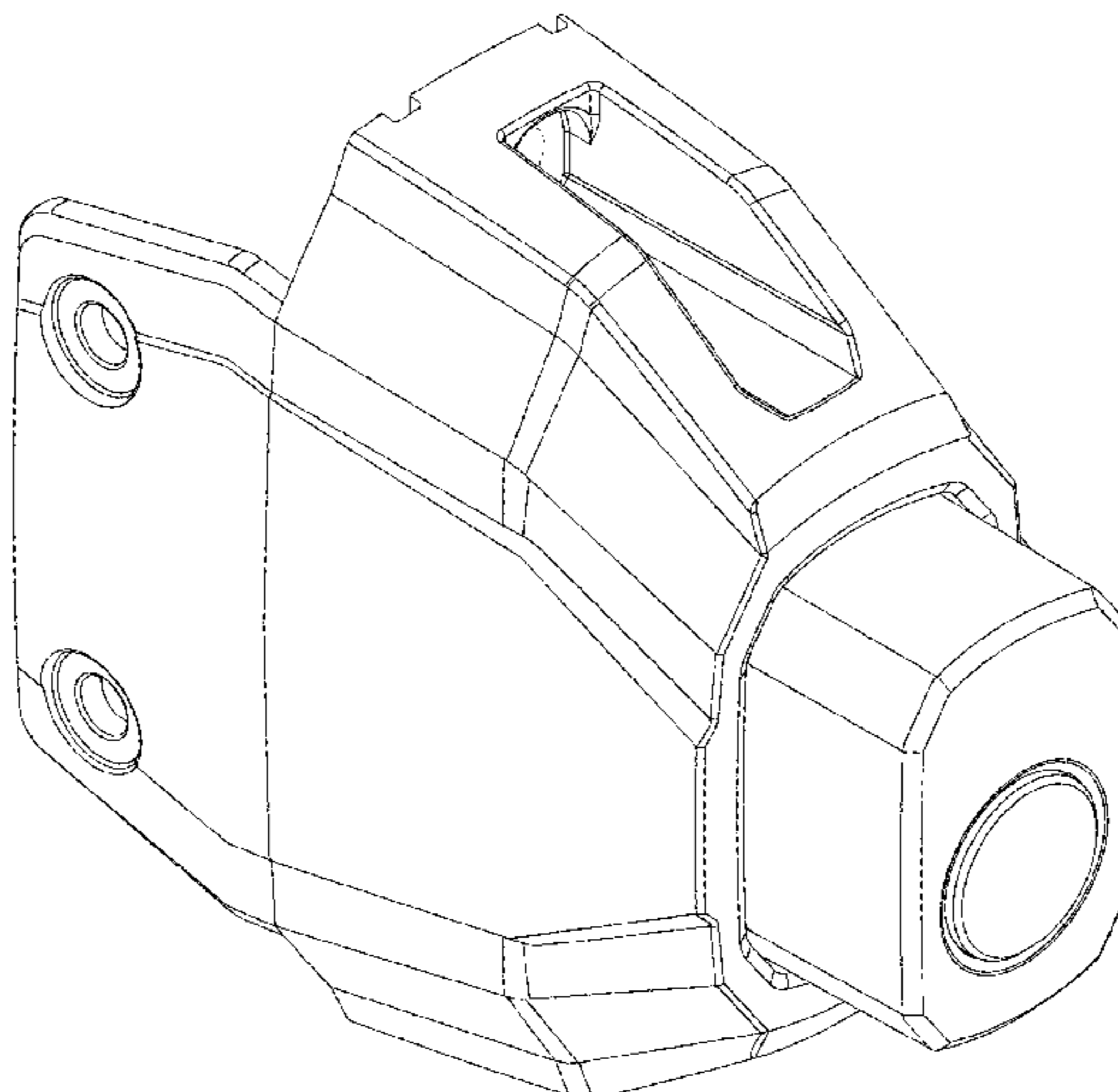
(56) **References Cited**
 U.S. PATENT DOCUMENTS
 6,058,747 A * 5/2000 Doyle E05B 13/105
 292/135
 D484,389 S * 12/2003 Evans D8/331
 (Continued)

OTHER PUBLICATIONS
 “National Hardware LokkLatch Automatic Keyed Gate Lock”, Nov. 10, 2016, Amazon.com, site visited Jun. 1, 2022: <https://www.amazon.com/National-Hardware-N346-201-V6201-LokkLatch/dp/B01N030SXM> (Year: 2016).*

The broken line showing of a remote actuator for a latch is for the purpose of illustrating portions of the article and forms no part of the claimed design.

(Continued)

1 Claim, 12 Drawing Sheets



(58) **Field of Classification Search**
 CPC E05B 65/0007; E05B 15/0093
 See application file for complete search history.

(56) **References Cited**

U.S. PATENT DOCUMENTS

| | | | | |
|------------|------|---------|---------------------|---------------------------|
| 7,021,678 | B1 * | 4/2006 | Raoult | A01K 1/0017 292/341.15 |
| 7,201,030 | B2 * | 4/2007 | Timothy | E05B 65/0007 70/135 |
| D563,767 | S * | 3/2008 | Antkowiak | D8/343 |
| D573,442 | S * | 7/2008 | Antkowiak | D8/331 |
| D627,622 | S * | 11/2010 | Cosby | D8/339 |
| 8,127,578 | B2 * | 3/2012 | Karcz | E05B 65/0007 292/216 |
| D684,841 | S * | 6/2013 | Brown | D8/331 |
| 8,966,947 | B2 * | 3/2015 | Karcz | E05B 57/00 292/216 |
| 9,476,228 | B2 * | 10/2016 | Karcz | E05C 3/24 |
| 10,000,944 | B2 * | 6/2018 | Cavallaro, Jr. | E05C 3/12 |
| 10,082,544 | B2 * | 9/2018 | Smith | E05C 19/168 |
| D927,958 | S * | 8/2021 | Scarlett | D8/331 |

| | | | | |
|--------------|------|--------|-------------------|---------------------------|
| 11,346,130 | B1 * | 5/2022 | Timothy | E05C 3/006 |
| 2006/0101876 | A1 * | 5/2006 | Timothy | E05B 65/0007 70/101 |
| 2007/0175249 | A1 * | 8/2007 | Karcz | E05B 65/0007 70/101 |
| 2007/0175250 | A1 * | 8/2007 | Karcz | E05C 3/30 70/101 |
| 2010/0032966 | A1 * | 2/2010 | Taglianetti | E05B 65/0014 292/216 |
| 2010/0045055 | A1 * | 2/2010 | Taglianetti | E05B 1/0015 292/341.15 |
| 2010/0123321 | A1 * | 5/2010 | Timothy | E05C 3/30 70/91 |
| 2021/0301555 | A1 * | 9/2021 | Cosby | E05B 9/08 |

OTHER PUBLICATIONS

“D&D Technologies LL3PWA LOKKLatch Plus”, Jul. 31, 2019, Amazon.com, site visited Jun. 1, 2022: <https://www.amazon.com/Technologies-LOKKLATCH-Adjustable-Vertical-Horizontal/dp/B07VWL4PTY> (Year: 2019).*

* cited by examiner

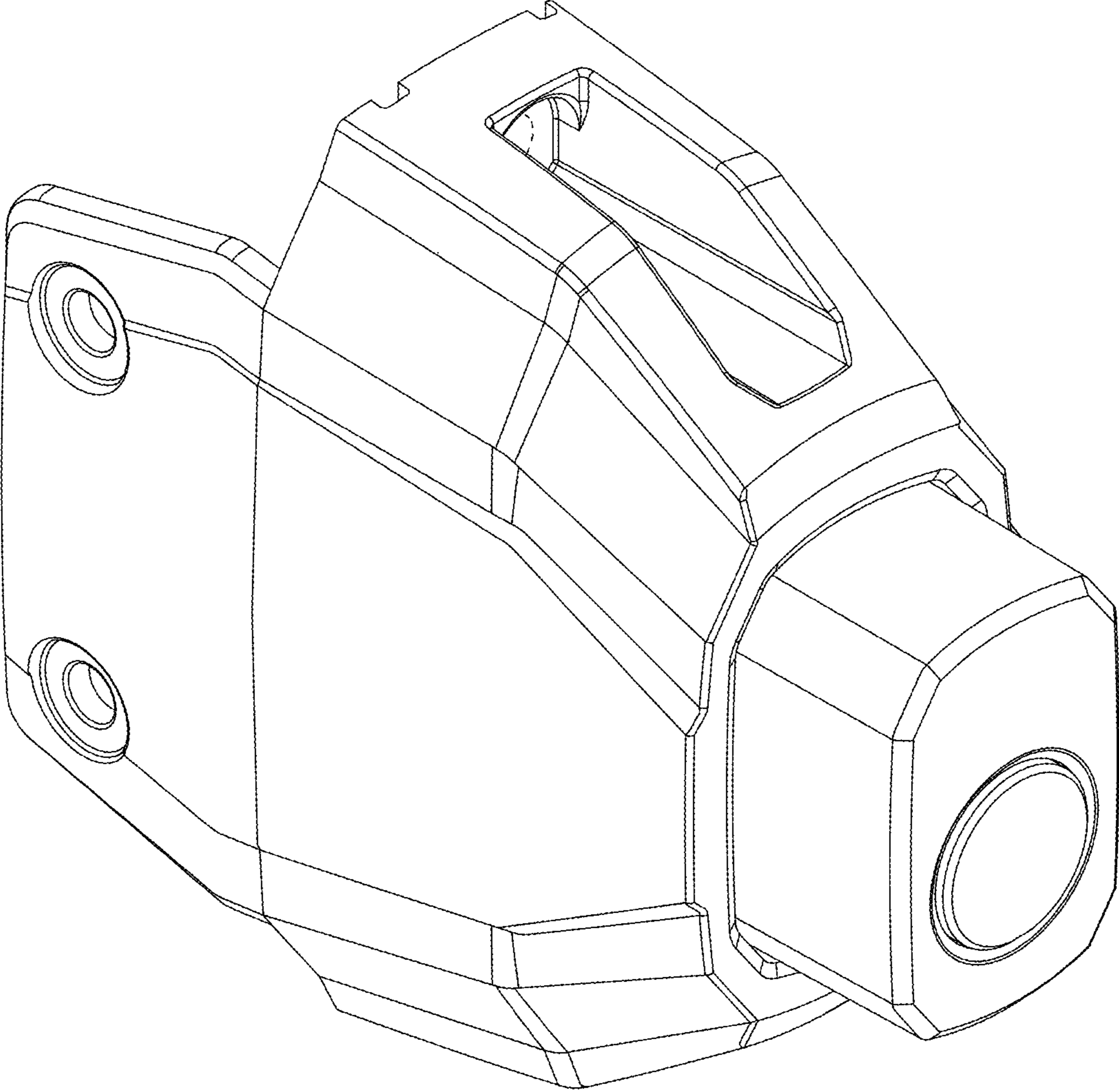


Fig. 1

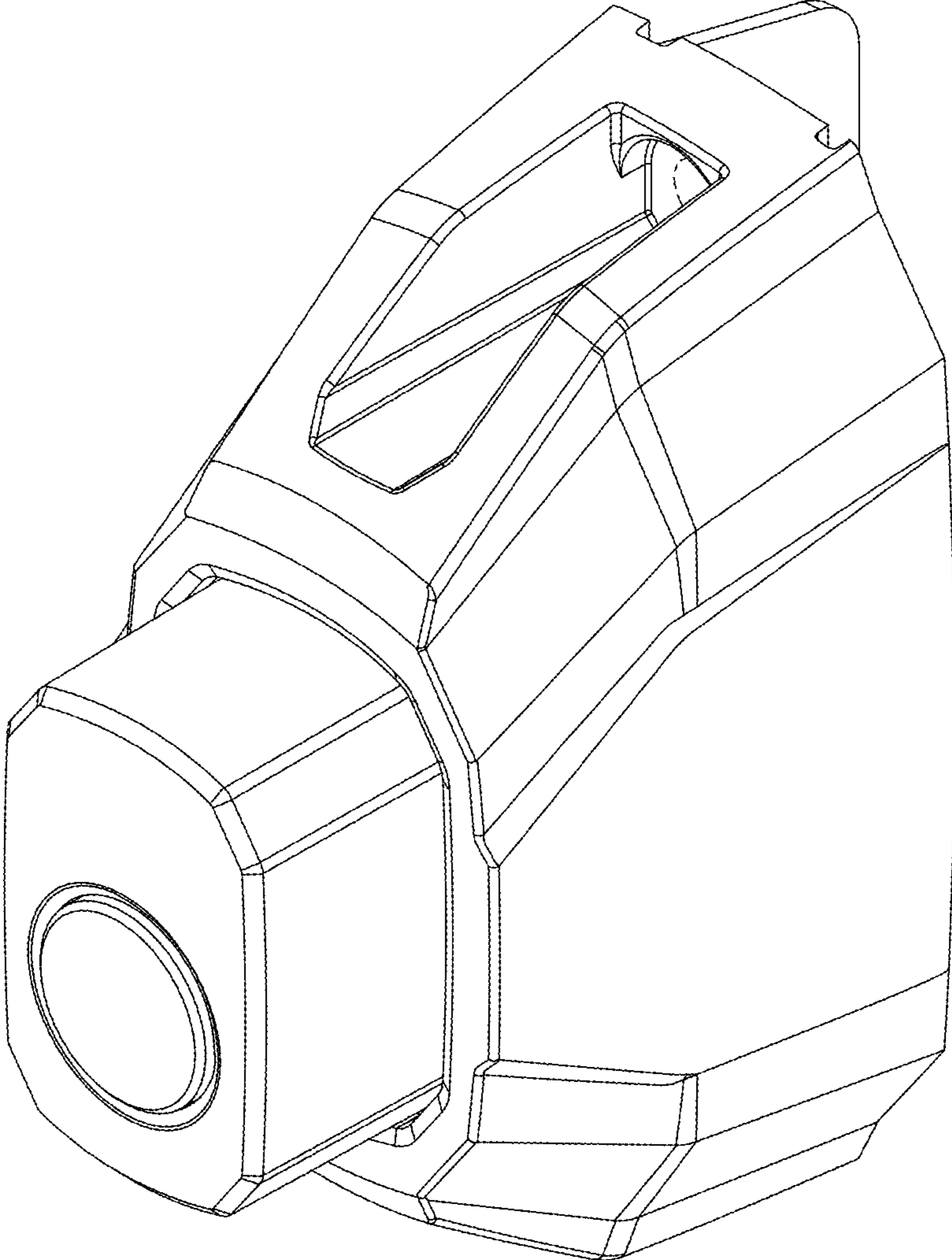


Fig. 2

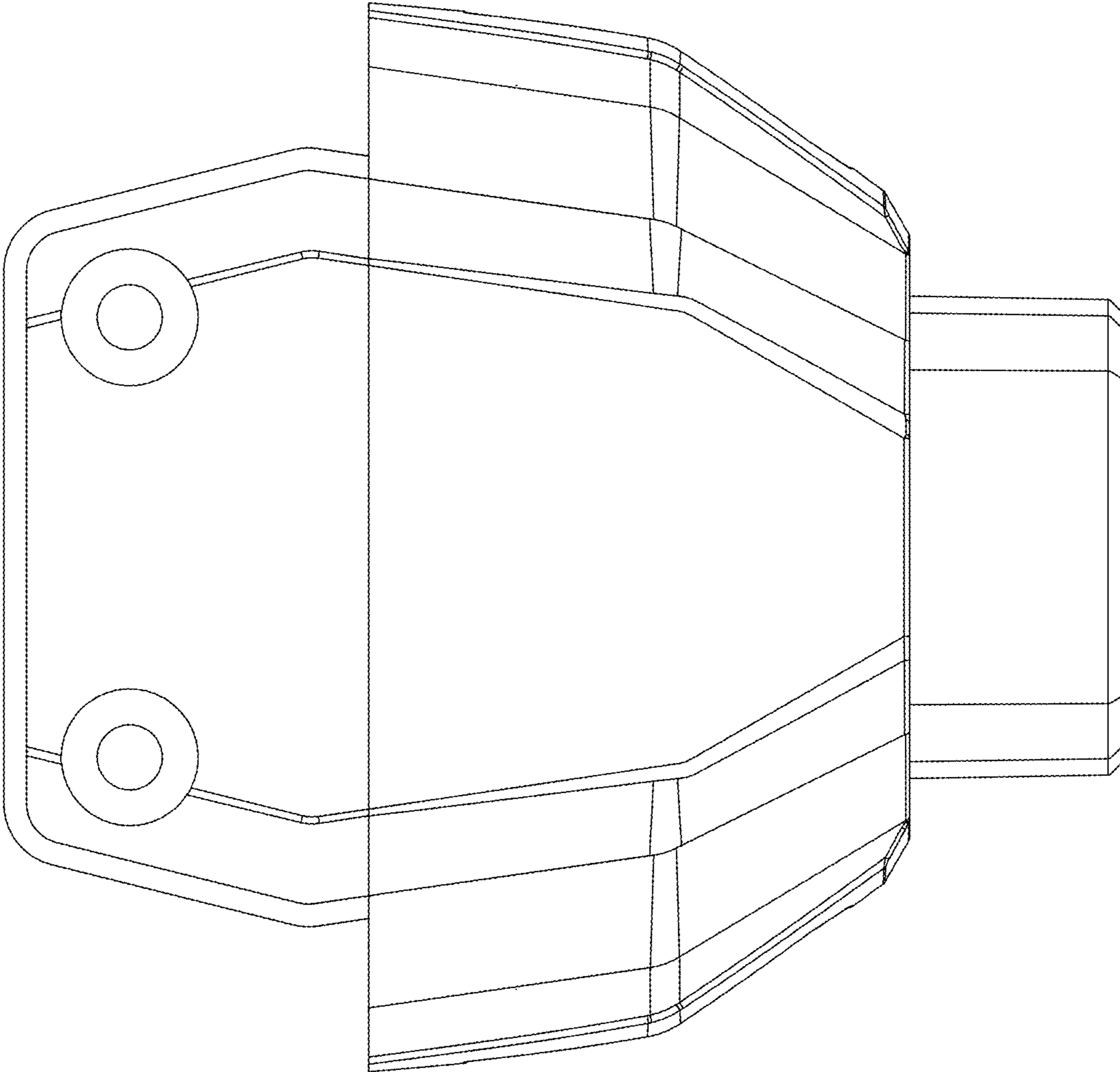


Fig. 3

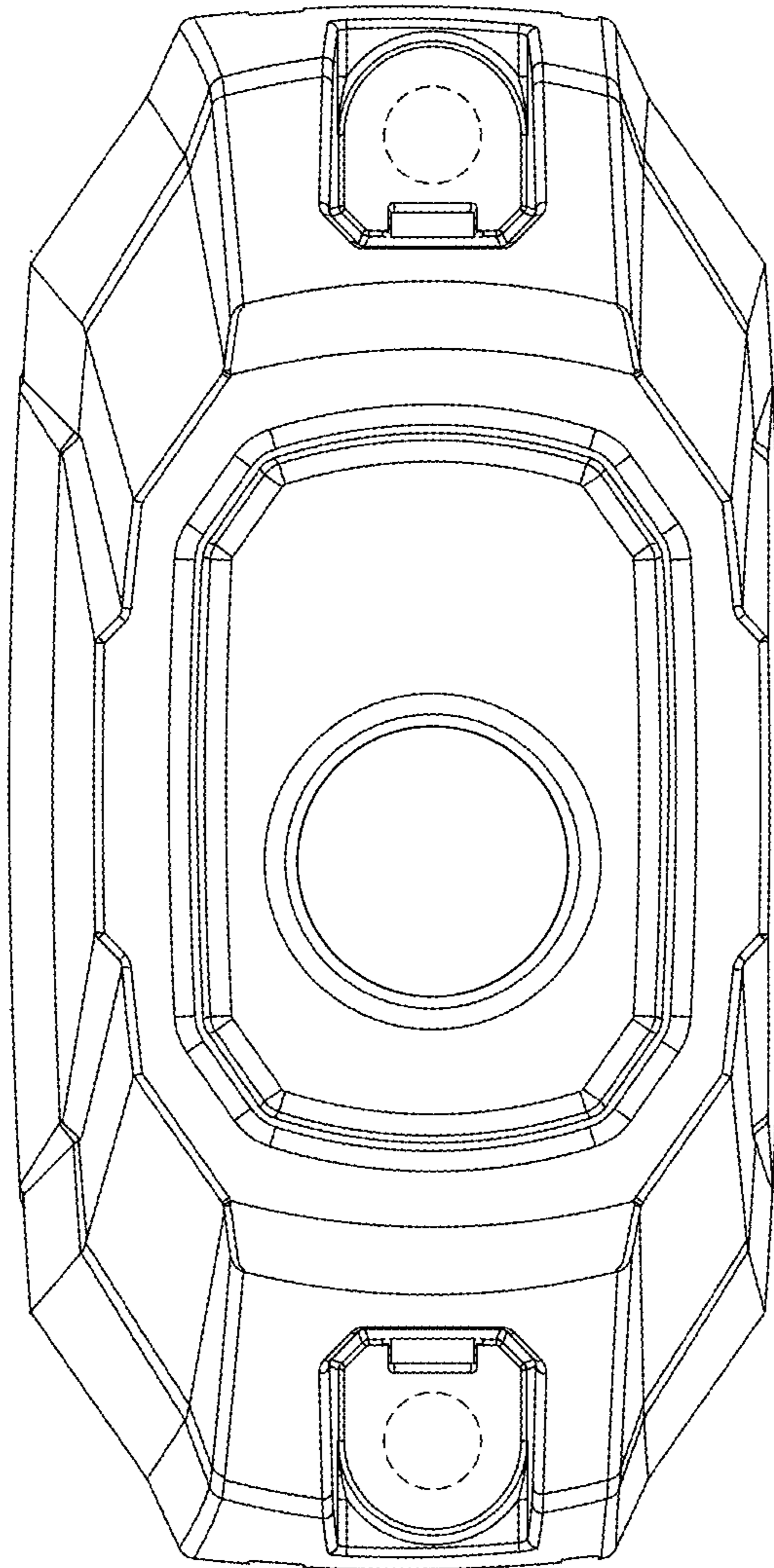


Fig. 4

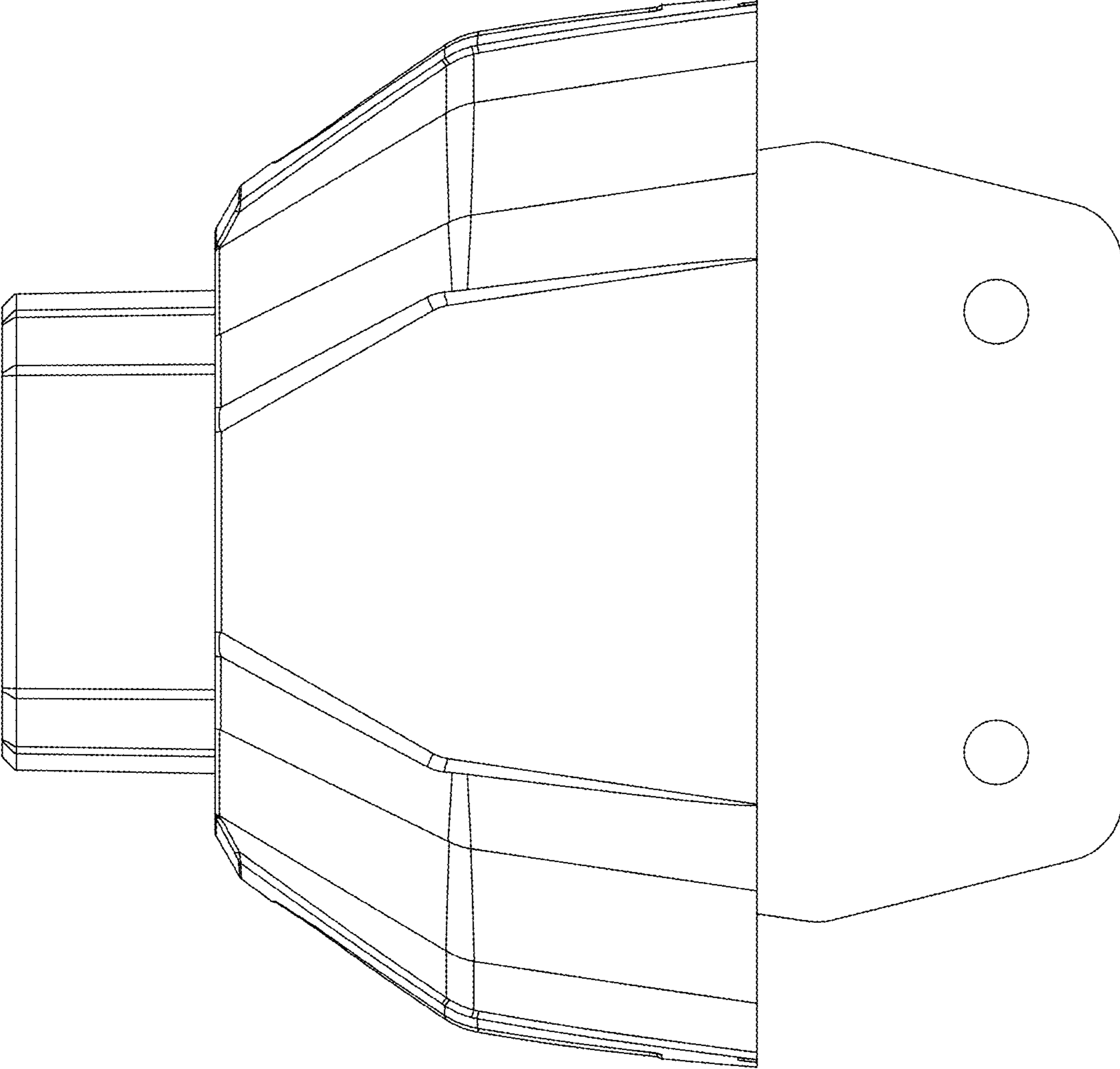


Fig. 5

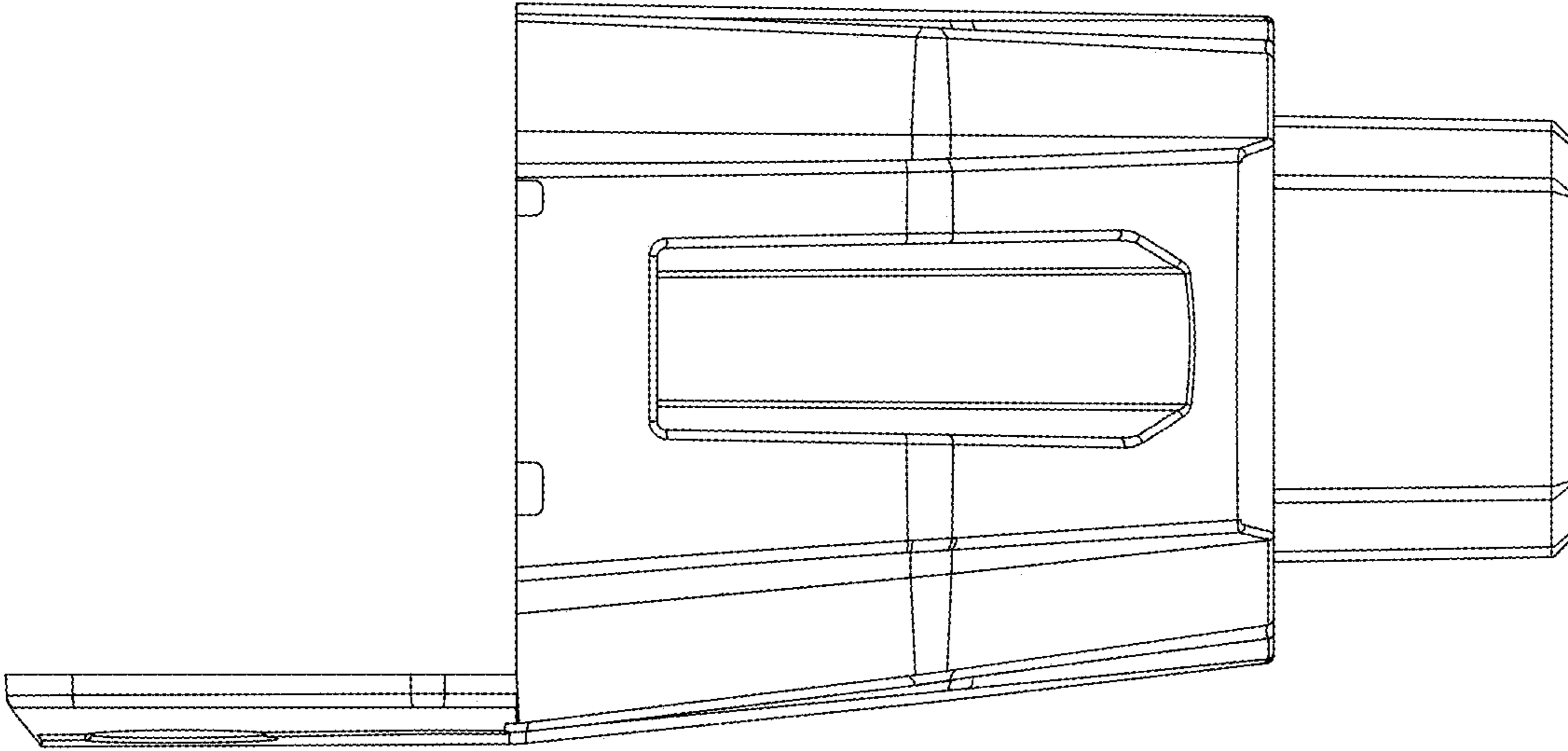


Fig. 6

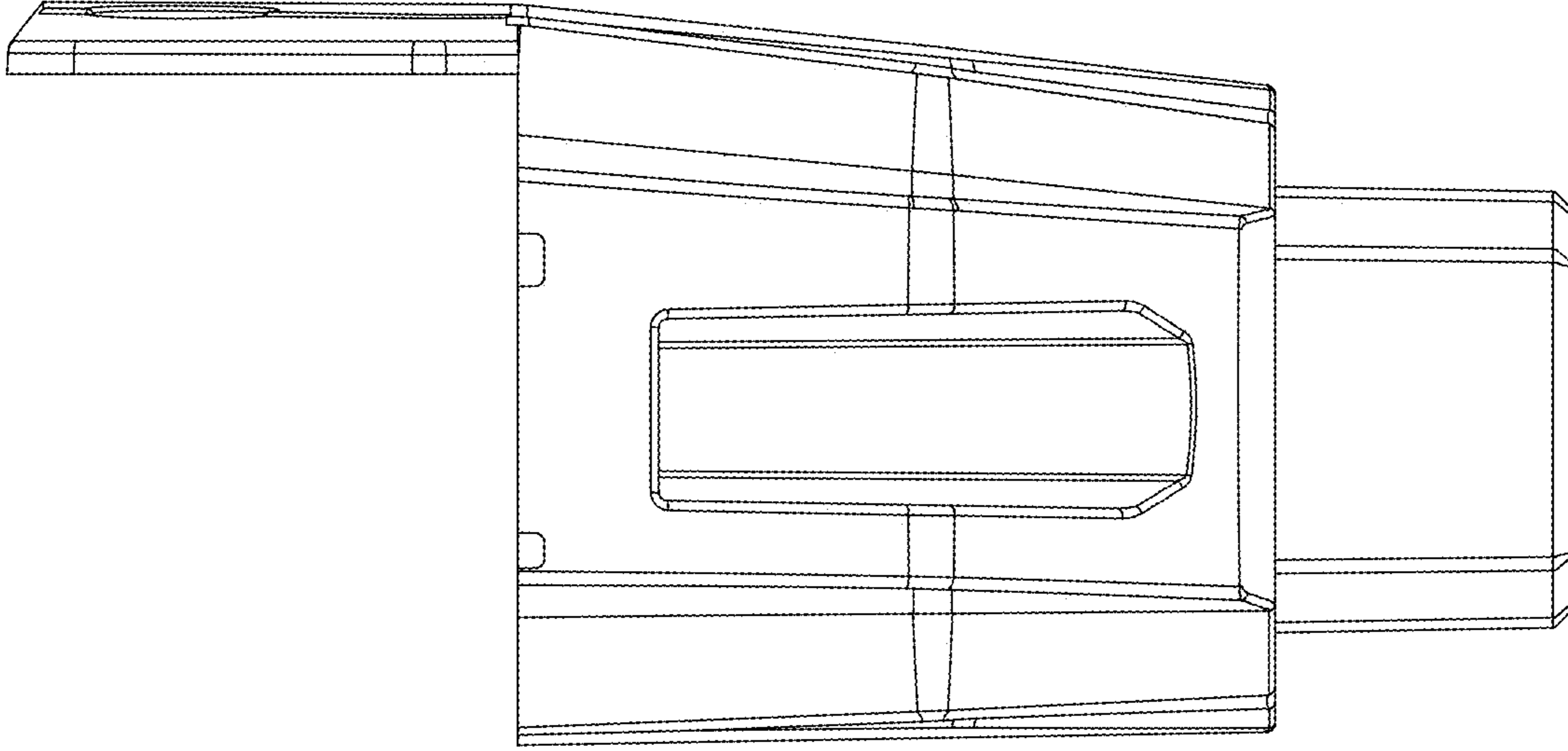


Fig. 7

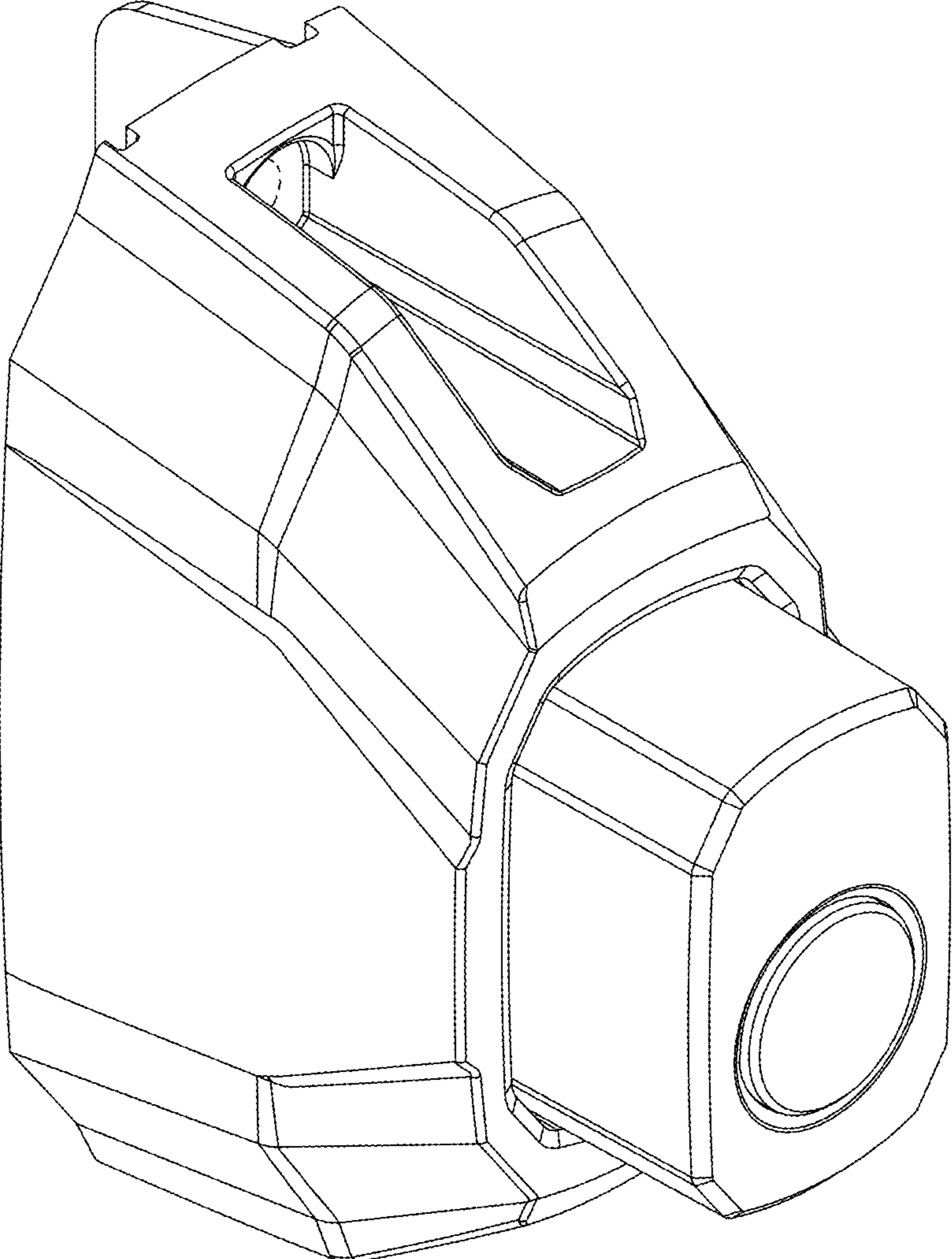


Fig. 8

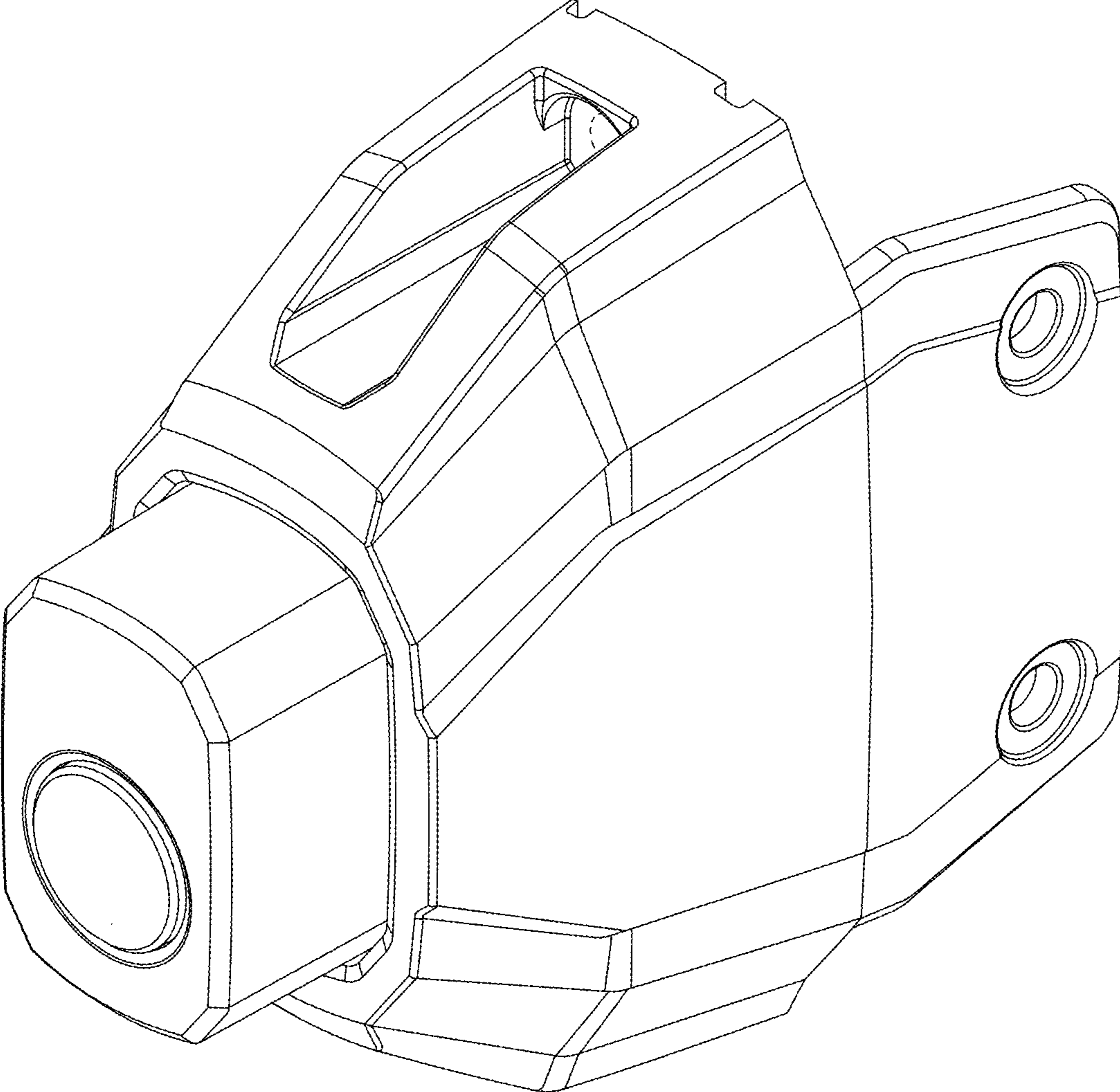


Fig. 9

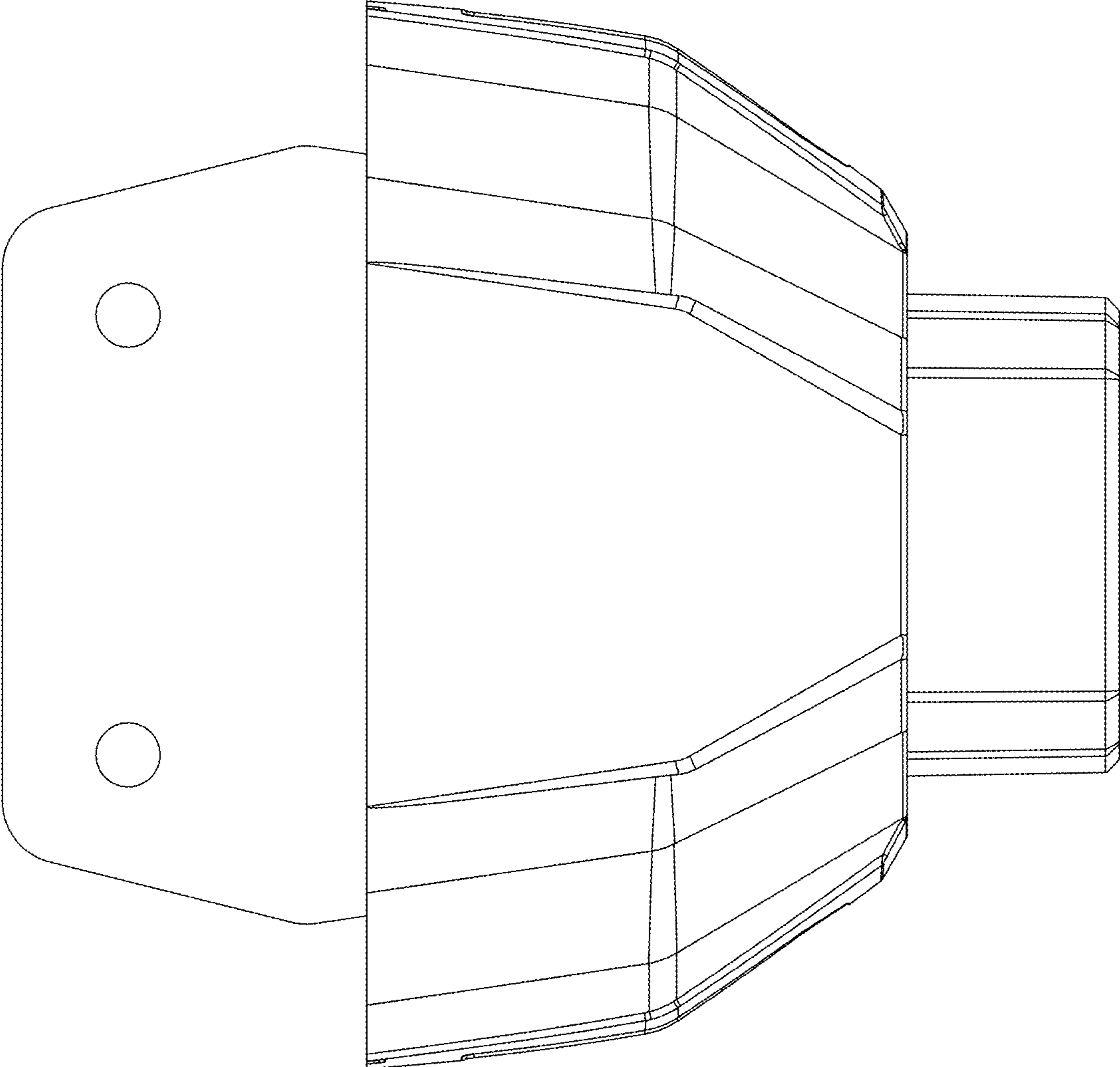


Fig. 10

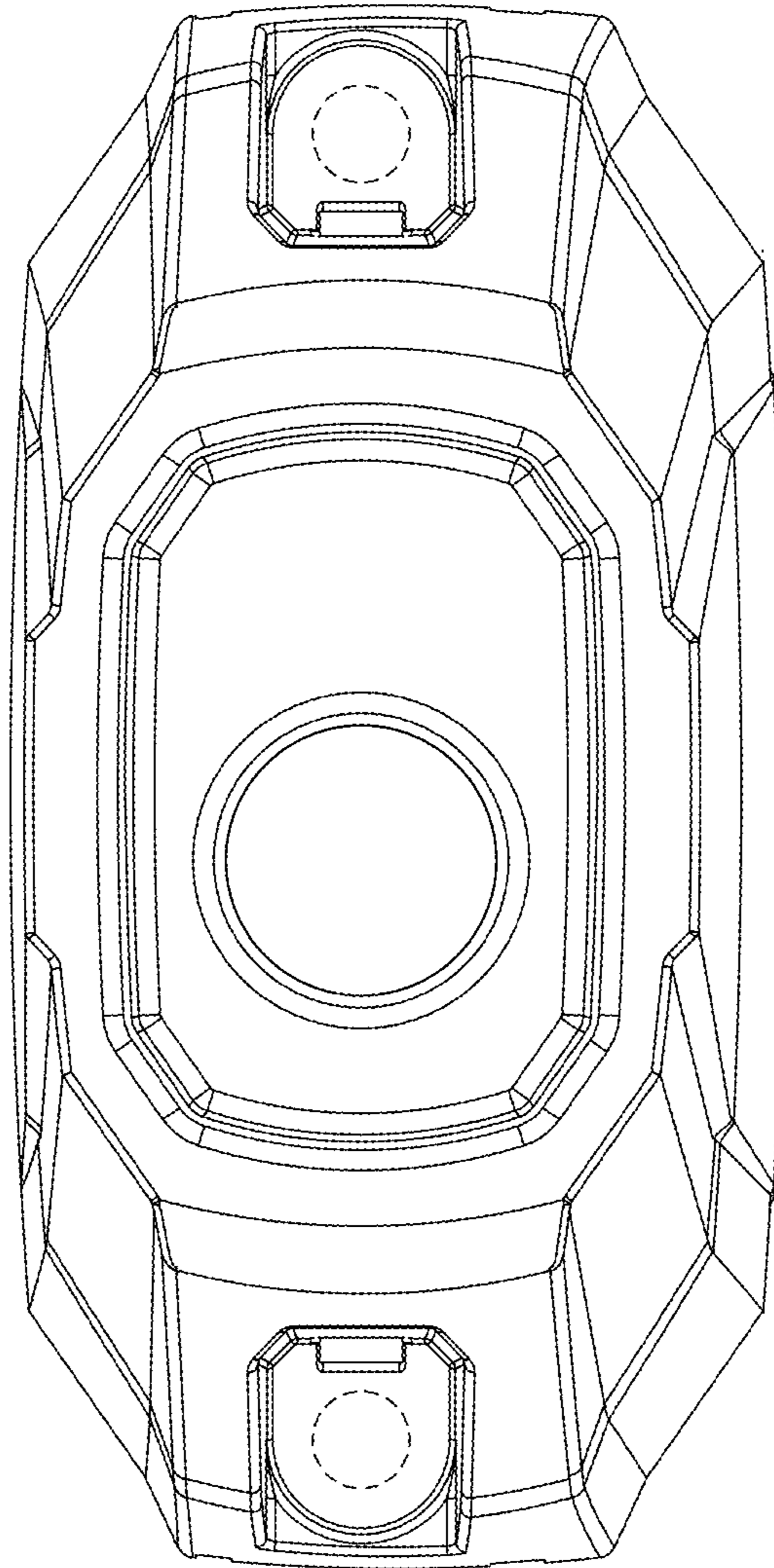


Fig. 11

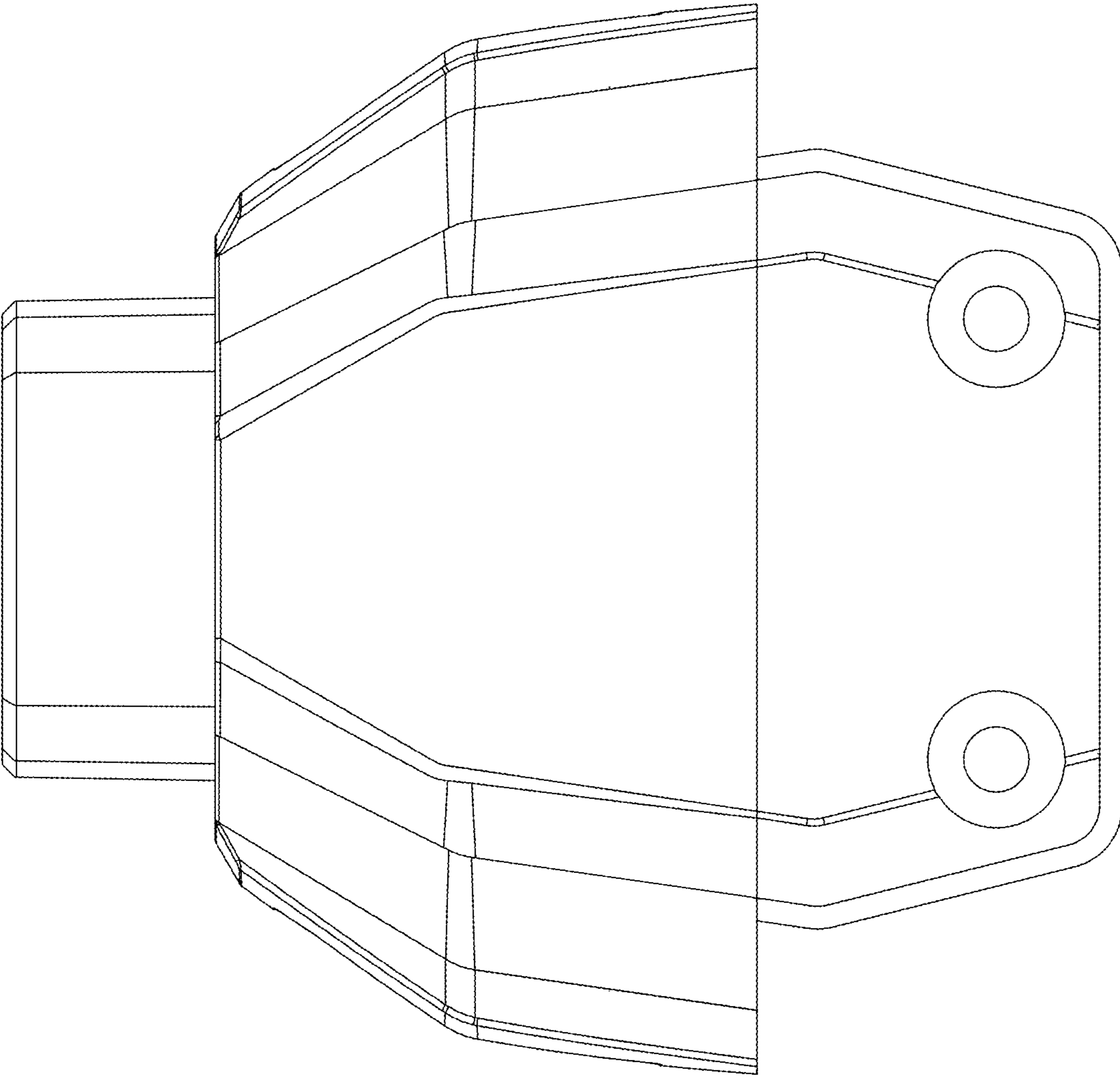


Fig. 12

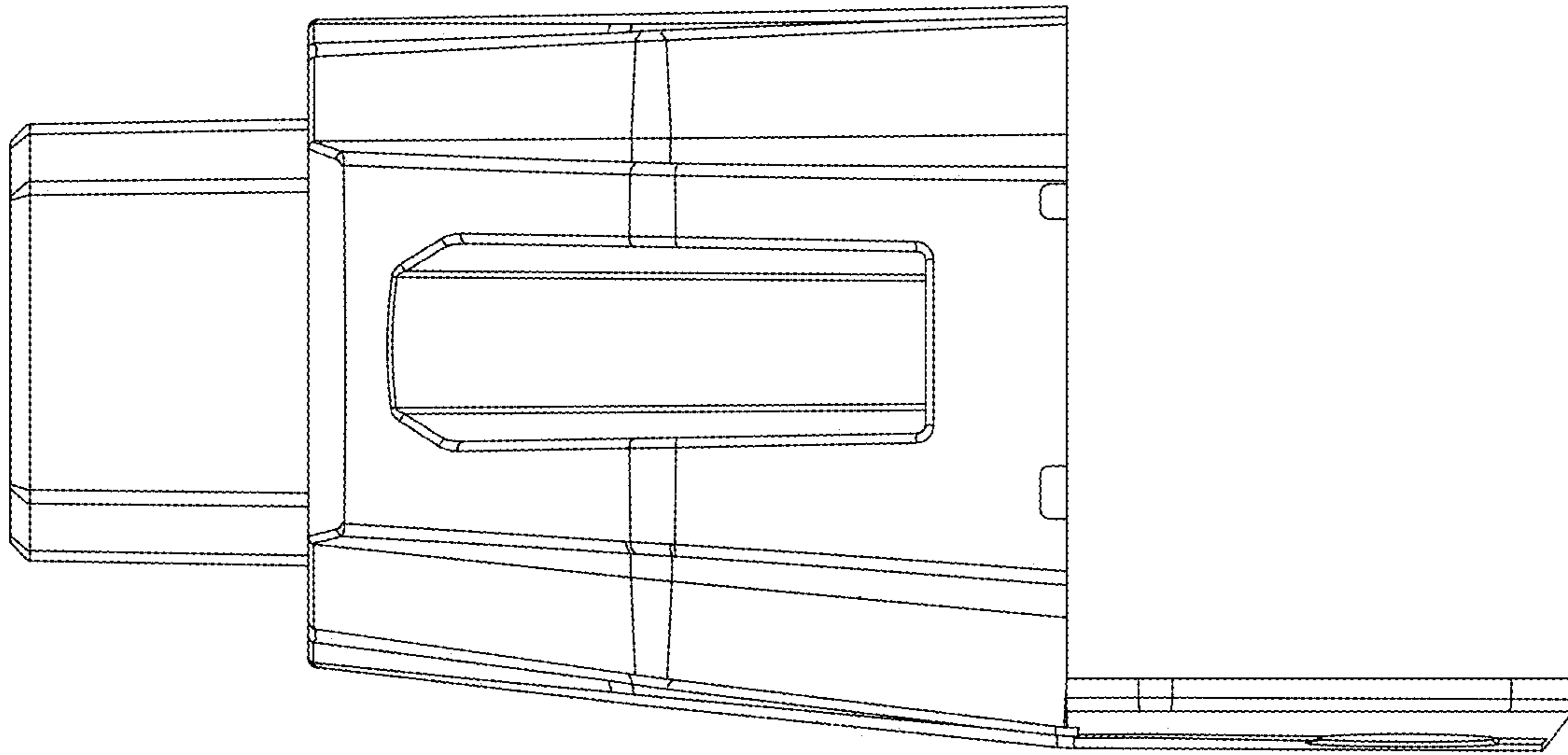


Fig. 13

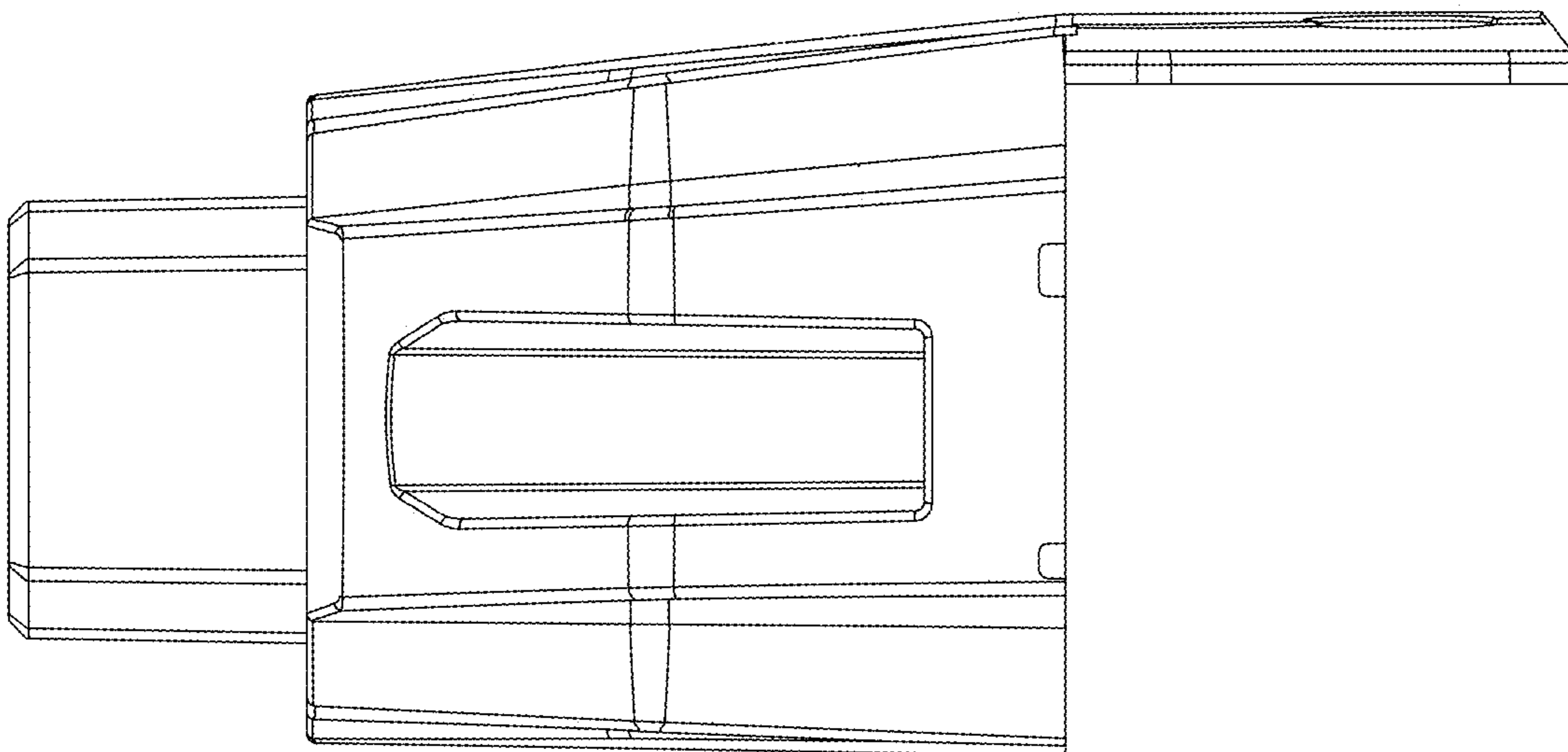


Fig. 14