



US00D977940S

(12) **United States Design Patent** (10) **Patent No.:** **US D977,940 S**
Alexandru (45) **Date of Patent:** **** Feb. 14, 2023**

(54) **TEN DIGITS KEYLESS ENTRY RV DOOR LOCK**

(71) Applicant: **Pana Florin Alexandru**, Bucharest (RO)

(72) Inventor: **Pana Florin Alexandru**, Bucharest (RO)

(**) Term: **15 Years**

(21) Appl. No.: **29/854,952**

(22) Filed: **Sep. 29, 2022**

(51) **LOC (14) Cl.** **08-07**

(52) **U.S. Cl.**
USPC **D8/331**

(58) **Field of Classification Search**
USPC D8/331
CPC E05B 9/002; E05B 37/0031; E05B 2009/004; E05B 2009/006; E05B 83/02; E05B 83/12; E05B 83/44; E05B 83/42; G05B 9/02; G05B 19/04; G05B 19/02; G05B 19/41835; G07C 9/00309; G07C 9/0069; G07C 2009/00452; Y10T 70/7068; Y10T 70/7141; Y10T 70/7237; Y10T 70/8568

See application file for complete search history.

(56) **References Cited**

U.S. PATENT DOCUMENTS

5,845,523 A * 12/1998 Butterweck E05B 47/0673 292/144
5,923,264 A * 7/1999 Lavelle G07C 9/33 235/382
6,701,761 B1 * 3/2004 Chang E05B 35/08 70/369

D618,081 S * 6/2010 Moyer D8/331
D634,181 S 3/2011 Kang
D731,286 S * 6/2015 Gokcebay D8/331
D802,396 S 11/2017 Hsu
9,940,767 B2 4/2018 Bacon
D818,797 S 5/2018 Morstatt
D835,970 S 12/2018 Morstatt
10,233,672 B2 3/2019 McKibben et al.
D923,453 S 6/2021 Chen
D937,657 S 12/2021 Chen
D938,799 S 12/2021 Wei
2012/0042703 A1* 2/2012 Chang E05B 47/0603 70/63

OTHER PUBLICATIONS

Design search report, Aug. 1, 2022.

* cited by examiner

Primary Examiner — Doris Clark

(74) *Attorney, Agent, or Firm* — Bay State IP, LLC

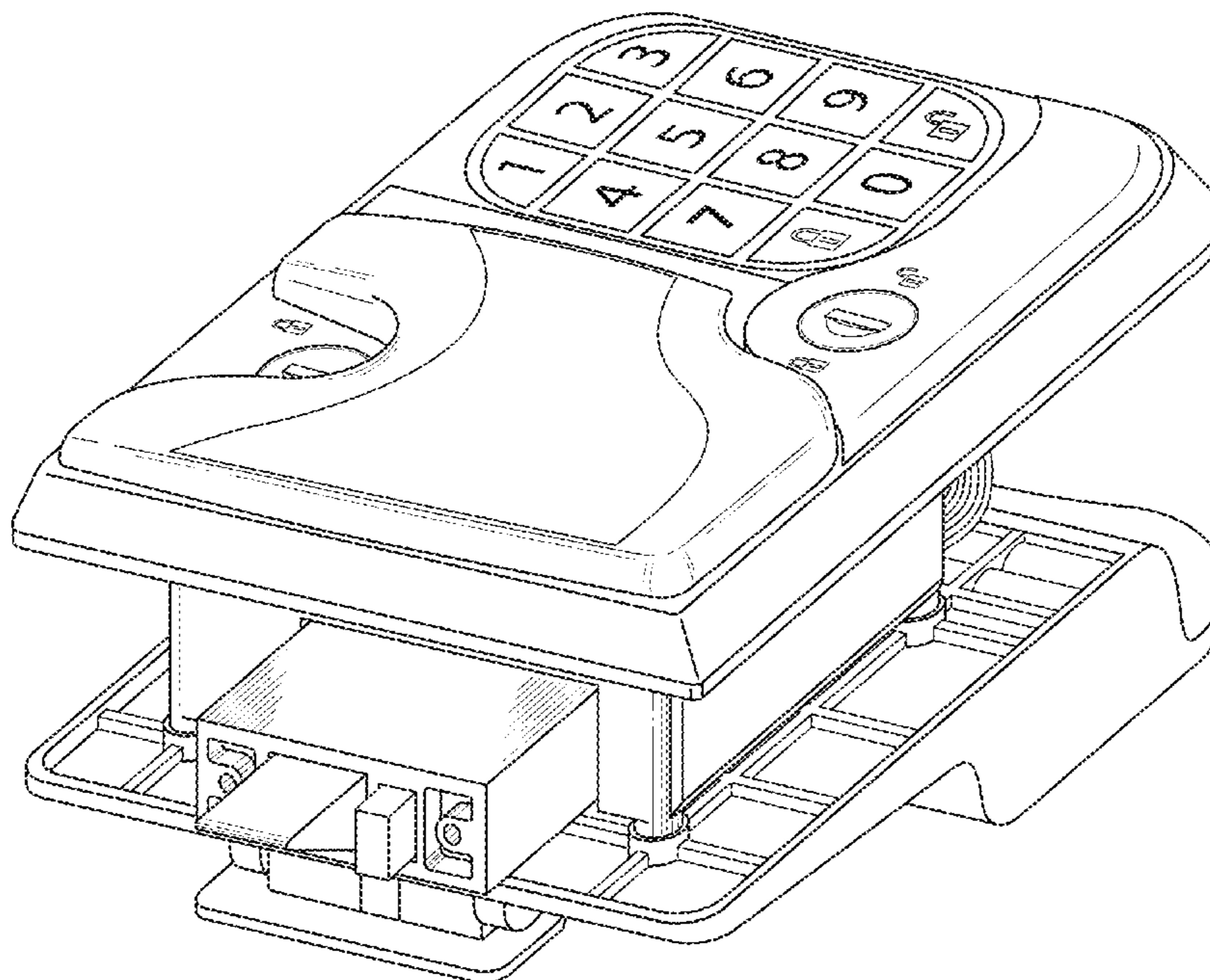
(57) **CLAIM**

The ornamental design for a ten digits keyless entry Rv door lock, as shown and described.

DESCRIPTION

FIG. 1 is a perspective view of a ten digits keyless entry Rv door lock showing my new design;
FIG. 2 is a bottom perspective view thereof;
FIG. 3 is a top view thereof;
FIG. 4 is a bottom view thereof;
FIG. 5 is a right side view thereof;
FIG. 6 is a left side view thereof;
FIG. 7 is a front view thereof; and,
FIG. 8 is a back view thereof.

1 Claim, 8 Drawing Sheets



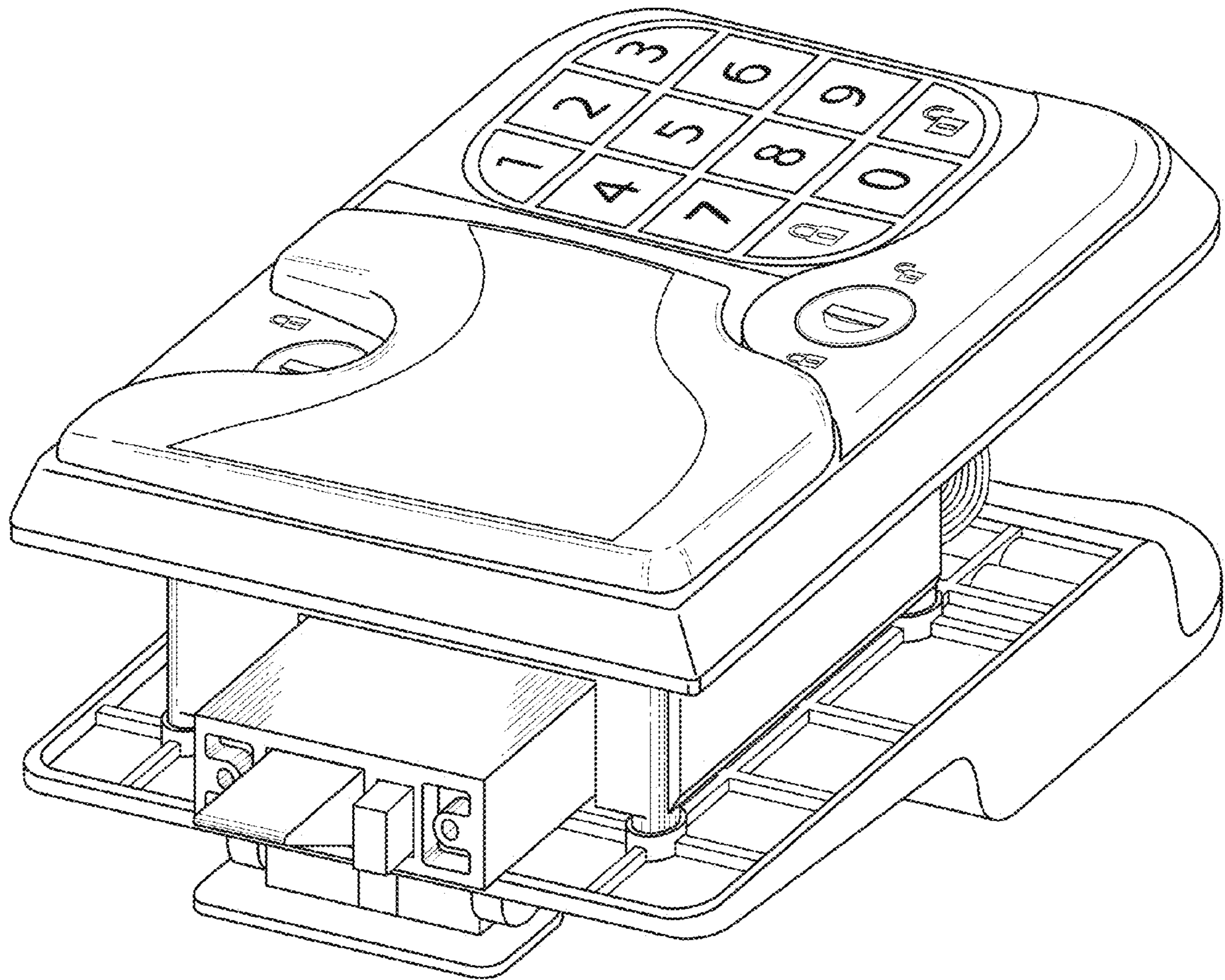


Fig. 1

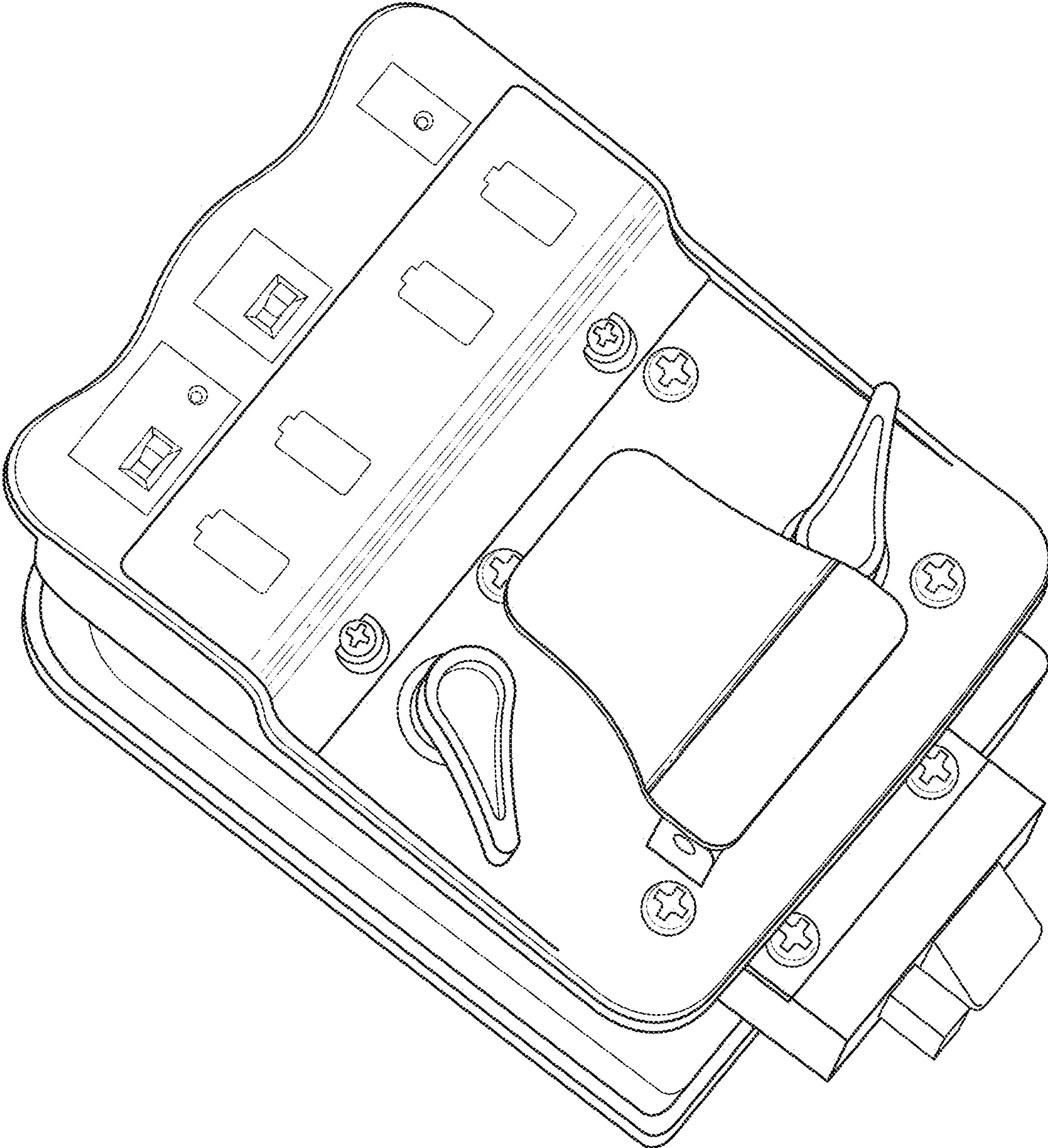


Fig. 2

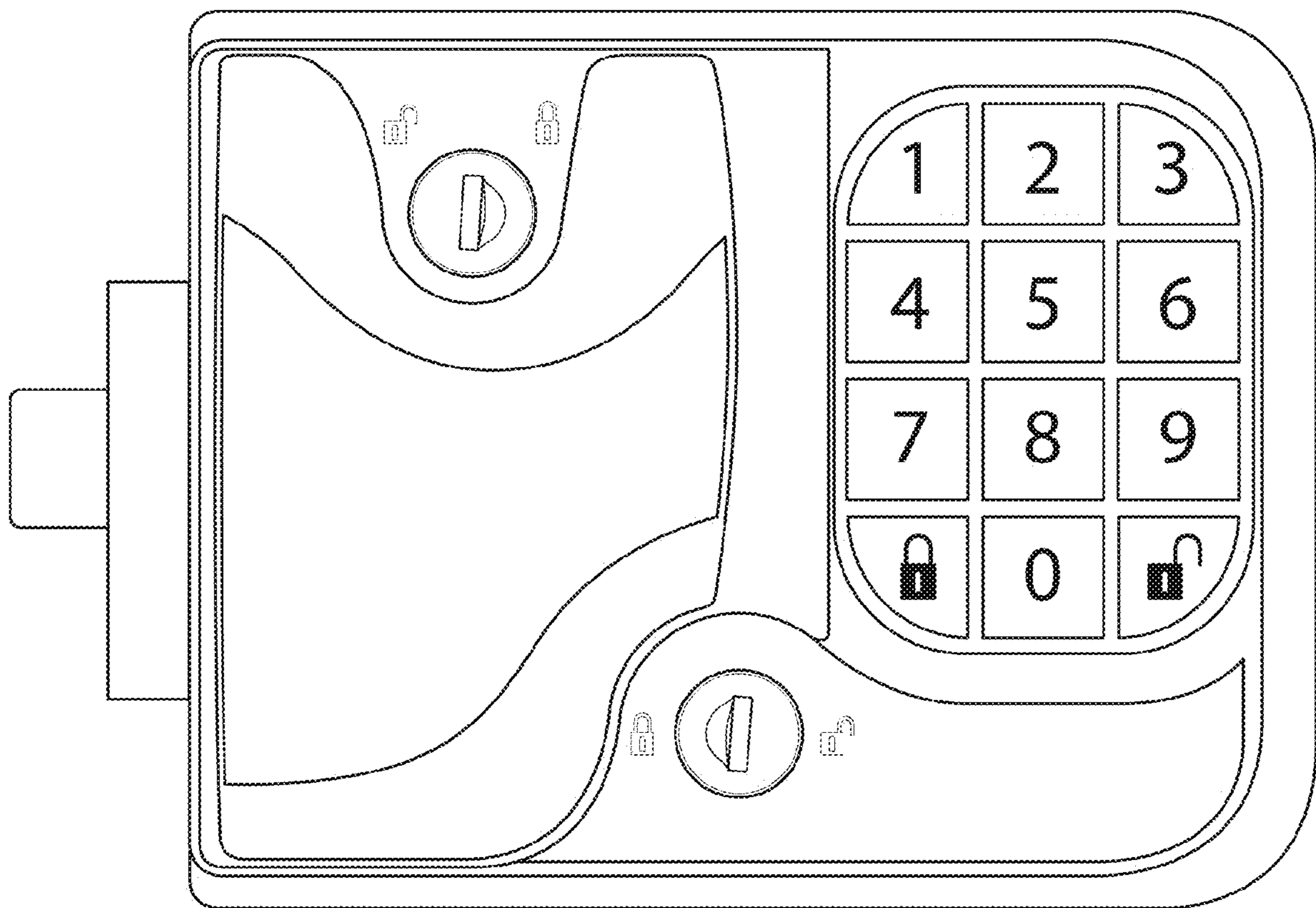


Fig. 3

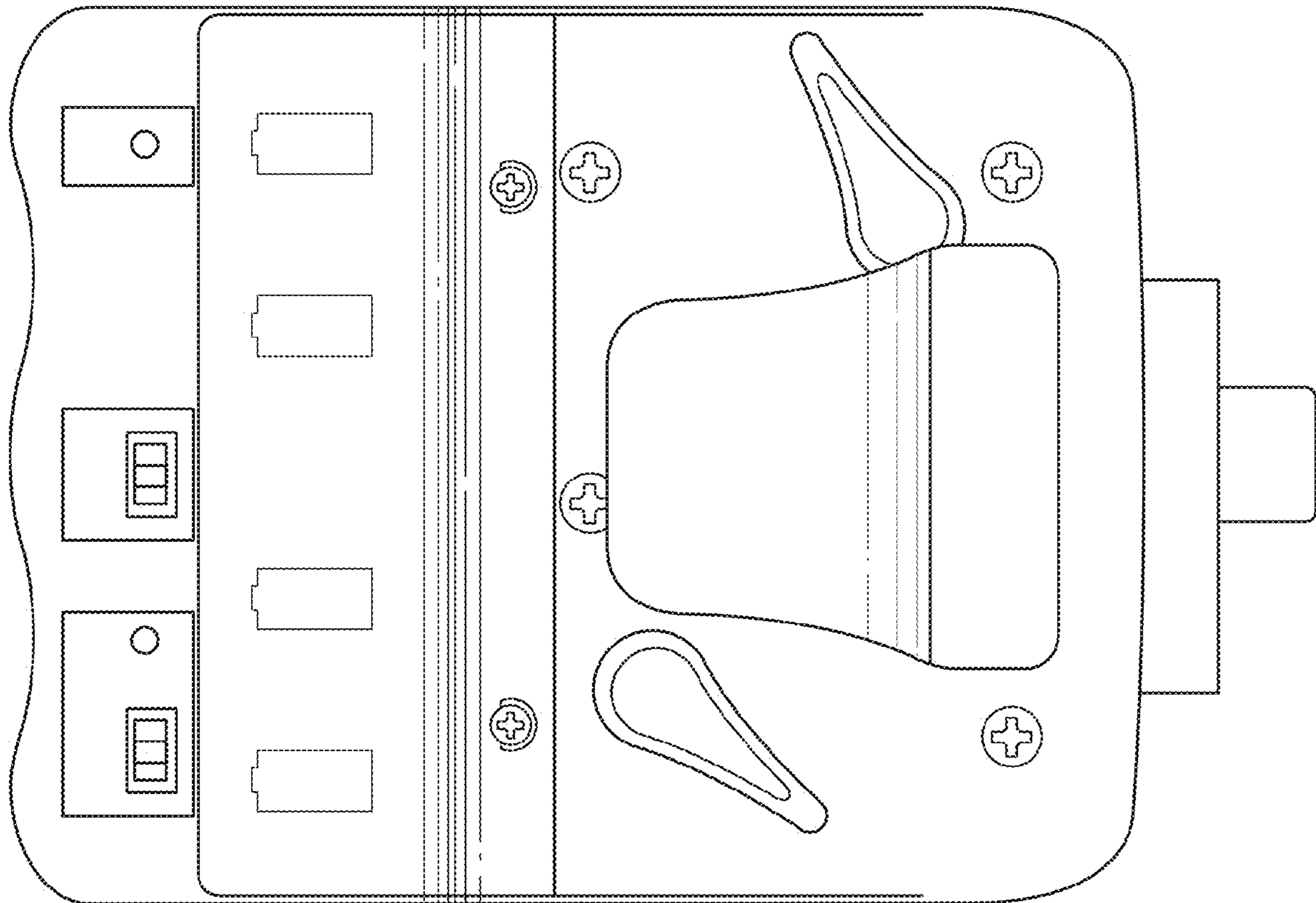


Fig. 4

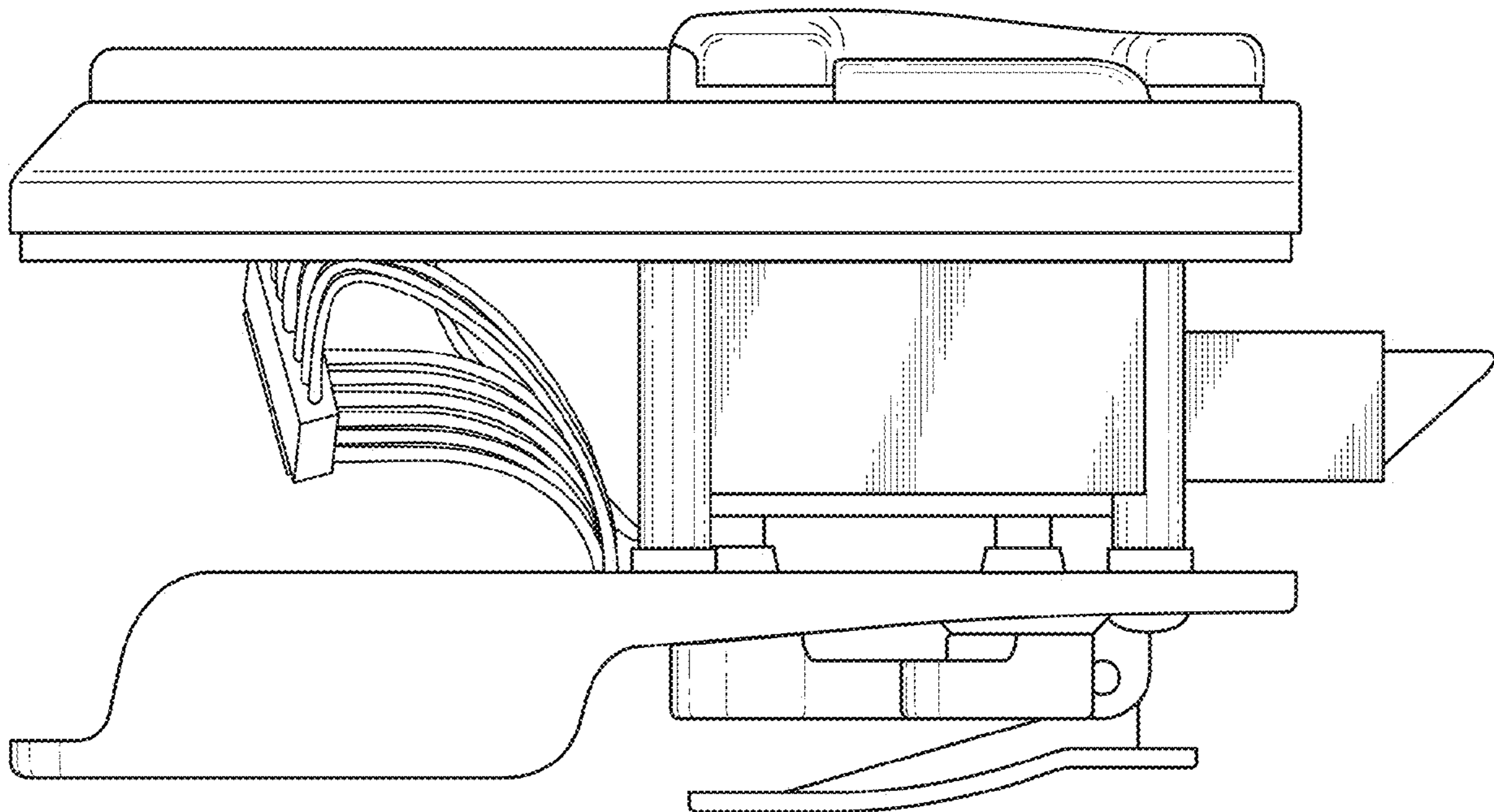


Fig. 5

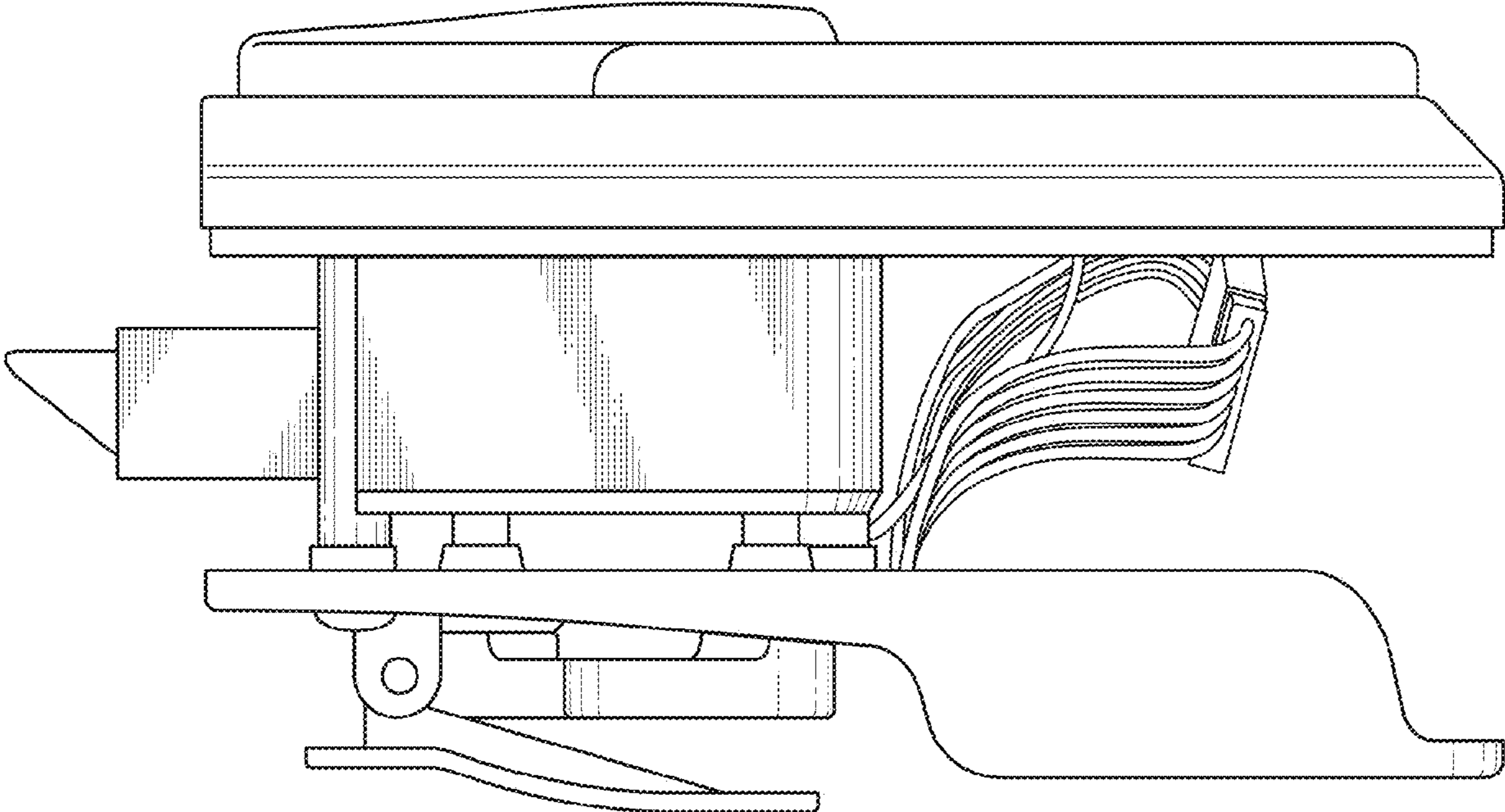


Fig. 6

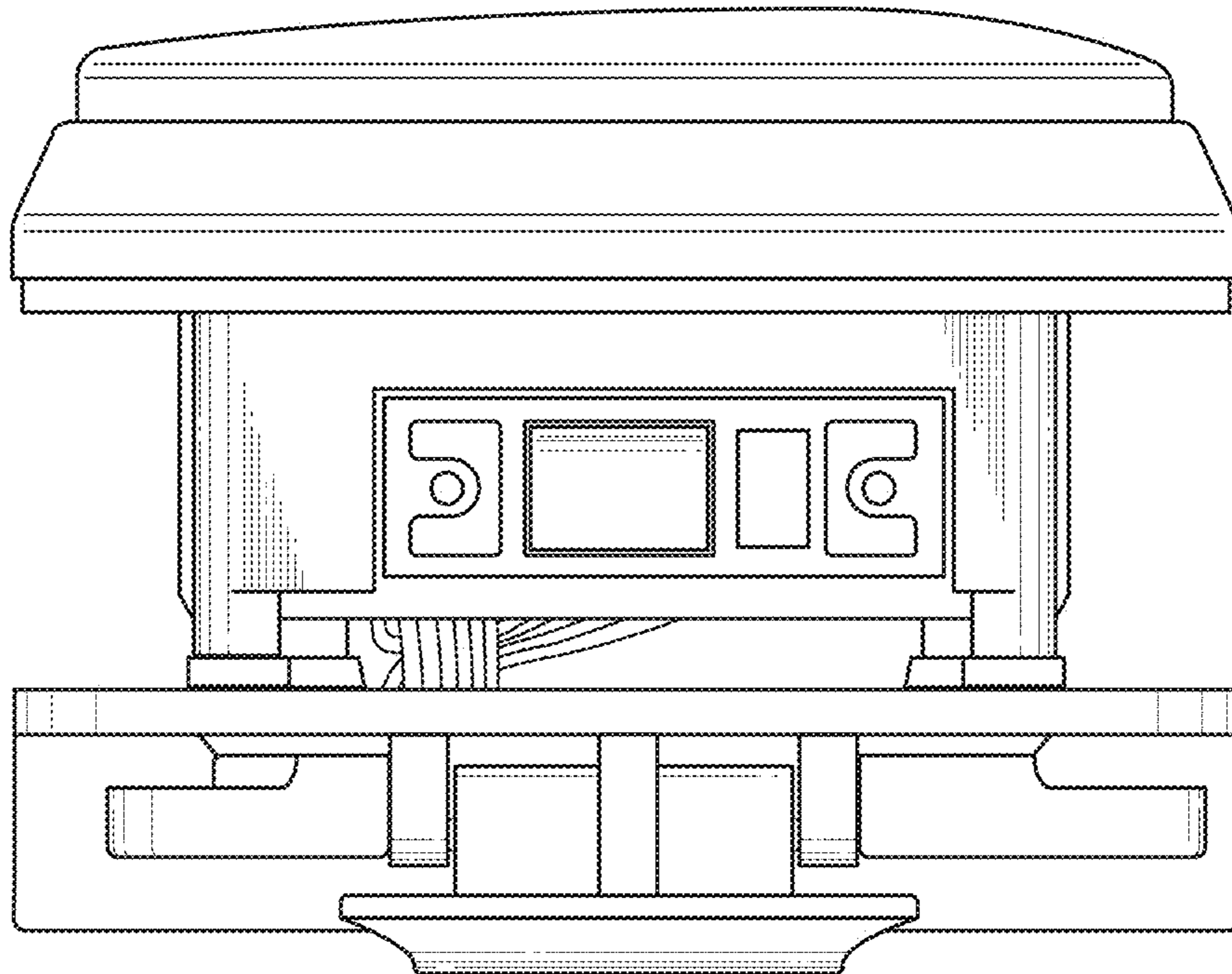


Fig. 7

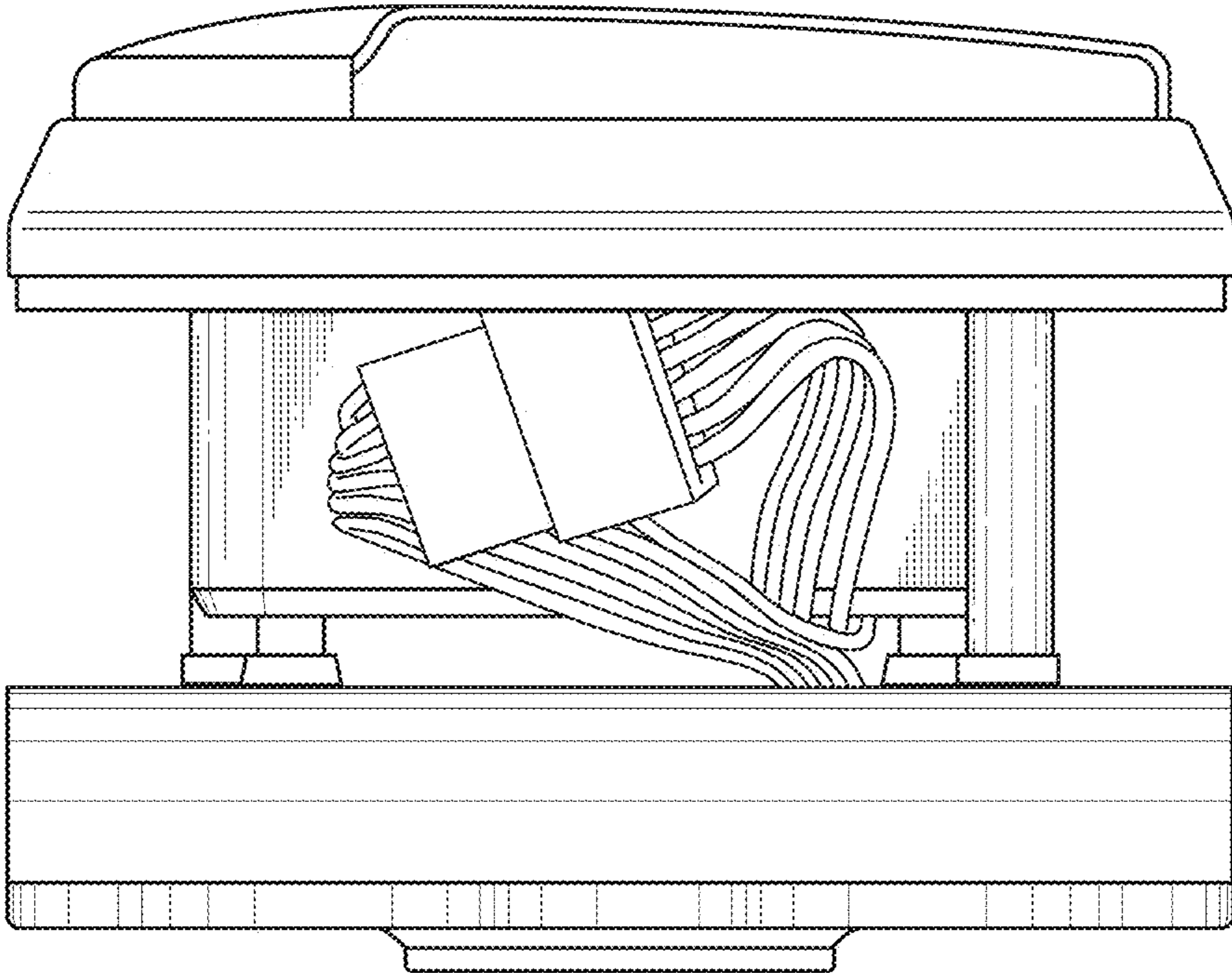


Fig. 8