

US00D977938S

(12) **United States Design Patent** (10) **Patent No.:** **US D977,938 S**
Marsden (45) **Date of Patent:** **** Feb. 14, 2023**

- (54) **HINGE BOLT**
- (71) Applicant: **Elbee Pty Ltd.**, Bondi Junction (AU)
- (72) Inventor: **Andrew Marsden**, Hingham, MA (US)
- (73) Assignee: **Elbee Pty Ltd.**, Bondi Junction (AU)
- (**) Term: **15 Years**
- (21) Appl. No.: **29/836,663**
- (22) Filed: **Apr. 28, 2022**

Related U.S. Application Data

- (62) Division of application No. 29/722,669, filed on Jan. 31, 2020, now Pat. No. Des. 955,202.
- (51) **LOC (14) Cl.** **08-06**
- (52) **U.S. Cl.**
USPC **D8/323**
- (58) **Field of Classification Search**
USPC D8/323
CPC .. E05D 7/107; E05D 3/02; E05D 3/00; Y10T 16/52; Y10T 16/528; Y10T 16/53615; Y10T 16/5393; E05Y 2600/62; E05C 2005/005; E05C 3/30; E05C 5/00; E05C 9/20; E06B 11/022

See application file for complete search history.

(56) **References Cited**

U.S. PATENT DOCUMENTS

- 3,811,516 A * 5/1974 Thompson A01B 73/044 16/231
- 4,358,871 A * 11/1982 Takai E05D 3/02 16/262
- 4,438,961 A * 3/1984 Grisham E05C 5/00 292/173
- D297,912 S 10/1988 Richards
- D559,079 S 1/2008 Berry et al.
- D649,006 S 11/2011 Johnson et al.
- RE45,710 E 10/2015 Guimaraes

- D744,313 S * 12/2015 Lu D8/323
- D777,554 S 1/2017 Elbaz et al.
- D794,417 S 8/2017 Hogan et al.
- 2014/0007506 A1 1/2014 Huang
- 2017/0268269 A1 9/2017 Nicholas, III et al.
- 2019/0136619 A1 5/2019 Flannery et al.

FOREIGN PATENT DOCUMENTS

- DE 10 2015 113 242 A1 2/2017

OTHER PUBLICATIONS

[No Author Listed] Modilok Design. Two screenshots captured from <https://www.youtube.com/watch?v=maXAt7m86Ng> on Mar. 31, 2021. Youtube video date of Sep. 2, 2015, 2 pages.

* cited by examiner

Primary Examiner — Doris Clark

(74) *Attorney, Agent, or Firm* — Wolf, Greenfield & Sacks, P.C.

(57) **CLAIM**

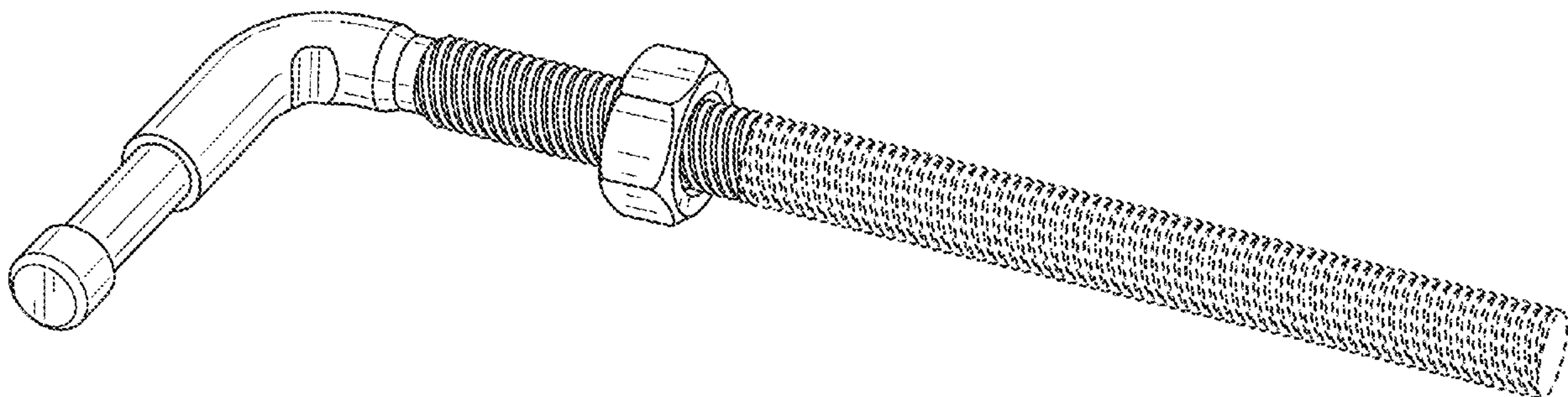
The ornamental design for a hinge bolt, as shown and described.

DESCRIPTION

FIG. 1 is a bottom, front, and right side perspective view of a hinge bolt according to my new design;
 FIG. 2 is a front elevation view thereof;
 FIG. 3 is a rear elevation view thereof;
 FIG. 4 is a left side elevation view thereof;
 FIG. 5 is a right side elevation view thereof;
 FIG. 6 is a top plan view thereof; and,
 FIG. 7 is a bottom plan view thereof.

The long-dash short-dash broken lines represent boundaries of the claimed design and form no part of the claimed design. All other broken lines depict portions of the hinge bolt that form no part of the claimed design.

1 Claim, 5 Drawing Sheets



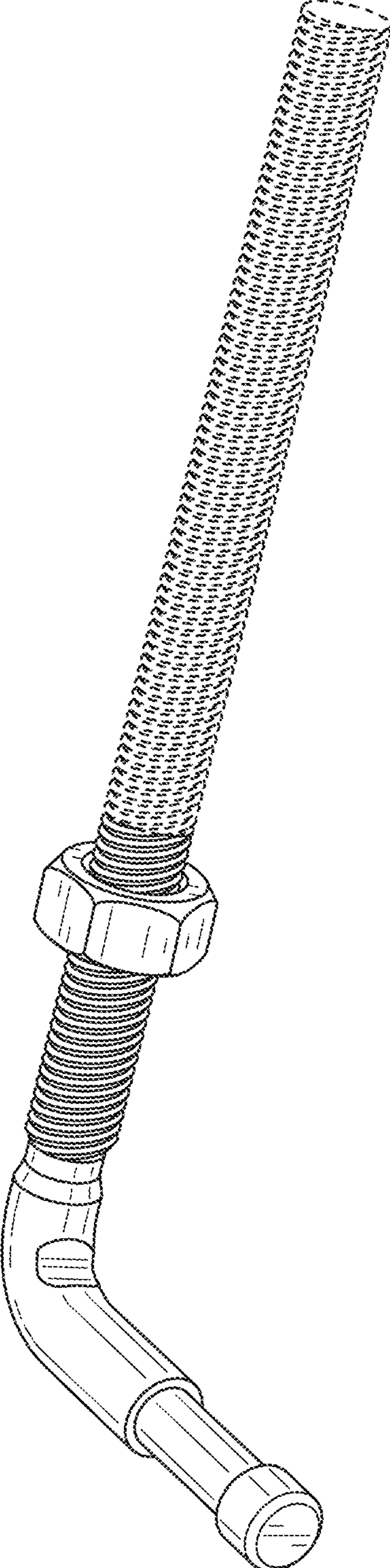


FIG. 1

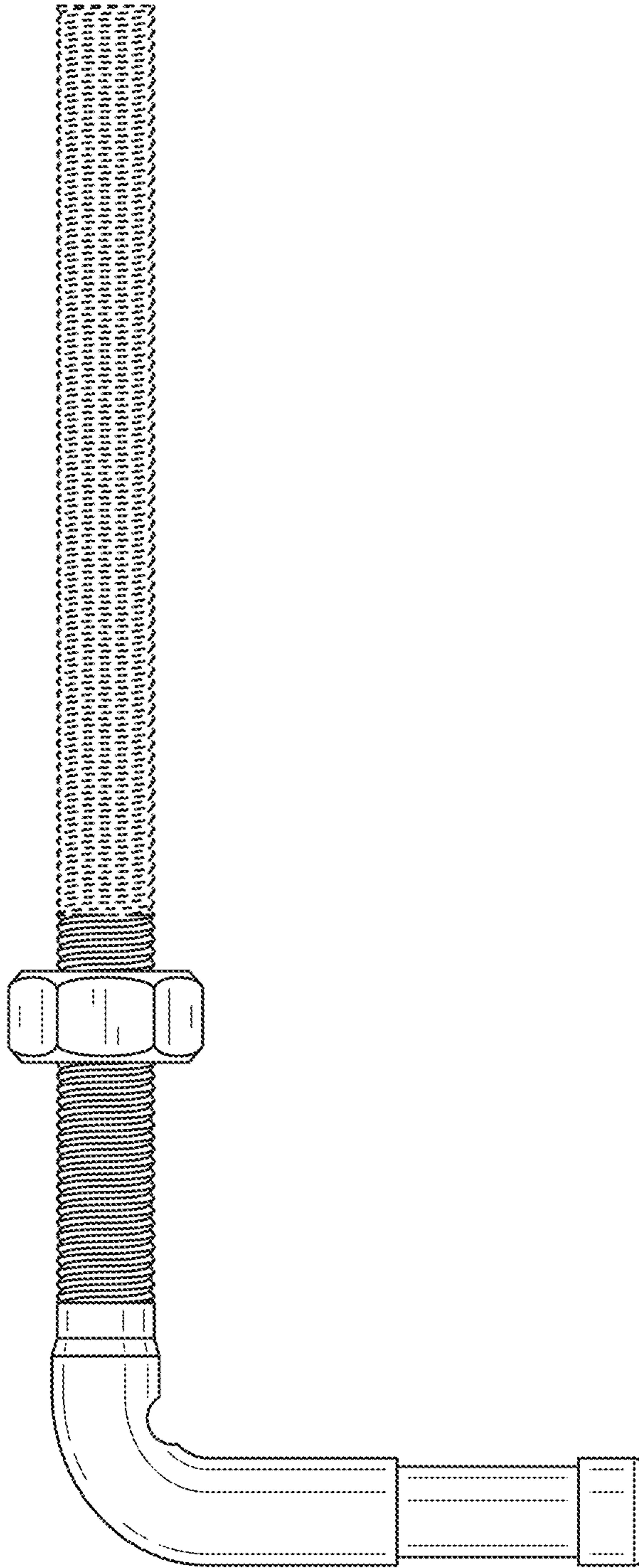


FIG. 2

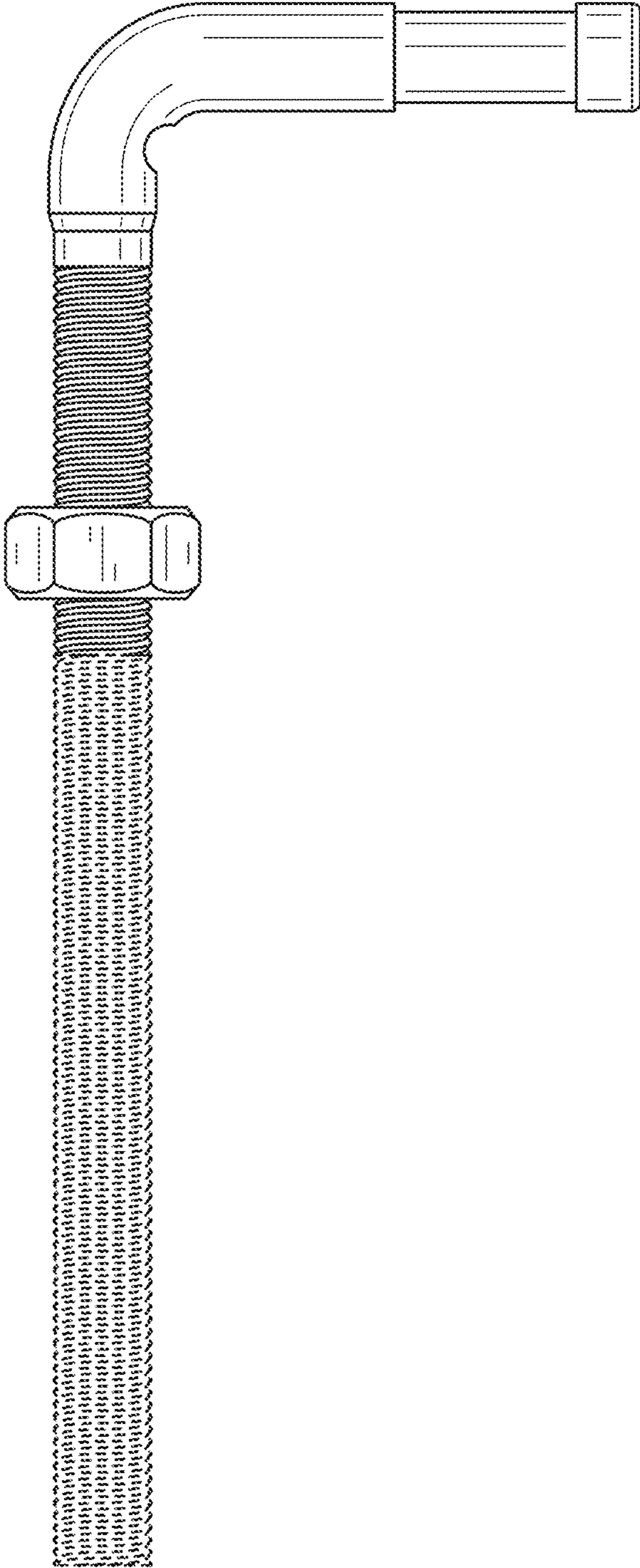


FIG. 3

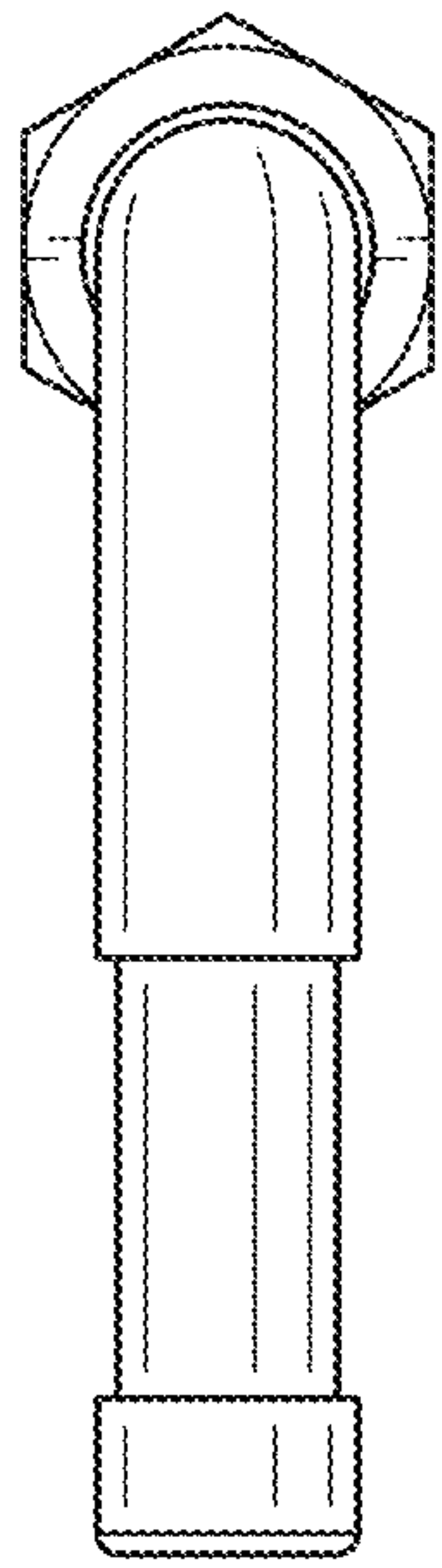


FIG. 4

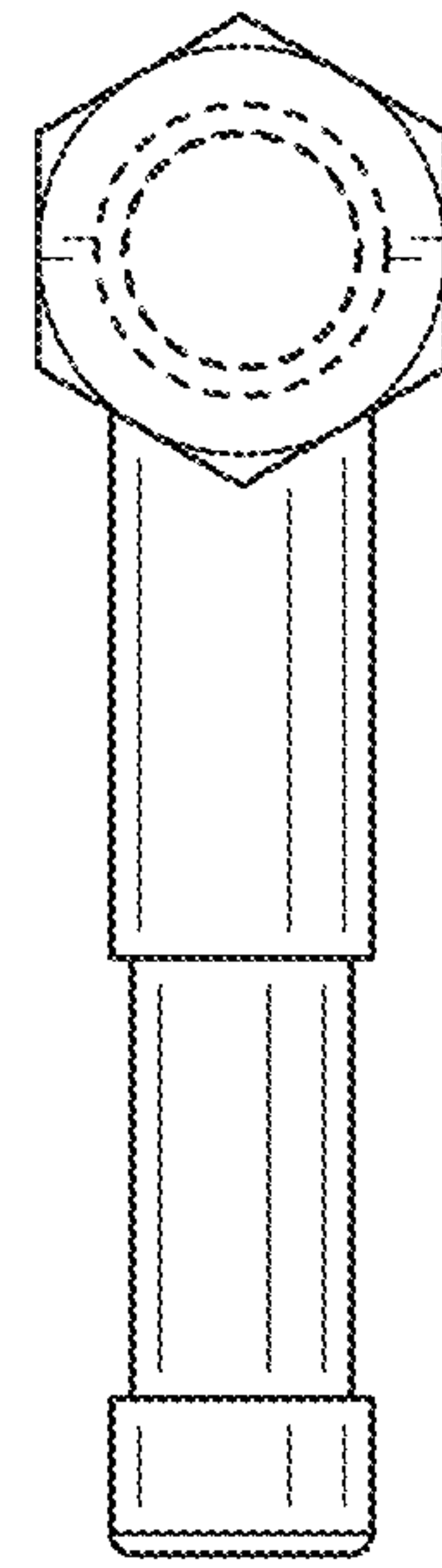


FIG. 5

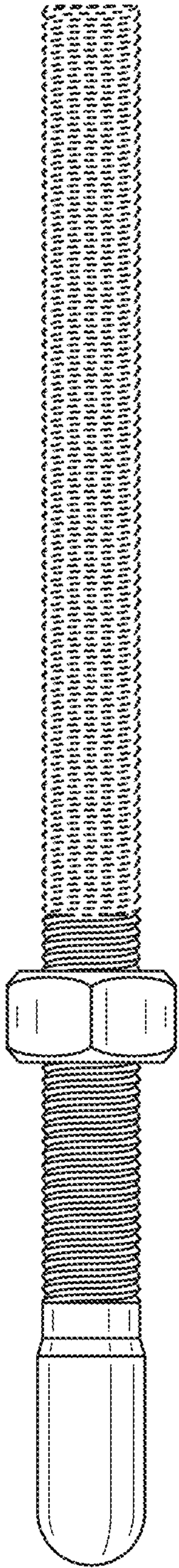


FIG. 6

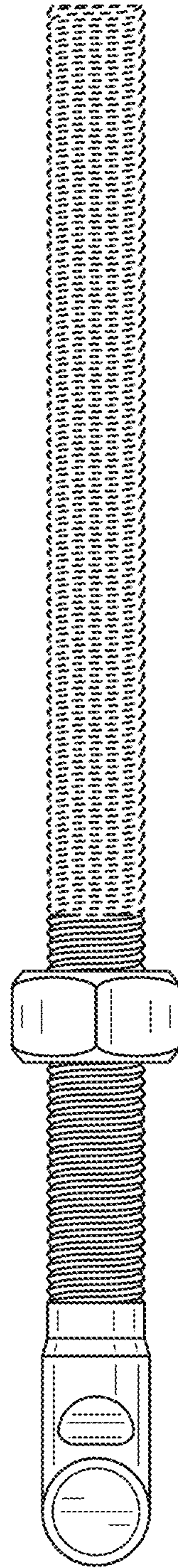


FIG. 7